



US00D573609S

(12) **United States Design Patent**
Bilger

(10) **Patent No.:** **US D573,609 S**
(45) **Date of Patent:** **** Jul. 22, 2008**

(54) **VACUUM PUMP**

D485,565 S * 1/2004 Martinello D15/7
D518,068 S * 3/2006 Rodopoulos D15/7
D558,232 S * 12/2007 Wang D15/7

(75) Inventor: **Théo Bilger**, Helfrantzkirch (FR)

(73) Assignee: **Ateliers Busch SA**, Chevenez (CH)

(**) Term: **14 Years**

* cited by examiner

Primary Examiner—R. Seifert

(74) *Attorney, Agent, or Firm*—Lipsitz & McAllister LLC

(21) Appl. No.: **29/292,583**

(22) Filed: **Oct. 16, 2007**

(57) **CLAIM**

The ornamental design for a vacuum pump, as shown and described.

(30) **Foreign Application Priority Data**

Apr. 26, 2007 (WO) DM/068 902

DESCRIPTION

(51) **LOC (8) Cl.** **15-02**

FIG. 1 is a front, top and right side perspective view showing my design;

(52) **U.S. Cl.** **D15/7**

FIG. 2 is a front, top and left side perspective view of the design;

(58) **Field of Classification Search** D15/7-9;
D23/231, 232, 225; 417/410.1, 359, 415-416,
417/234, 321, 265, 405

FIG. 3 is a top plan view of the design;

See application file for complete search history.

FIG. 4 is left side elevational view of the design;

FIG. 5 is a front elevational view of the design;

(56) **References Cited**

U.S. PATENT DOCUMENTS

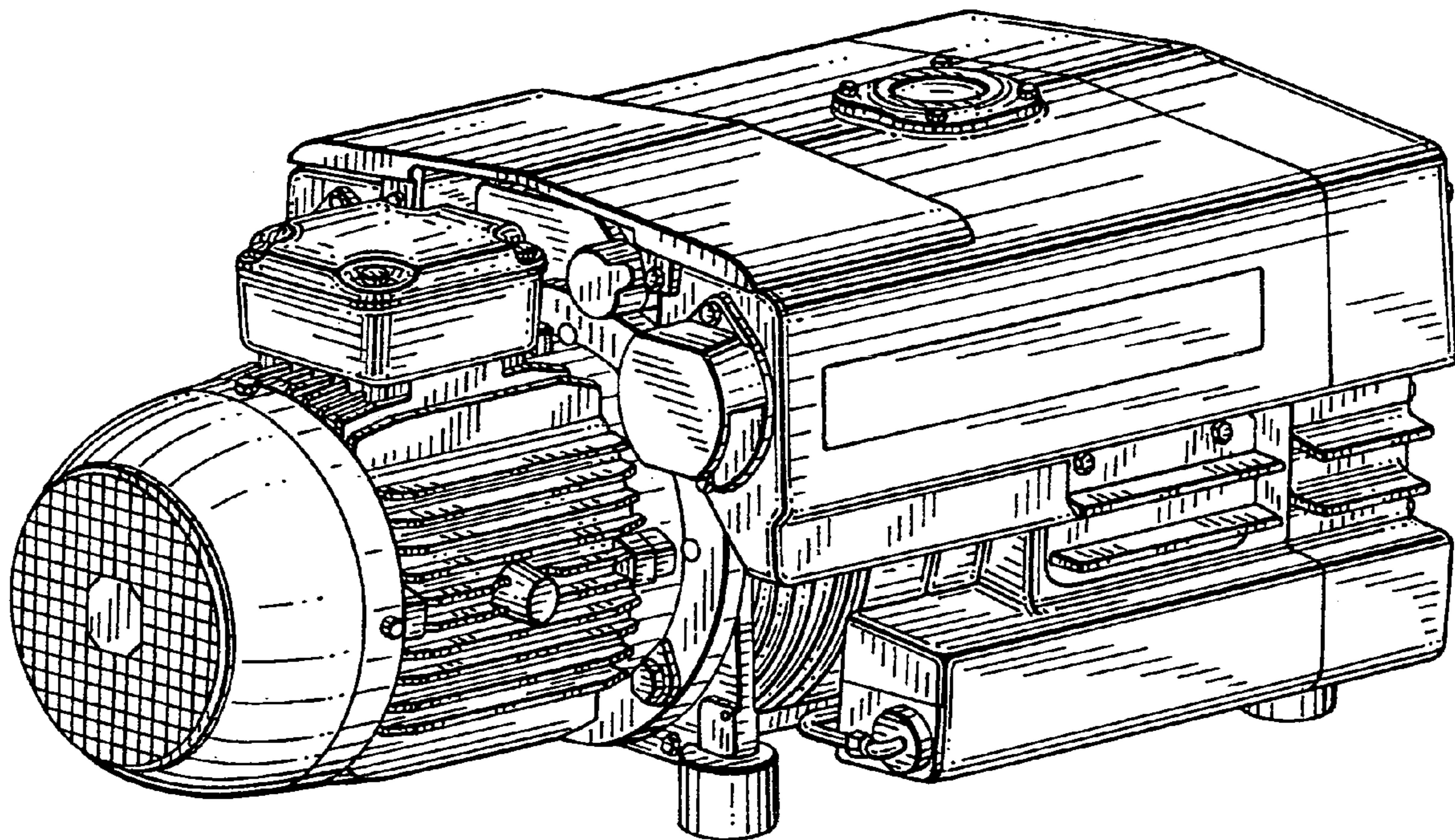
D263,302 S * 3/1982 Terajima et al. D15/7
D328,304 S * 7/1992 Frohn et al. D15/7
D339,144 S * 9/1993 Cline, Sr. D15/7
D450,327 S * 11/2001 Mori et al. D15/7

FIG. 6 is a rear elevational view of the design;

FIG. 7 is a right side elevational view of the design; and,

FIG. 8 is a bottom plan view of the design.

1 Claim, 8 Drawing Sheets



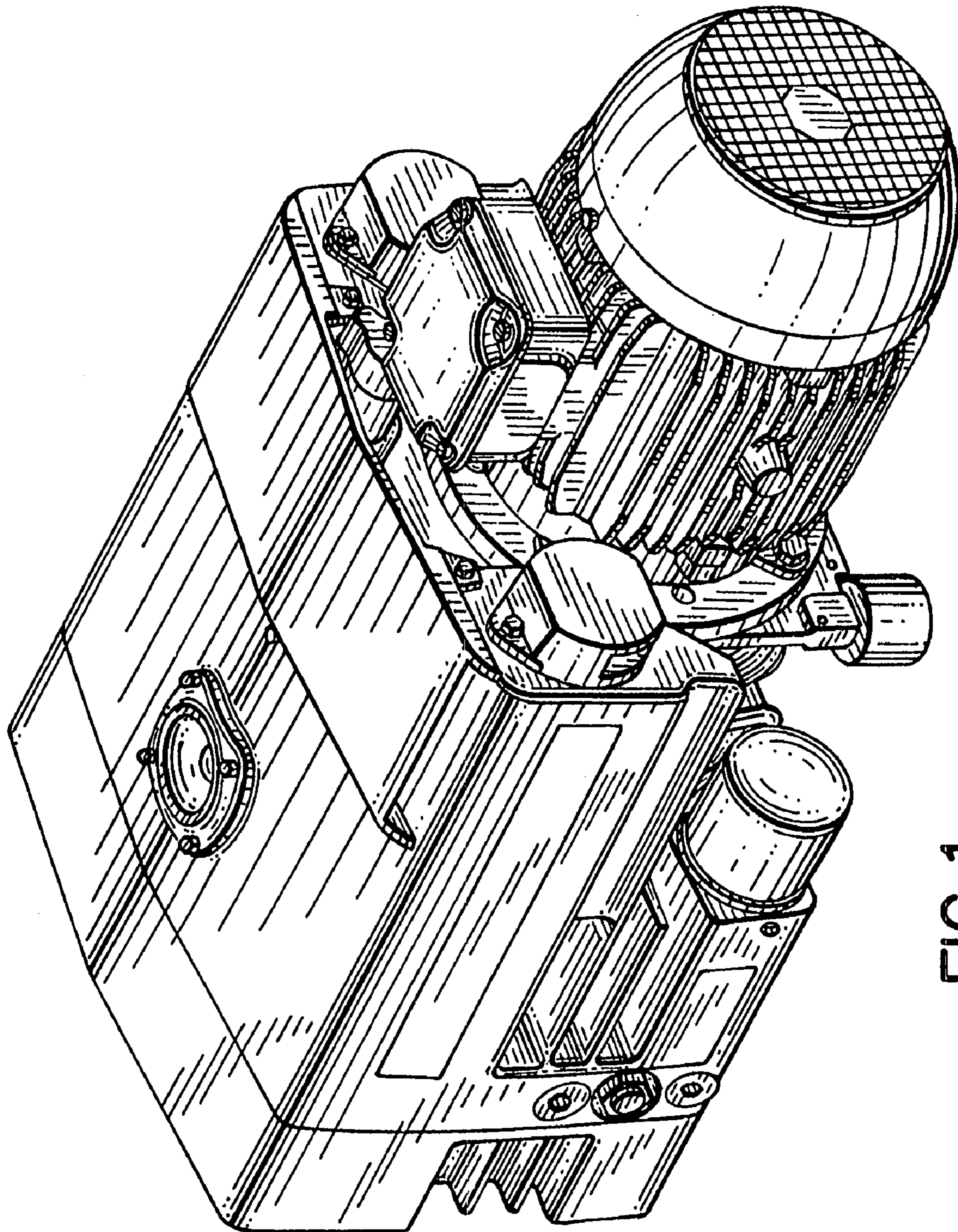


FIG. 1

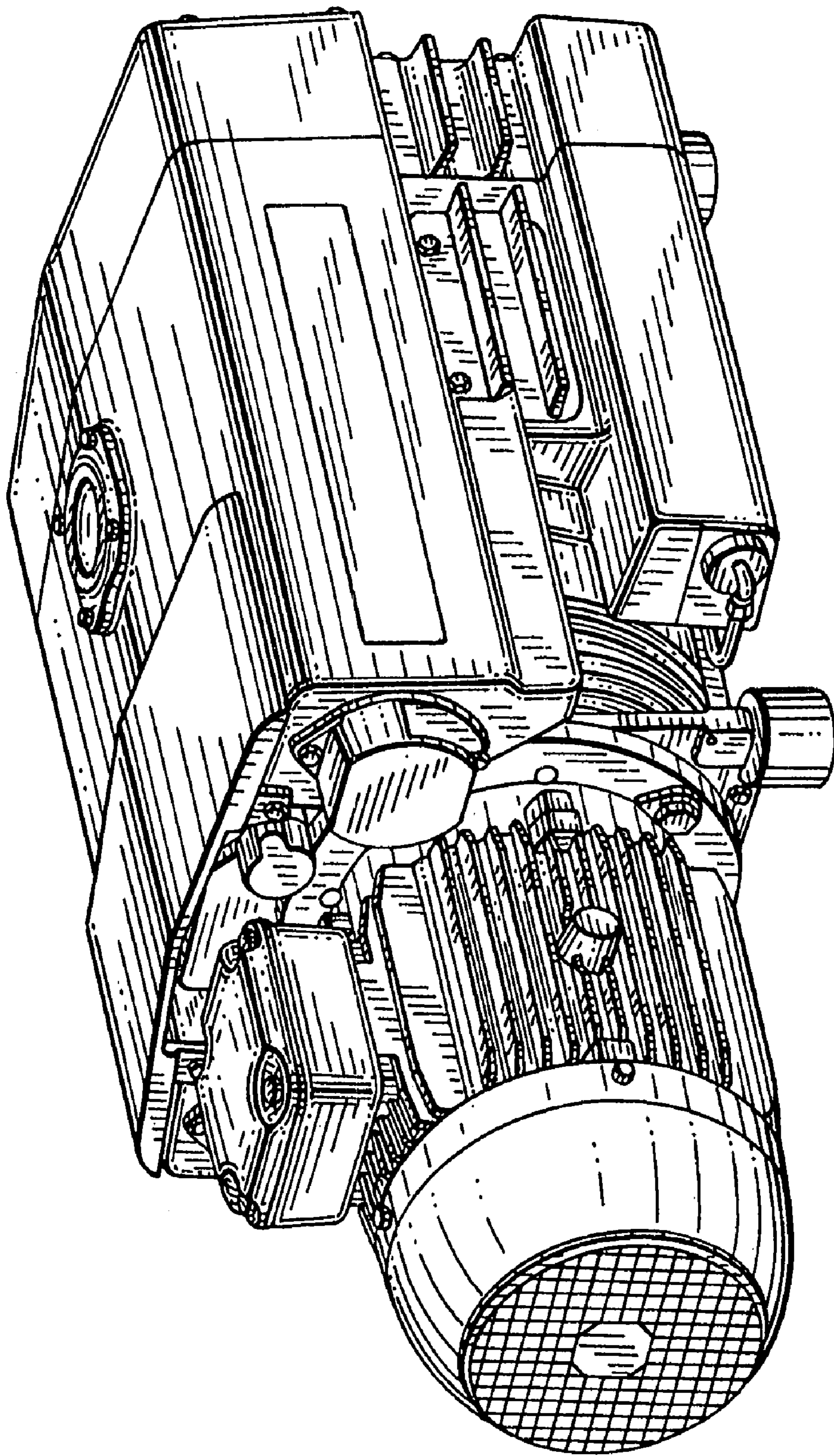


FIG.2

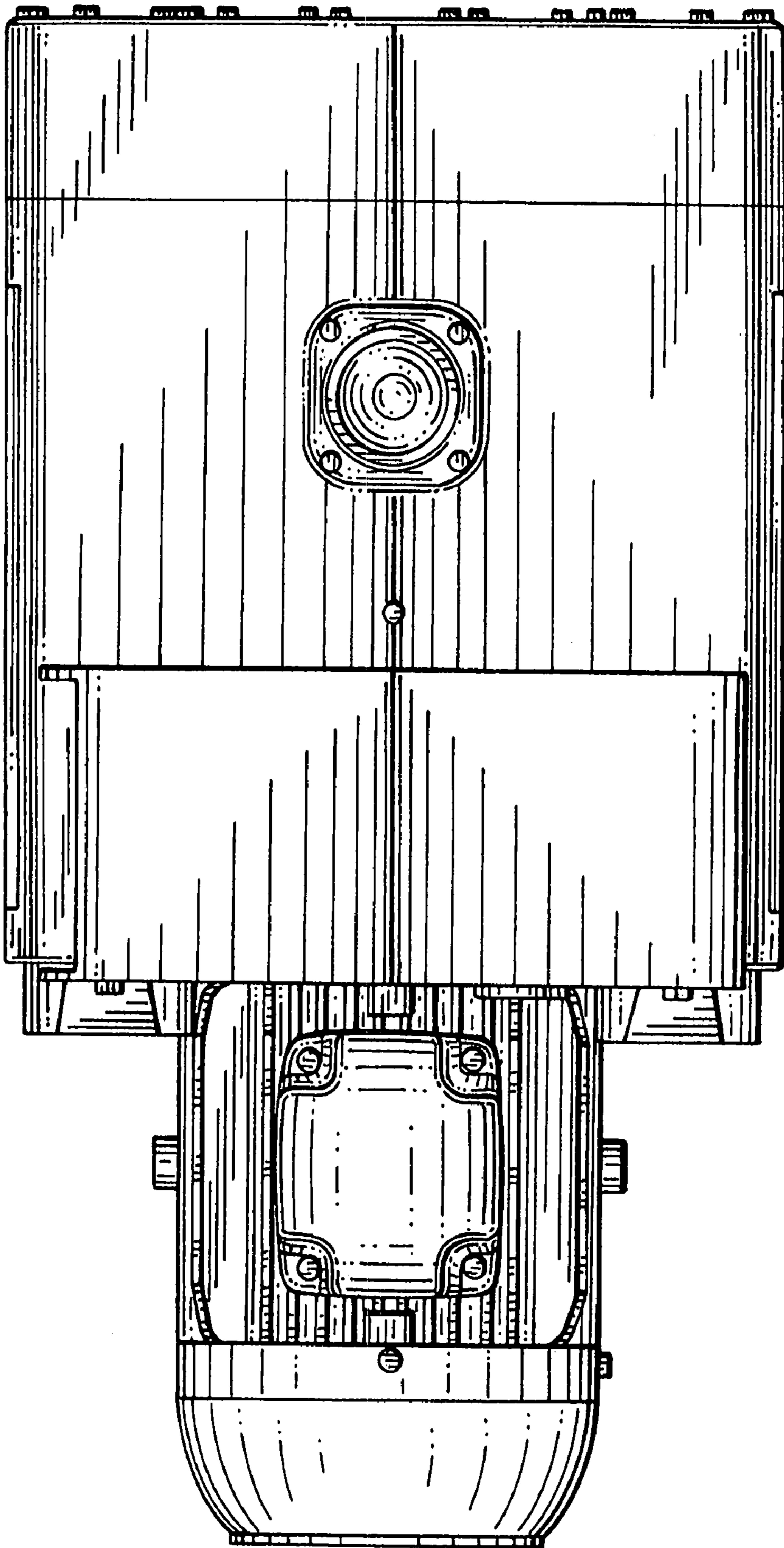


FIG.3

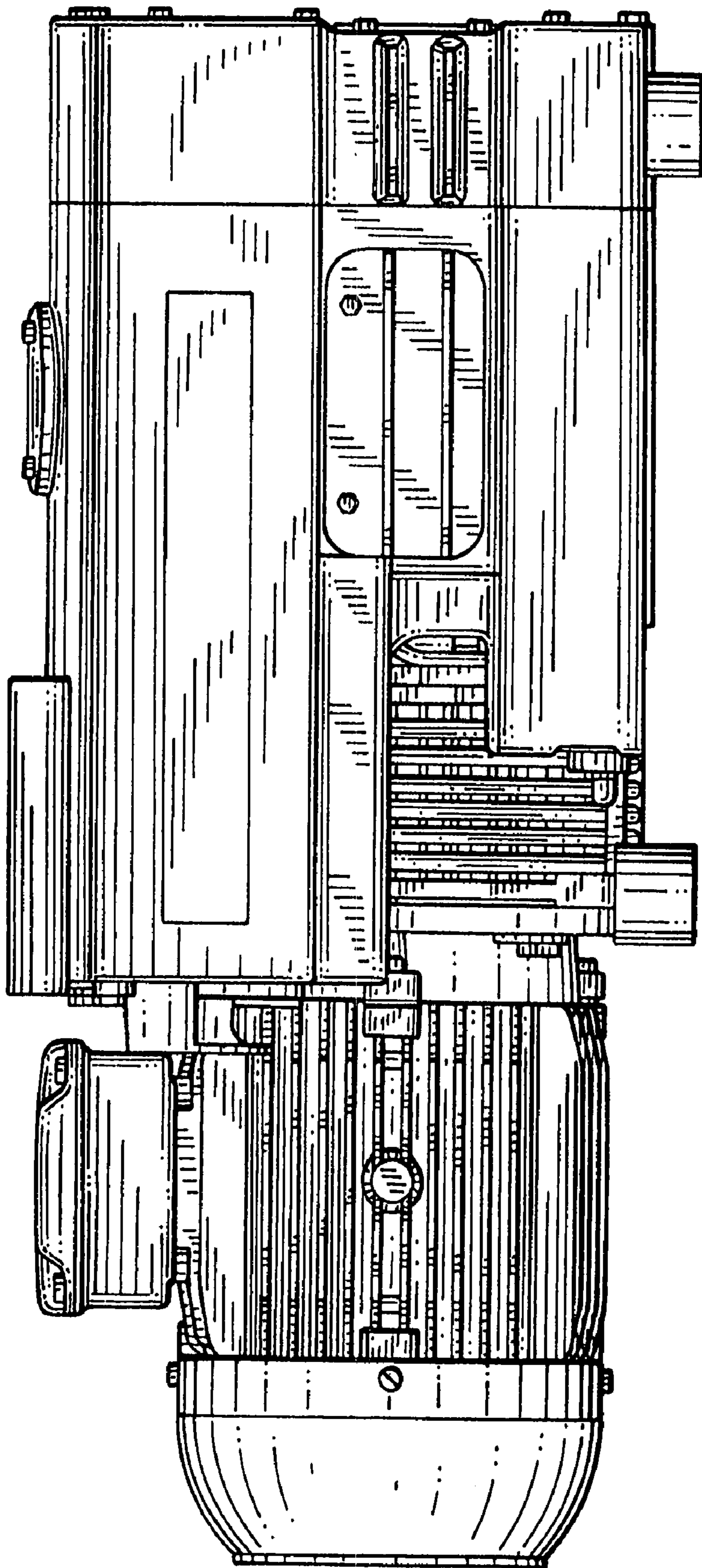


FIG.4

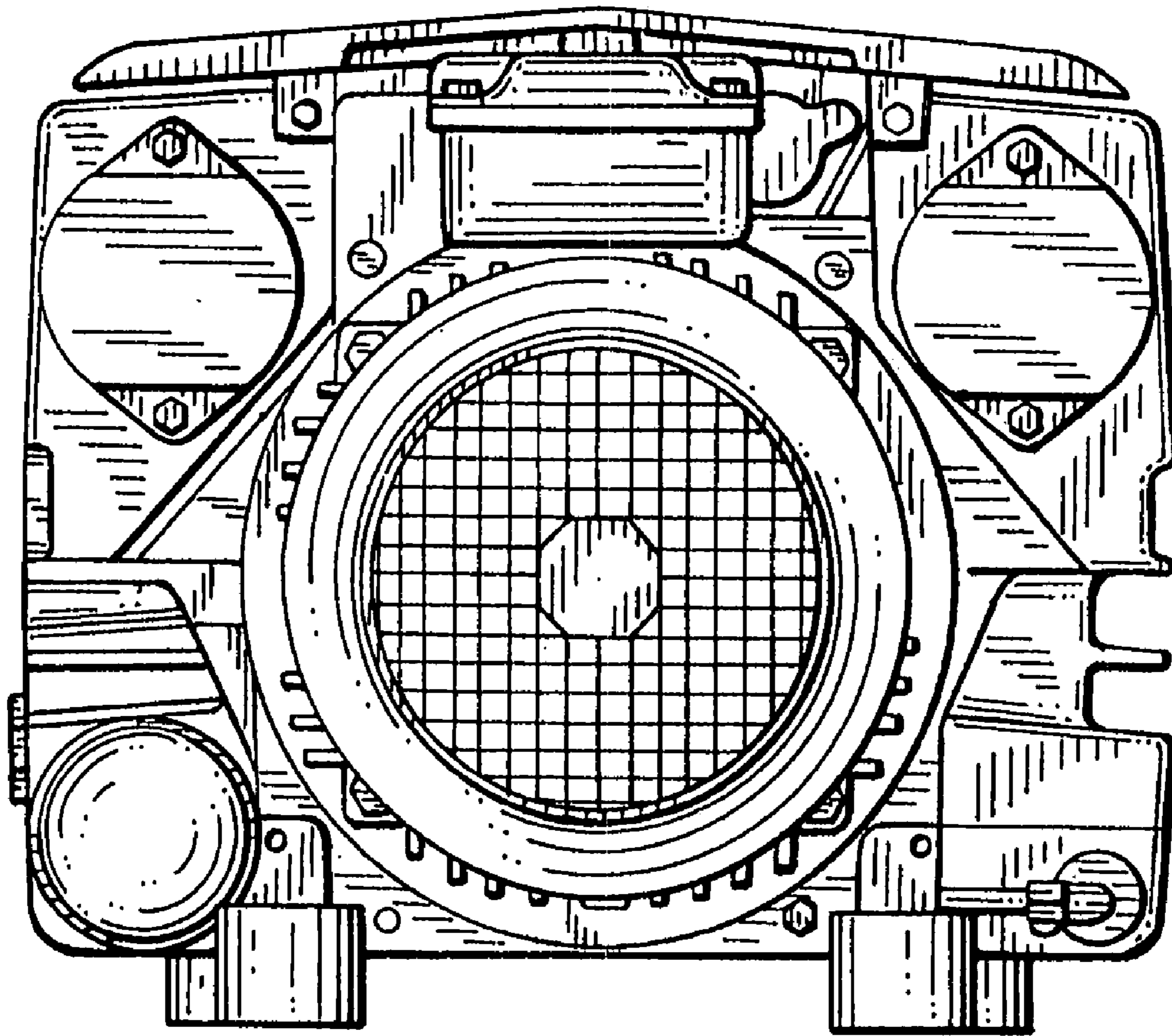


FIG.5

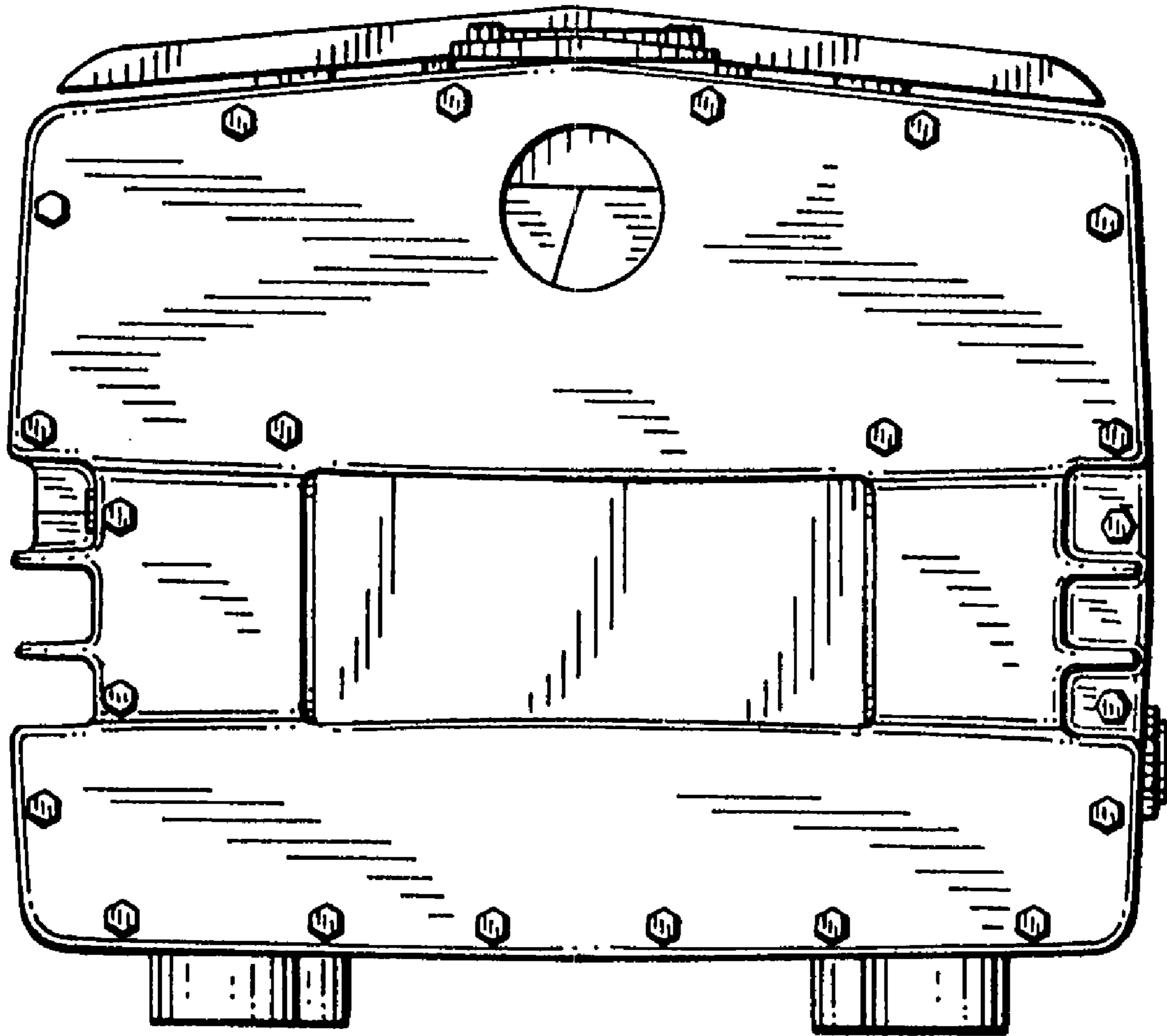


FIG.6

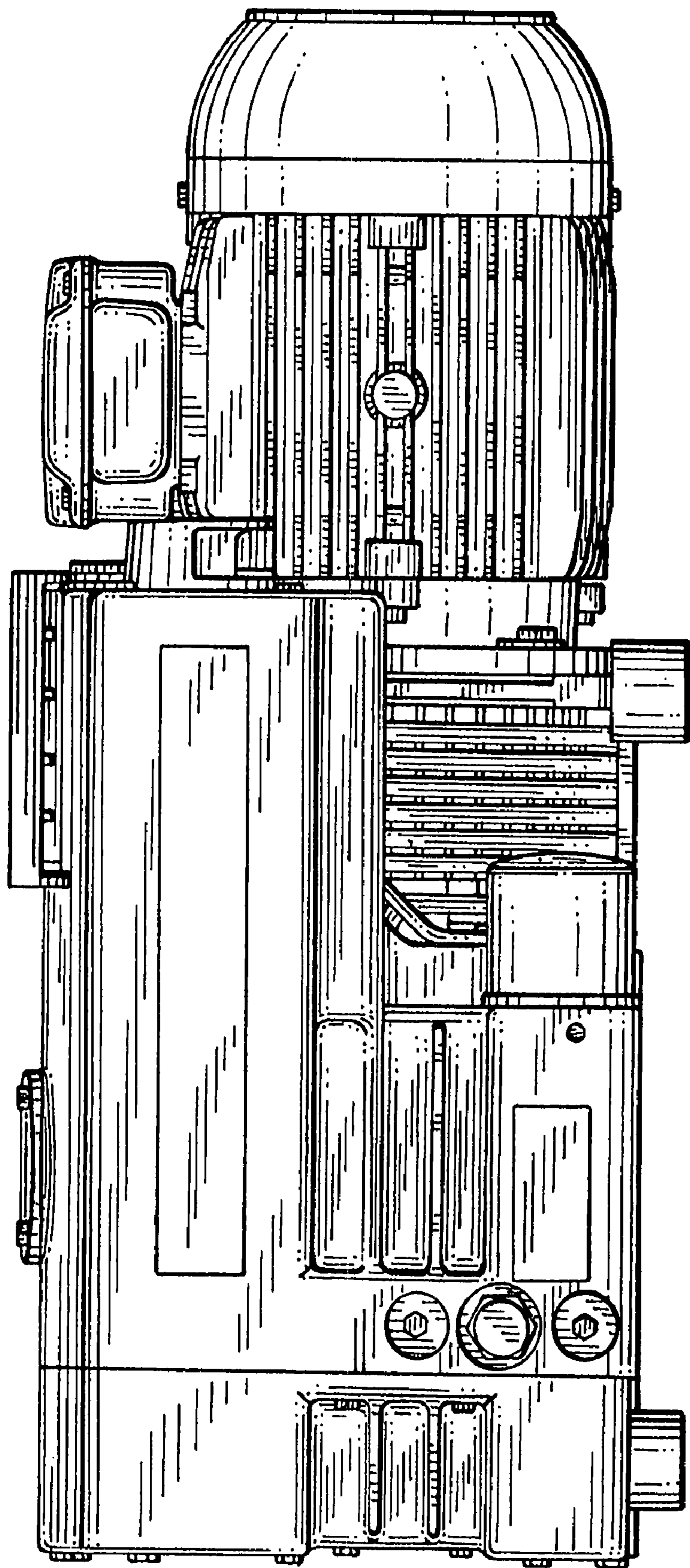


FIG.7

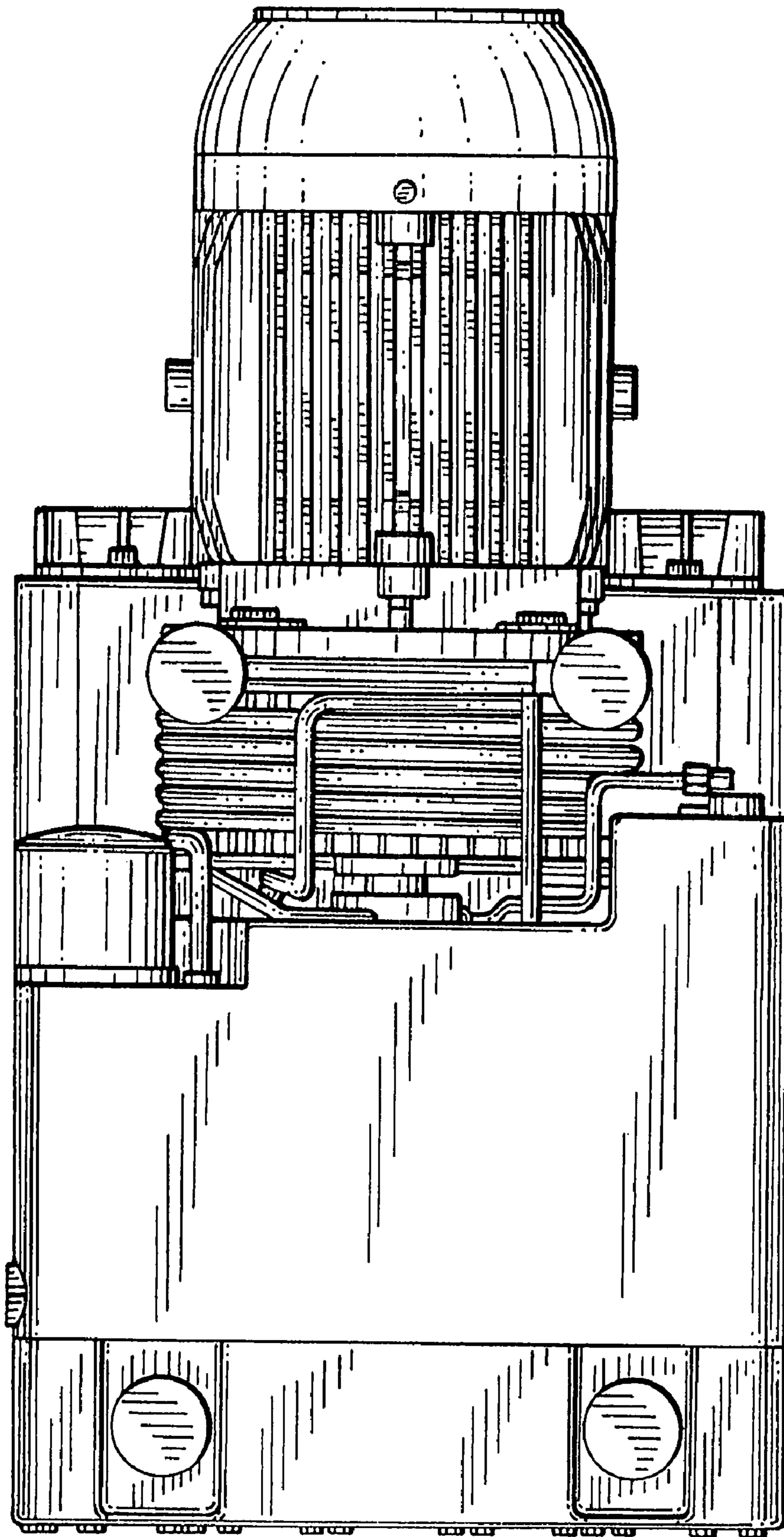


FIG. 8