



US00D573608S

(12) **United States Design Patent**
Chan et al.

(10) **Patent No.:** **US D573,608 S**

(45) **Date of Patent:** **** Jul. 22, 2008**

(54) **HYDRAULIC PUMP**

D499,426 S * 12/2004 Chou D15/7
D536,348 S * 2/2007 Bass D15/9
D536,708 S * 2/2007 Bass D15/9

(75) Inventors: **Kay Lap Gilbert Chan**, Madison, WI (US); **Theo H. H. den Ridder**, Oosterhout (NL); **Bruce E. Knuth**, Marshall, WI (US); **Daniel R. Nett**, Sun Prairie, WI (US); **Douglas S. Rodenkirch**, Sun Prairie, WI (US); **William C. Lindeman**, Marshall, WI (US)

* cited by examiner

Primary Examiner—R. Seifert
(74) *Attorney, Agent, or Firm*—Quarles & Brady LLP

(73) Assignee: **Actuant Corporation**, Butler, WI (US)

(57) **CLAIM**

The ornamental design for a hydraulic pump, as shown and described.

(**) Term: **14 Years**

DESCRIPTION

(21) Appl. No.: **29/279,593**

FIG. 1 is a perspective view of a hydraulic pump showing our new design;

(22) Filed: **May 3, 2007**

FIG. 2 is a front side elevational view thereof;

(51) **LOC (8) Cl.** **15-02**

(52) **U.S. Cl.** **D15/7**

(58) **Field of Classification Search** D15/7-9;
D23/231, 232, 225; 417/410.1, 359, 415-416,
417/234, 321, 265, 405

FIG. 3 is a right side elevational view thereof;

FIG. 4 is a rear side elevational view thereof;

FIG. 5 is a left side elevational view thereof;

FIG. 6 is a top side elevational view thereof; and,

FIG. 7 is a bottom side elevational view thereof.

See application file for complete search history.

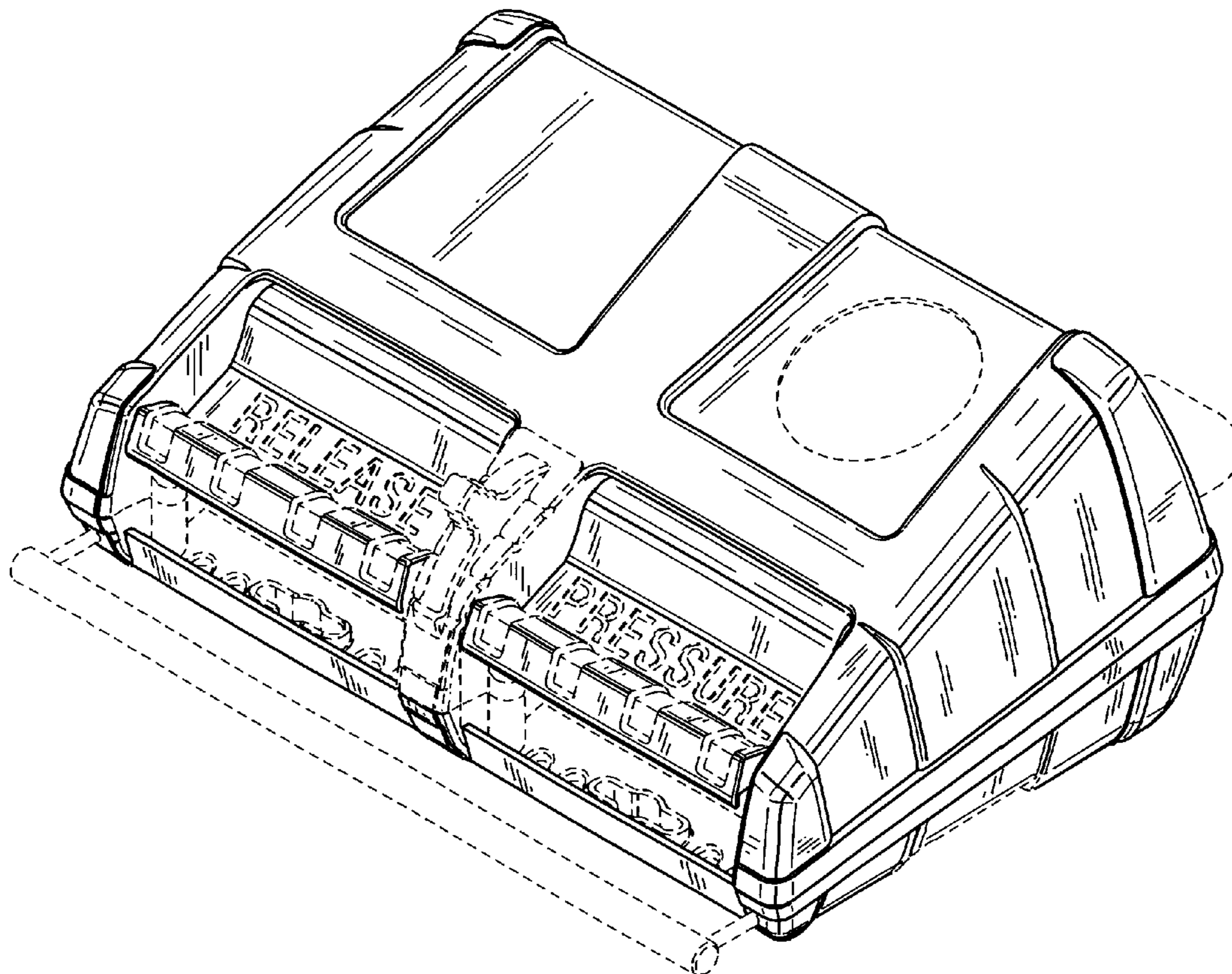
It being understood that the broken lines in FIGS. 1-7 are for illustrative purposes only and form no part of the claimed design.

(56) **References Cited**

U.S. PATENT DOCUMENTS

D434,048 S * 11/2000 Orschell et al. D15/9

1 Claim, 7 Drawing Sheets



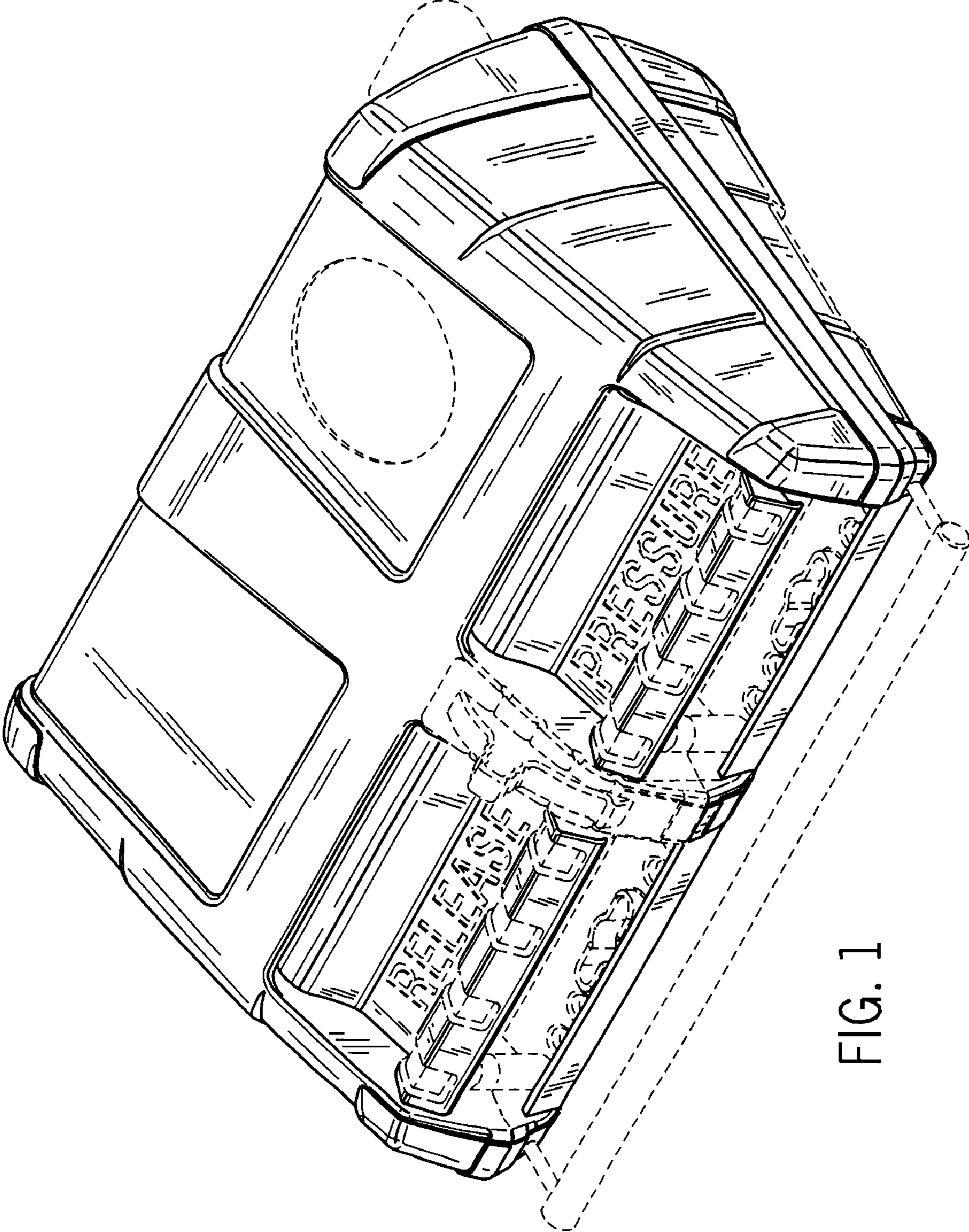


FIG. 1

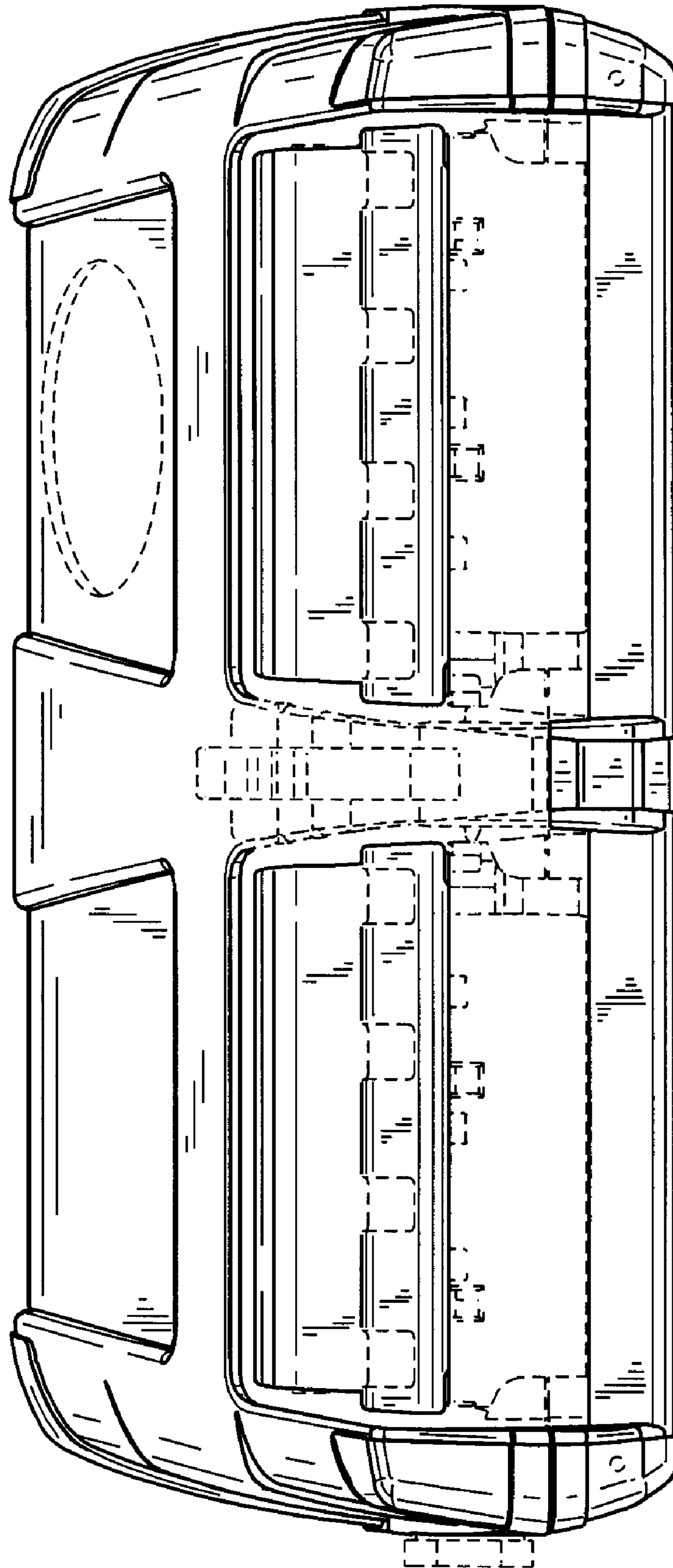


FIG. 2

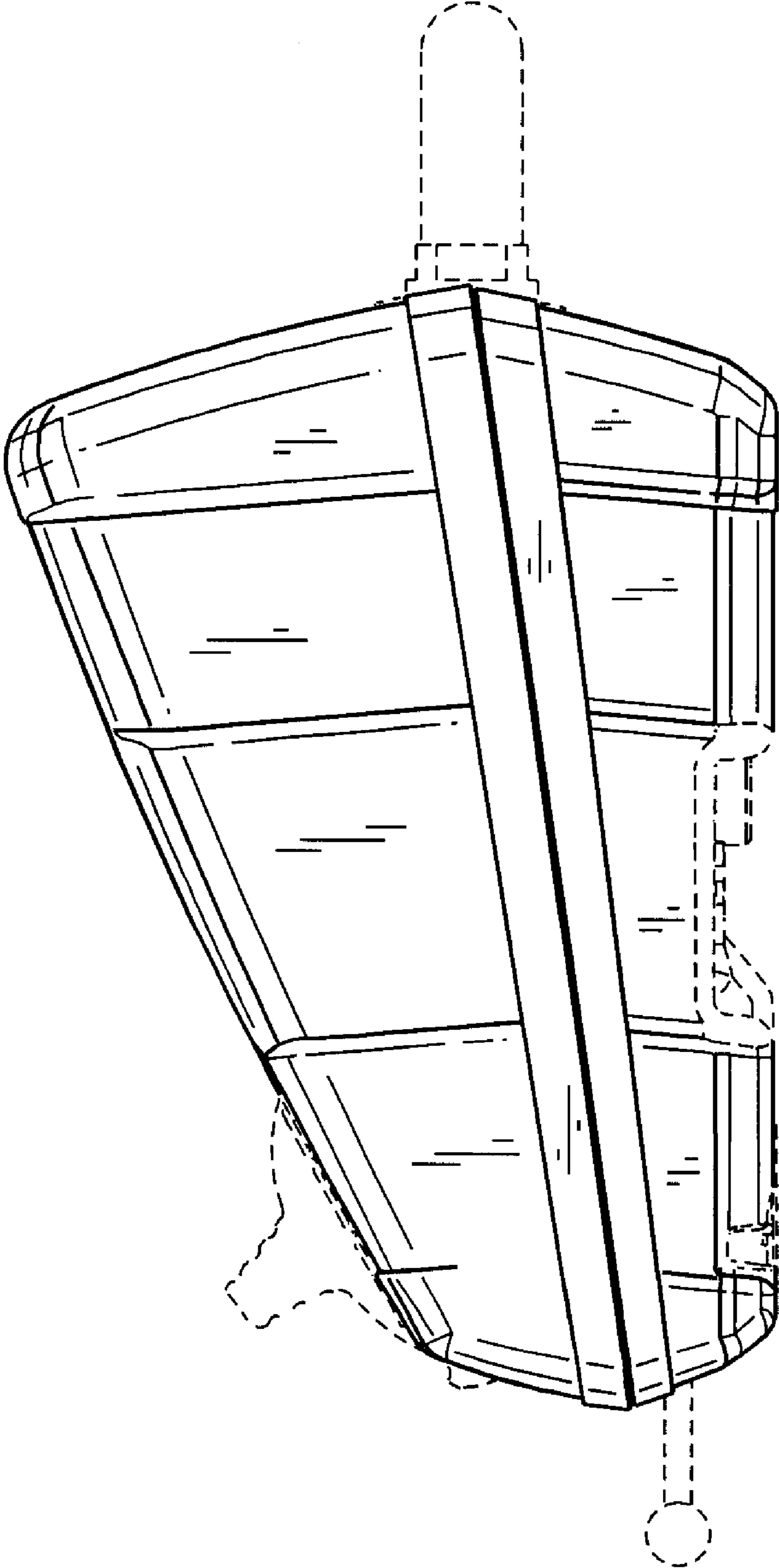


FIG. 3

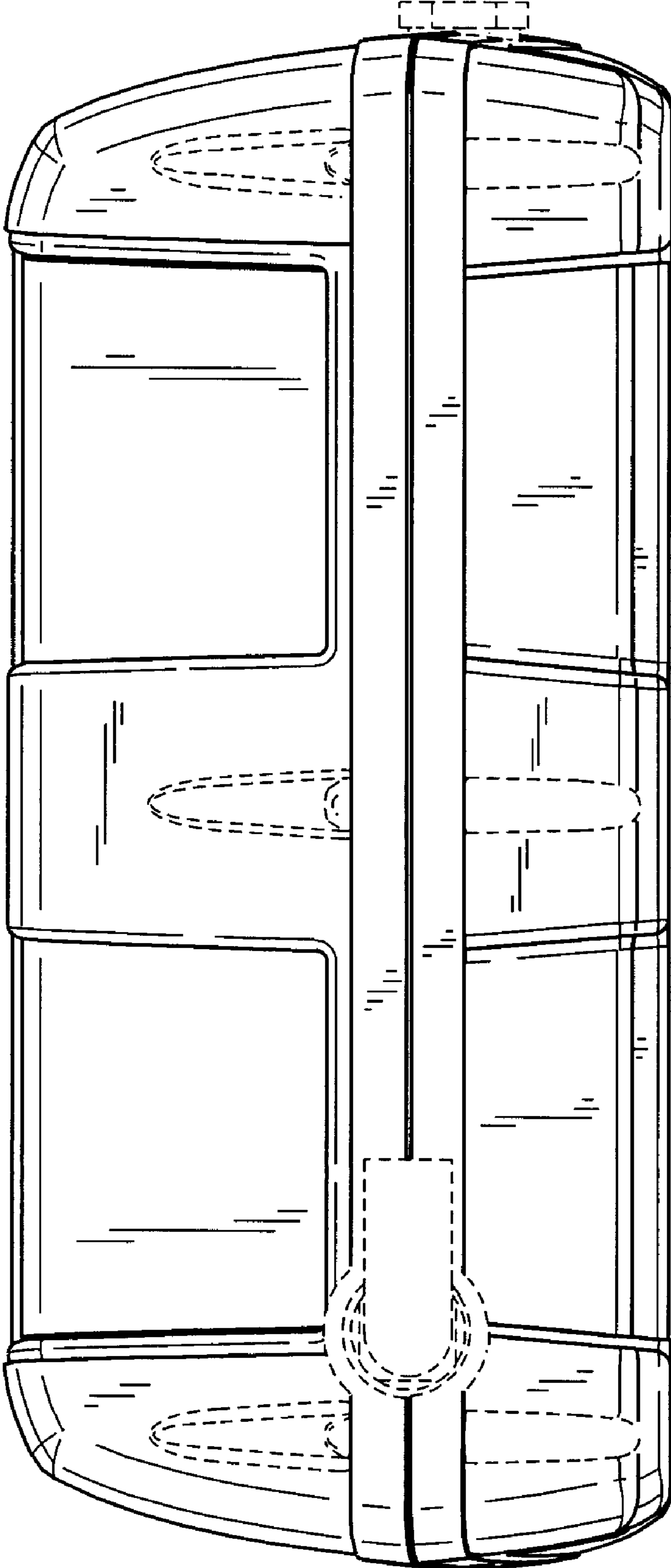


FIG. 4

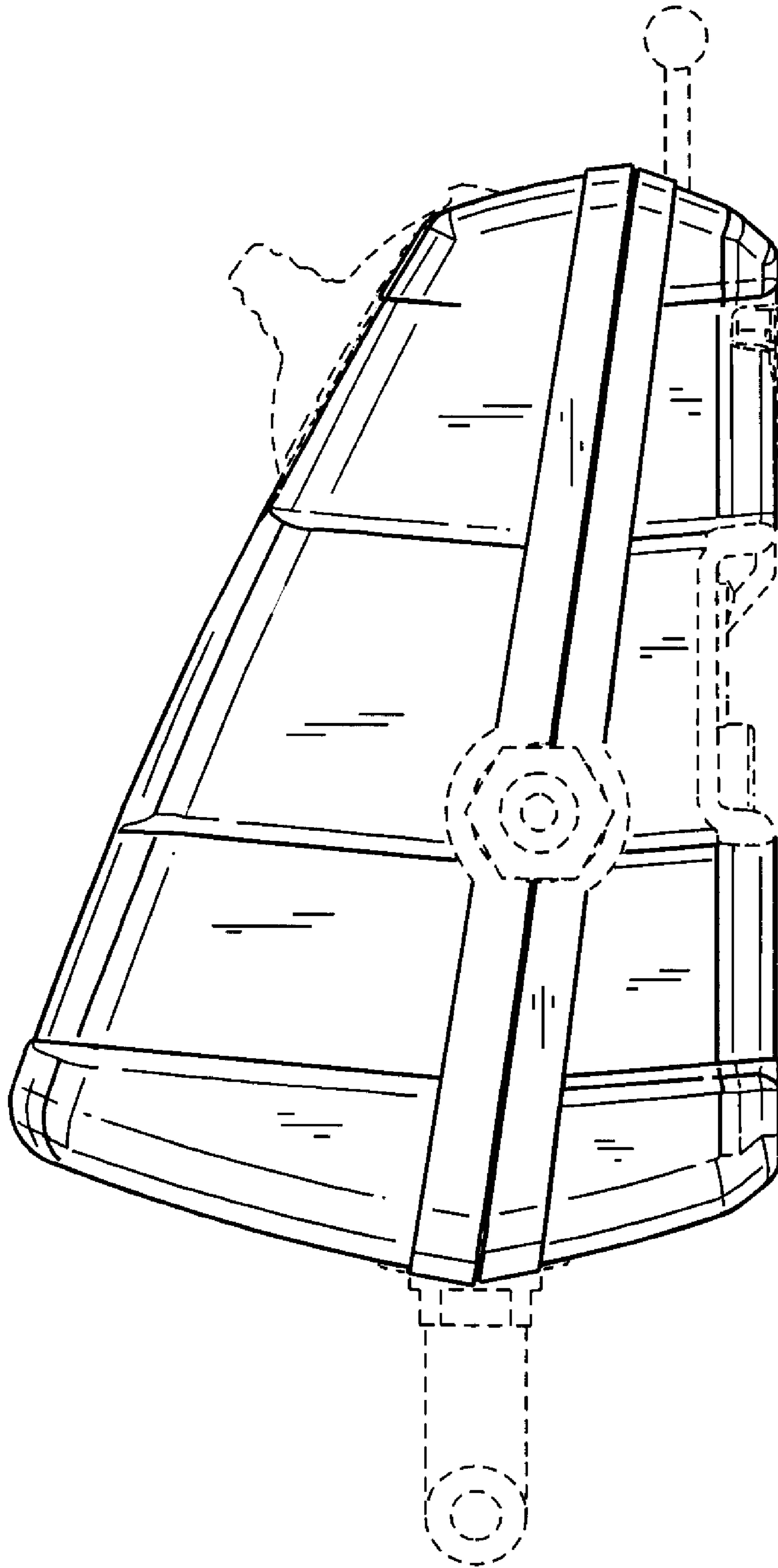


FIG. 5

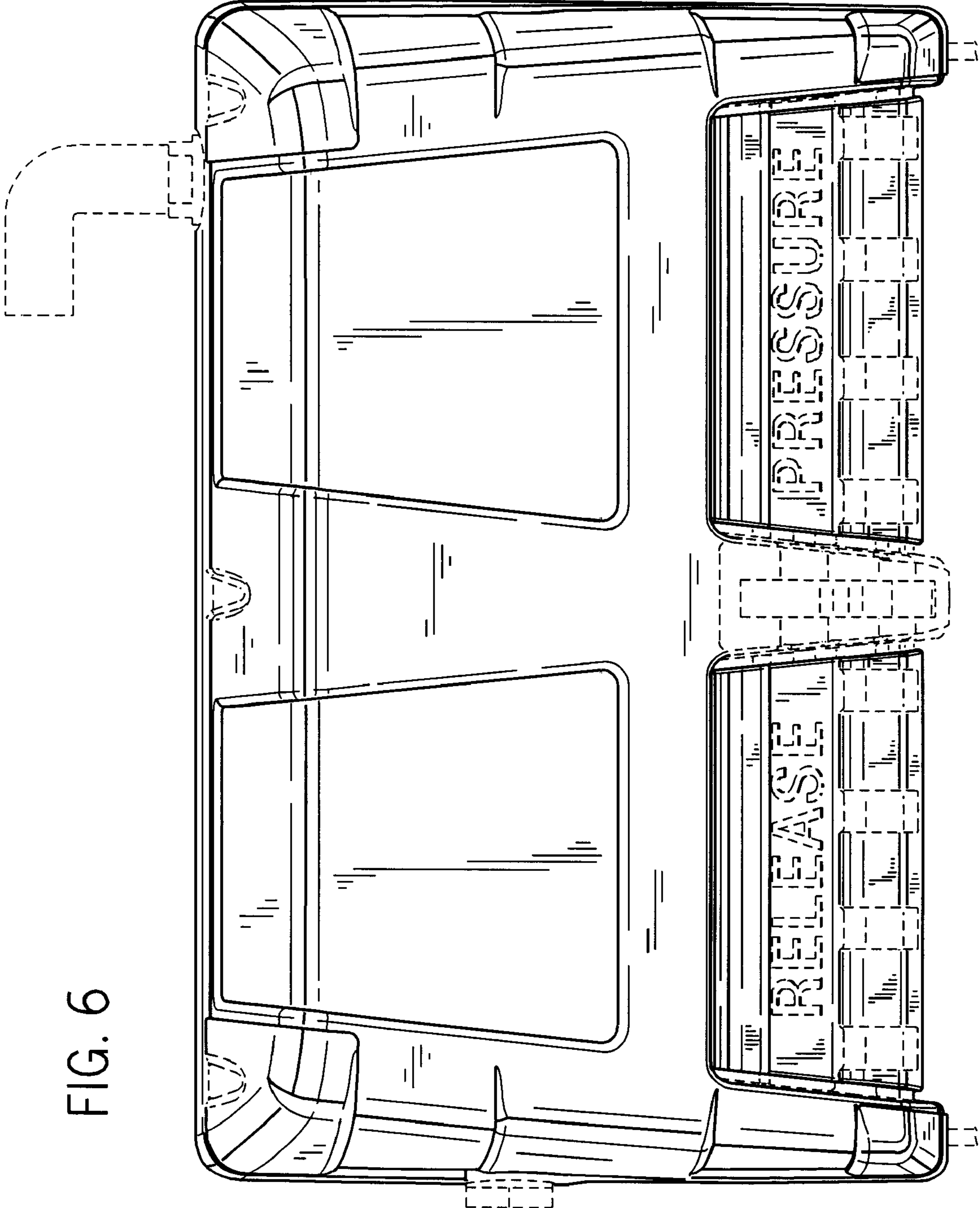


FIG. 6

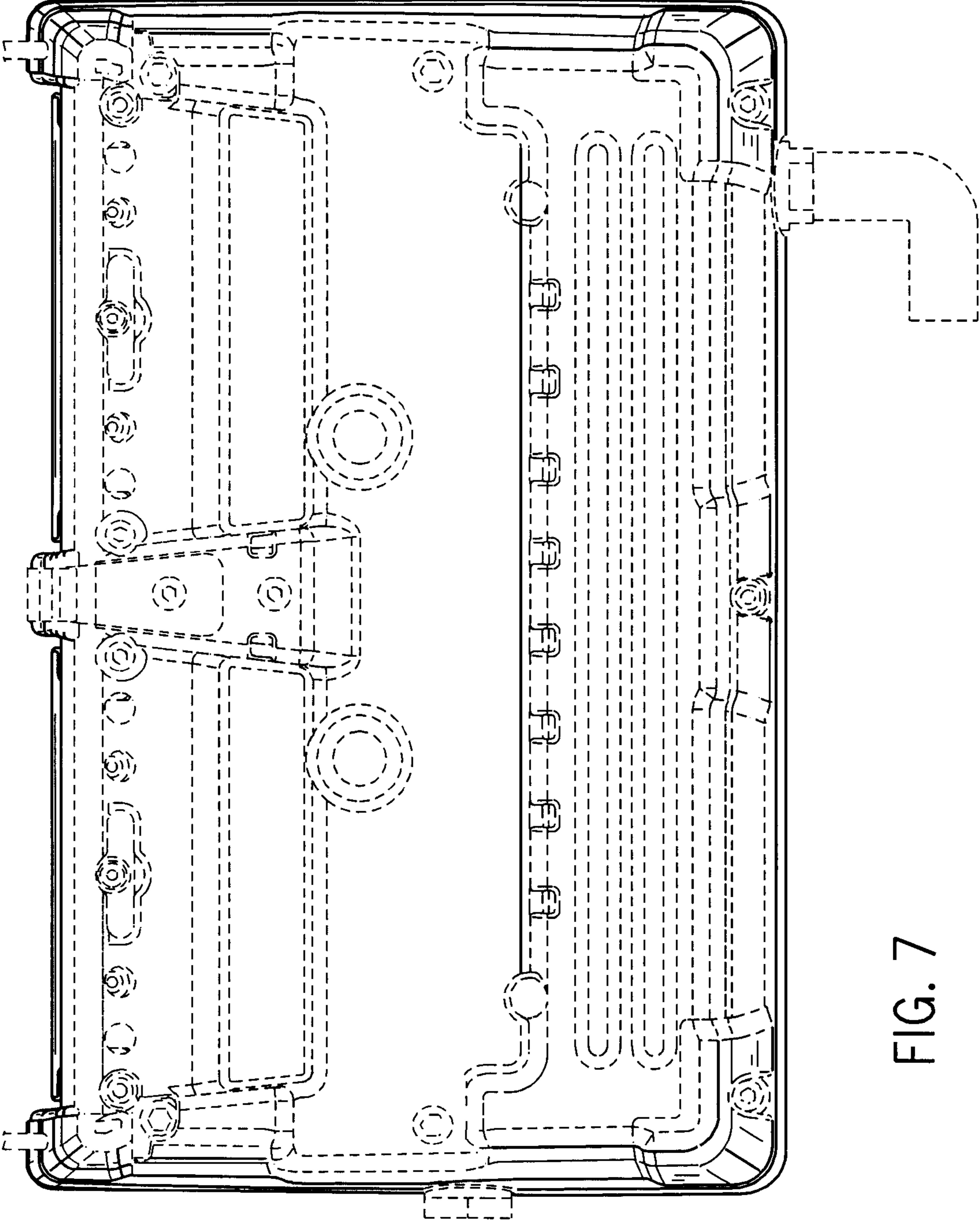


FIG. 7