



US00D573607S

(12) **United States Design Patent**
Bülter

(10) **Patent No.:** **US D573,607 S**
(45) **Date of Patent:** **** Jul. 22, 2008**

(54) **WATER PUMP**

D558,232 S * 12/2007 Wang D15/7

(75) Inventor: **Christoph Bülter**, Hörstel-Riesenbeck
(DE)

* cited by examiner

Primary Examiner—R. Seifert

(73) Assignee: **OASE GmbH**, Hörstel-Riesenbeck (DE)

(74) *Attorney, Agent, or Firm*—Gudrun E. Huckett

(**) Term: **14 Years**

(57) **CLAIM**

(21) Appl. No.: **29/276,820**

The ornamental design for a water pump, as shown and described.

(22) Filed: **Feb. 7, 2007**

DESCRIPTION

(30) **Foreign Application Priority Data**

Aug. 7, 2006 (EM) 000 573 605

FIG. 1 is a perspective view of my water pump from the front;

FIG. 2 is a side view of the left side of my water pump;

(51) **LOC (8) Cl.** **02-07**

FIG. 3 is a side view of the right side of my water pump;

(52) **U.S. Cl.** **D15/7**

FIG. 4 is an end view of the front of my water pump;

(58) **Field of Classification Search** D15/7-9;
D23/231, 232, 225; 417/410.1, 359, 415-416,
417/234, 321, 265, 405

FIG. 5 is an end view of the rear of my water pump;

FIG. 6 is a top plan view of my water pump; and,

See application file for complete search history.

FIG. 7 is a bottom view of my water pump.

(56) **References Cited**

The drawings show in FIGS. 1, 2, 3, 6, 7 at the front end of my

water pump a screen that appears solid black or almost solid

black. FIGS. 2 and 3 show the mesh structure of the screen

that, when viewed at certain angles, appears to be a solid

surface. The FIGS. 2 and 3 show the elements arranged in the

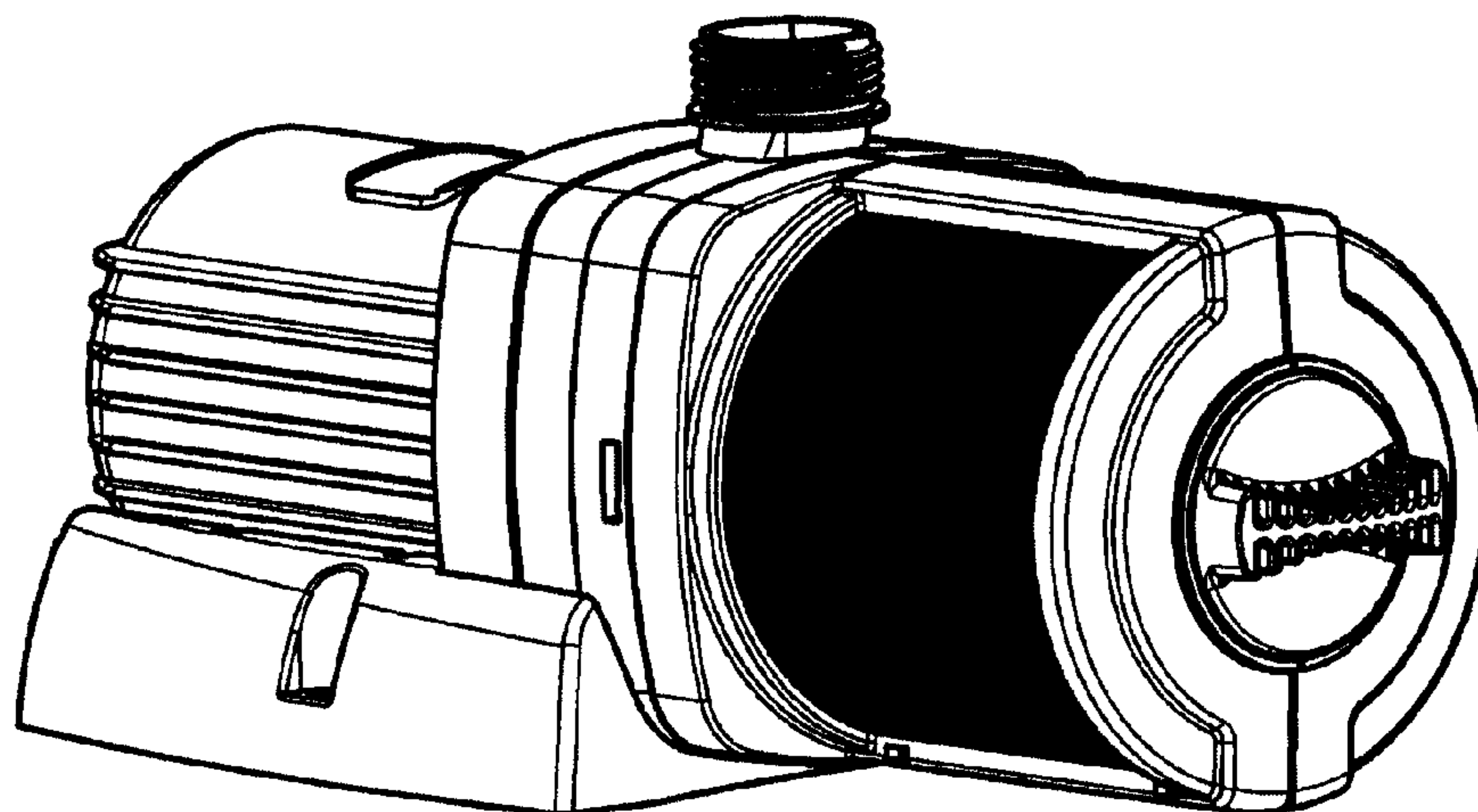
interior of the screen of my water pump; these elements are

not part of the design of my water pump.

U.S. PATENT DOCUMENTS

D215,885 S	*	11/1969	Svenson	D15/7
D372,719 S	*	8/1996	Jensen	D15/7
D447,148 S	*	8/2001	Antony et al.	D15/7
D471,561 S	*	3/2003	Kohsaka	D15/7
D485,565 S	*	1/2004	Martinello	D15/7
D558,230 S	*	12/2007	Vivar et al.	D15/7

1 Claim, 7 Drawing Sheets



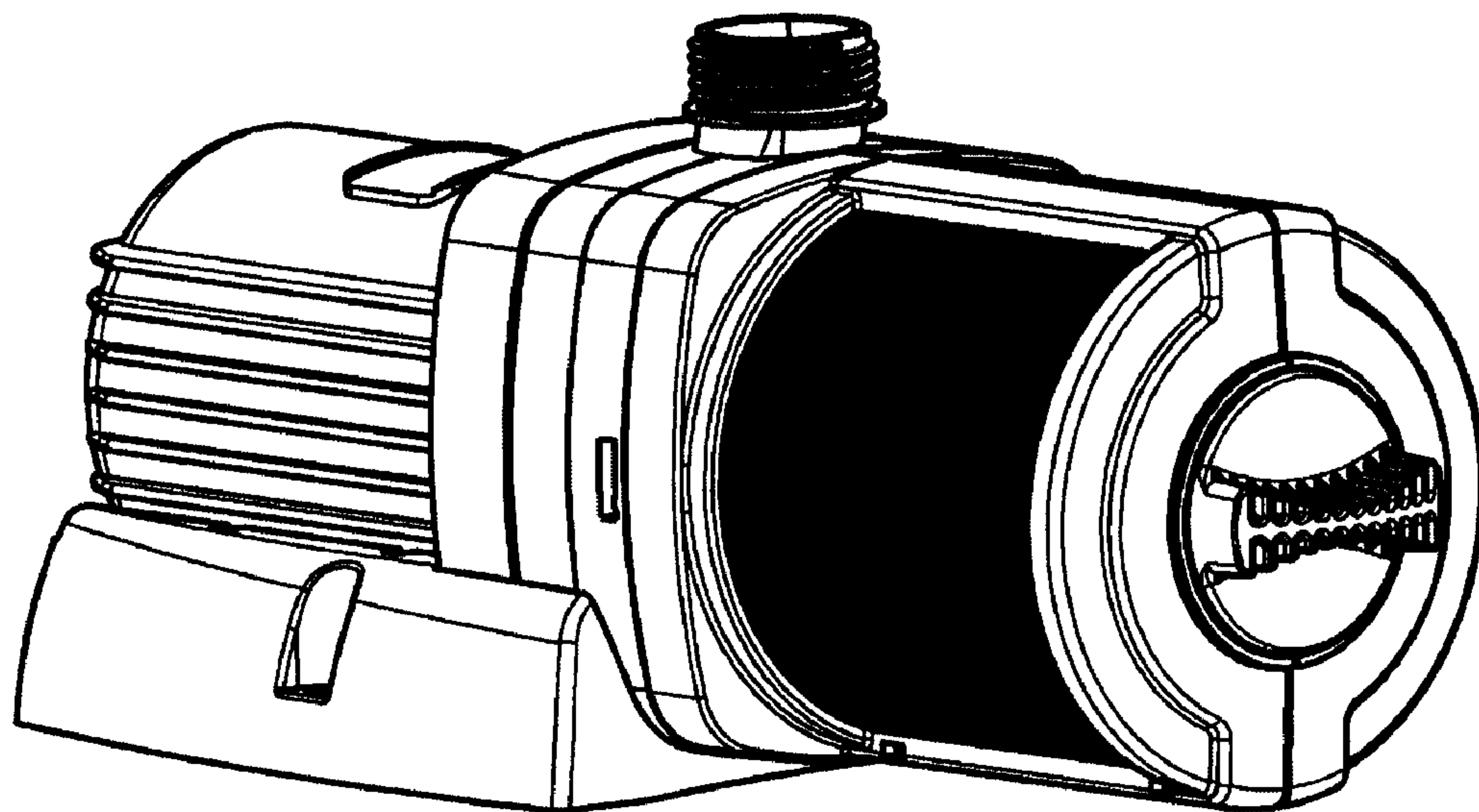


Fig. 1

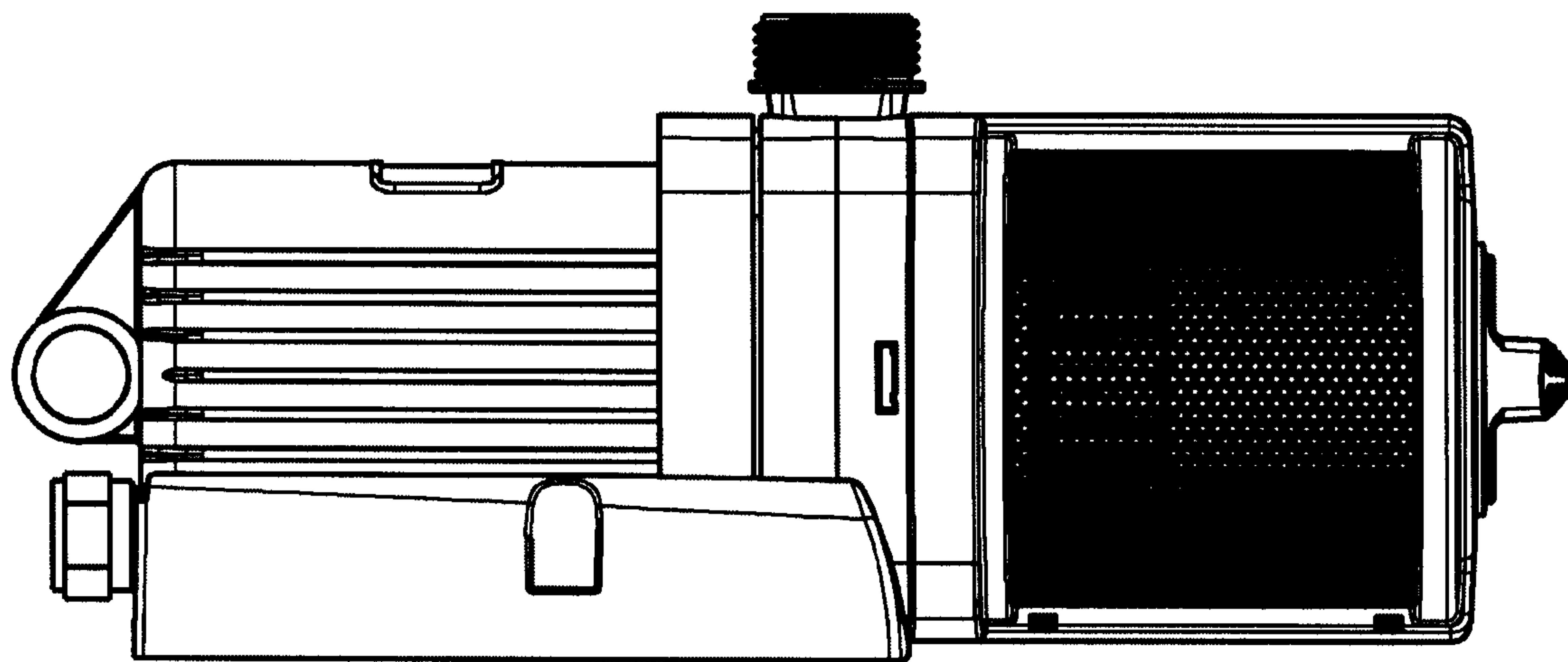


Fig. 2

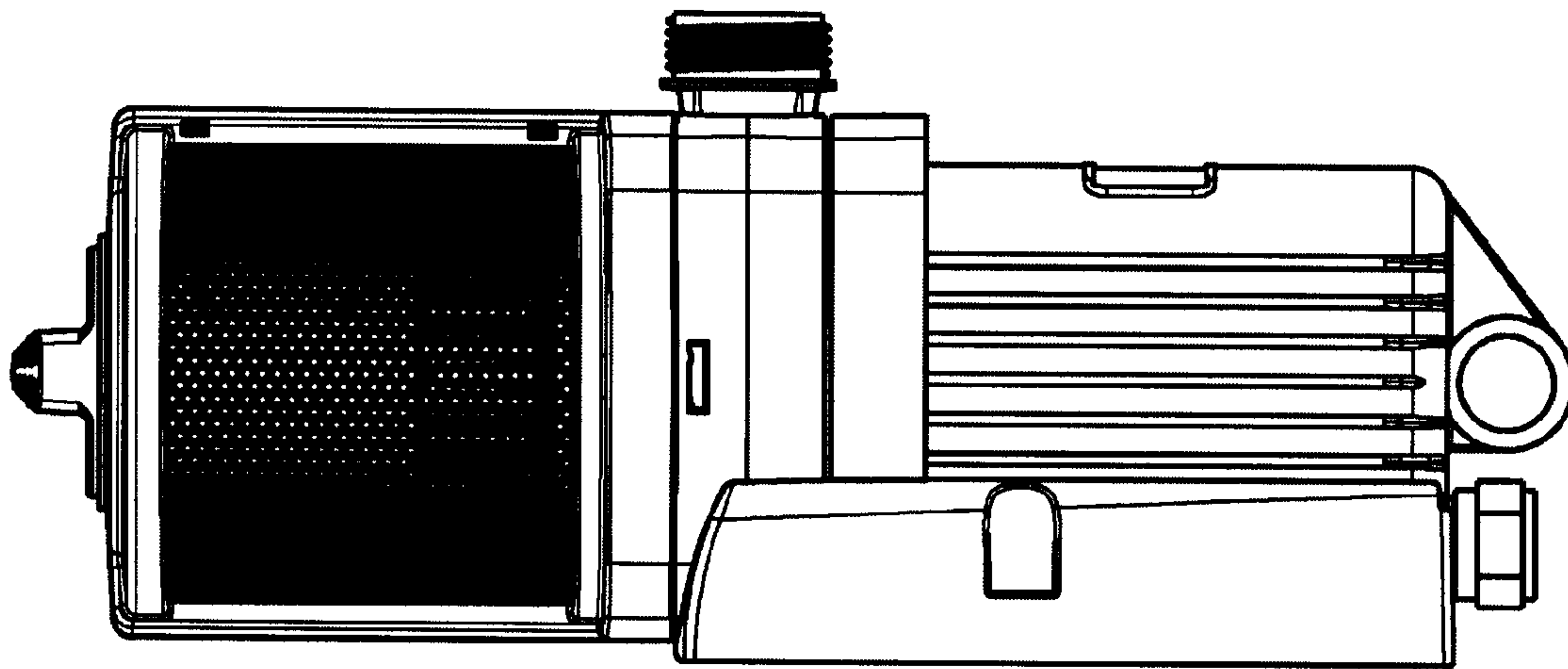


Fig. 3

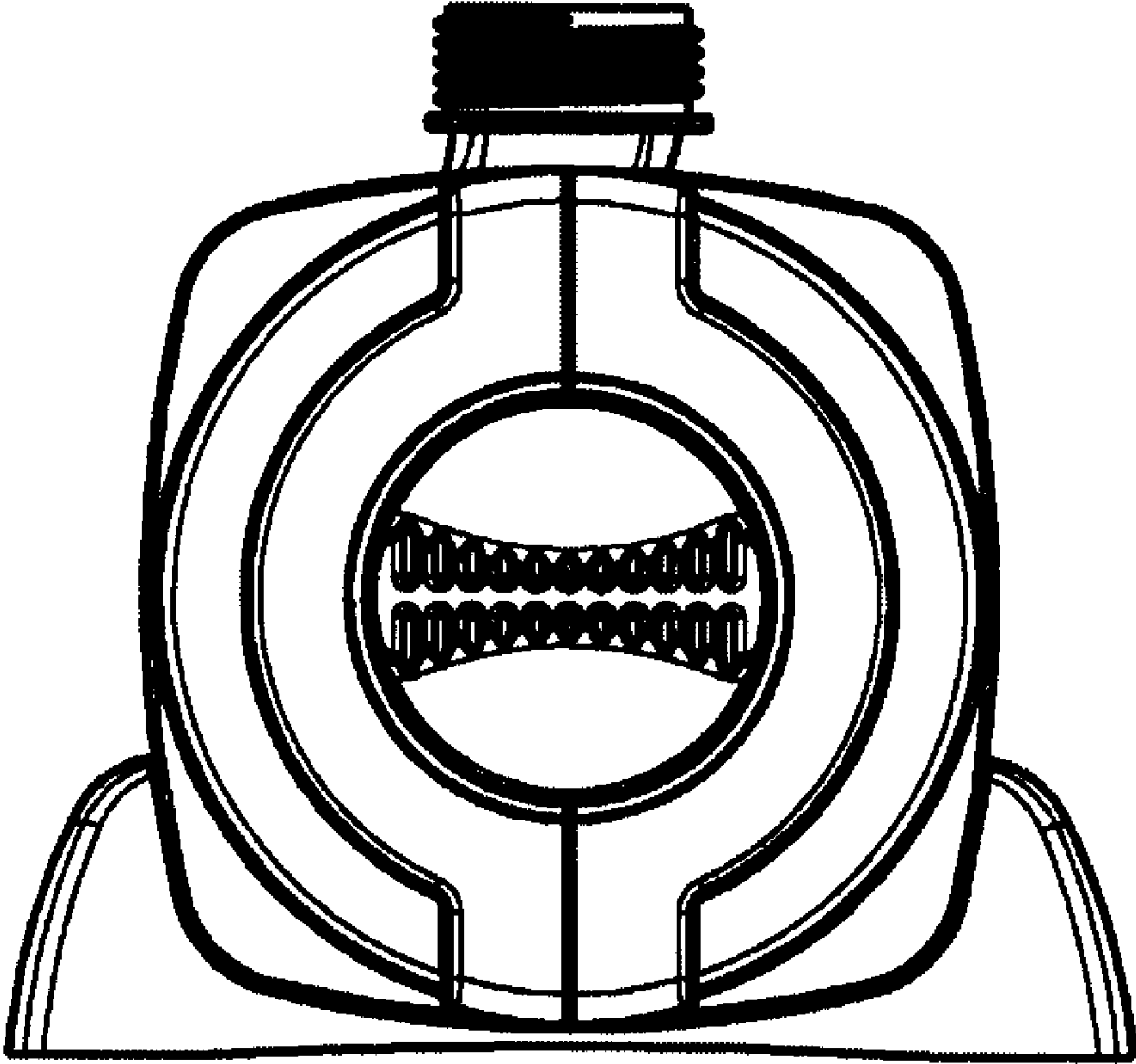


Fig. 4

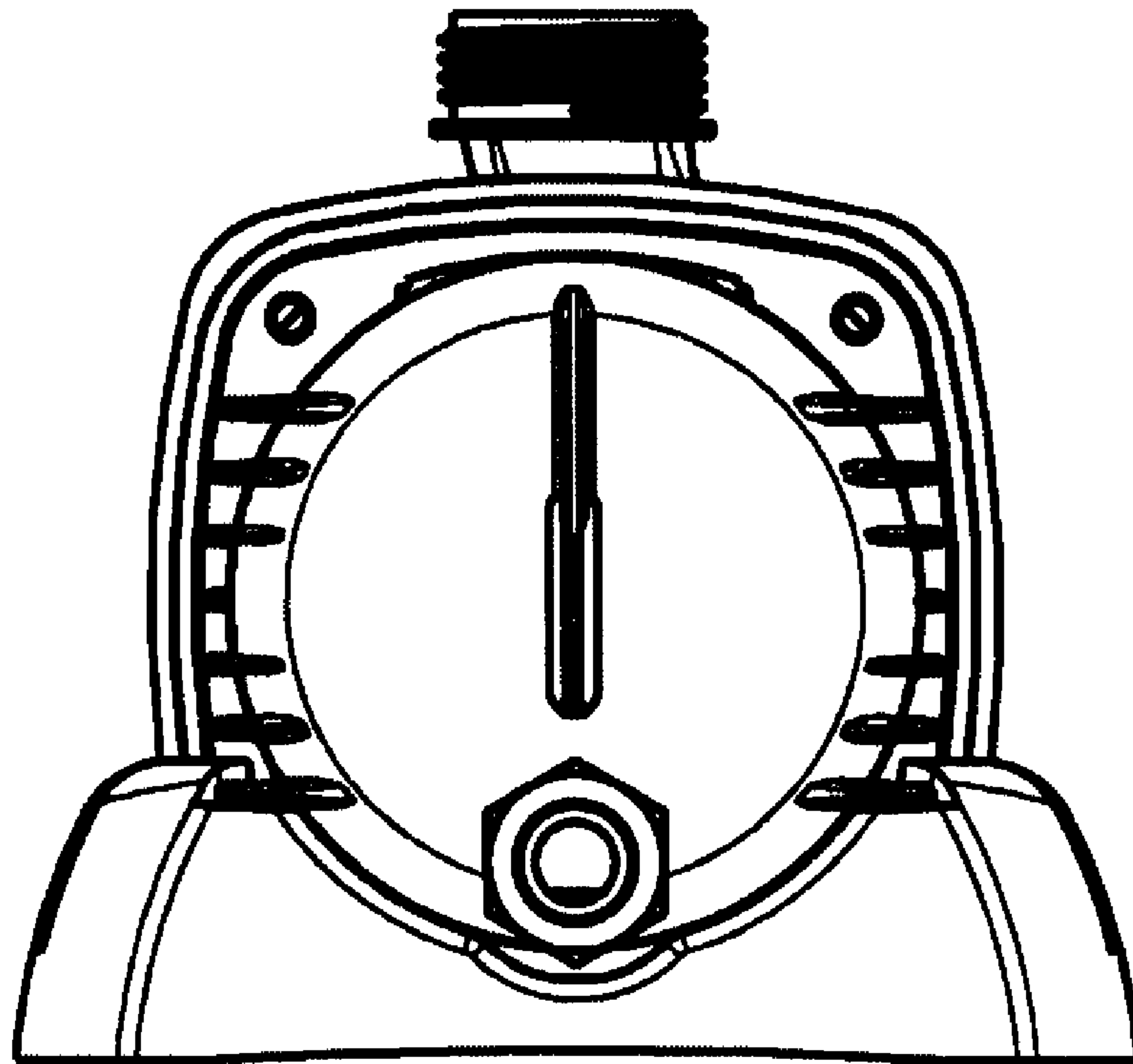


Fig. 5

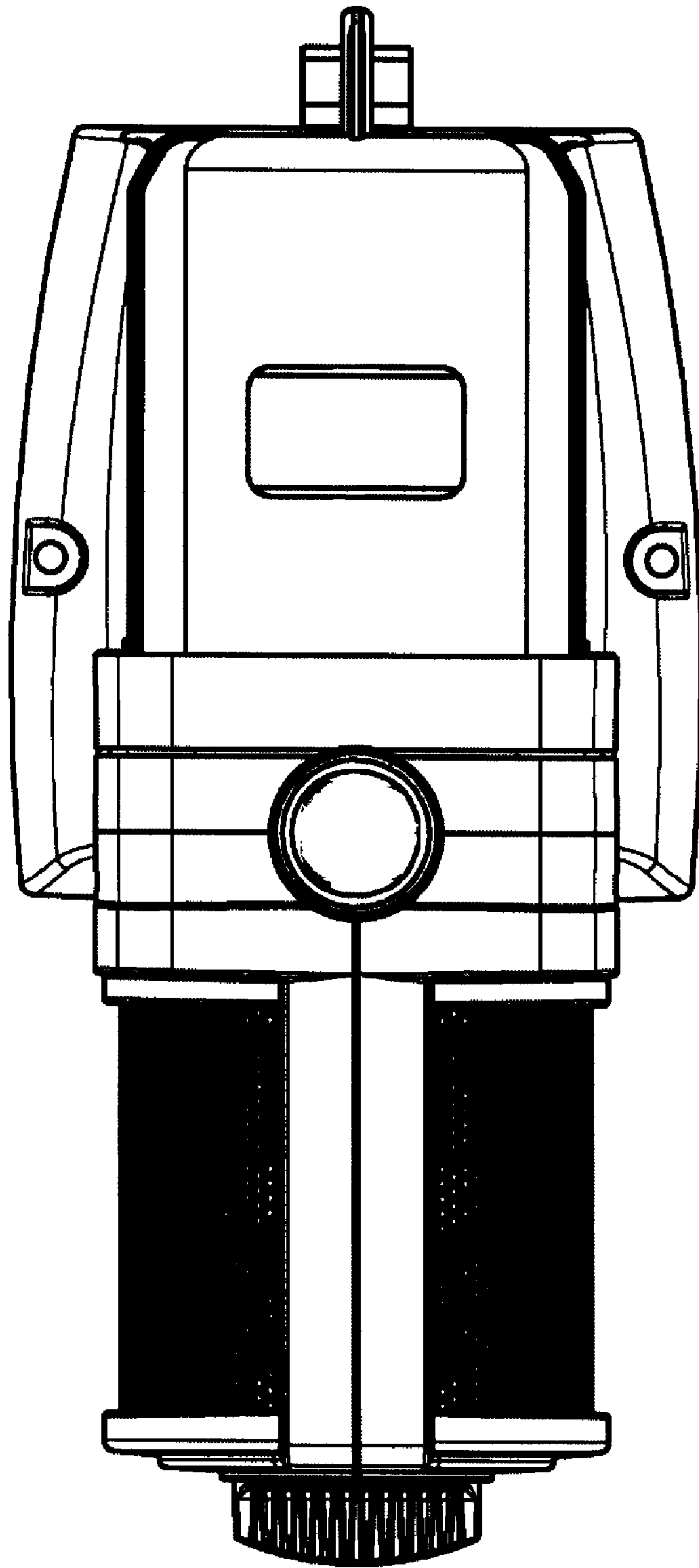


Fig. 6

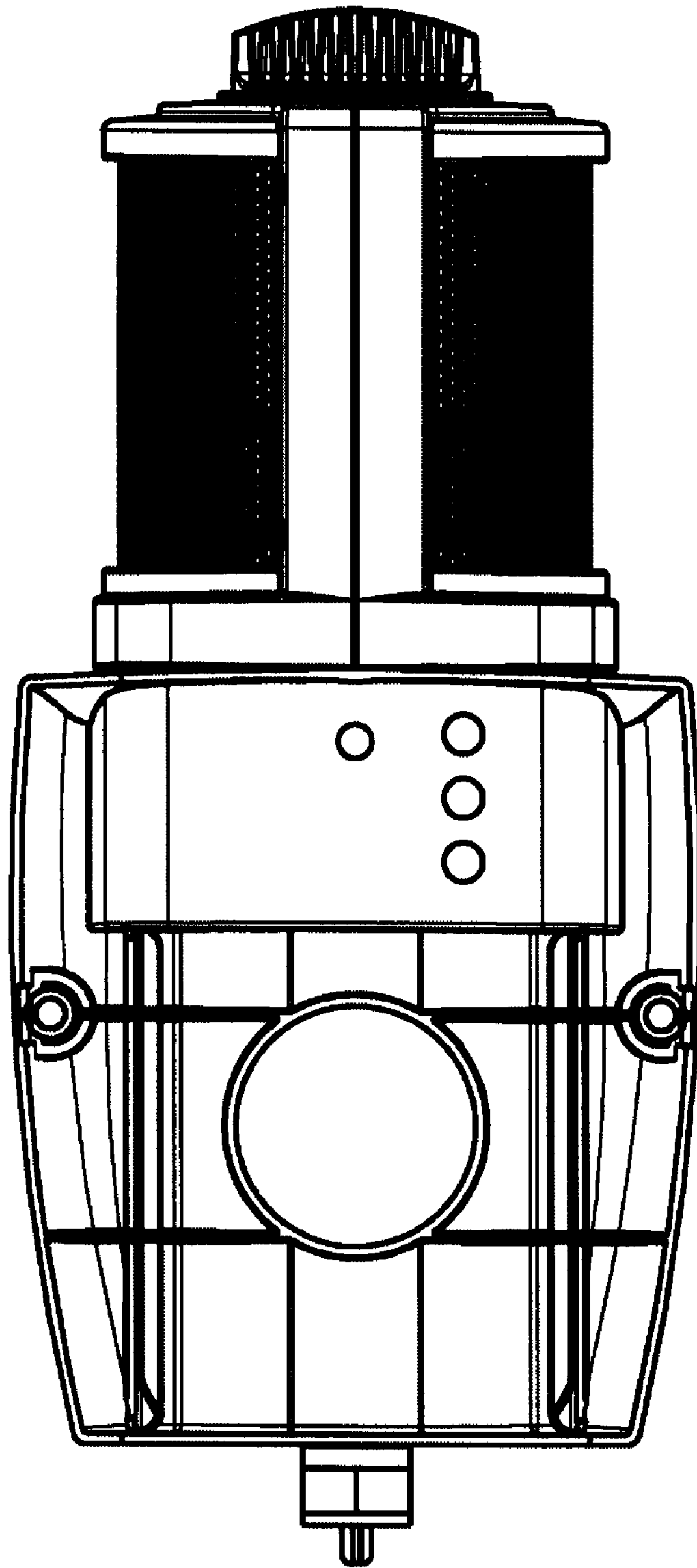


Fig. 7