



US00D573606S

(12) **United States Design Patent**
Andre et al.

(10) **Patent No.:** **US D573,606 S**
(45) **Date of Patent:** **** Jul. 22, 2008**

(54) **MEDIA DEVICE**

(75) Inventors: **Bartley K. Andre**, Menlo Park, CA (US); **Daniel J. Coster**, San Francisco, CA (US); **Daniele De Iuliis**, San Francisco, CA (US); **Richard P. Howarth**, San Francisco, CA (US); **Jonathan P. Ive**, San Francisco, CA (US); **Steve Jobs**, Palo Alto, CA (US); **Duncan Robert Kerr**, San Francisco, CA (US); **Shin Nishibori**, San Francisco, CA (US); **Matthew Dean Rohrbach**, San Francisco, CA (US); **Douglas B. Satzger**, Menlo Park, CA (US); **Calvin Q. Seid**, Palo Alto, CA (US); **Christopher J. Stringer**, Portola Valley, CA (US); **Eugene Antony Whang**, San Francisco, CA (US); **Rico Zorkendorfer**, San Francisco, CA (US)

(73) Assignee: **Apple Inc.**, Cupertino, CA (US)

(**) Term: **14 Years**

(21) Appl. No.: **29/278,243**

(22) Filed: **Mar. 22, 2007**

Related U.S. Application Data

(63) Continuation of application No. 29/237,096, filed on Aug. 24, 2005, now Pat. No. Des. 548,744.

(51) **LOC (8) Cl.** **14-03**

(52) **U.S. Cl.** **D14/496**

(58) **Field of Classification Search** D14/496, D14/401, 435, 474, 483, 217, 137, 138, 160, D14/168; 345/156, 169, 173-179, 905; 715/727-729, 715/864; 455/11.1, 773, 344-347, 93, 95; 370/342-344; 369/1, 2, 6, 12; 463/43-47; 273/148 B

See application file for complete search history.

(56) **References Cited**

U.S. PATENT DOCUMENTS

D264,969 S 6/1982 McGourty

(Continued)

FOREIGN PATENT DOCUMENTS

CN 3260632 10/2002

(Continued)

OTHER PUBLICATIONS

Apple iPod product sheet, Mac Mall.com (on line), (c) 2005-2005, (retrieved on Aug. 25, 2007) retrieved on internet <URL:http://www.Macmall.com, 2 pages.

(Continued)

Primary Examiner—Prabhakar Deshmukh
(74) *Attorney, Agent, or Firm*—Sterne, Kessler, Goldstein & Fox P.L.L.C.

(57) **CLAIM**

We claim the ornamental design for a media device, substantially as shown and described.

DESCRIPTION

FIG. 1 is a perspective view of a media device showing our new design.

FIG. 2 is a front view for the media device.

FIG. 3 is a rear view for the media device.

FIG. 4 is a bottom view for the media device.

FIG. 5 is a top view for the media device.

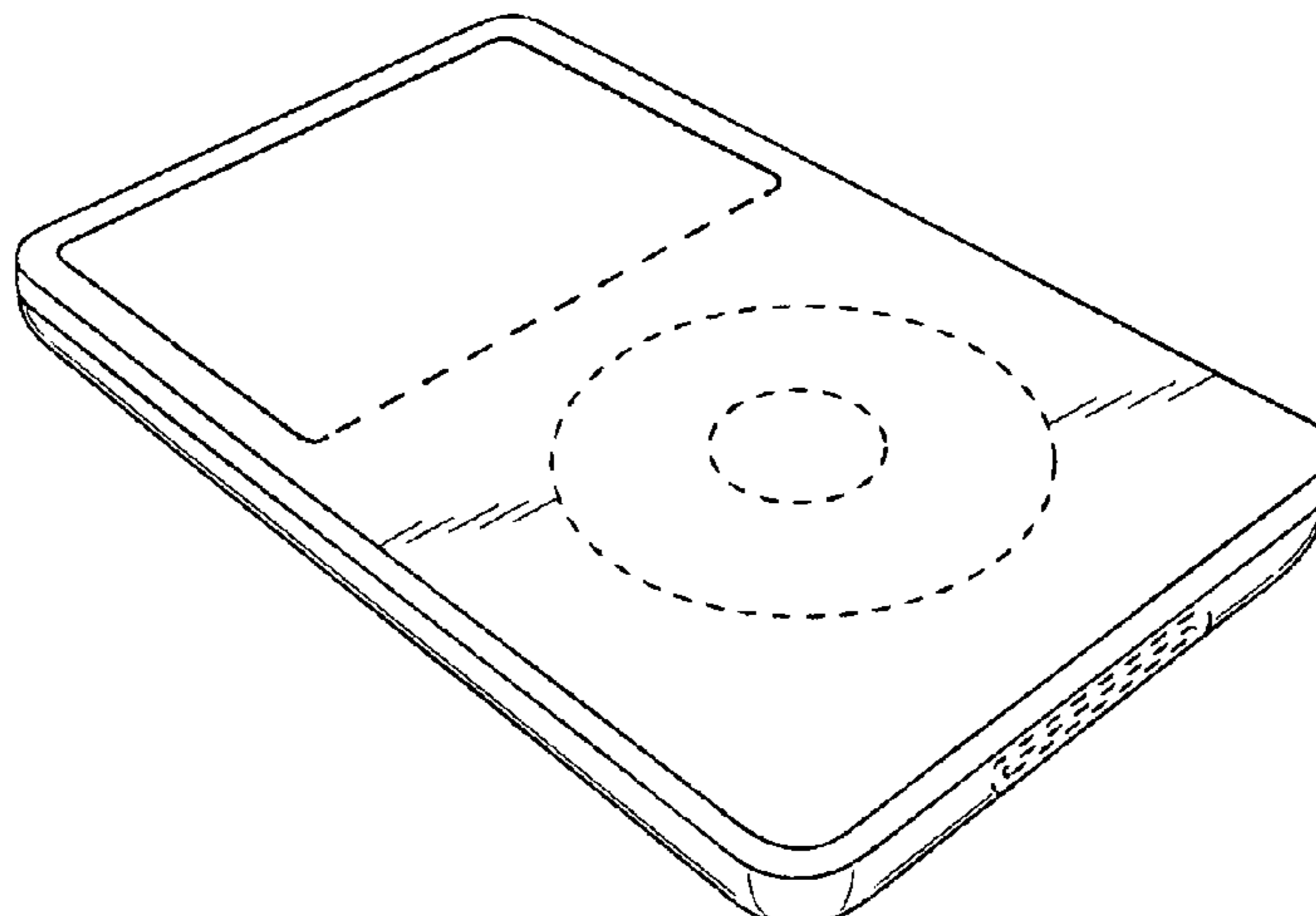
FIG. 6 is a right side view for the media device; and,

FIG. 7 is a left side view for the media device.

The broken lines, which define the bounds of the claimed design, form no part thereof.

The broken lines environmental are for illustrative purpose only and form no part of the claimed design.

1 Claim, 3 Drawing Sheets



U.S. PATENT DOCUMENTS

4,976,435 A 12/1990 Shatford et al.
 5,192,082 A 3/1993 Inoue et al.
 5,661,632 A 8/1997 Register
 D412,940 S 8/1999 Kato et al.
 5,964,661 A 10/1999 Dodge
 D425,885 S 5/2000 Amron
 D430,169 S 8/2000 Scibora
 6,122,526 A 9/2000 Parulski et al.
 D432,523 S 10/2000 Grinkus et al.
 D437,860 S 2/2001 Suzuki et al.
 6,227,966 B1 5/2001 Yokoi
 6,254,477 B1 7/2001 Sasaki et al.
 6,262,785 B1 7/2001 Kim
 D448,810 S 10/2001 Goto
 D450,713 S 11/2001 Masamitsu et al.
 6,314,483 B1 11/2001 Goto et al.
 D452,250 S * 12/2001 Chan D14/496
 D455,793 S 4/2002 Lin
 D468,365 S 1/2003 Bransky et al.
 D469,109 S 1/2003 Andre et al.
 D472,245 S 3/2003 Andre et al.
 D473,207 S 4/2003 Tanio
 6,591,085 B1 * 7/2003 Grady 455/42
 D483,809 S 12/2003 Lim
 D486,813 S * 2/2004 Chun D14/156
 D489,052 S * 4/2004 Shiraki et al. D14/156
 D489,731 S 5/2004 Huang
 D490,068 S 5/2004 Chen
 D492,323 S 6/2004 Wang
 D494,188 S 8/2004 Huang
 D497,618 S 10/2004 Andre et al.
 D499,423 S 12/2004 Bahroocha et al.
 D499,424 S 12/2004 Bahroocha
 D506,476 S 6/2005 Andre et al.
 D507,003 S 7/2005 Pai et al.
 D507,277 S 7/2005 Sitoh
 6,920,344 B2 7/2005 Jang
 D509,833 S 9/2005 Yang
 D510,937 S 10/2005 Tsai
 D511,347 S 11/2005 Naruki
 D511,529 S 11/2005 Sassano
 D512,403 S 12/2005 Yang
 6,977,675 B2 * 12/2005 Kotzin 348/208.2
 D513,512 S * 1/2006 Tsai D14/496
 D514,120 S 1/2006 Chan
 D514,121 S 1/2006 Johnson
 D514,589 S 2/2006 Chen
 D515,099 S 2/2006 Lee
 D515,546 S 2/2006 Mu
 D516,576 S * 3/2006 Ive et al. D14/496
 D517,088 S 3/2006 Chong et al.
 D518,290 S 4/2006 Andre et al.
 D519,523 S 4/2006 Chiu et al.
 D520,020 S 5/2006 Senda et al.
 7,046,230 B2 * 5/2006 Zadesky et al. 345/156
 D525,986 S 8/2006 Kim
 D538,820 S 3/2007 Andre et al.
 D541,297 S 4/2007 Andre et al.
 D541,298 S 4/2007 Andre et al.
 D541,299 S 4/2007 Andre et al.
 D542,306 S 5/2007 Andre et al.
 D542,808 S 5/2007 Andre et al.

D548,744 S 8/2007 Andre et al.
 D548,745 S 8/2007 Andre et al.
 D548,746 S 8/2007 Andre et al.
 D548,747 S 8/2007 Andre et al.
 D549,237 S 8/2007 Andre et al.
 D551,680 S 9/2007 Andre et al.
 2004/0224638 A1 11/2004 Fadell et al.

FOREIGN PATENT DOCUMENTS

CN 3260633 10/2002
 CN 3269799 12/2002
 CN 3286007 4/2003
 CN 3287344 4/2003
 CN 3331371 10/2003
 CN 3339759 12/2003
 CN 3375890 6/2004
 CN 3380859 7/2004
 CN 3389184 9/2004
 CN 3389185 9/2004
 CN 3453893 6/2005
 CN 3453894 6/2005
 CN 3453909 6/2005
 CN 3468582 8/2005
 CN 3468598 8/2005
 CN 3480659 10/2005
 CN 3484184 11/2005
 CN 3490573 12/2005
 CN 3490574 12/2005
 CN 3509995 3/2006
 CN 3513646 3/2006
 CN 3518964 4/2006
 CN 3518979 4/2006
 CN 3534319 6/2006
 CN 3543434 7/2006
 CN 3545312 7/2006
 CN 3549064 8/2006

OTHER PUBLICATIONS

Apple iPod U2 special edition (20GB) product sheet, Selector.com (on line) (c) 1998-2004 (retrieved on Aug. 25, 2007) retrieved on internet<URL:http://www.selectmore.com, 5 pages.
 Apple iPod U2 special edition black, product sheet, Winbuyer.com (on line), retrieved on Aug. 25, 2007) retrieved on internet<URL:http://www.winbuyer.com, 4 pages.
 Black iPod Player, product sheet, Satsig.ntblack-ipod.htm (c) 2007, retrieve on internet on Aug. 8, 2007, 1 page.
 U.S. Appl. No. 29/265,520, Media Device, filed Sep. 1, 2006.
 U.S. Appl. No. 29/269,781, Electronic Device, filed Dec. 8, 2006.
 U.S. Appl. No. 29/275,487, Media Device, filed Dec. 27, 2006.
 U.S. Appl. No. 29/278,280, Media Device, filed Mar. 23, 2007.
 U.S. Appl. No. 29/281,264, Handheld Portable Computing Device, filed Jun. 19, 2007.
 U.S. Appl. No. 29/288,717, Media Device, filed Jun. 20, 2007.
 U.S. Appl. No. 29/281,530, Media Device, filed Jun. 26, 2007.
 U.S. Appl. No. 29/281,763, Media Device, filed Jun. 29, 2007.
 U.S. Appl. No. 29/281,926, Media Device, filed Jul. 6, 2007.
 U.S. Appl. No. 29/283,604, Media Device, filed Aug. 17, 2007.
 U.S. Appl. No. 29/284,326, Electronic Device, filed Sep. 5, 2007.
 U.S. Appl. No. 29/237,225, Andre et al., Media Device, filed Aug. 24, 2005.
 U.S. Appl. No. 29/237,232, Andre et al., Handheld Portable Computing Device, filed Aug. 24, 2005.

* cited by examiner

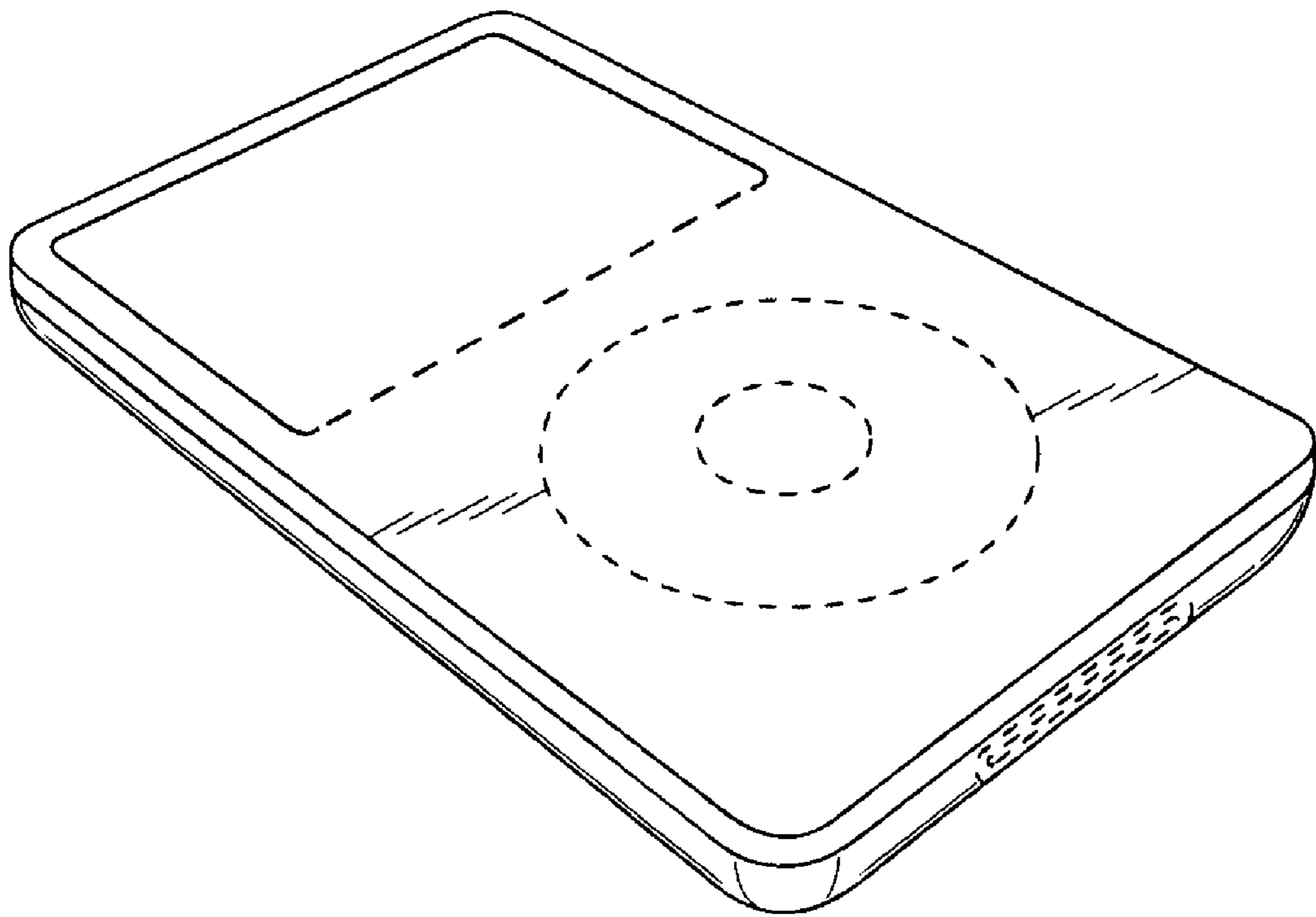


FIG. 1

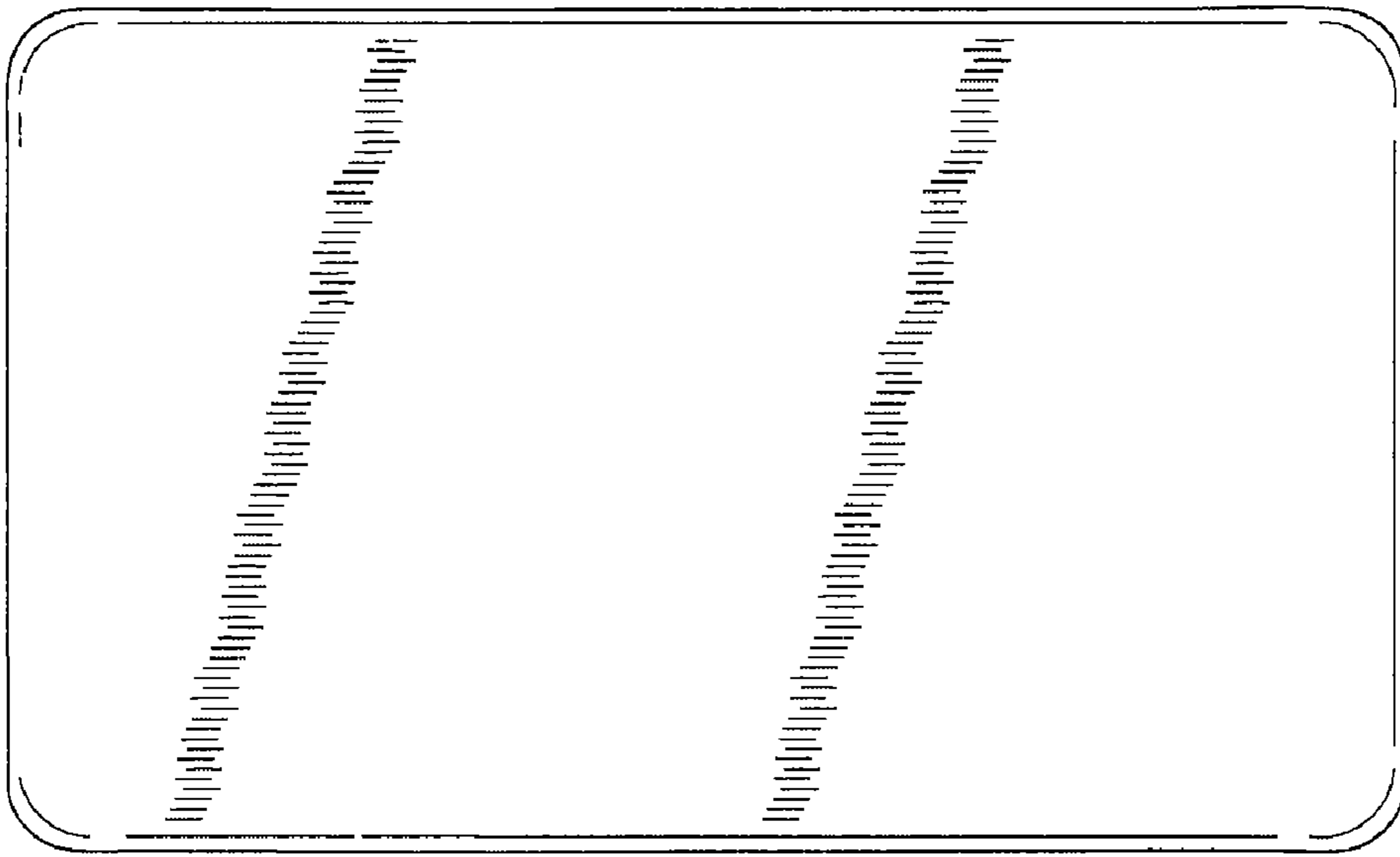


FIG. 3

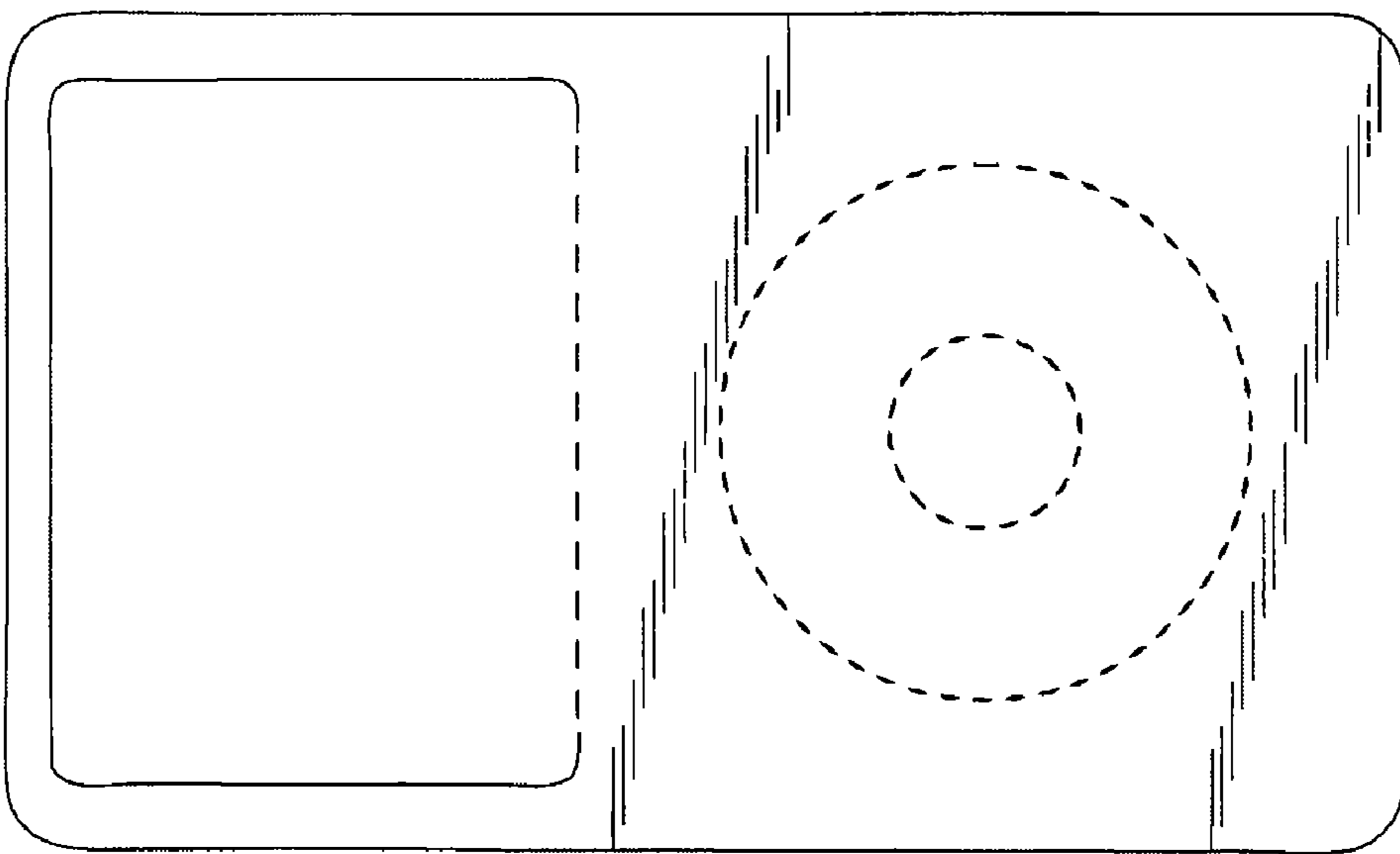


FIG. 2

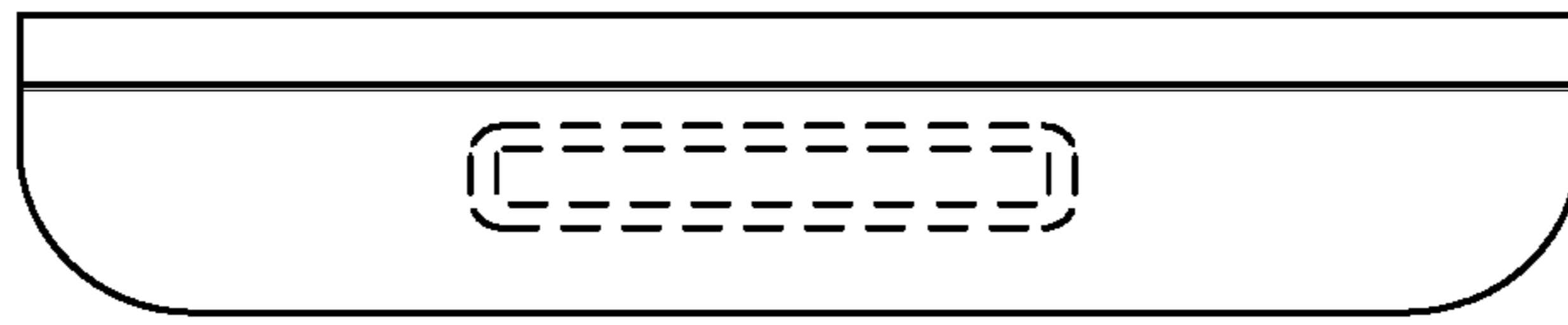


FIG. 4

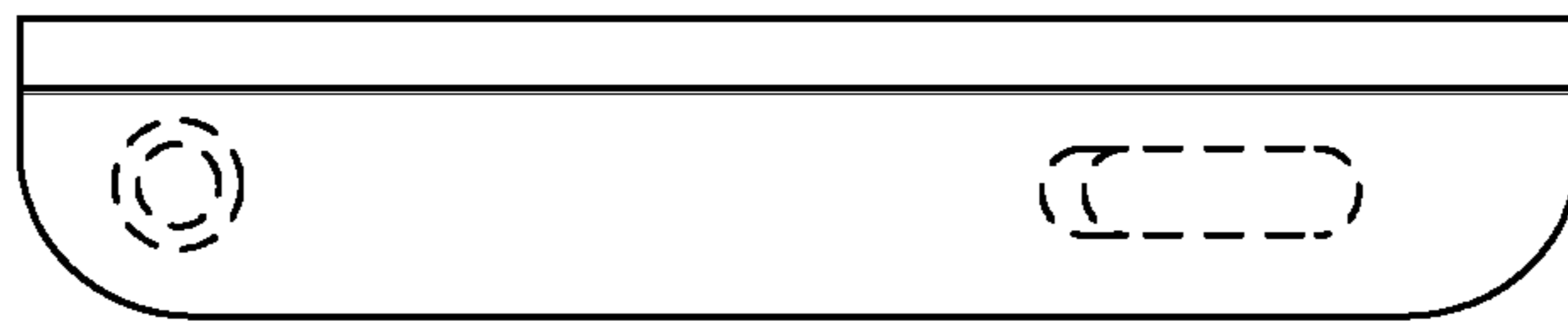


FIG. 5

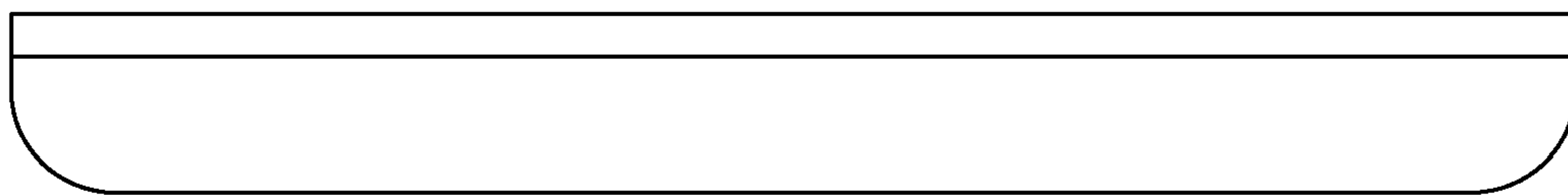


FIG. 6

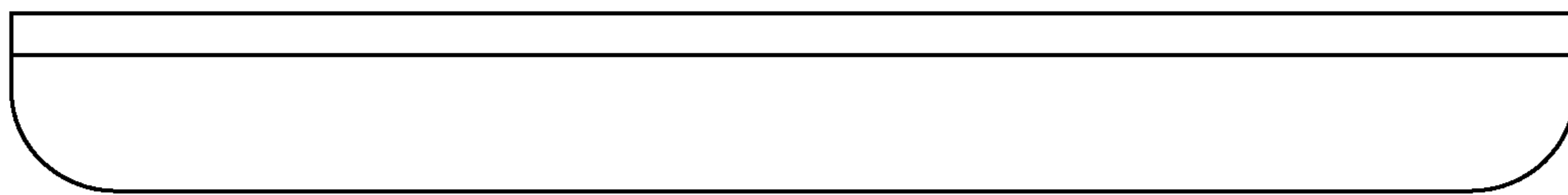


FIG. 7