



US00D573600S

(12) **United States Design Patent**
Kaminaga

(10) **Patent No.:** **US D573,600 S**
(45) **Date of Patent:** **** Jul. 22, 2008**

(54) **DIGITAL CAMERA**

(75) Inventor: **Tomomi Kaminaga**, Hachioji (JP)

(73) Assignee: **Olympus Corporation**, Tokyo (JP)

(**) Term: **14 Years**

(21) Appl. No.: **29/277,999**

(22) Filed: **Mar. 15, 2007**

Related U.S. Application Data

(62) Division of application No. 29/215,709, filed on Oct. 22, 2004, now Pat. No. Des. 559,854.

Foreign Application Priority Data

Aug. 30, 2004 (JP) 2004-026029
Aug. 30, 2004 (JP) 2004-026030
Aug. 30, 2004 (JP) 2004-026031
Aug. 30, 2004 (JP) 2004-026032

(51) **LOC (8) Cl.** **14-04**

(52) **U.S. Cl.** **D14/486**

(58) **Field of Classification Search** D14/485-95;
D18/24-33; D19/6; D20/11; D21/324-33;
715/700-867, 973-77

See application file for complete search history.

(56) **References Cited**

U.S. PATENT DOCUMENTS

D418,826 S * 1/2000 Pavely et al. D14/486
D420,340 S * 2/2000 Bailer et al. D14/486
D437,601 S * 2/2001 Utsuki et al. D14/486

D444,793 S * 7/2001 Richter D14/486
D469,105 S * 1/2003 Hammerquist et al. D14/486
D470,857 S * 2/2003 Anderson et al. D14/485
D474,778 S * 5/2003 Barnes D14/486
D478,595 S * 8/2003 Istvan et al. D14/486
D486,834 S * 2/2004 Allen et al. D14/486
D495,715 S * 9/2004 Gildred D14/486
D506,474 S * 6/2005 Gildred D14/486
D509,831 S * 9/2005 Mitani et al. D14/486
D523,440 S * 6/2006 Hernandez et al. D14/486
D525,982 S * 8/2006 Suzuki D14/486
D528,557 S * 9/2006 Aoki D14/486
D541,291 S * 4/2007 Zhou et al. D14/486

* cited by examiner

Primary Examiner—Melanie H Tung

(74) *Attorney, Agent, or Firm*—Hogan & Hartson LLP

(57) **CLAIM**

The ornamental design for a digital camera, as shown and described.

DESCRIPTION

FIG. 1 is a perspective view of an image for a digital camera; FIG. 2 is a perspective view of a second embodiment thereof; FIG. 3 is a front view of the embodiment shown in FIG. 1; and,

FIG. 4 is a front view of the second embodiment thereof.

The broken line drawings of the elements within the image and the digital camera, and the digital camera are for illustrative purposes only and form no part of the claimed design.

1 Claim, 2 Drawing Sheets

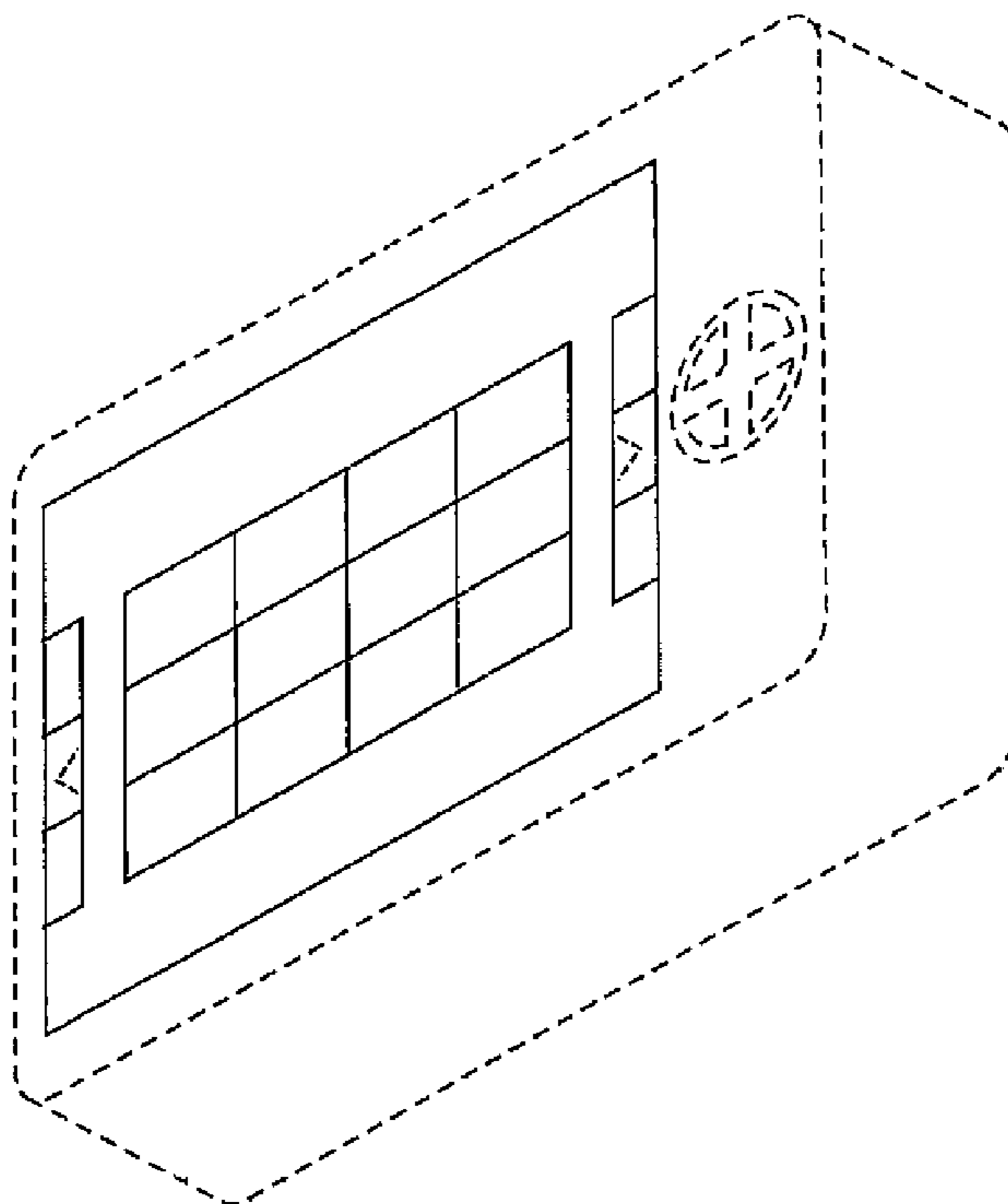


FIG.1

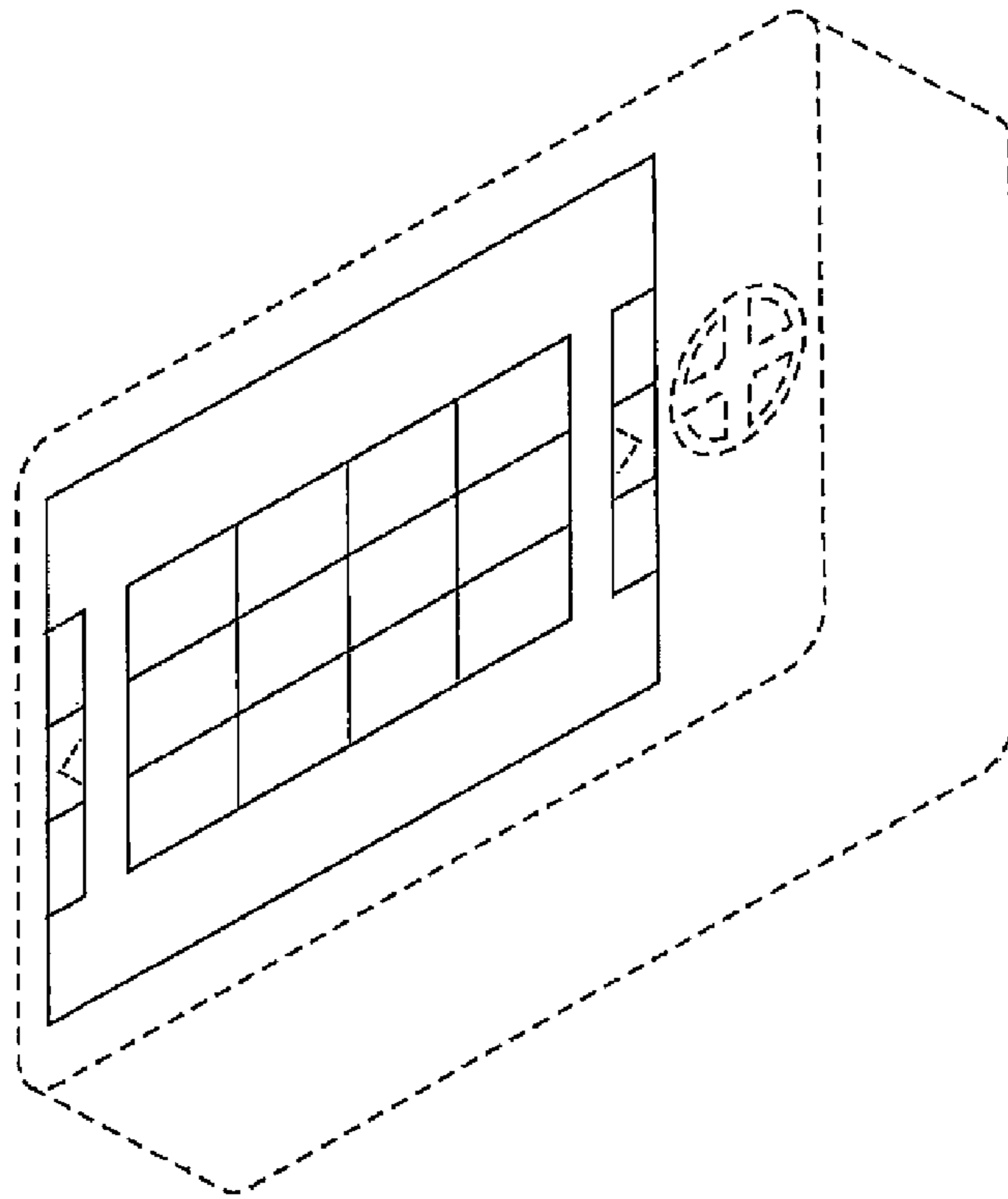


FIG.2

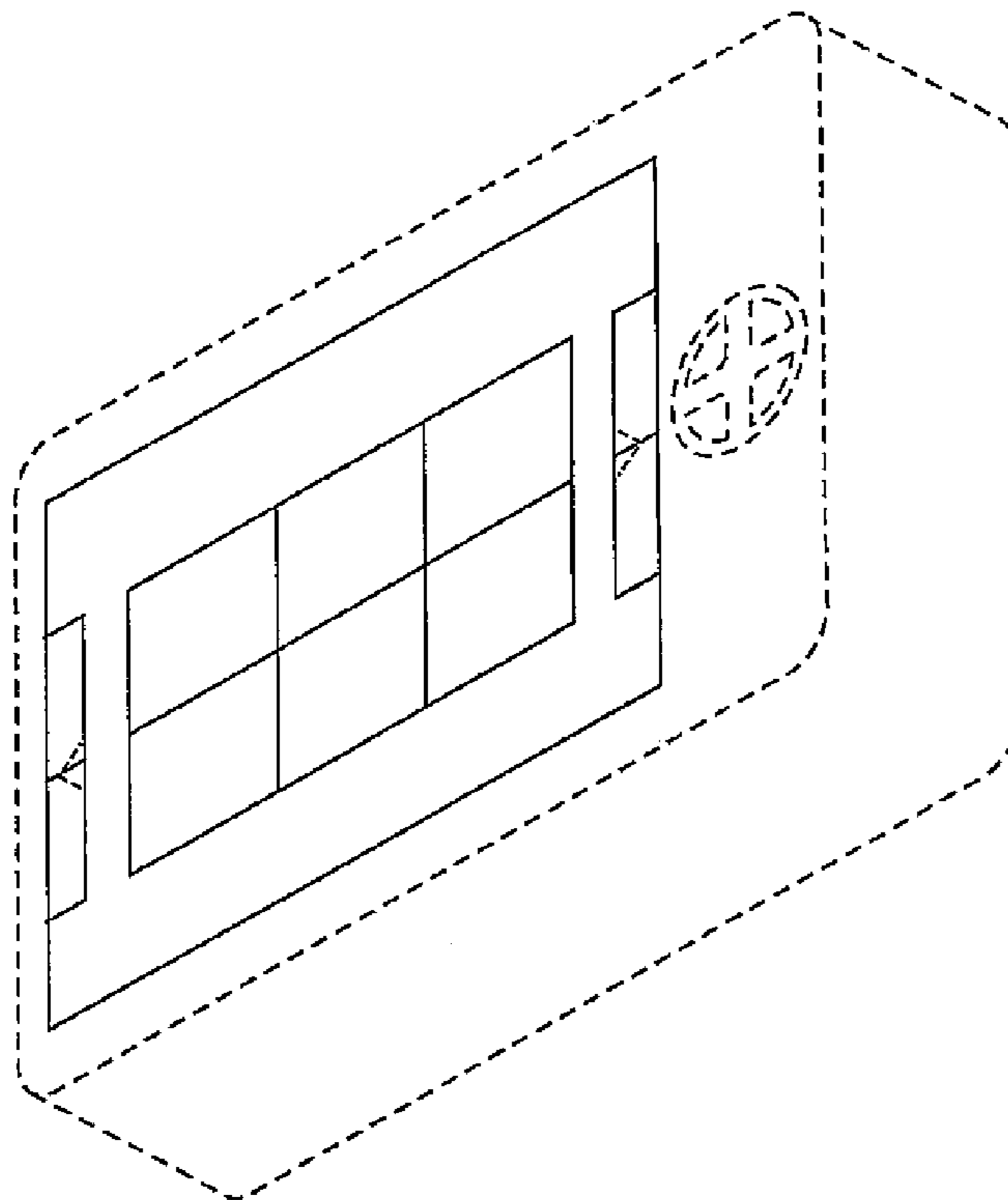


FIG.3

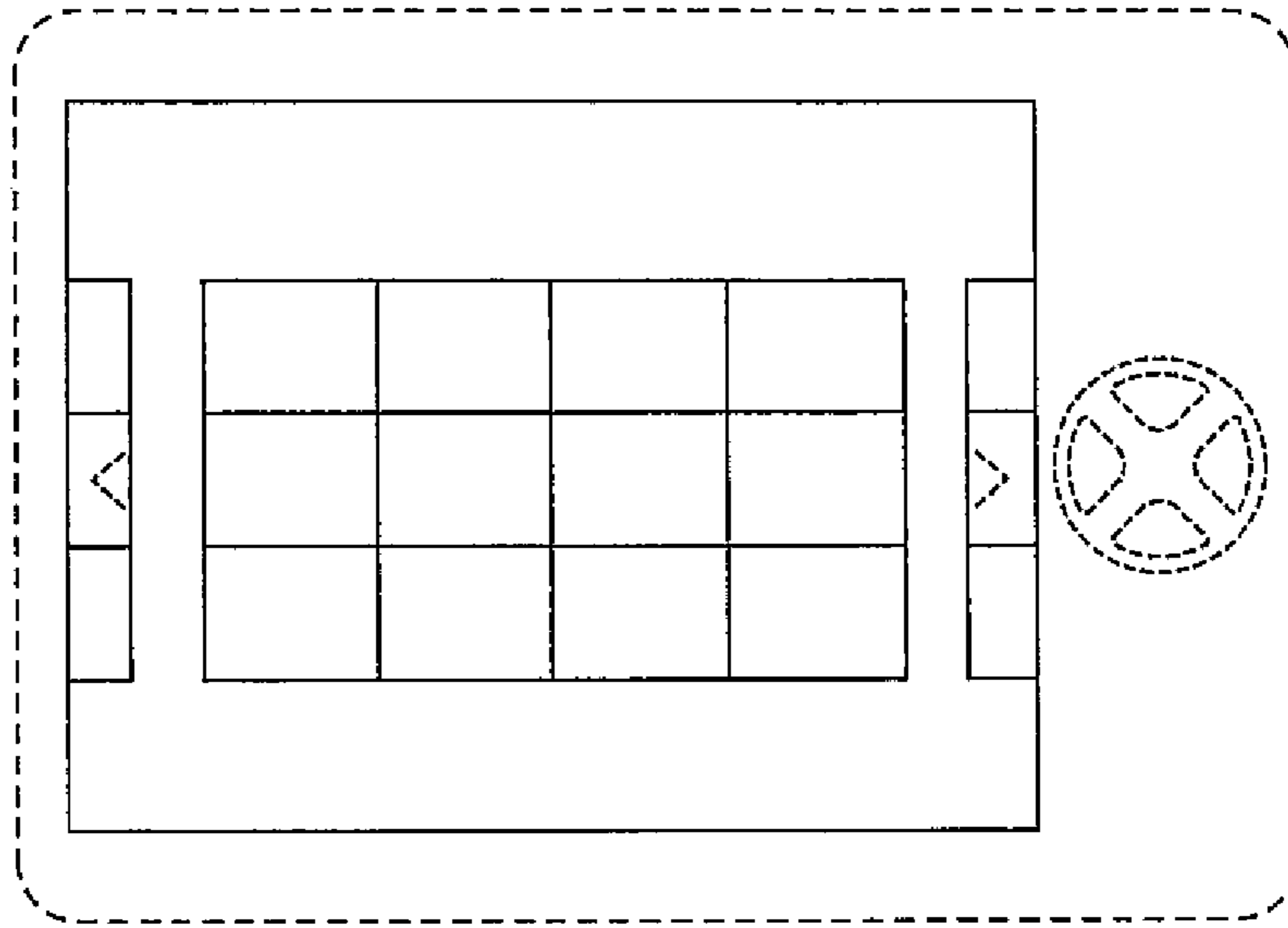


FIG.4

