



US00D573598S

(12) **United States Design Patent**
Chu

(10) **Patent No.:** **US D573,598 S**
(45) **Date of Patent:** **** Jul. 22, 2008**

(54) **STAND FOR NOTEBOOK COMPUTERS**

(75) Inventor: **Leo Chu**, Taipei (TW)

(73) Assignee: **Eastern Global Corporation**, Taipei (TW)

(**) Term: **14 Years**

(21) Appl. No.: **29/274,235**

(22) Filed: **Apr. 6, 2007**

(51) **LOC (8) Cl.** **14-03**

(52) **U.S. Cl.** **D14/447**

(58) **Field of Classification Search** D14/432,
D14/434, 439, 448, 457, 447, 451, 452; D6/396,
D6/419, 420, 473, 474, 512; D19/92, 95;
D23/370, 387; 248/917, 918, 919, 920, 921,
248/922, 923, 924, 371, 393, 398, 176.1,
248/176.2, 176.3, 188.6, 346.01, 346.03,
248/346.06, 346.3, 346.4, 346.5, 441.1, 454,
248/455, 456, 460; 312/223.3; 361/680,
361/681, 683, 687, 688, 693, 694, 695
See application file for complete search history.

(56) **References Cited**

U.S. PATENT DOCUMENTS

383,117	A *	5/1888	Fitzgerald	211/44
456,089	A *	7/1891	Harrison	248/452
4,460,146	A *	7/1984	Raggiotti	248/456
4,848,243	A *	7/1989	Giordano	108/9

D440,787	S *	4/2001	Prindle	D6/419
D480,088	S *	9/2003	Bakker et al.	D14/447
D513,008	S *	12/2005	Takizawa et al.	D14/447
D554,647	S *	11/2007	Chan	D14/447
D555,163	S *	11/2007	Beilstein et al.	D14/451
2006/0108494	A1 *	5/2006	Lancet	248/456
2006/0192070	A1 *	8/2006	Chan	248/371
2007/0221811	A1 *	9/2007	Hauser et al.	248/454
2008/0006753	A1 *	1/2008	Campagnoli et al.	248/398

* cited by examiner

Primary Examiner—Jennifer Rivard

Assistant Examiner—Angela J Lee

(74) *Attorney, Agent, or Firm*—Troxell Law Office, PLLC

(57) **CLAIM**

The ornamental design for stand for notebook computers, as shown and described.

DESCRIPTION

FIG. 1 is a front perspective view of a stand for notebook computers showing my new design;

FIG. 2 is a front elevational view thereof;

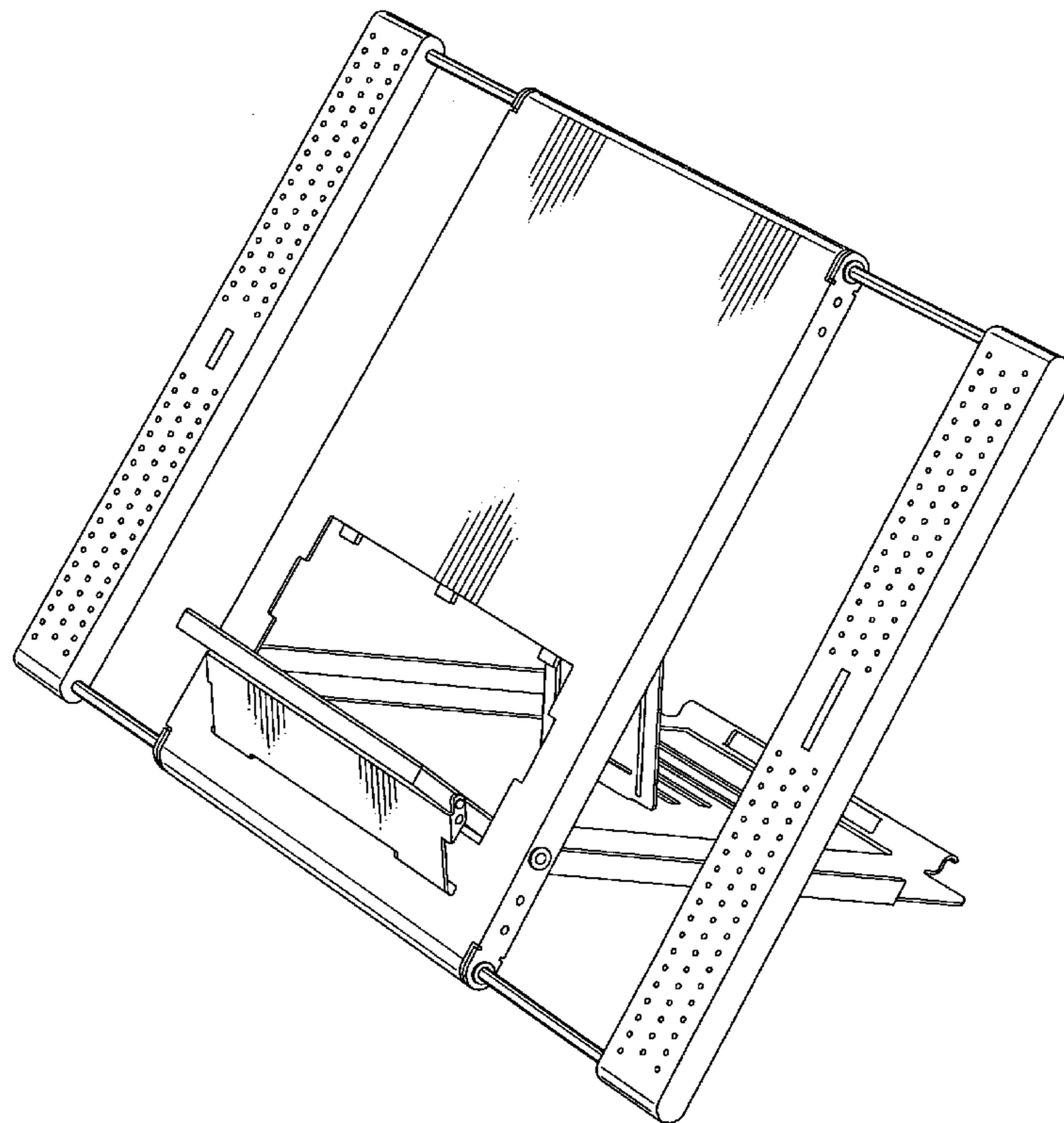
FIG. 3 is a rear elevational view thereof;

FIG. 4 is a top plan view thereof;

FIG. 5 is a bottom plan view thereof; and,

FIG. 6 is a right side elevational view thereof; the right side being substantially a mirror image.

1 Claim, 6 Drawing Sheets



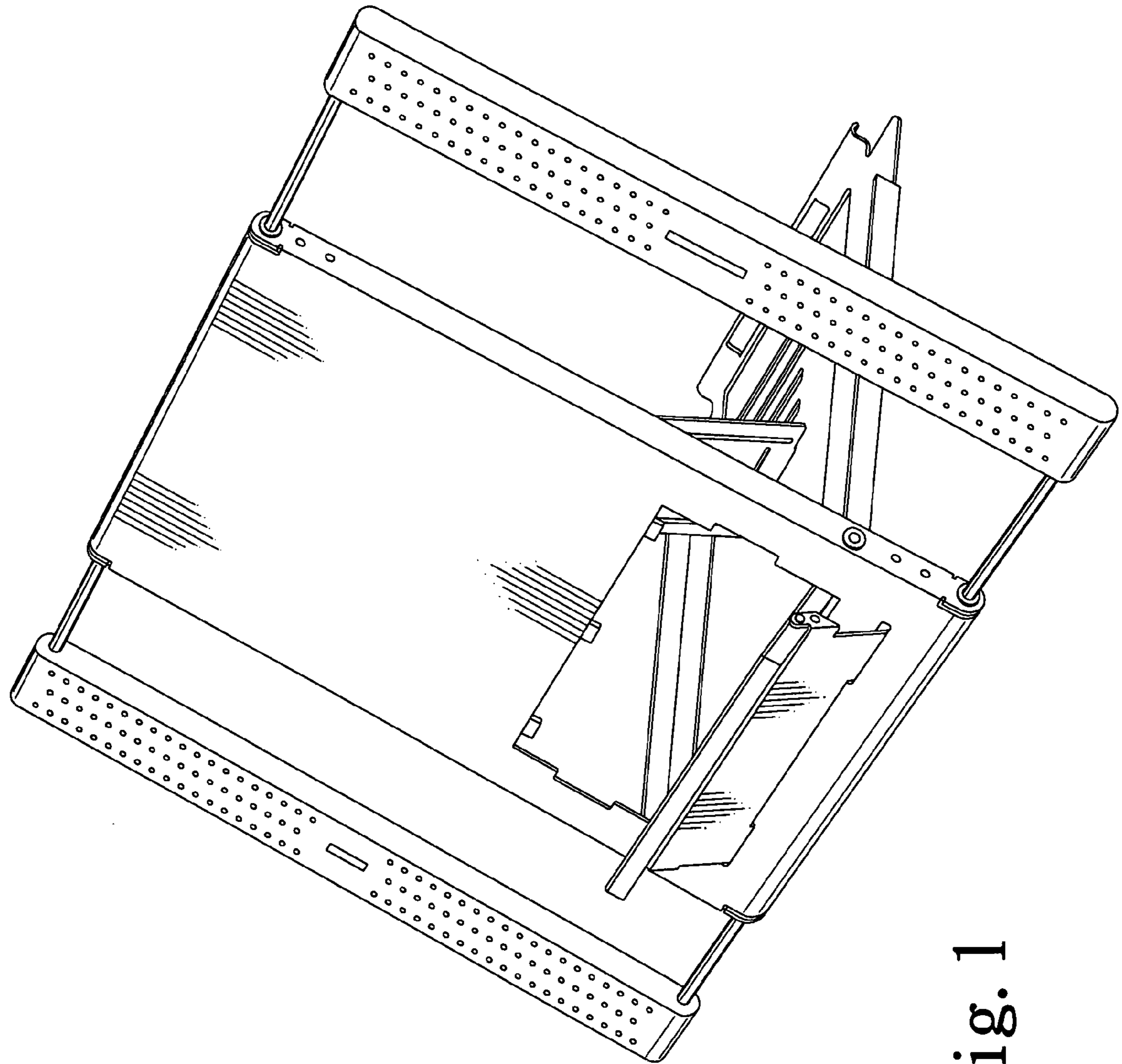
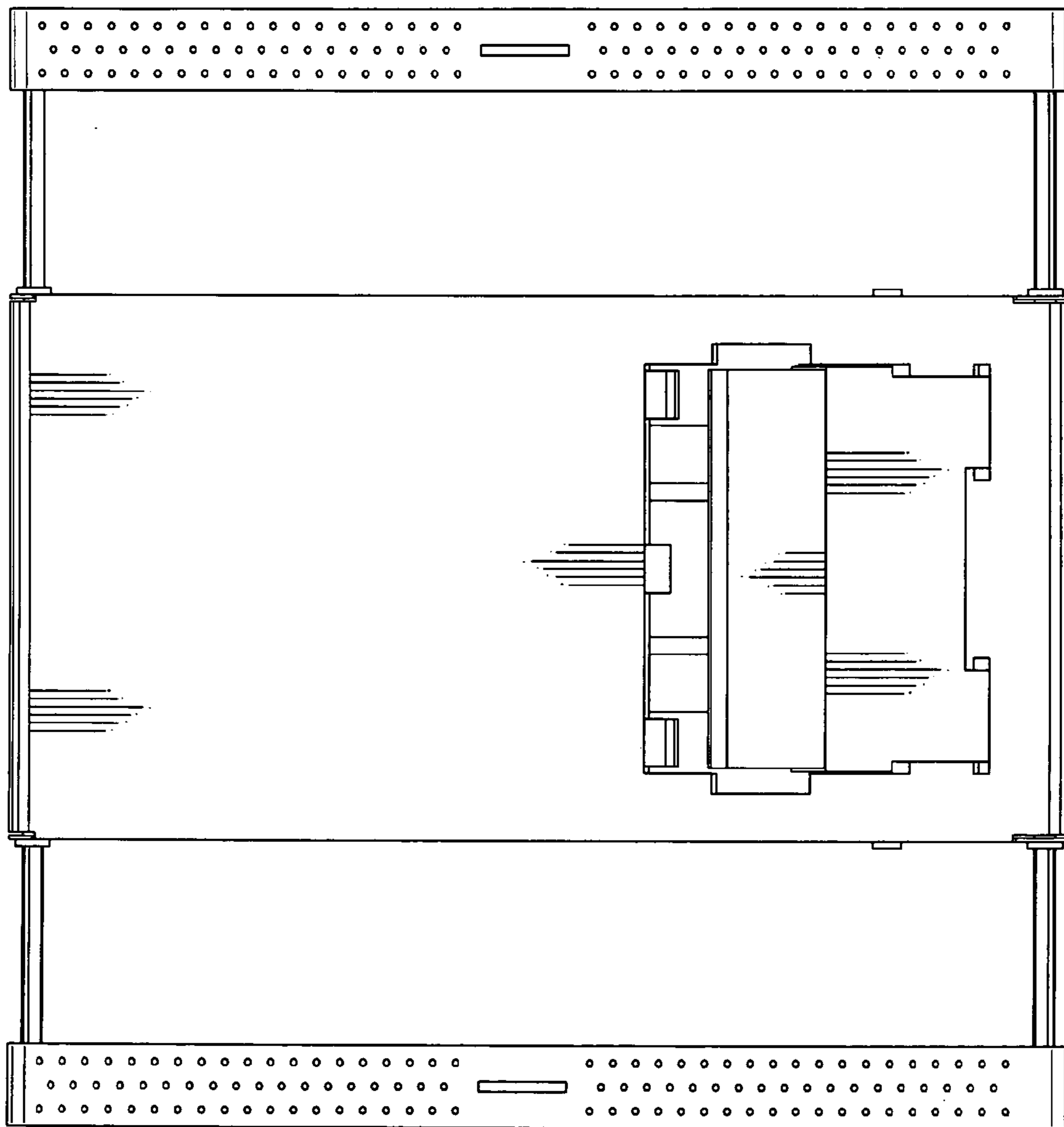


Fig. 1

Fig. 2



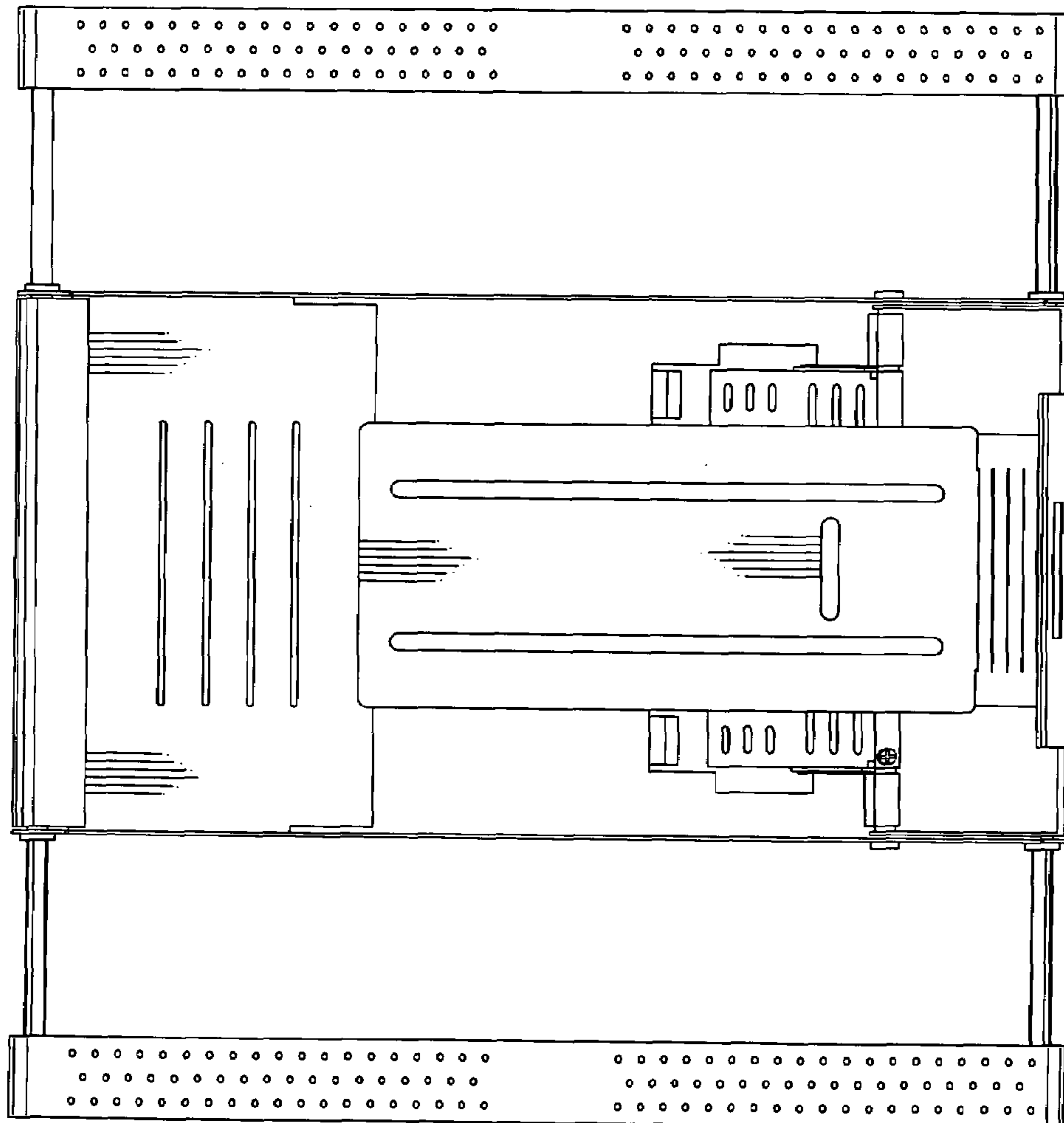


Fig. 3

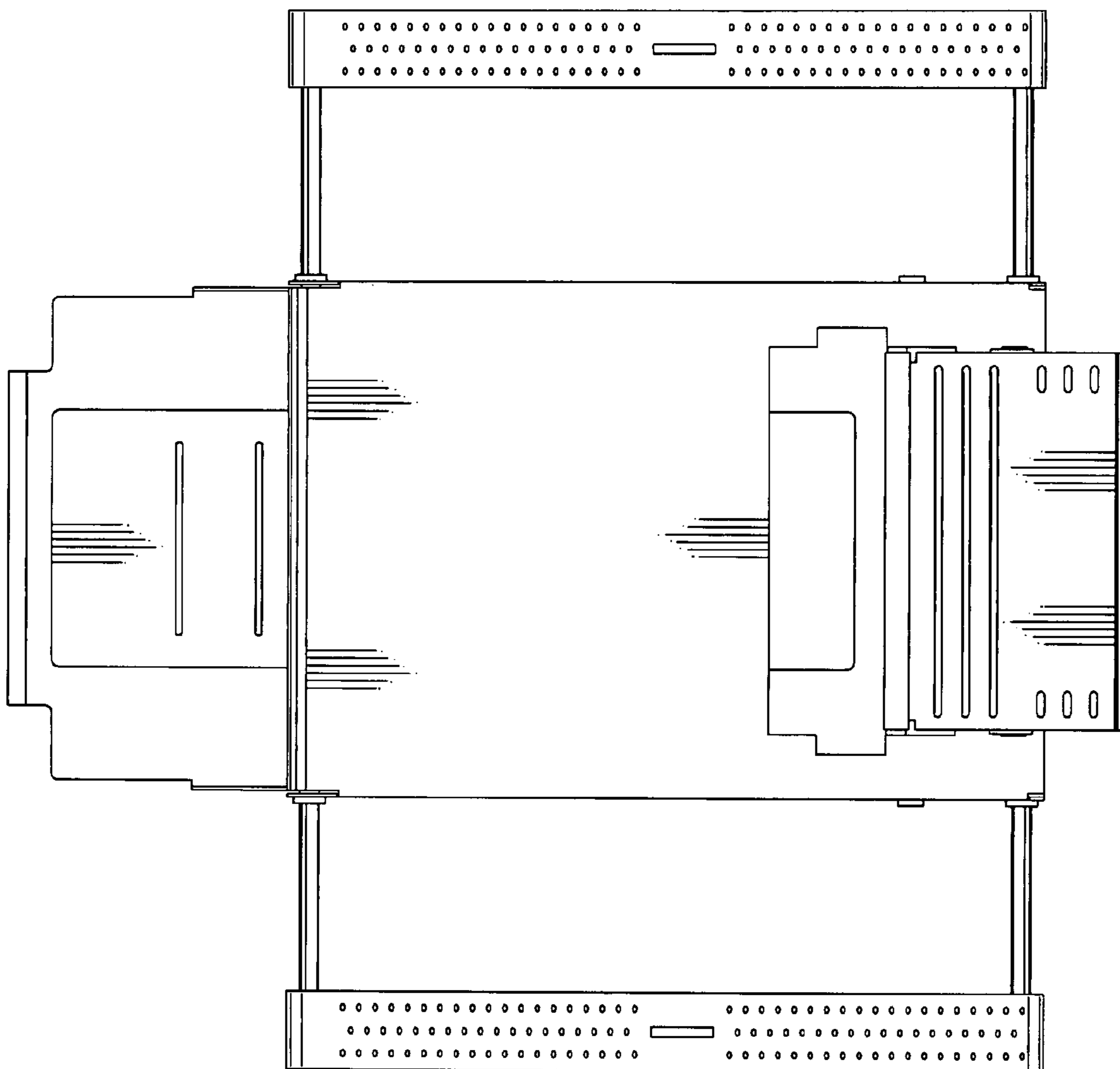


Fig. 4

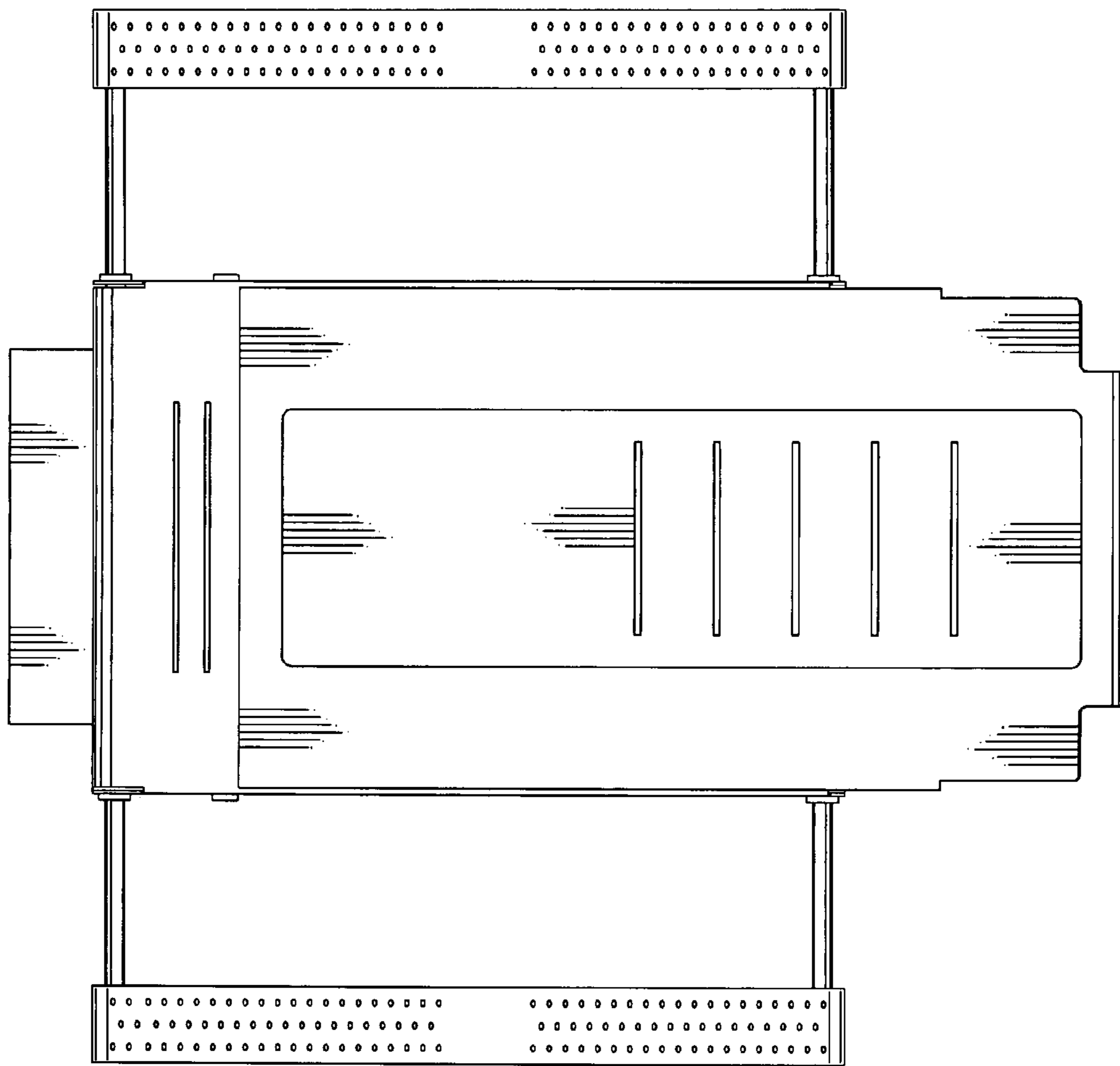


Fig. 5

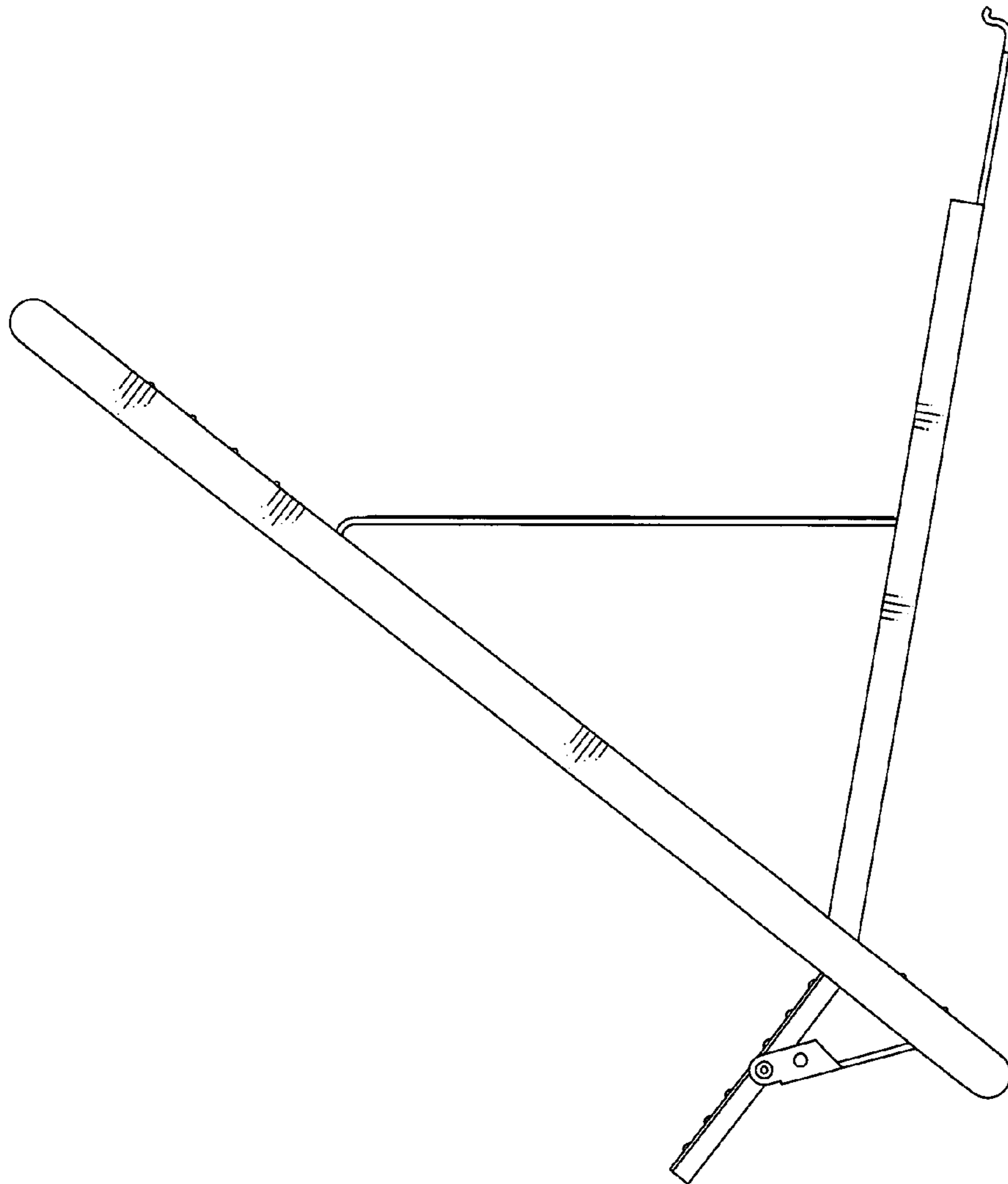


Fig. 6