



US00D573597S

(12) **United States Design Patent**  
**Shieh**

(10) **Patent No.:** **US D573,597 S**  
(45) **Date of Patent:** **\*\* Jul. 22, 2008**

(54) **HEAT DISSIPATING DEVICE FOR A NOTEBOOK COMPUTER**

(76) Inventor: **Tong-Wen Shieh**, P.O. Box 44 - 2049, Taipei (TW) 10668

(\*\*) Term: **14 Years**

(21) Appl. No.: **29/272,417**

(22) Filed: **Feb. 8, 2007**

(51) **LOC (8) Cl.** ..... **14-02**

(52) **U.S. Cl.** ..... **D14/439**

(58) **Field of Classification Search** ..... D14/439, D14/447; 361/686-688, 690-697, 681, 683, 361/679, 715; 320/115; 165/80.3; 248/349.1, 248/918; 454/184; D23/314, 332, 355, 370, D23/386-387

See application file for complete search history.

(56) **References Cited**

**U.S. PATENT DOCUMENTS**

- 6,071,082 A \* 6/2000 Lecinski et al. .... 417/53
- 6,233,148 B1 \* 5/2001 Shen ..... 361/695
- 6,236,564 B1 \* 5/2001 Fan ..... 361/695
- 6,239,971 B1 \* 5/2001 Yu et al. .... 361/695

- 6,707,668 B2 \* 3/2004 Huang ..... 361/687
- 6,738,256 B2 \* 5/2004 Hsieh et al. .... 361/687
- 6,781,833 B2 \* 8/2004 Lu ..... 361/695
- 6,795,315 B1 \* 9/2004 Wu et al. .... 361/695

\* cited by examiner

*Primary Examiner*—Melanie Tung  
*Assistant Examiner*—Susan Moon Lee

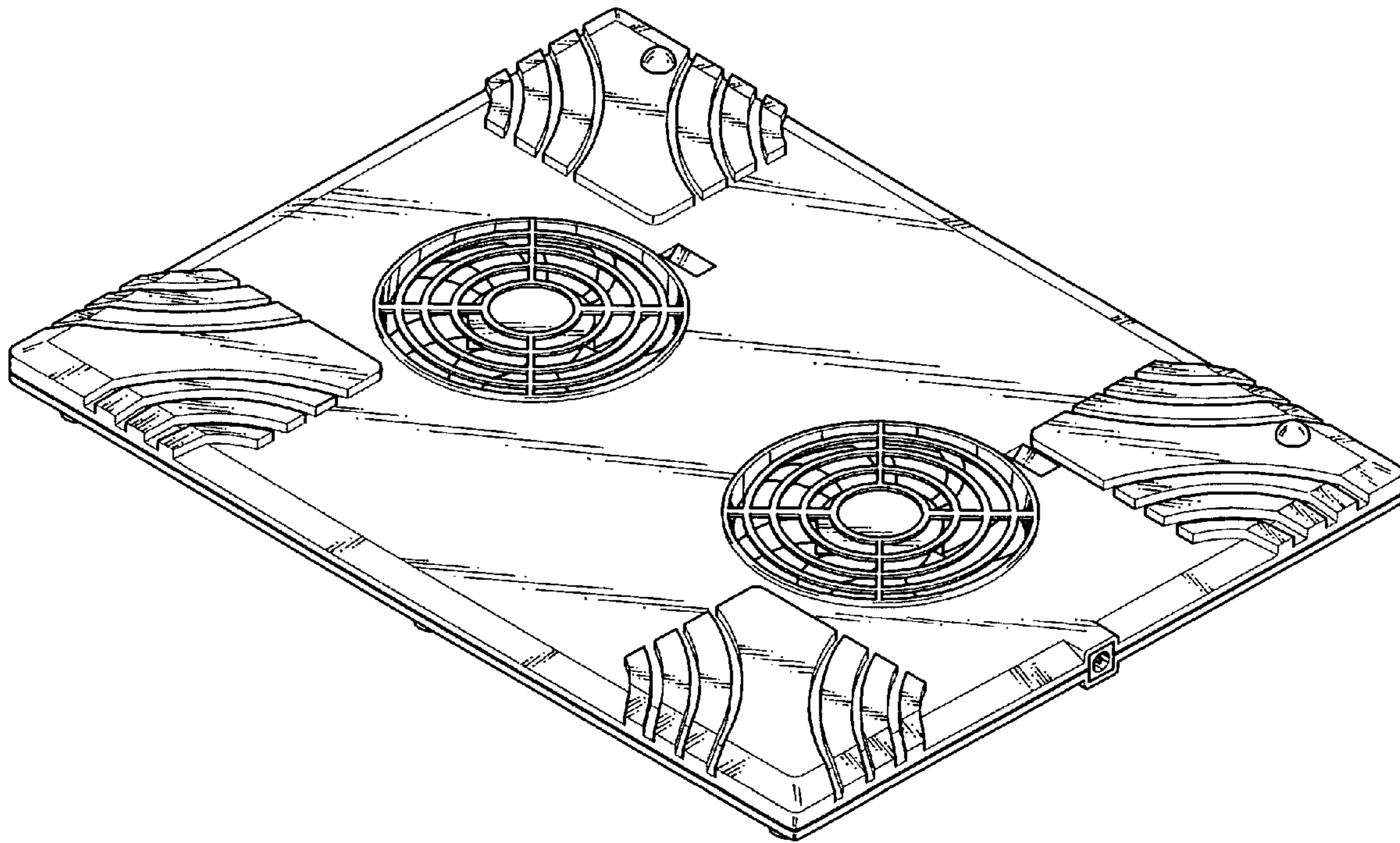
(57) **CLAIM**

The ornamental design for a heat dissipating device for a notebook computer, as shown and described.

**DESCRIPTION**

- FIG. 1 is a perspective view of a heat dissipating device for a notebook computer;
- FIG. 2 is a front view thereof;
- FIG. 3 is a back view thereof;
- FIG. 4 is a left view thereof;
- FIG. 5 is a right view thereof;
- FIG. 6 is a top view thereof; and,
- FIG. 7 is a bottom view thereof.

**1 Claim, 5 Drawing Sheets**



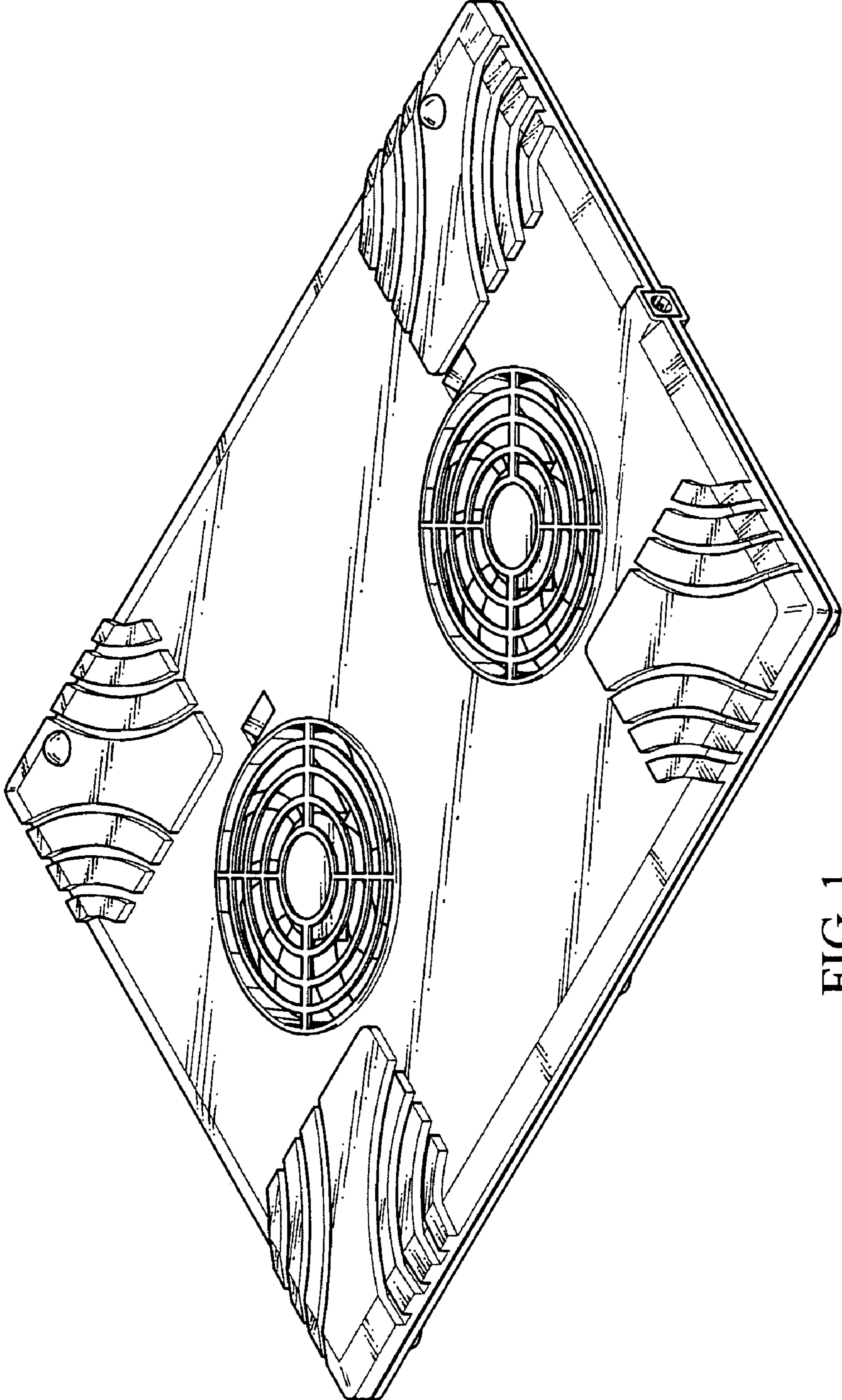


FIG. 1



FIG. 2



FIG. 3

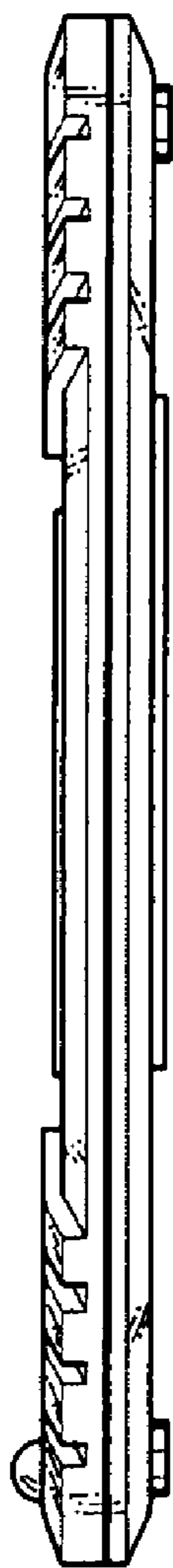


FIG. 4

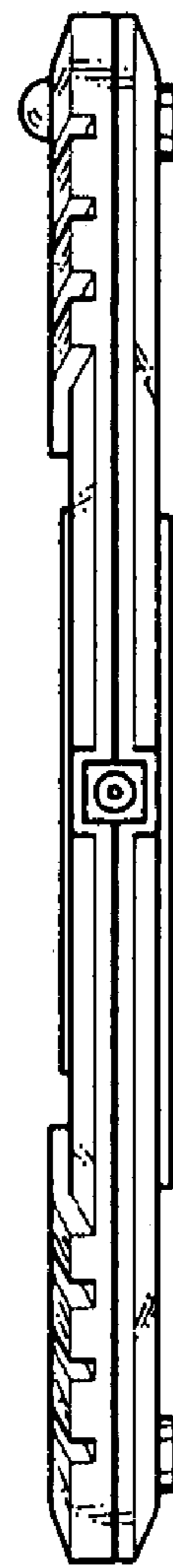


FIG. 5

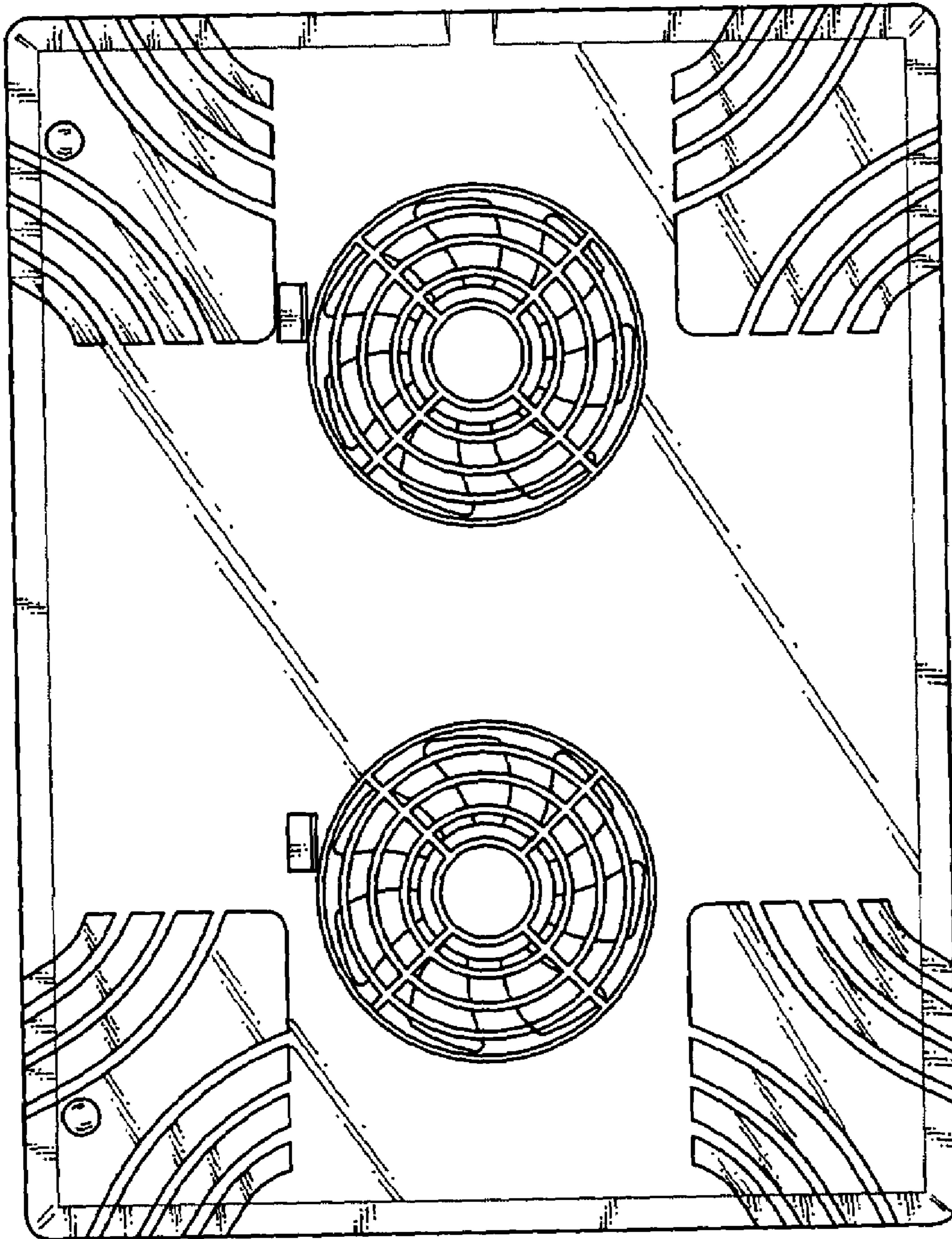


FIG. 6

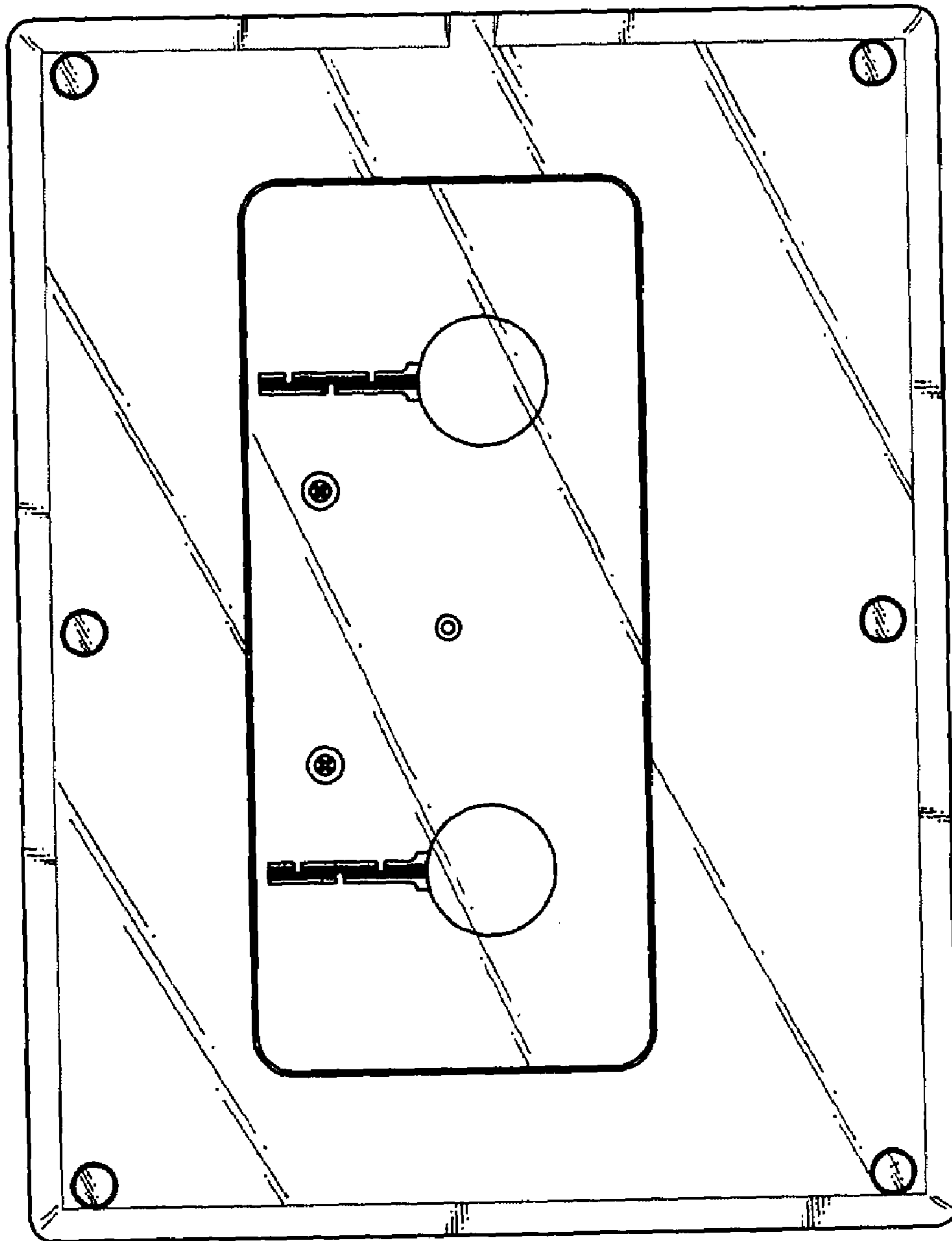


FIG. 7