



US00D573592S

(12) **United States Design Patent**
Divine et al.

(10) **Patent No.:** **US D573,592 S**
(45) **Date of Patent:** **** Jul. 22, 2008**

(54) **AUDIO COMPONENT FRONT FACE**

(75) Inventors: **Brian Divine**, South Bend, IN (US);
Philip S. McPhee, South Bend, IN (US)

(73) Assignee: **Harman International Industries, Incorporated**, Northridge, CA (US)

(*) Notice: This patent is subject to a terminal disclaimer.

(**) Term: **14 Years**

(21) Appl. No.: **29/296,060**

(22) Filed: **Oct. 12, 2007**

Related U.S. Application Data

(62) Division of application No. 29/251,630, filed on Jan. 10, 2006, now Pat. No. Des. 558,194.

(51) **LOC (8) Cl.** **14-01**

(52) **U.S. Cl.** **D14/257**

(58) **Field of Classification Search** D14/257,
D14/258, 224, 217, 198, 197, 193, 192, 188,
D14/168, 167, 165, 164, 163, 162, 161, 160,
D14/157, 156, 154, 136, 135; 720/691, 658,
720/270; 455/344, 575.1; 396/434, 93; 386/1;
369/93, 75.1; 360/47, 4; 359/550, 258; 349/460,
349/159, 10

See application file for complete search history.

(56) **References Cited**

U.S. PATENT DOCUMENTS

D355,197 S * 2/1995 Farinelli et al. D14/257
D373,589 S 9/1996 Peterson et al.

D390,850 S 2/1998 Larson et al.
D483,753 S 12/2003 Goodsene et al.
D497,906 S 11/2004 Kellom et al.
D517,059 S 3/2006 Newby et al.
D529,479 S * 10/2006 Wolf et al. D14/188
D536,699 S * 2/2007 Silva et al. D14/257
D540,787 S 4/2007 Potosky et al.
D558,195 S * 12/2007 Divine et al. D14/257

* cited by examiner

Primary Examiner—Robert M. Spear

Assistant Examiner—Katrina A Kile

(74) *Attorney, Agent, or Firm*—Plumsea Law Group, LLC

(57) **CLAIM**

The ornamental design for an audio component front face, as shown and described.

DESCRIPTION

FIG. 1 is a perspective view of an audio component front face showing my new design;

FIG. 2 is a front elevational view thereof;

FIG. 3 is a left side elevational view thereof;

FIG. 4 is a right side elevational view thereof;

FIG. 5 is a cross-sectional view taken through line 5—5 of FIG. 2;

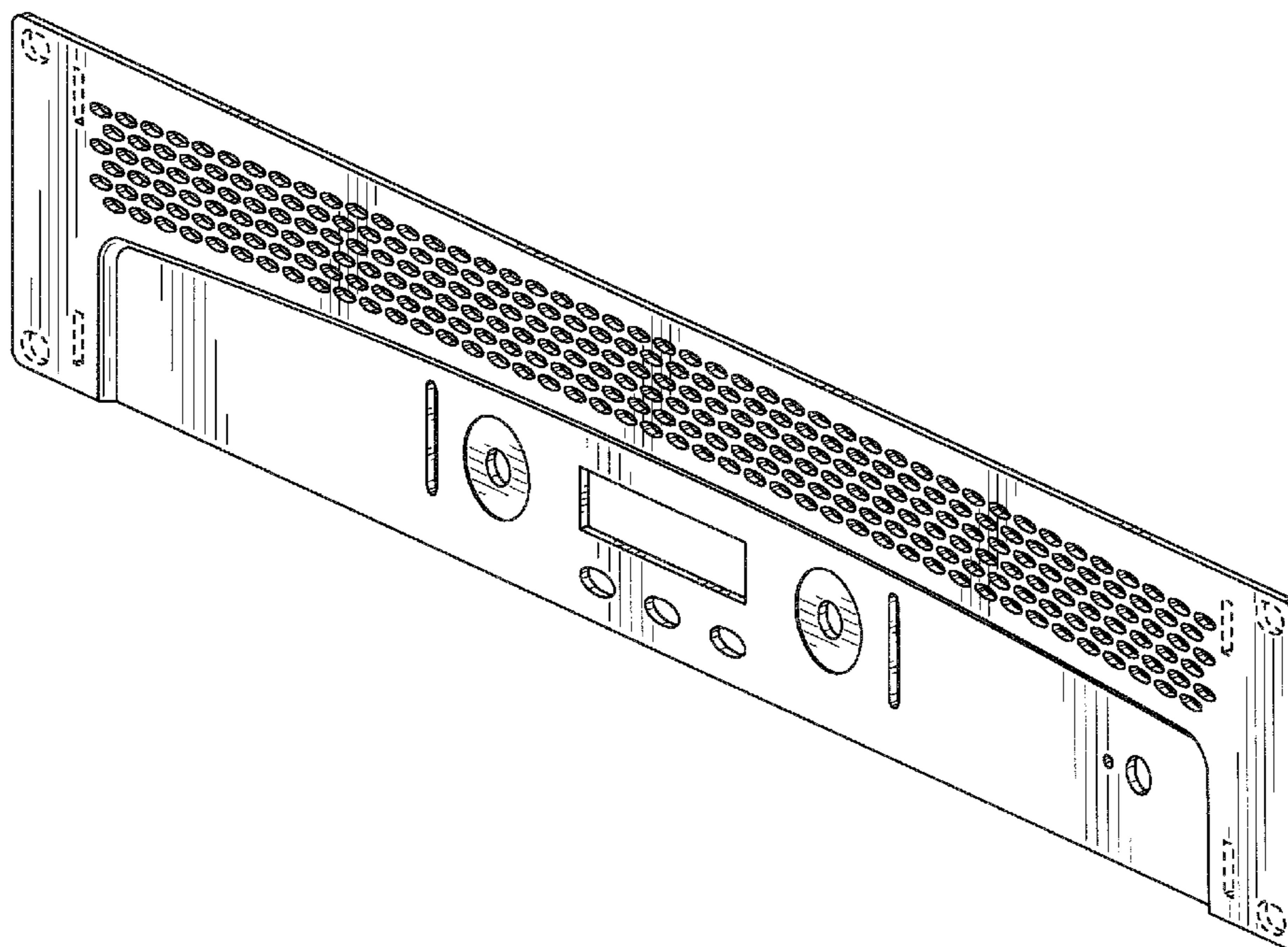
FIG. 6 is a top plan view thereof;

FIG. 7 is a bottom plan view thereof; and,

FIG. 8 is a rear elevational view thereof.

The broken line showings of the ovals and slots in the corners of the face plate are for illustrative purposes only and form no part of the claimed design.

1 Claim, 3 Drawing Sheets



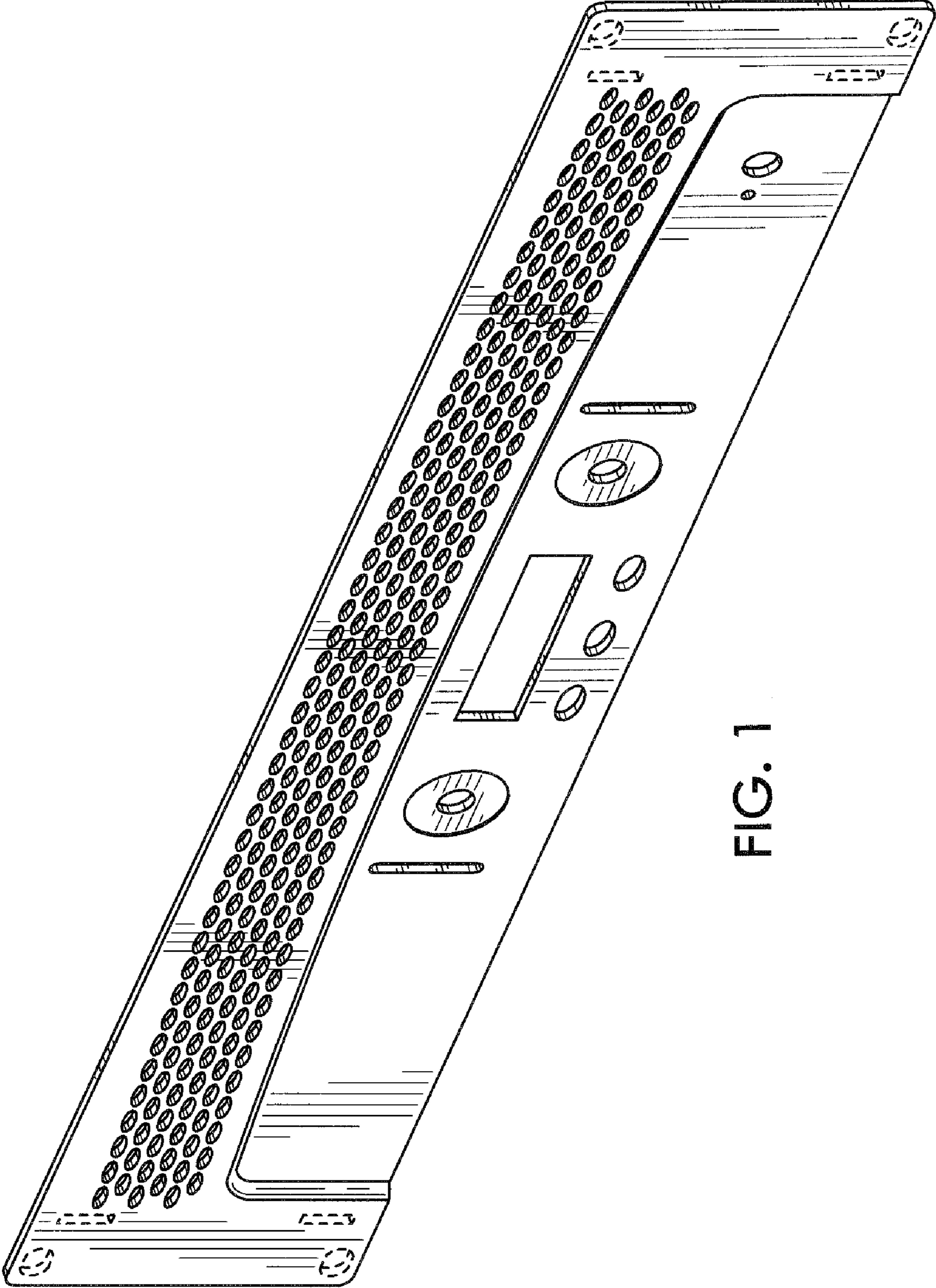


FIG. 1

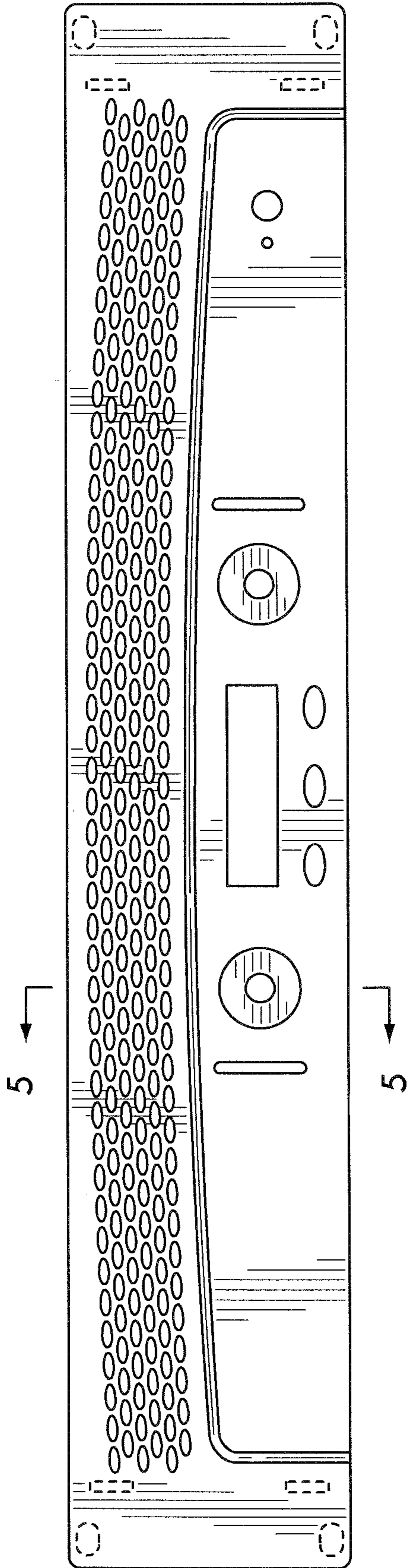


FIG. 2

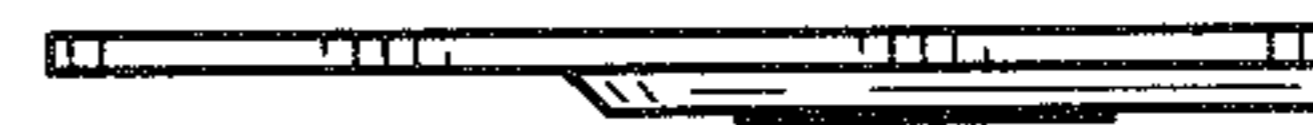


FIG. 3



FIG. 4



FIG. 5

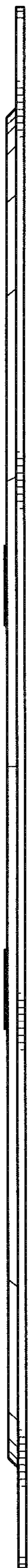


FIG. 6



FIG. 7

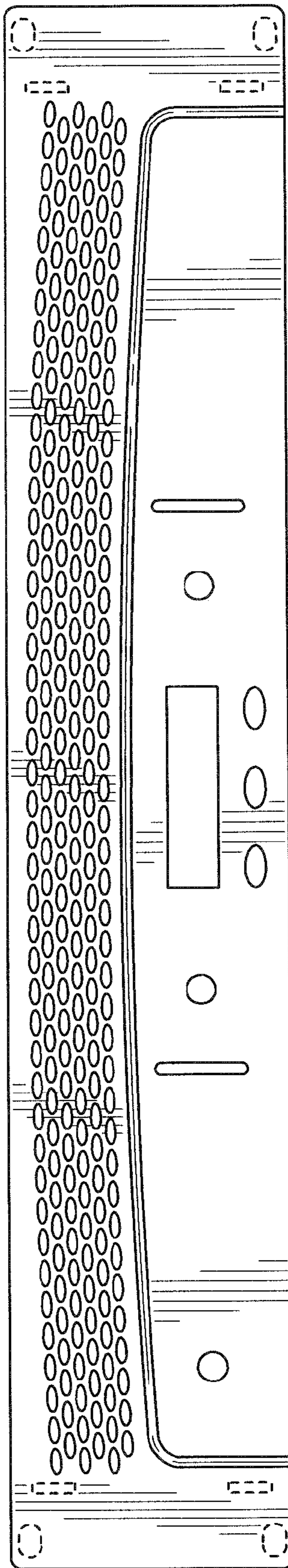


FIG. 8