



US00D573590S

(12) **United States Design Patent**
Montgomery

(10) **Patent No.:** **US D573,590 S**

(45) **Date of Patent:** **** Jul. 22, 2008**

(54) **ANTENNA STRUCTURE**

(75) Inventor: **Mark T. Montgomery**, Melbourne Beach, FL (US)

(73) Assignee: **SkyCross, Inc.**, Viera, FL (US)

(**) Term: **14 Years**

(21) Appl. No.: **29/282,578**

(22) Filed: **Jul. 24, 2007**

(51) **LOC (8) Cl.** **14-03**

(52) **U.S. Cl.** **D14/230**

(58) **Field of Classification Search** D14/138,
D14/230-238, 299, 358; D12/42, 43; 343/700 MS,
343/700 R-705, 711-713, 741, 748, 767,
343/795, 819, 840, 846, 866, 871-908; 455/90.2,
455/90.3, 91, 128, 269, 344, 347, 562.1
See application file for complete search history.

(56) **References Cited**

U.S. PATENT DOCUMENTS

4,335,385	A *	6/1982	Hall	343/700 MS
D275,100	S *	8/1984	Mann et al.	D14/236
5,867,126	A *	2/1999	Kawahata et al.	343/702
6,642,893	B1 *	11/2003	Hebron et al.	343/702
D555,154	S *	11/2007	Lin et al.	D14/230
2002/0149521	A1 *	10/2002	Hendler et al.	343/700 MS

2003/0006940	A1 *	1/2003	Washiro et al.	343/895
2008/0018537	A1 *	1/2008	Tseng et al.	343/700 MS

* cited by examiner

Primary Examiner—Robert M. Spear

Assistant Examiner—John Windmuller

(74) *Attorney, Agent, or Firm*—Rajesh Vallabh; Boston IP Law Group

(57) **CLAIM**

The ornamental design for an antenna structure, as shown and described.

DESCRIPTION

FIG. 1 is a perspective view of an antenna structure showing my new design;

FIG. 2 is an inverted rear elevational view thereof;

FIG. 3 is a left side elevational view thereof;

FIG. 4 is a top plan view thereof;

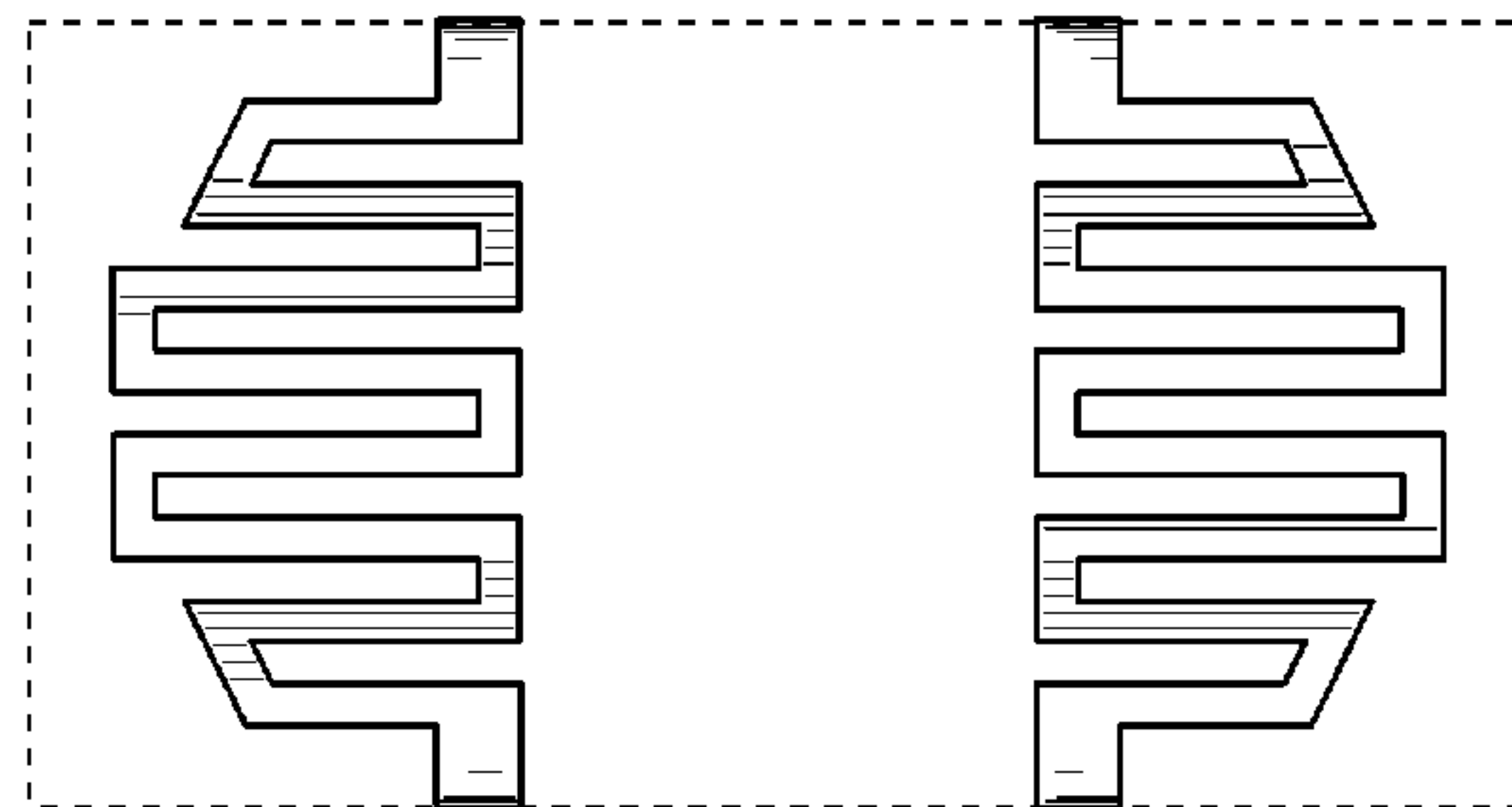
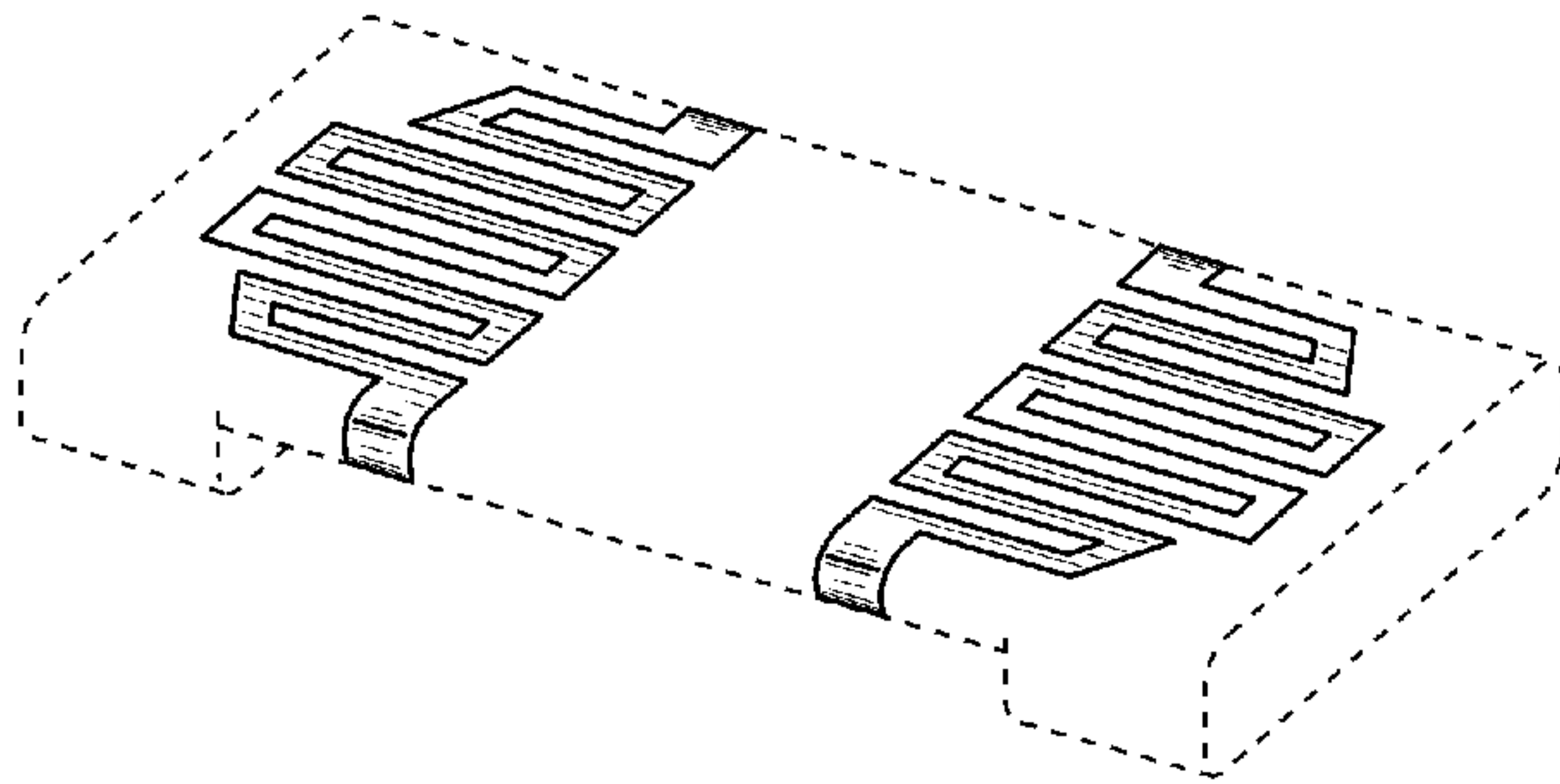
FIG. 5 is a right side elevational view thereof;

FIG. 6 is a front elevational view thereof; and,

FIG. 7 is a bottom plan view thereof.

The portions shown in broken lines are for illustrative purposes only and do not form any part of the claimed design.

1 Claim, 1 Drawing Sheet



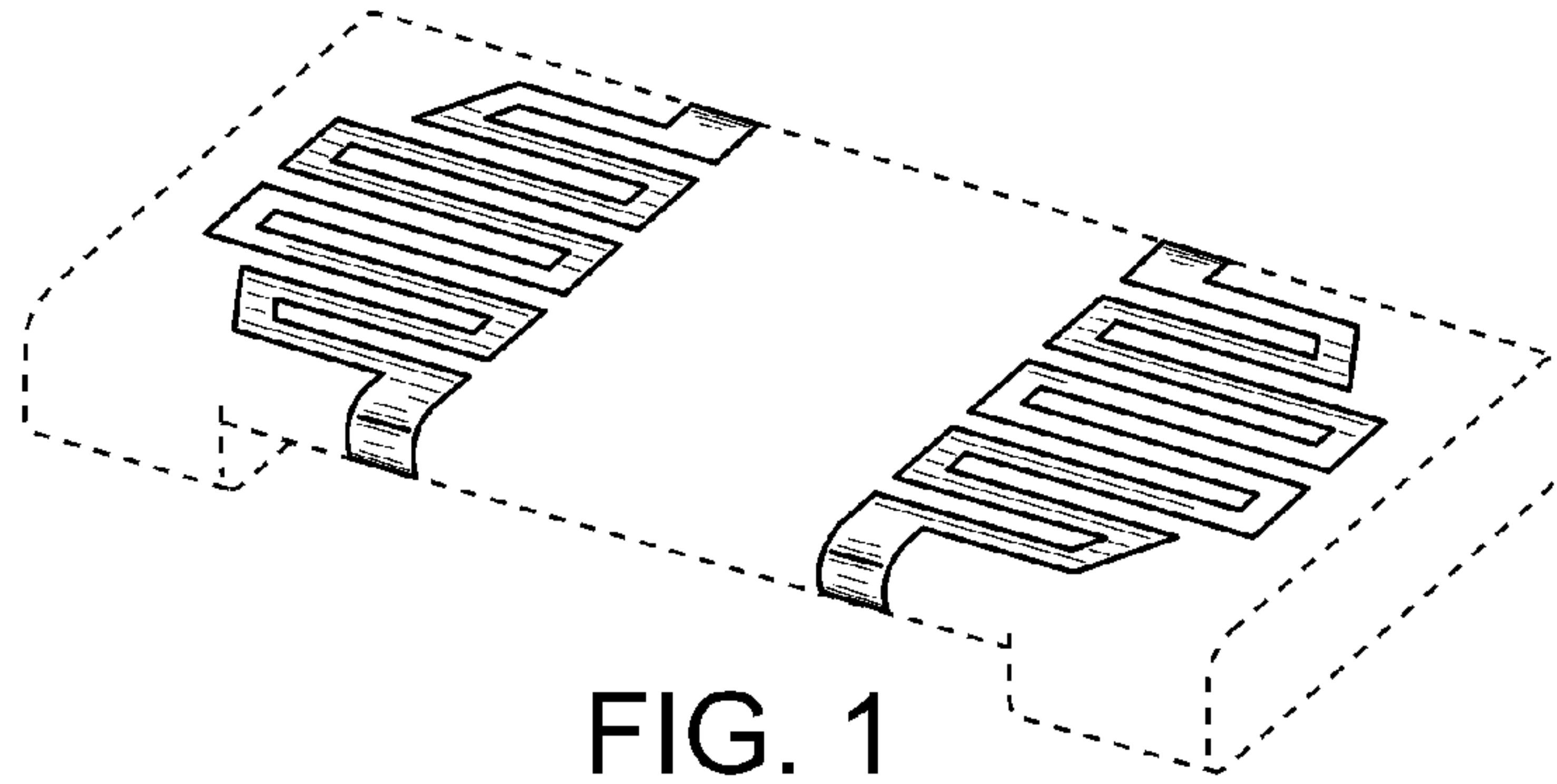


FIG. 1

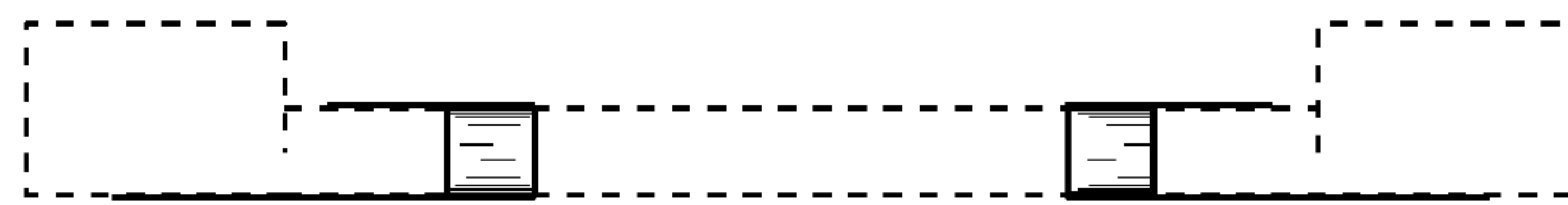


FIG. 2

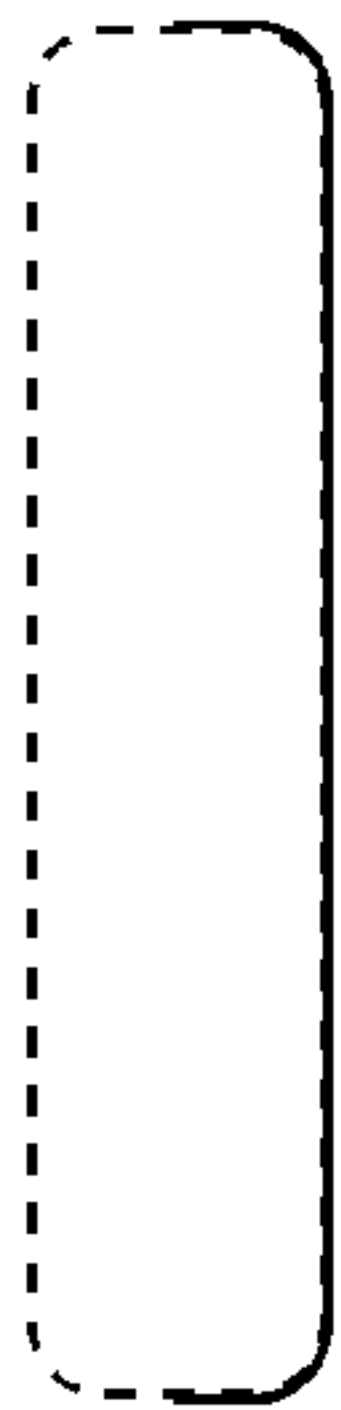


FIG. 3

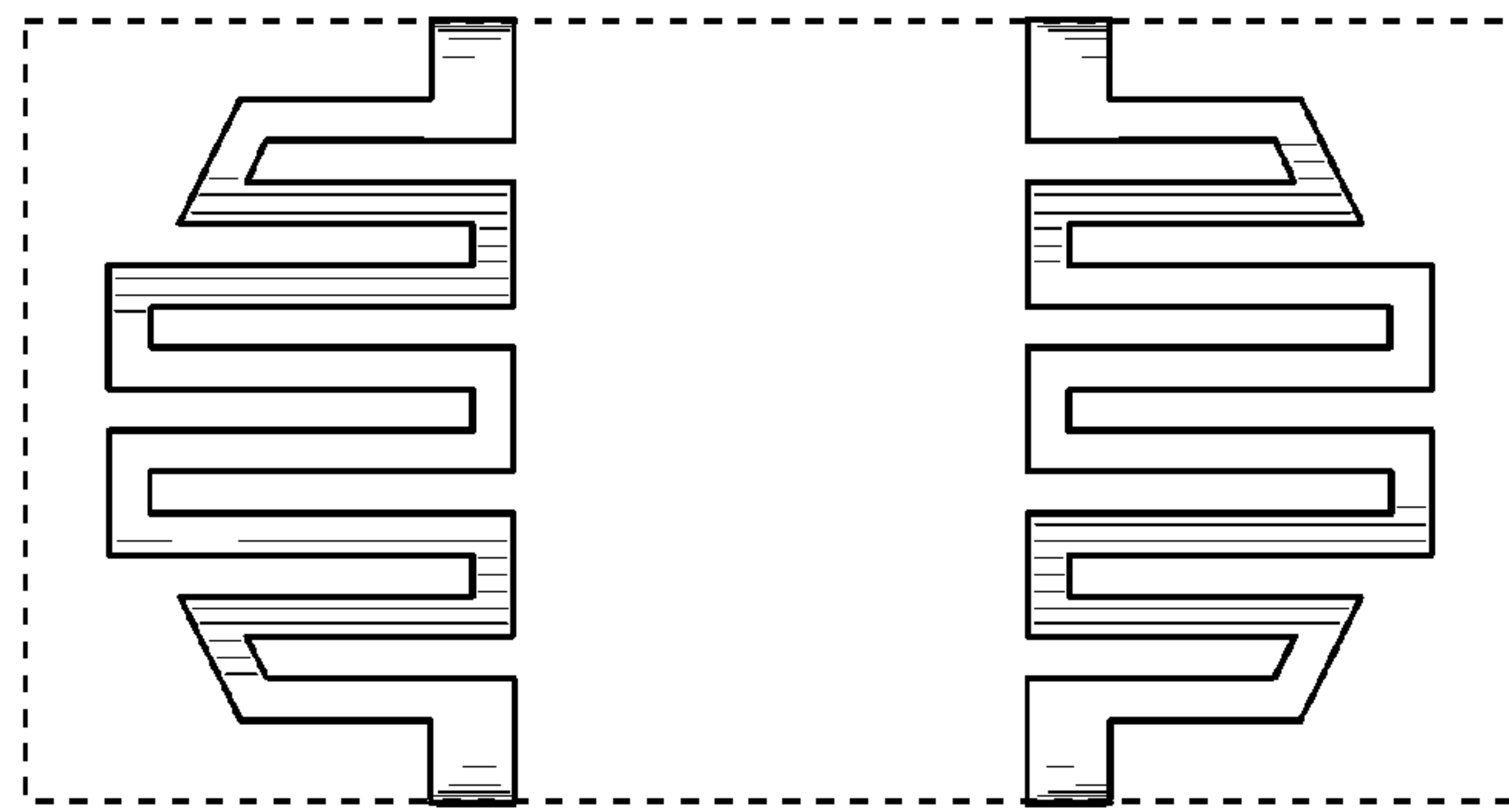


FIG. 4

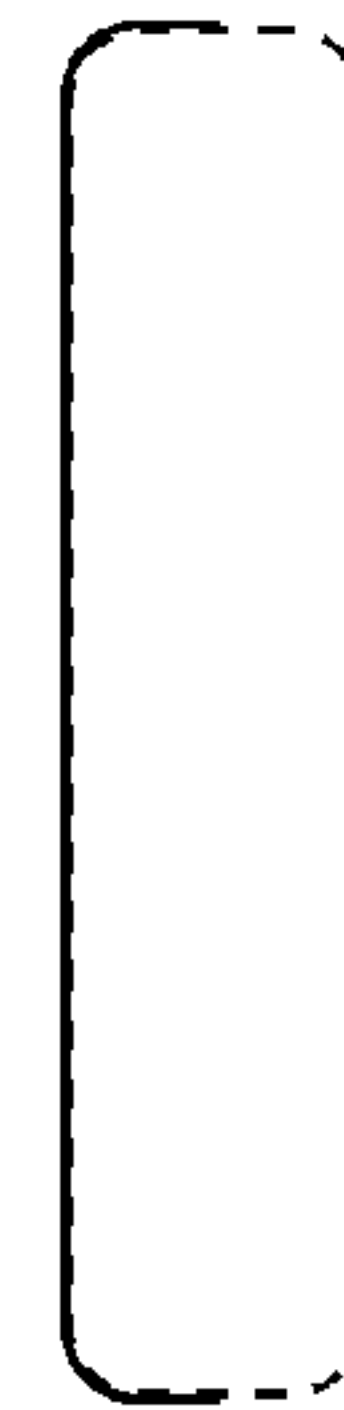


FIG. 5

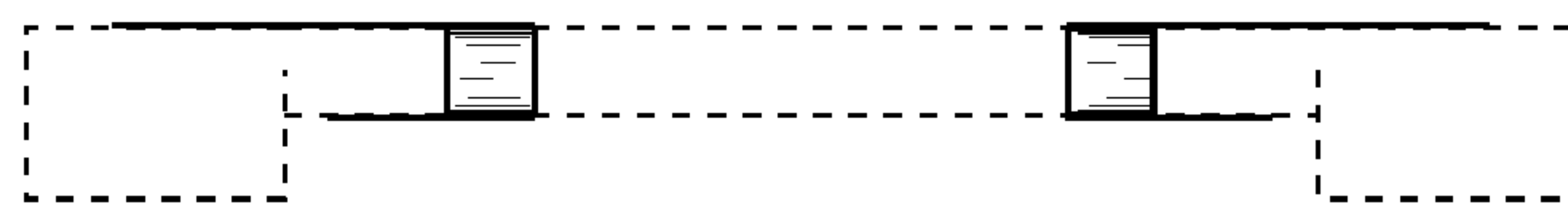


FIG. 6

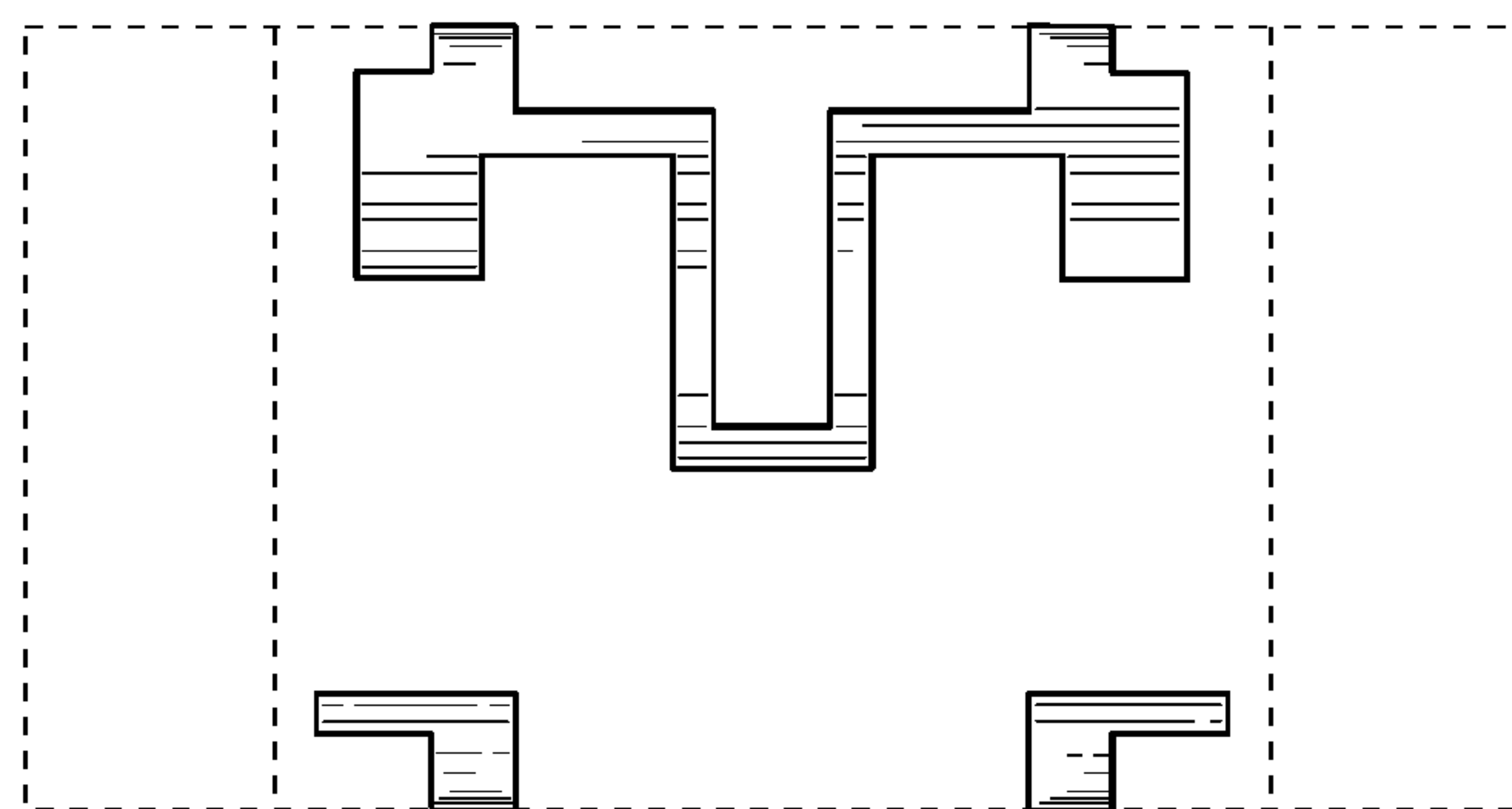


FIG. 7