



US00D573589S

(12) **United States Design Patent**
Montgomery et al.

(10) **Patent No.:** **US D573,589 S**
(45) **Date of Patent:** **** Jul. 22, 2008**

(54) **ANTENNA STRUCTURE**

(75) Inventors: **Mark T. Montgomery**, Melbourne Beach, FL (US); **Paul A. Tornatta, Jr.**, Melbourne, FL (US)

(73) Assignee: **SkyCross, Inc.**, Viera, FL (US)

(**) Term: **14 Years**

(21) Appl. No.: **29/281,429**

(22) Filed: **Jun. 22, 2007**

(51) **LOC (8) Cl.** **14-03**

(52) **U.S. Cl.** **D14/230**

(58) **Field of Classification Search** D14/138, D14/230-238, 299, 358; D12/42, 43; 343/700 MS, 343/700 R-705, 711-713, 741, 748, 767, 343/795, 819, 840, 846, 866, 871-908; 455/90.2, 455/90.3, 91, 128, 269, 344, 347, 562.1
See application file for complete search history.

(56) **References Cited**

U.S. PATENT DOCUMENTS

D209,969 S *	1/1968	Greenberg	D14/230
D314,326 S *	2/1991	Sachs	D8/373
D492,670 S *	7/2004	Hung et al.	D14/230
D546,820 S *	7/2007	Oliver	D14/230
D546,821 S *	7/2007	Oliver	D14/230
D546,822 S *	7/2007	Oliver	D14/230

D555,154 S *	11/2007	Lin et al.	D14/230
2003/0006940 A1 *	1/2003	Washiro et al.	343/700 MS
2005/0024287 A1 *	2/2005	Jo et al.	343/822
2006/0208900 A1 *	9/2006	Tavassoli Hozouri	340/572.7
2008/0007463 A1 *	1/2008	Chen	343/702
2008/0018537 A1 *	1/2008	Tseng et al.	343/700 MS

* cited by examiner

Primary Examiner—Robert M. Spear
Assistant Examiner—John Windmuller

(74) *Attorney, Agent, or Firm*—Rajesh Vallabh; Boston IP Law Group

(57) **CLAIM**

The ornamental design for an antenna structure, as shown and described.

DESCRIPTION

FIG. 1 is a perspective view of an antenna structure showing our new design;

FIG. 2 is a right side elevational view thereof;

FIG. 3 is a top plan view thereof;

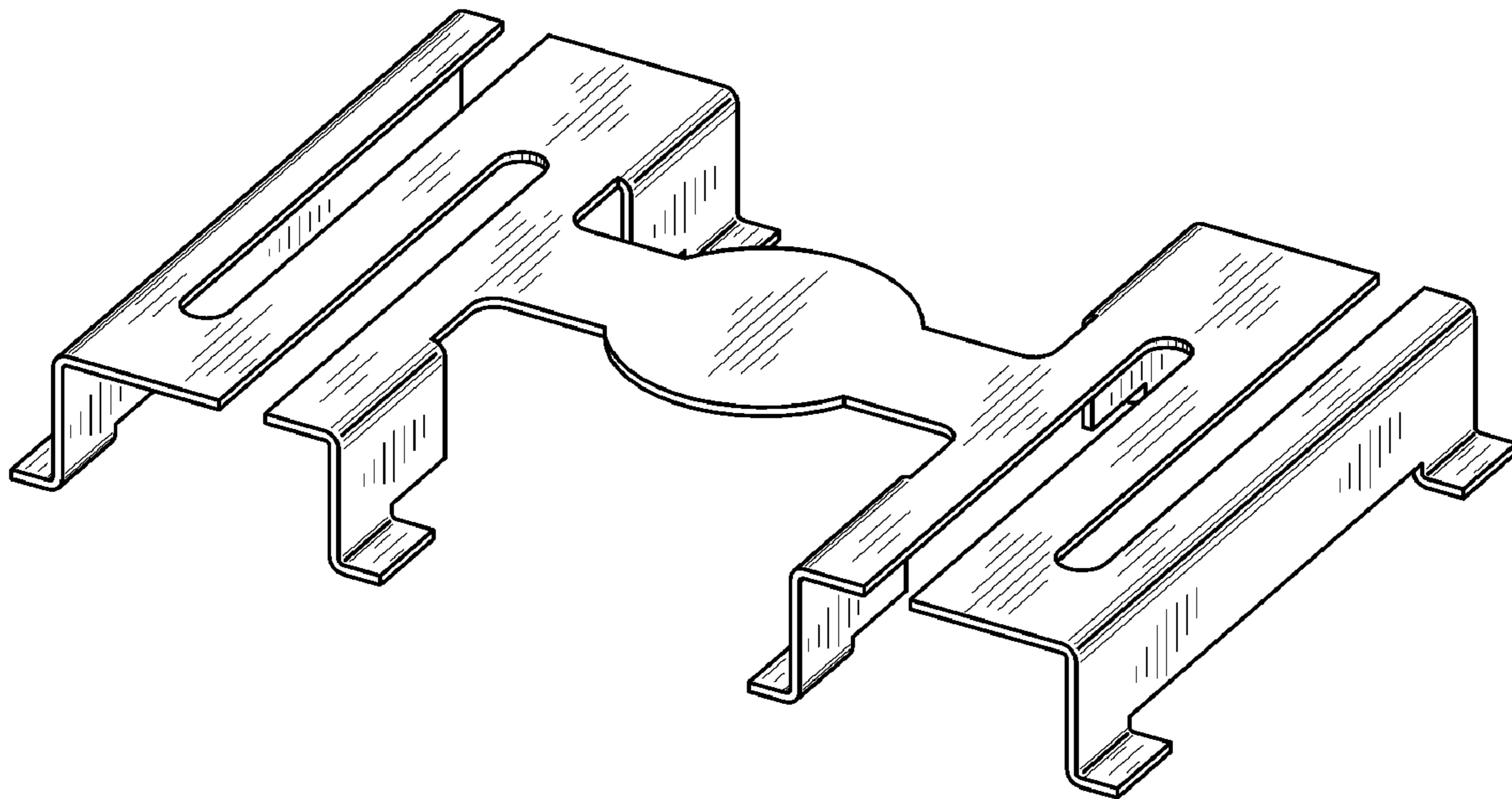
FIG. 4 is a left side elevational view thereof;

FIG. 5 is an inverted rear elevational view thereof;

FIG. 6 is a bottom plan view thereof; and,

FIG. 7 is front elevational view thereof.

1 Claim, 2 Drawing Sheets



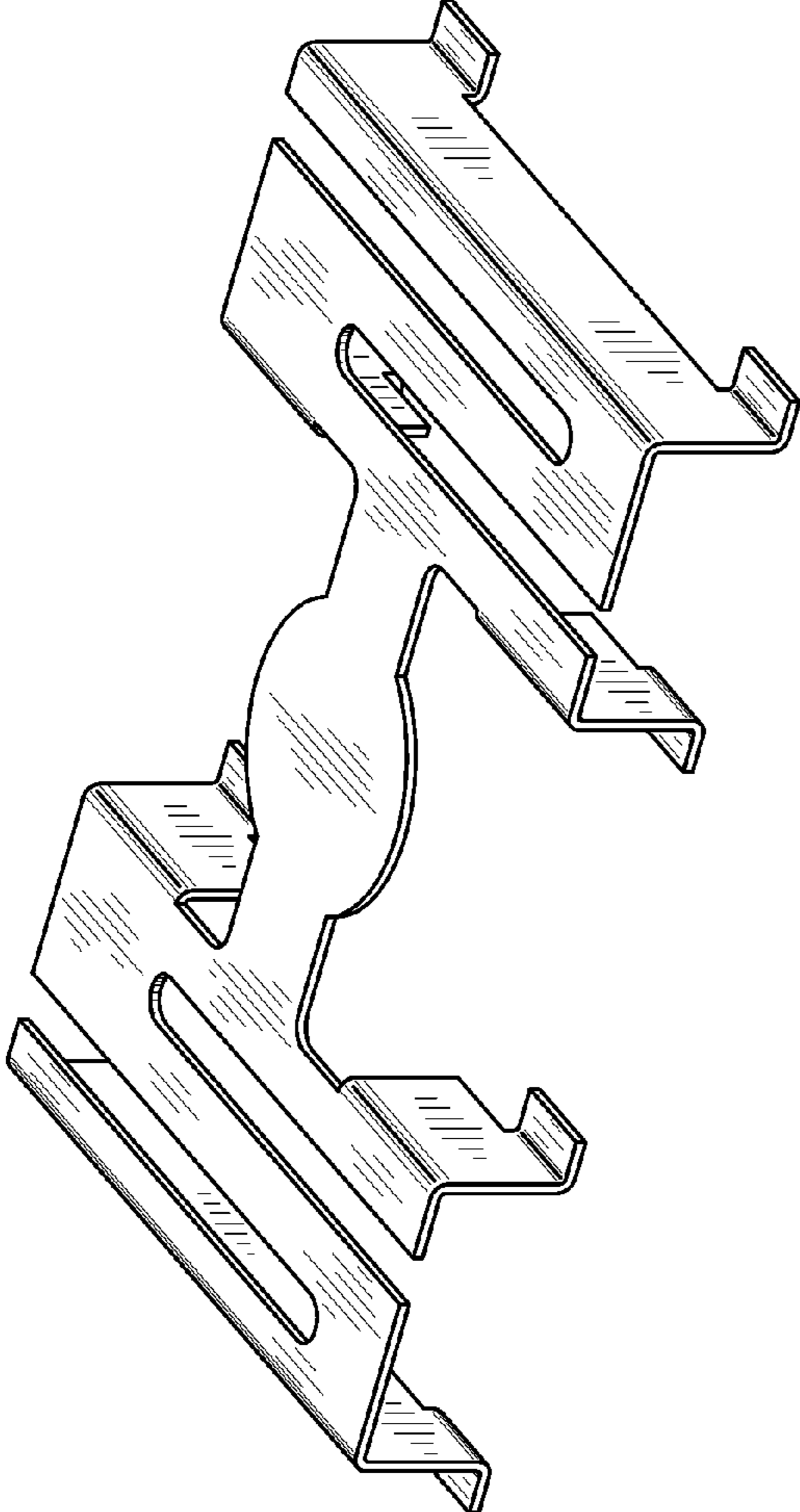


FIG. 1

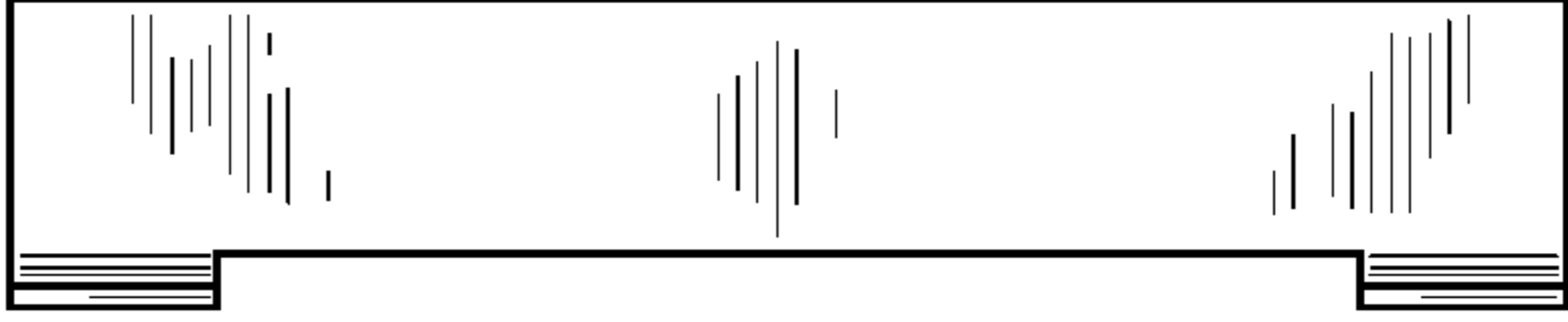


FIG. 4

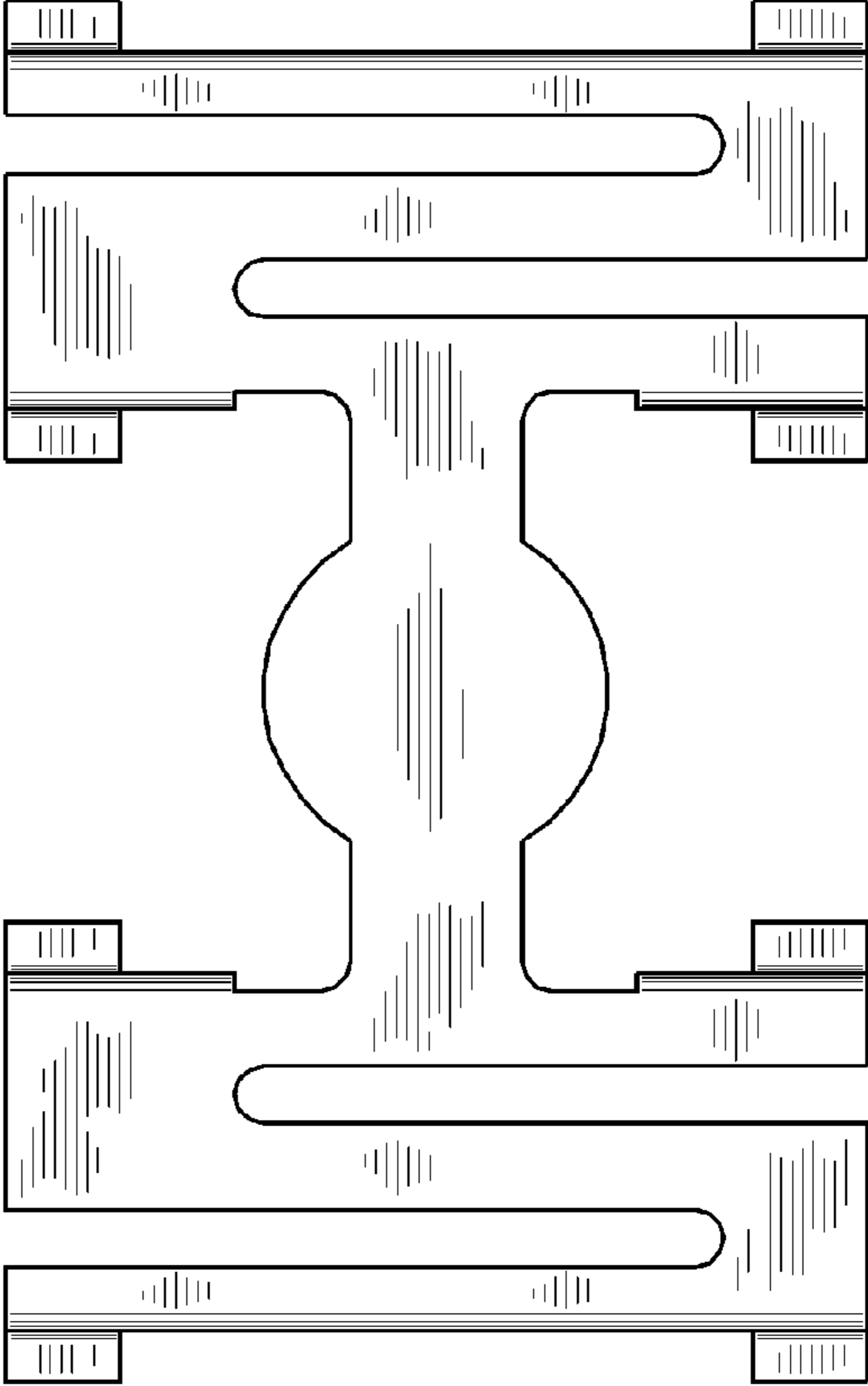


FIG. 3



FIG. 2

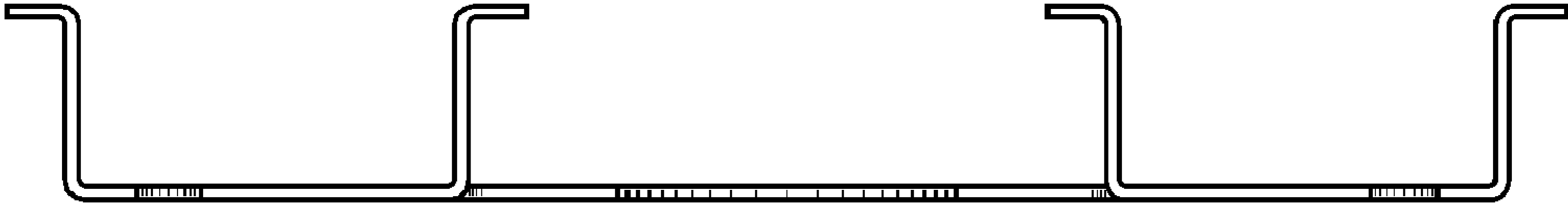


FIG. 5

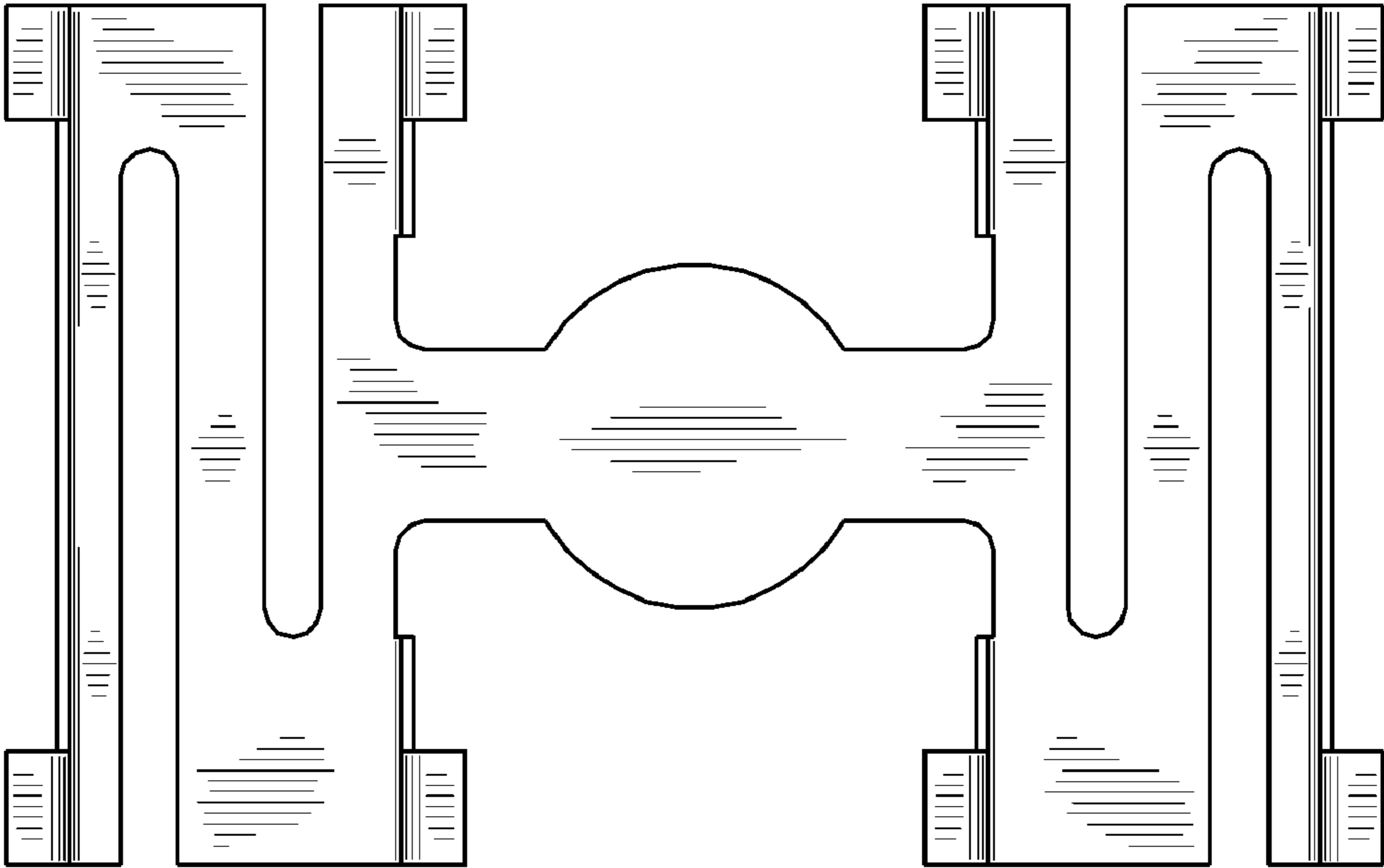


FIG. 6

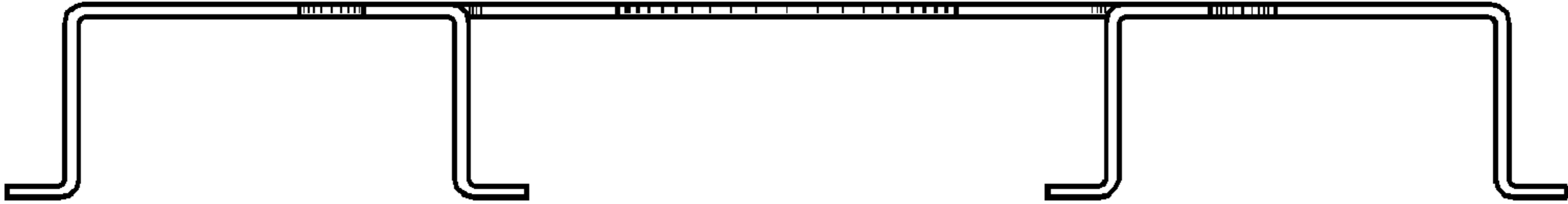


FIG. 7