



US00D573588S

(12) **United States Design Patent**
Warren et al.

(10) **Patent No.:** **US D573,588 S**

(45) **Date of Patent:** **** Jul. 22, 2008**

(54) **ASSISTIVE LISTENING DEVICE**

(75) Inventors: **Daniel Max Warren**, Geneva, IL (US);
Matthew Mial Mason, Algonquin, IL
(US); **Clifford Ryan Grounds**,
Plainfield, IL (US); **Thomas Joschika**,
Sleepy Hollow, IL (US)

(73) Assignee: **Knowles Electronic, LLC**, Itasca, IL
(US)

(**) Term: **14 Years**

(21) Appl. No.: **29/267,979**

(22) Filed: **Oct. 26, 2006**

(51) **LOC (8) Cl.** **14-01**

(52) **U.S. Cl.** **D14/225**

(58) **Field of Classification Search** D14/225;
181/21, 158, 192, 242; 381/174, 191, 355,
381/356, 369, 360, 353

See application file for complete search history.

(56) **References Cited**

U.S. PATENT DOCUMENTS

2,812,826 A * 11/1957 Hawley 181/242
D182,820 S * 5/1958 Kamp D14/225
4,789,044 A * 12/1988 Akino 181/158

5,548,658 A * 8/1996 Ring et al. 381/191
6,401,860 B1 * 6/2002 Ellington et al. 181/242
6,721,432 B1 * 4/2004 Yamamoto 381/355
7,050,597 B2 * 5/2006 Akino 381/356

* cited by examiner

Primary Examiner—Paula A. Greene

(74) *Attorney, Agent, or Firm*—Fitch, Even, Tabin &
Flannery

(57) **CLAIM**

The ornamental design for an assistive listening device, as
shown and described.

DESCRIPTION

FIG. 1 is a perspective view of an assistive listening device
according to our new design;

FIG. 2 is a top plan view thereof;

FIG. 3 is a bottom plan view thereof;

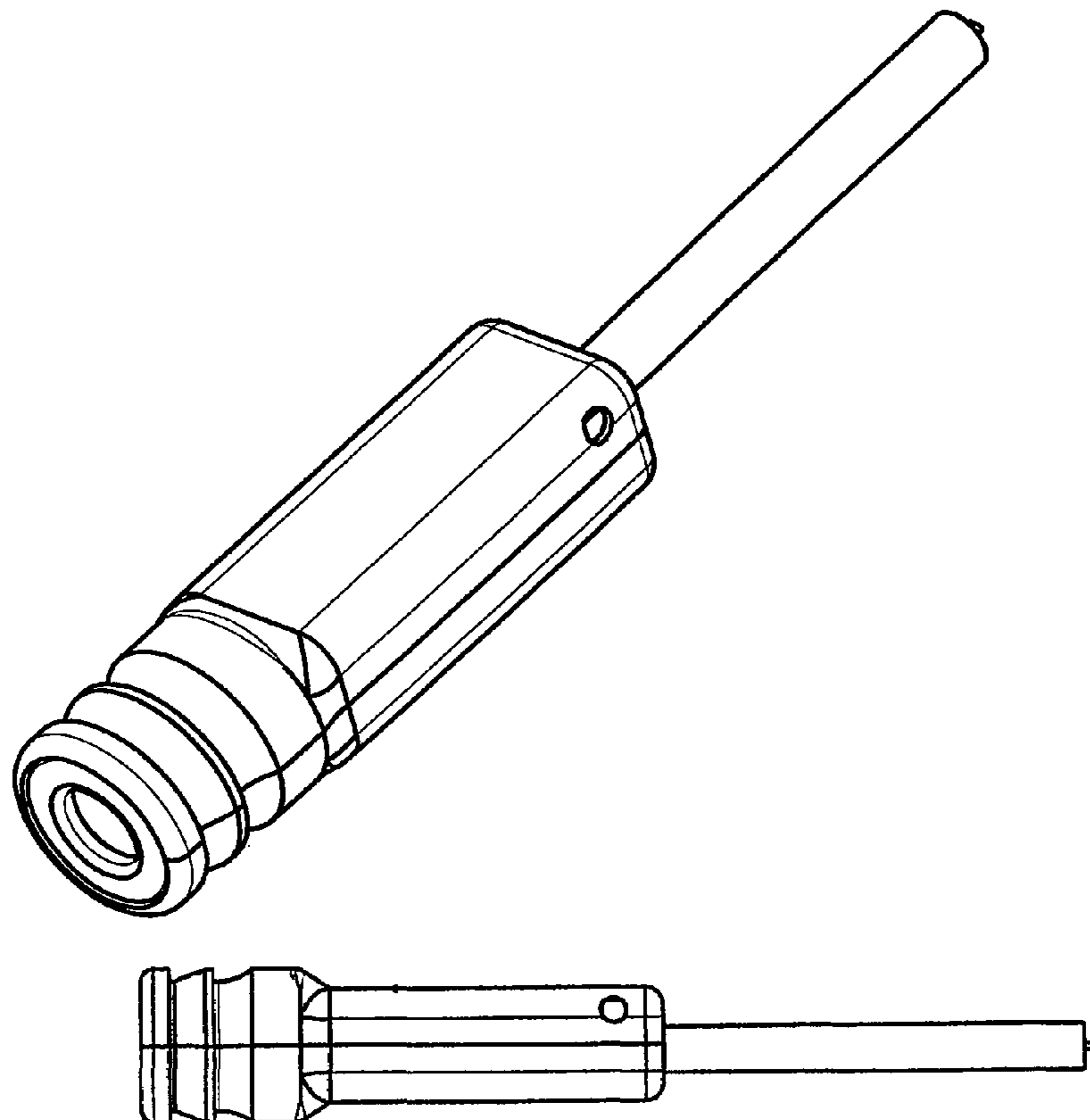
FIG. 4 is a left side view thereof;

FIG. 5 is a right side view thereof;

FIG. 6 is a front view thereof; and,

FIG. 7 is a rear view thereof, the undisclosed portion is not
part of the claimed design.

1 Claim, 2 Drawing Sheets



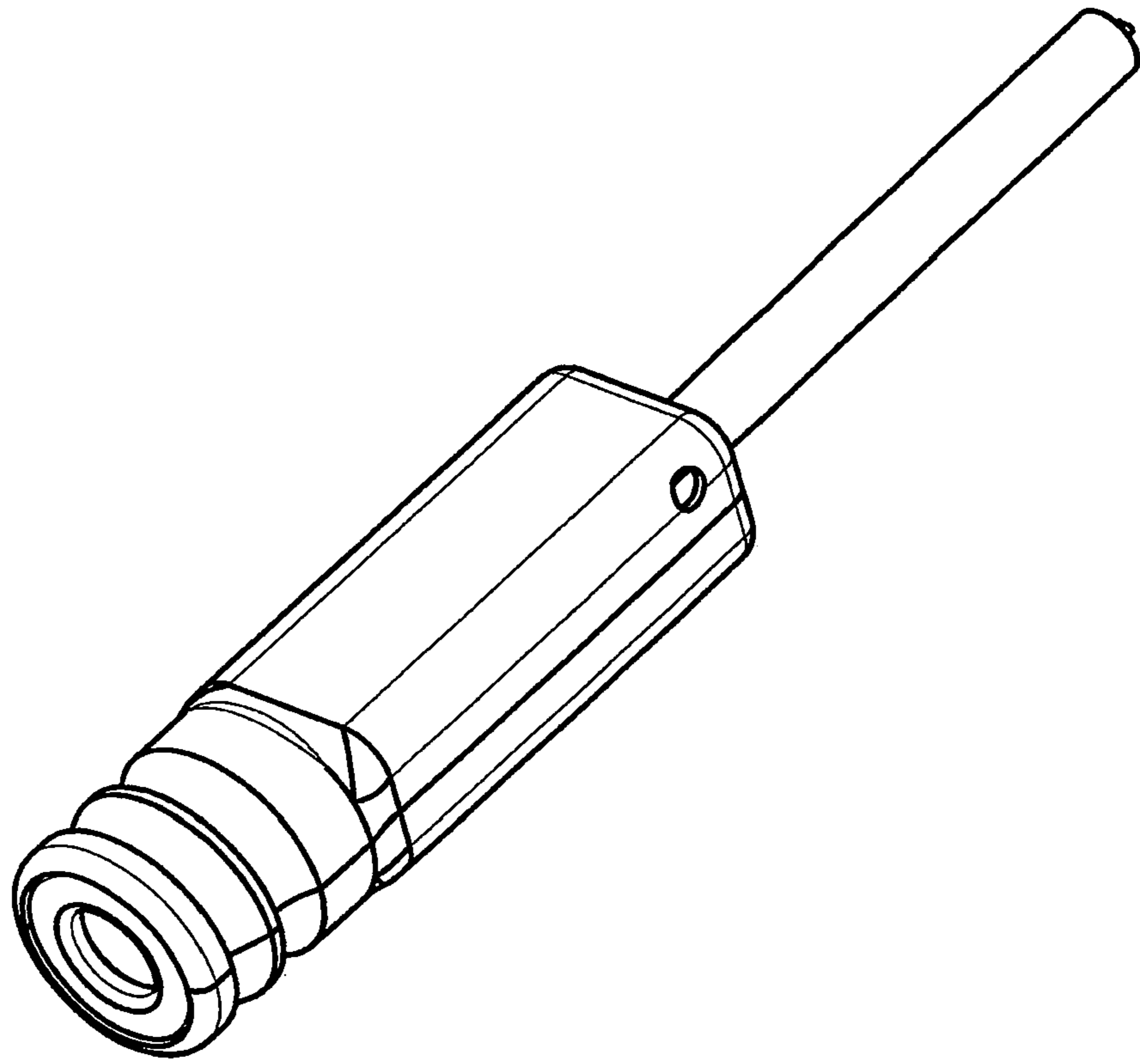


FIG. 1

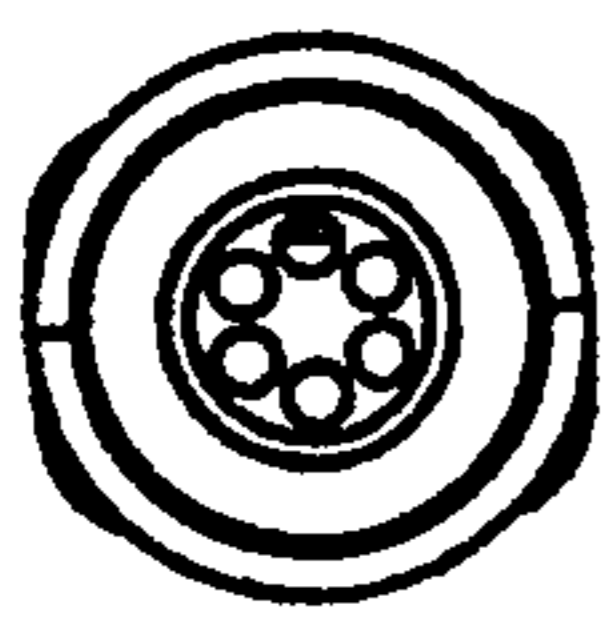


FIG. 6

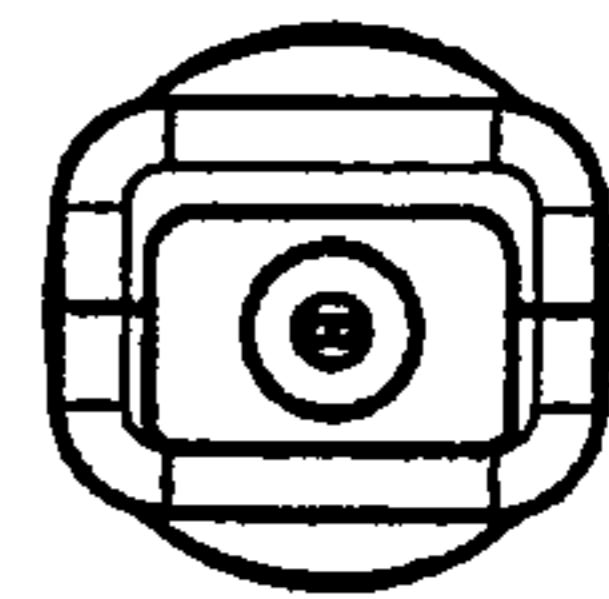


FIG. 7

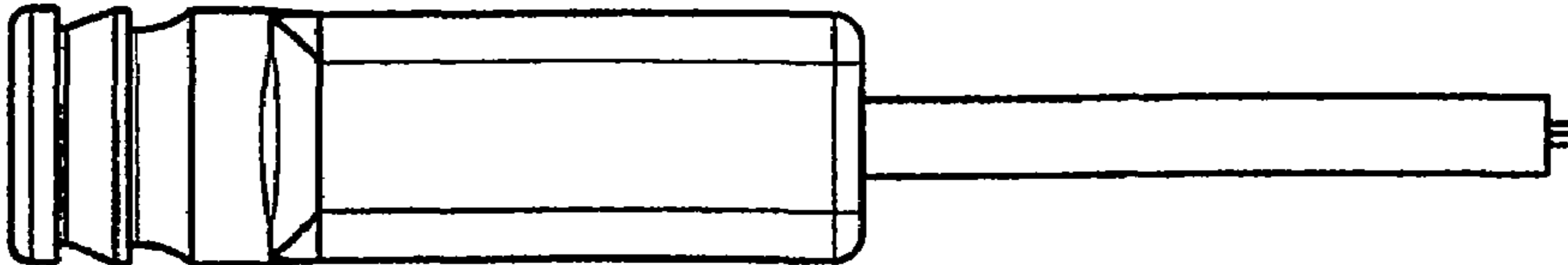


FIG. 2

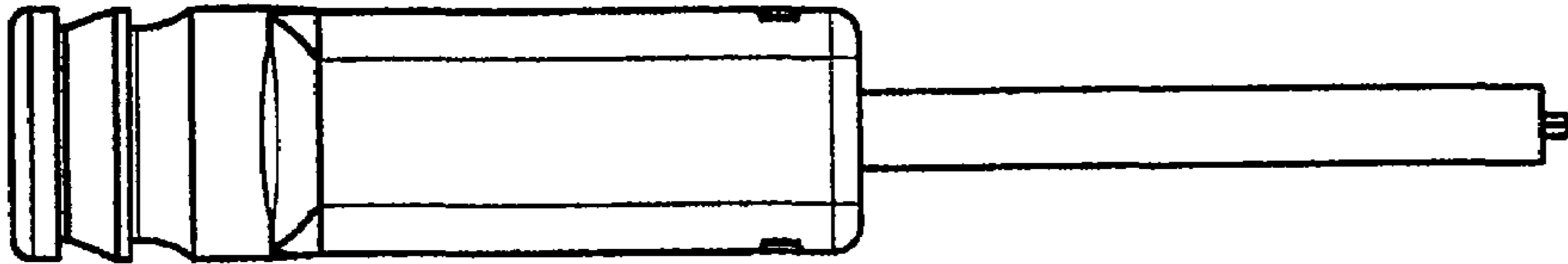


FIG. 3

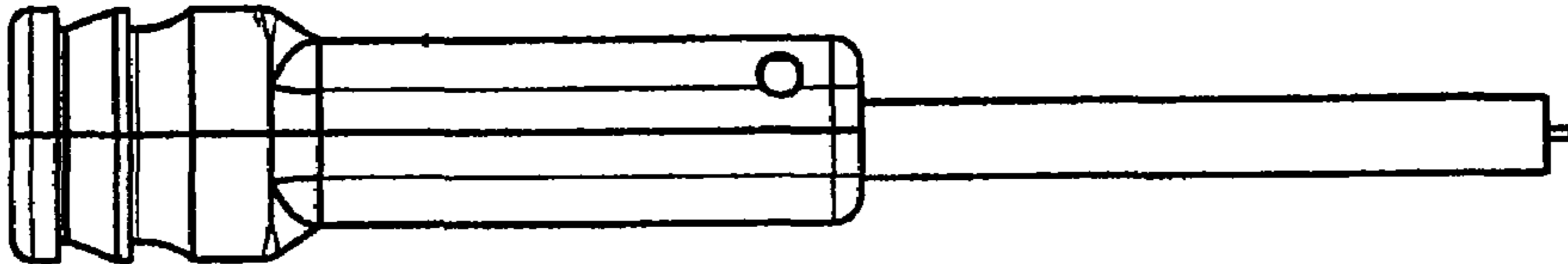


FIG. 4

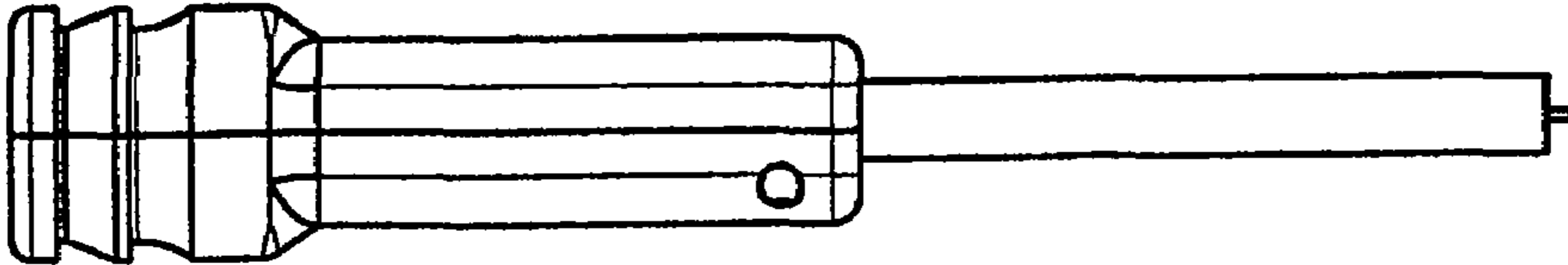


FIG. 5