



US00D573586S

(12) **United States Design Patent**
Prince et al.

(10) **Patent No.:** **US D573,586 S**
(45) **Date of Patent:** **** Jul. 22, 2008**

(54) **LOUDSPEAKER**

(75) Inventors: **David J. Prince**, Villa Park, IL (US);
Edward T. Norcott, Jr., Los Gatos, CA
(US); **Richard Warren Little**,
Cupertino, CA (US); **Kevin Christopher**
Corr, San Carlos, CA (US); **Jose**
Francisco Garcia, San Jose, CA (US)

(73) Assignee: **Tymphany Corporation**, Cupertino, CA
(US)

(**) Term: **14 Years**

(21) Appl. No.: **29/270,498**

(22) Filed: **Dec. 21, 2006**

(51) **LOC (8) Cl.** **14-01**

(52) **U.S. Cl.** **D14/216; D14/204**

(58) **Field of Classification Search** D14/204,
D14/209-216, 207, 221, 222; D9/424-426,
D9/419, 428; 181/143-144, 147-148, 150,
181/157, 151, 153; 242/588.3; 381/300-302,
381/306, 333, 345, 361-364, 386-388, 332,
381/336; D6/520

See application file for complete search history.

(56) **References Cited**

U.S. PATENT DOCUMENTS

D276,590 S * 12/1984 Lobel D9/426
D283,789 S * 5/1986 Kodousek et al. D9/425
D394,863 S * 6/1998 Saer D14/215

D403,575 S * 1/1999 Milliorn D6/520
5,950,959 A * 9/1999 Milliorn 242/588.3
D478,062 S * 8/2003 Stephens D14/207
6,973,994 B2 * 12/2005 Mackin et al. 181/156

* cited by examiner

Primary Examiner—Nanda Bondade
(74) *Attorney, Agent, or Firm*—Gallagher & Lathrop P.C.;
David N. Lathrop

(57) **CLAIM**

The ornamental design for the loudspeaker, as shown and described.

DESCRIPTION

The present design pertains to an acoustic transducer that may be used as a loudspeaker or may be used with other components in a loudspeaker system.

FIG. 1 is a top left and front perspective view of a loudspeaker showing our new design;

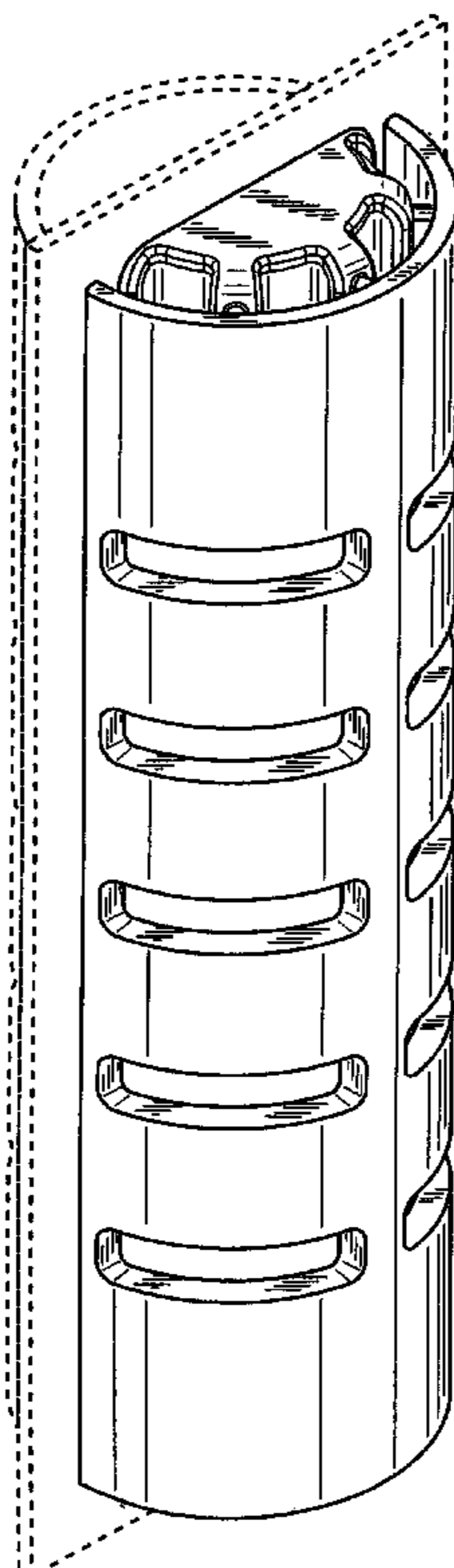
FIG. 2 is a left side elevational view thereof, the right side elevational view being a mirror image,

FIG. 3 is a front elevational view thereof; and,

FIG. 4 is a top plan view thereof, the bottom plan being a mirror image.

The broken line showing on the drawing disclosure is for illustrative purposes only and forms no part of the claimed design.

1 Claim, 2 Drawing Sheets



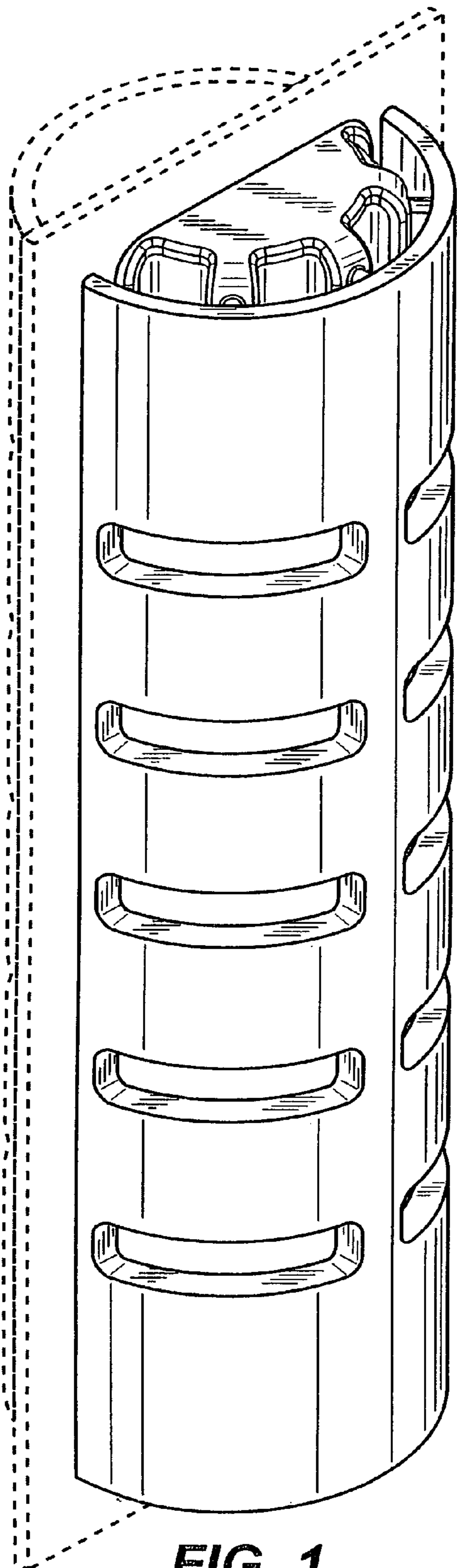


FIG. 1

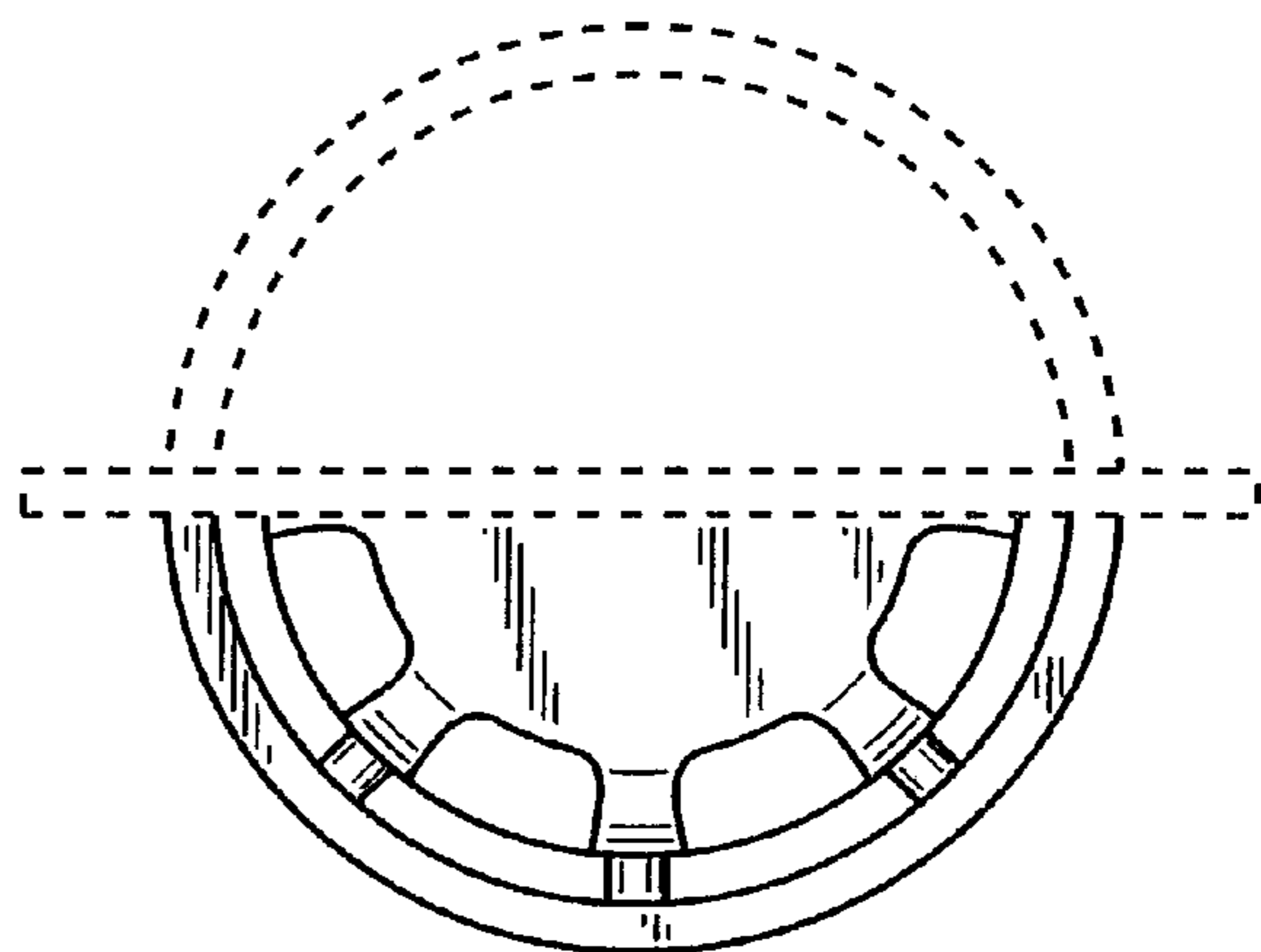


FIG. 4

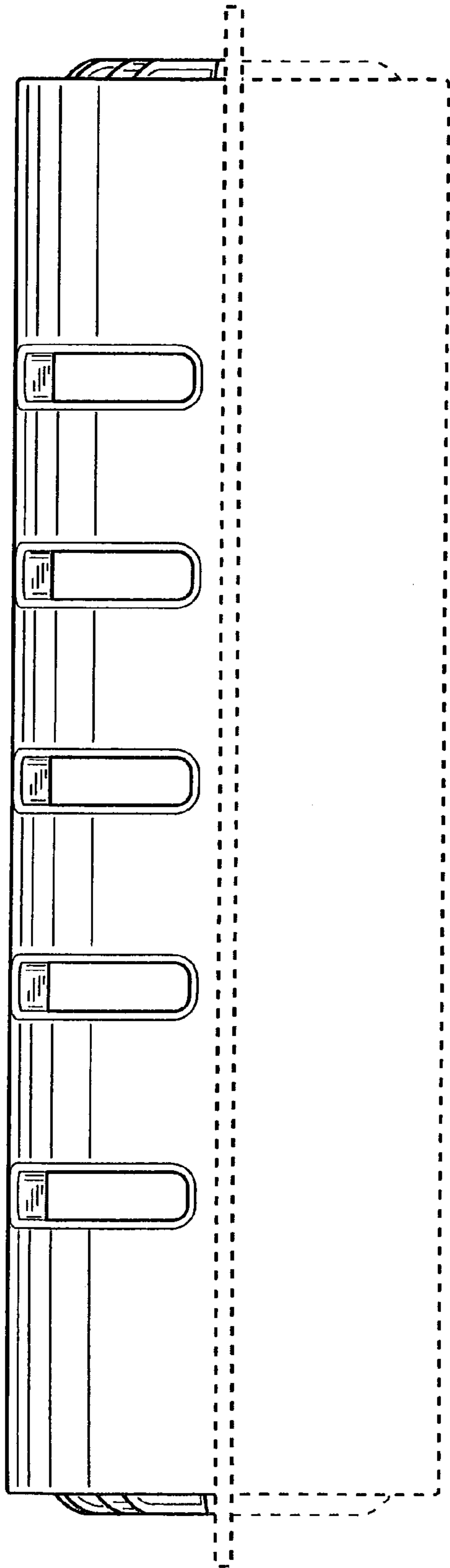


FIG. 2

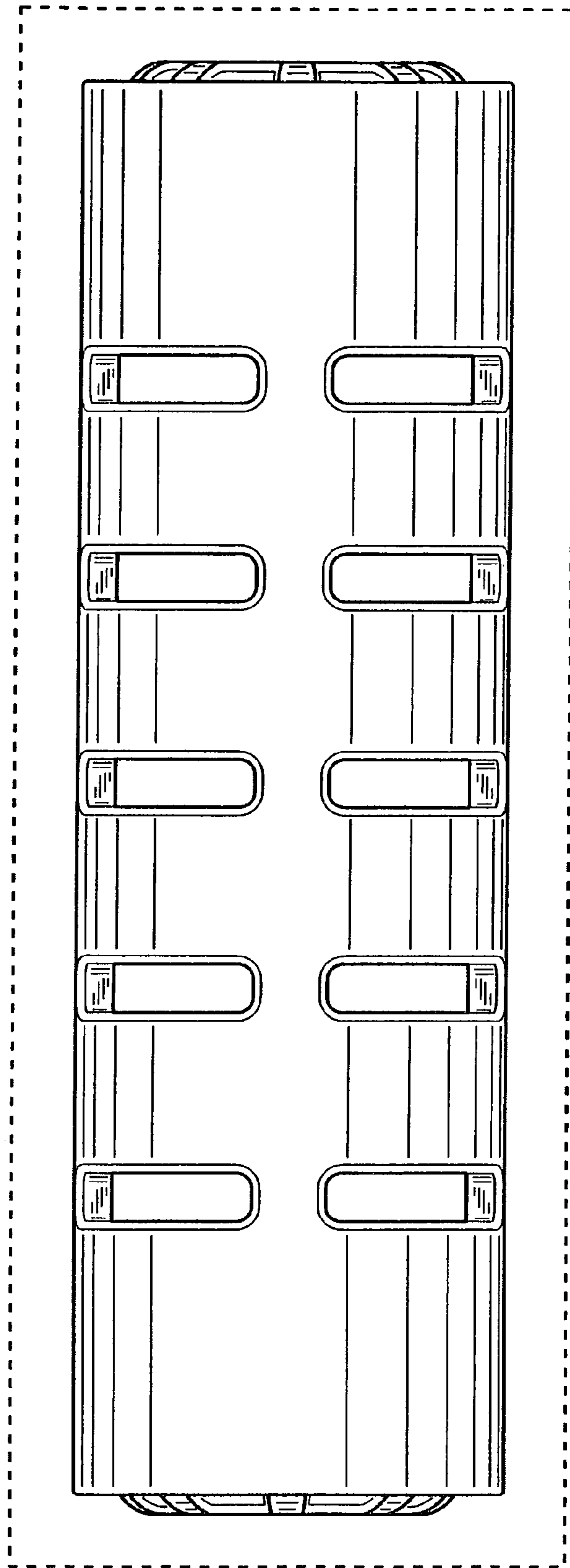


FIG. 3