



US00D573585S

(12) **United States Design Patent**
Belanger et al.

(10) **Patent No.:** **US D573,585 S**

(45) **Date of Patent:** **** Jul. 22, 2008**

(54) **LOUDSPEAKER**

D509,212 S * 9/2005 Hioki D14/215
D519,105 S * 4/2006 Masui D14/214

(75) Inventors: **Donald W. Belanger**, Chula Vista, CA (US); **Myk Wayne Lum**, Irvine, CA (US); **Adam C. Wade**, Rancho Santa Margarita, CA (US)

* cited by examiner

Primary Examiner—Nanda Bondade
(74) *Attorney, Agent, or Firm*—Knobbe Martens Olson & Bear LLP

(73) Assignee: **Theodore George Keffalo**, San Diego, CA (US)

(57) **CLAIM**

(**) Term: **14 Years**

The ornamental design for a loudspeaker, as shown and described.

(21) Appl. No.: **29/280,394**

(22) Filed: **May 25, 2007**

DESCRIPTION

(51) **LOC (8) Cl.** **14-01**

FIG. 1 is a front right side perspective view of a loudspeaker showing our new design;

(52) **U.S. Cl.** **D14/215**

FIG. 2 is a front view thereof;

(58) **Field of Classification Search** D14/204,
D14/207, 210–216, 172; 181/143–144, 147–148,
181/150–153, 157, 198–199; 381/300–303,
381/306, 332–333, 336, 345, 361–364, 386–388
See application file for complete search history.

FIG. 3 is a back view thereof;

FIG. 4 is a left side view thereof;

FIG. 5 is a right side view thereof;

FIG. 6 is a top view thereof; and,

FIG. 7 is a bottom view thereof.

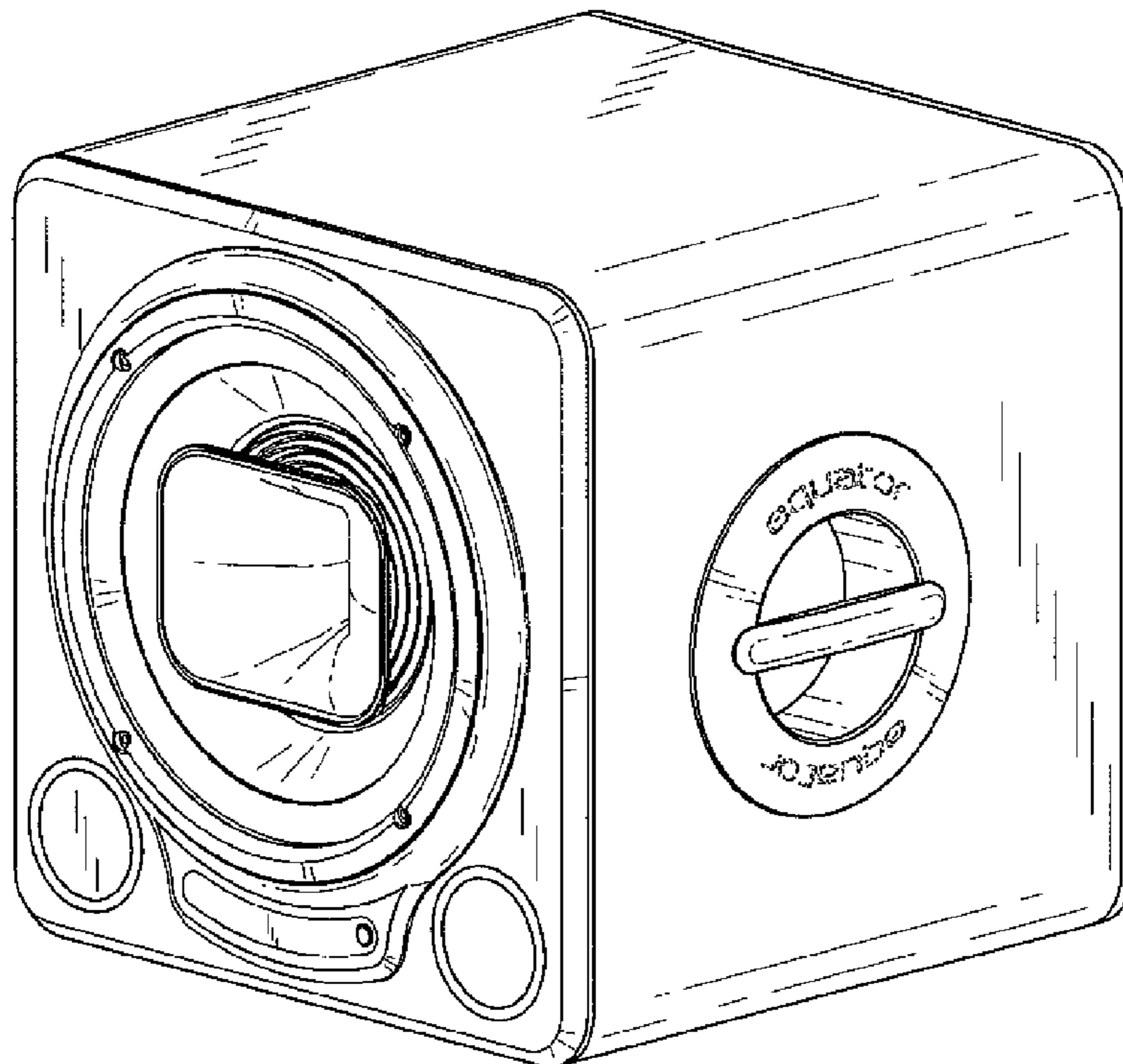
(56) **References Cited**

The broken line showing on the drawing disclosure is for illustrative purposes only and forms no part of the claimed design.

U.S. PATENT DOCUMENTS

D384,668 S * 10/1997 Yoneda D14/214
D500,305 S * 12/2004 Lin et al. D14/215
D506,745 S * 6/2005 Sitoh D14/214

1 Claim, 4 Drawing Sheets



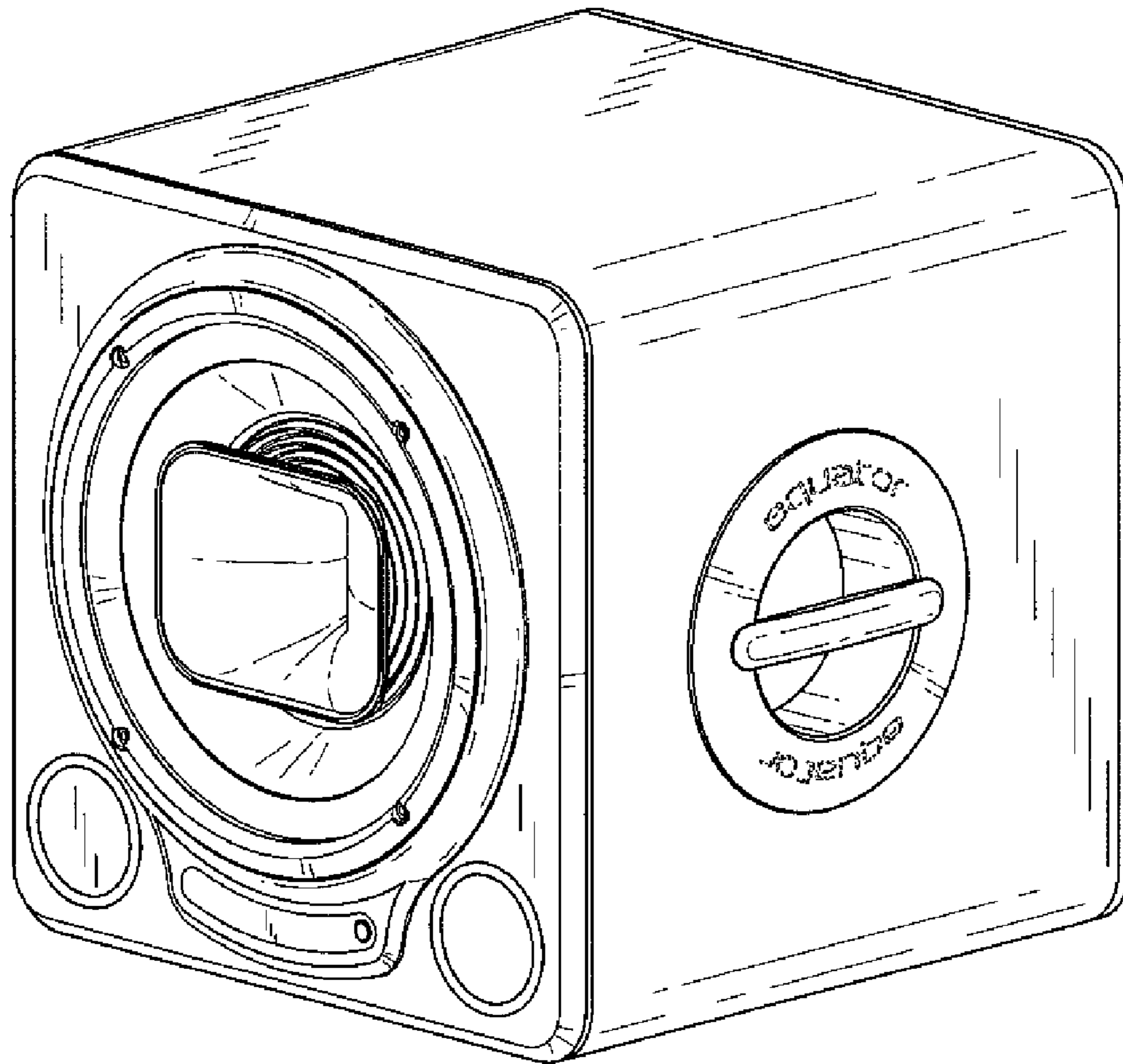


FIG. 1

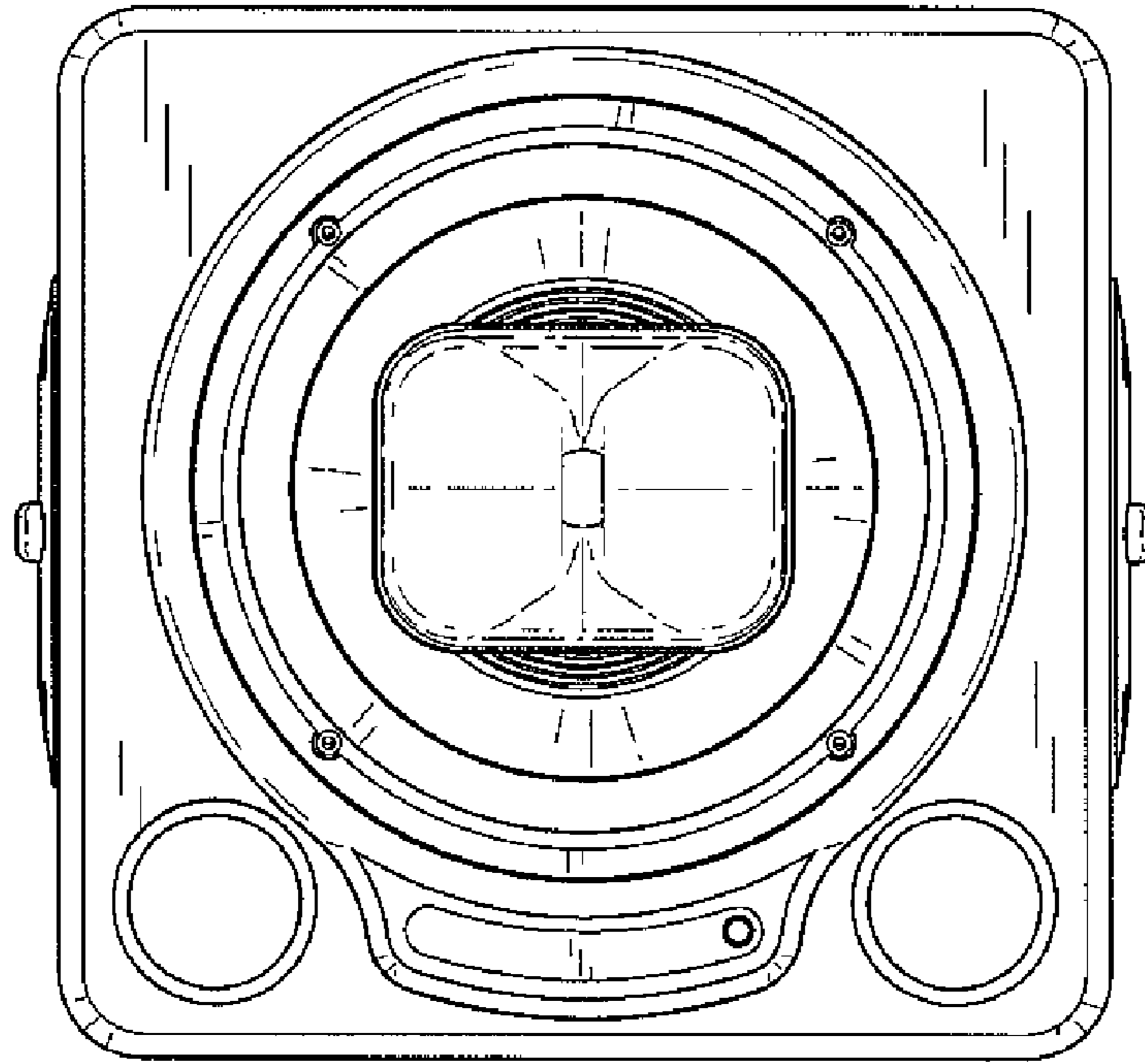


FIG. 2

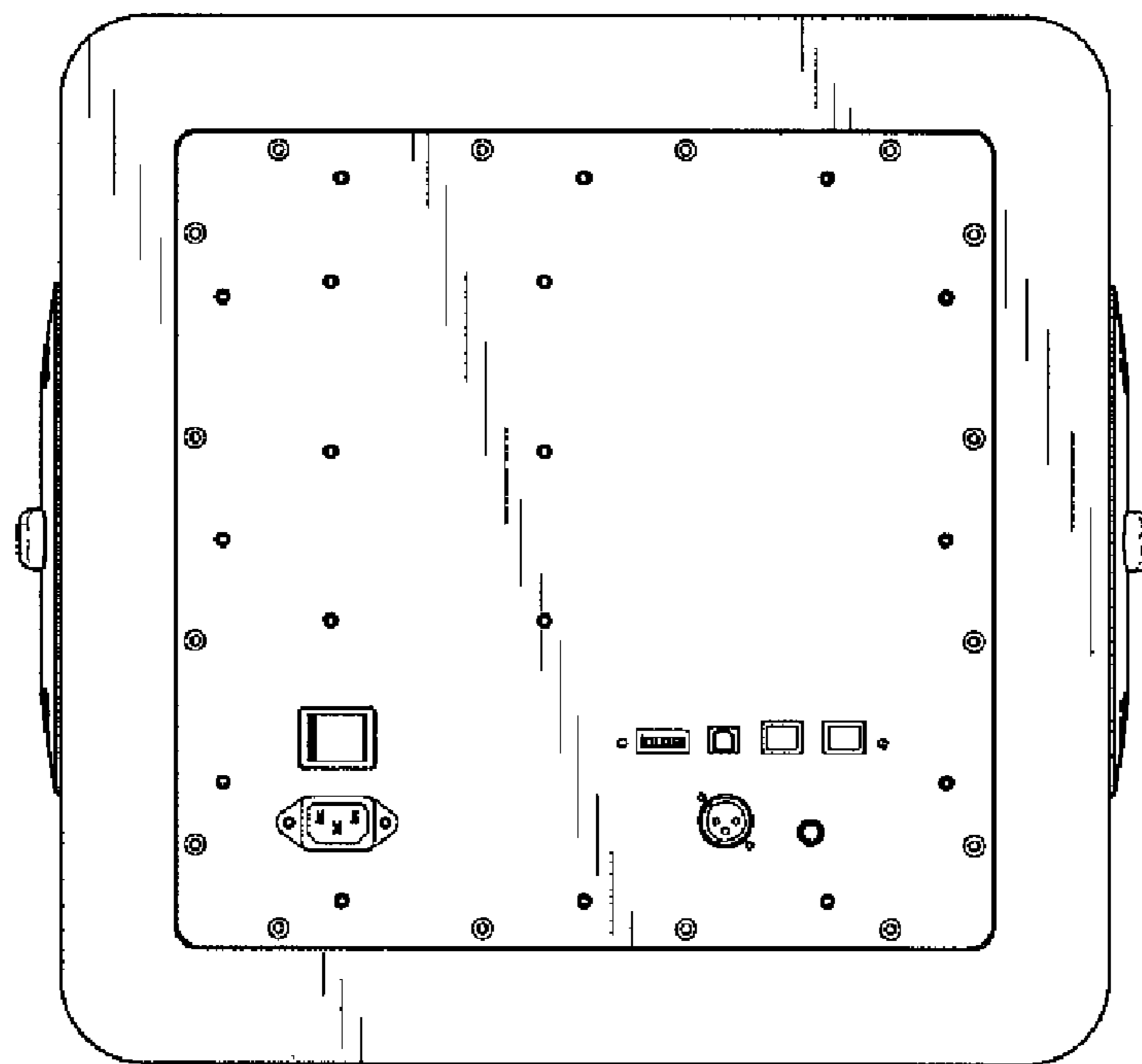


FIG. 3

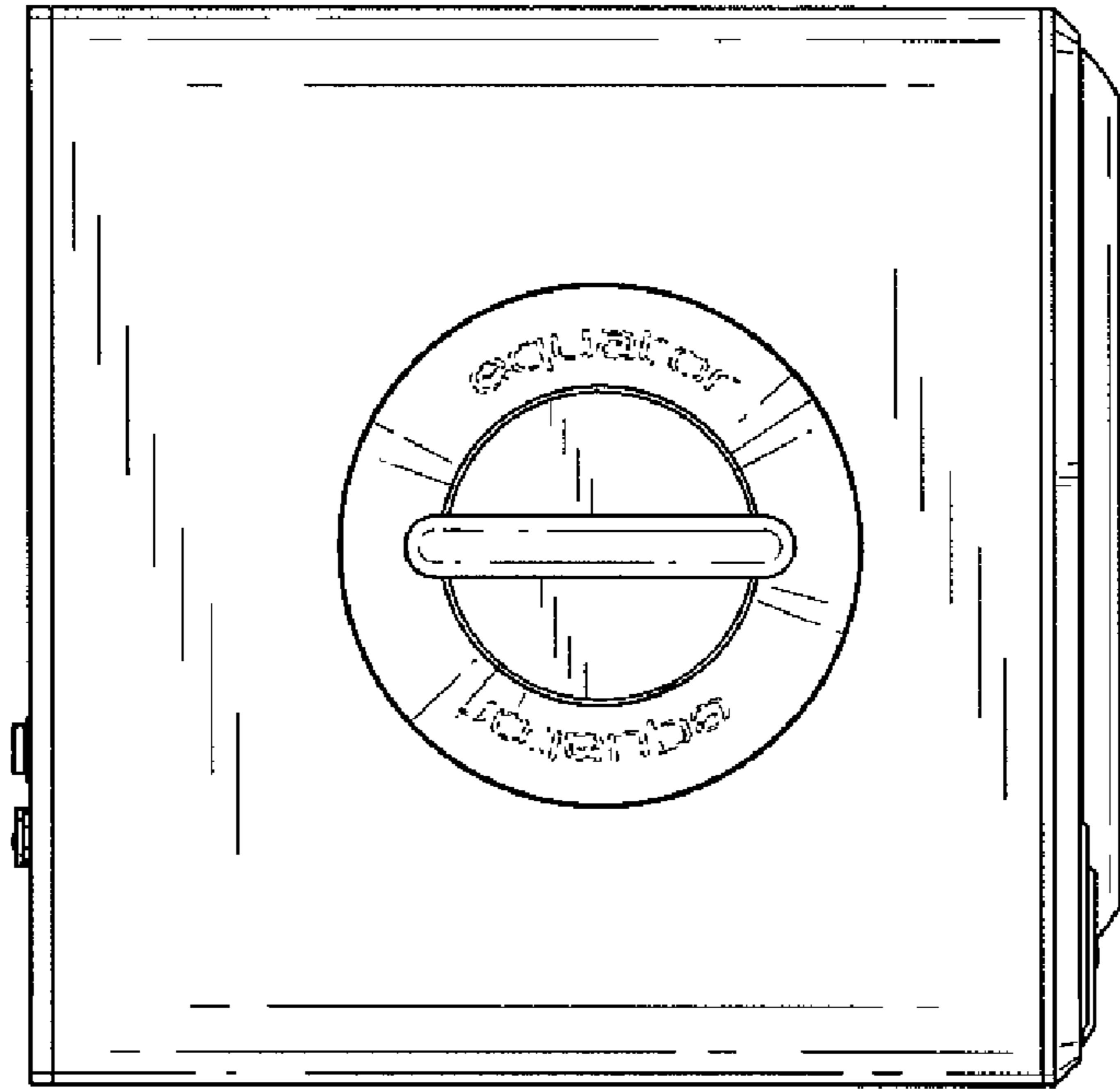


FIG. 4

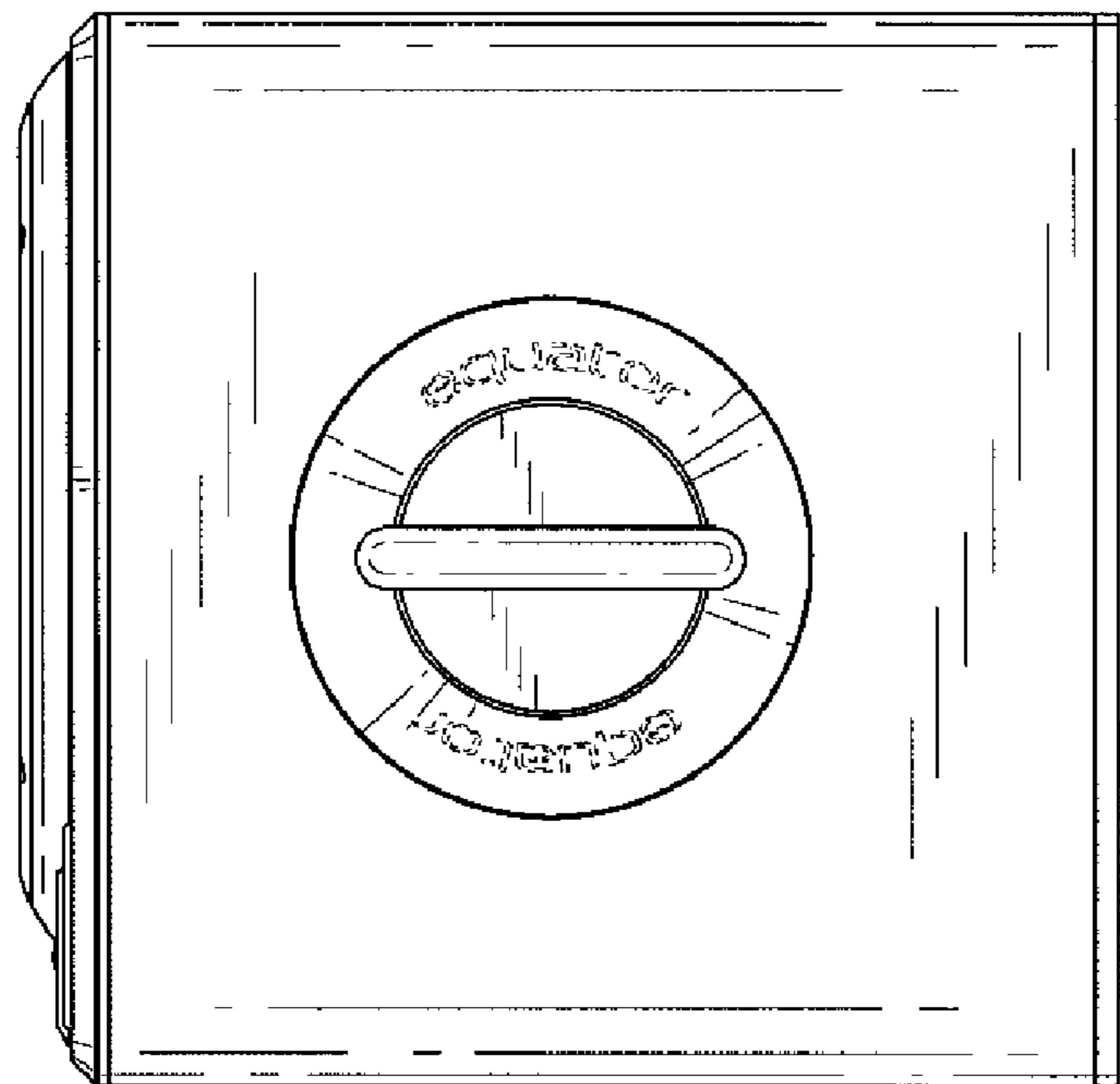


FIG. 5

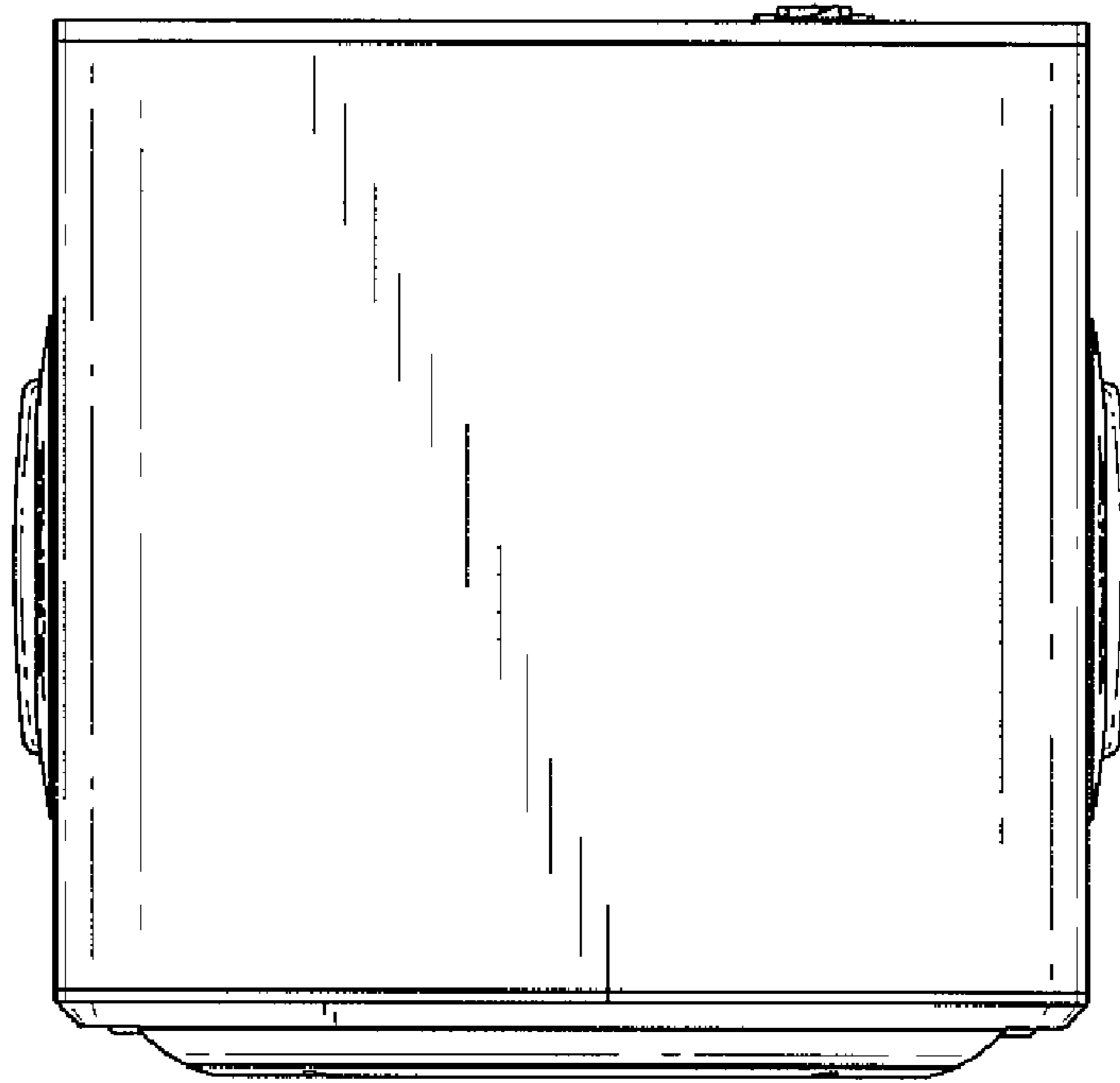


FIG. 6

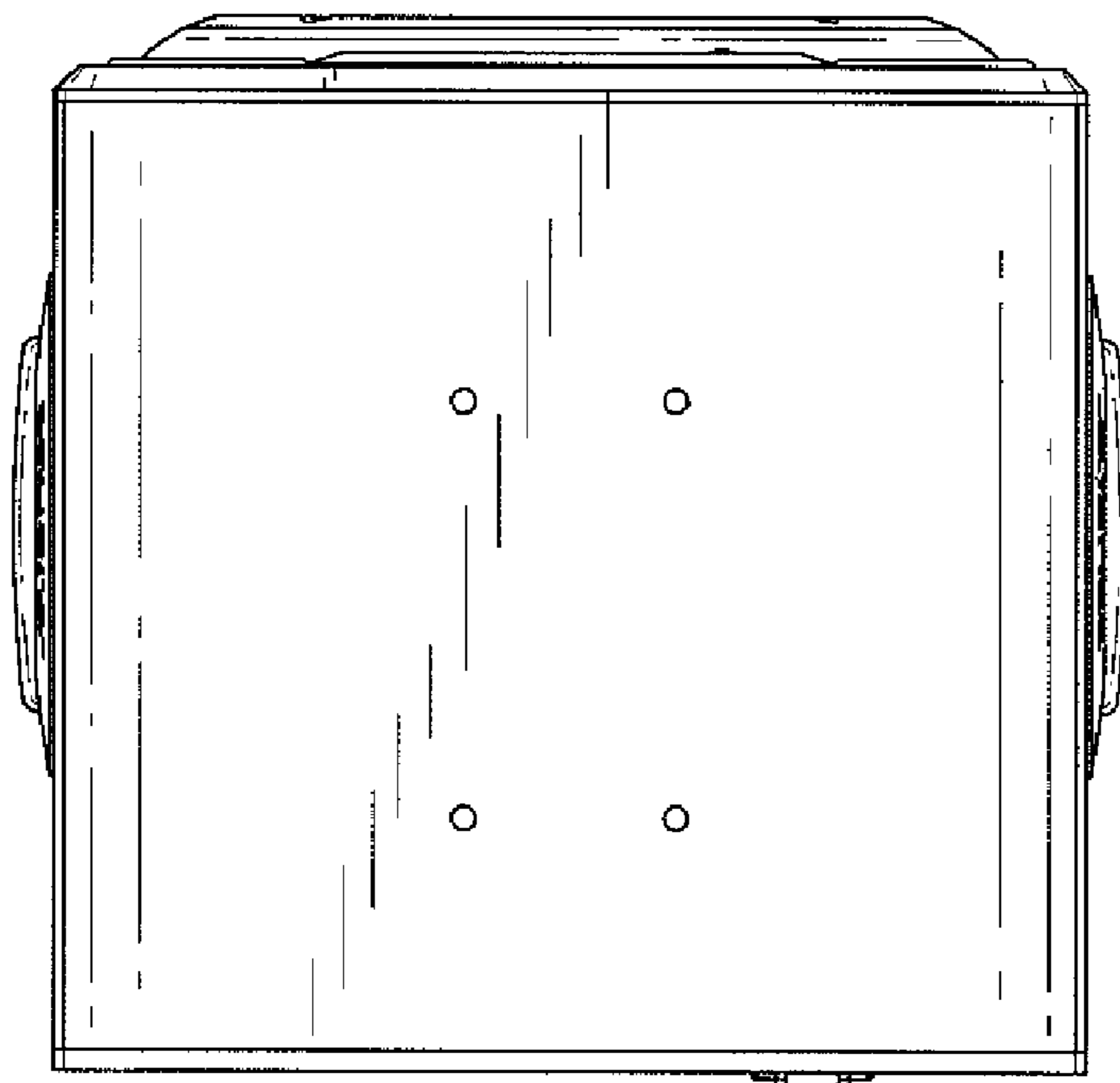


FIG. 7