



US00D573583S

(12) **United States Design Patent**
Omoda

(10) **Patent No.:** **US D573,583 S**

(45) **Date of Patent:** **** Jul. 22, 2008**

(54) **SPEAKER**

D543,535 S * 5/2007 Hasegawa et al. D14/214

(75) Inventor: **Manabu Omoda**, Kanagawa (JP)

(73) Assignee: **Victor Company of Japan, Limited**,
Yokohama-shi, Kanagawa (JP)

(**) Term: **14 Years**

(21) Appl. No.: **29/288,886**

(22) Filed: **Jun. 26, 2007**

(30) **Foreign Application Priority Data**

Dec. 28, 2006 (JP) 2006-036108

(51) **LOC (8) Cl.** **14-01**

(52) **U.S. Cl.** **D14/214; D14/258**

(58) **Field of Classification Search** D14/204,
D14/209-216, 257, 258; 181/143-144, 147-148,
181/150, 157, 198-199, 151, 153; 381/300-302,
381/306, 333, 345, 361-364, 386-388, 332,
381/336

See application file for complete search history.

(56) **References Cited**

U.S. PATENT DOCUMENTS

D532,408 S * 11/2006 Kita D14/214

* cited by examiner

Primary Examiner—Nanda Bondade

(74) *Attorney, Agent, or Firm*—Osha Liang LLP

(57) **CLAIM**

The ornamental design for a speaker, as shown and described.

DESCRIPTION

FIG. 1 is a top, front and left side perspective view of a speaker showing my new design;

FIG. 2 is a front view thereof;

FIG. 3 is a rear view thereof;

FIG. 4 is a top plan view thereof;

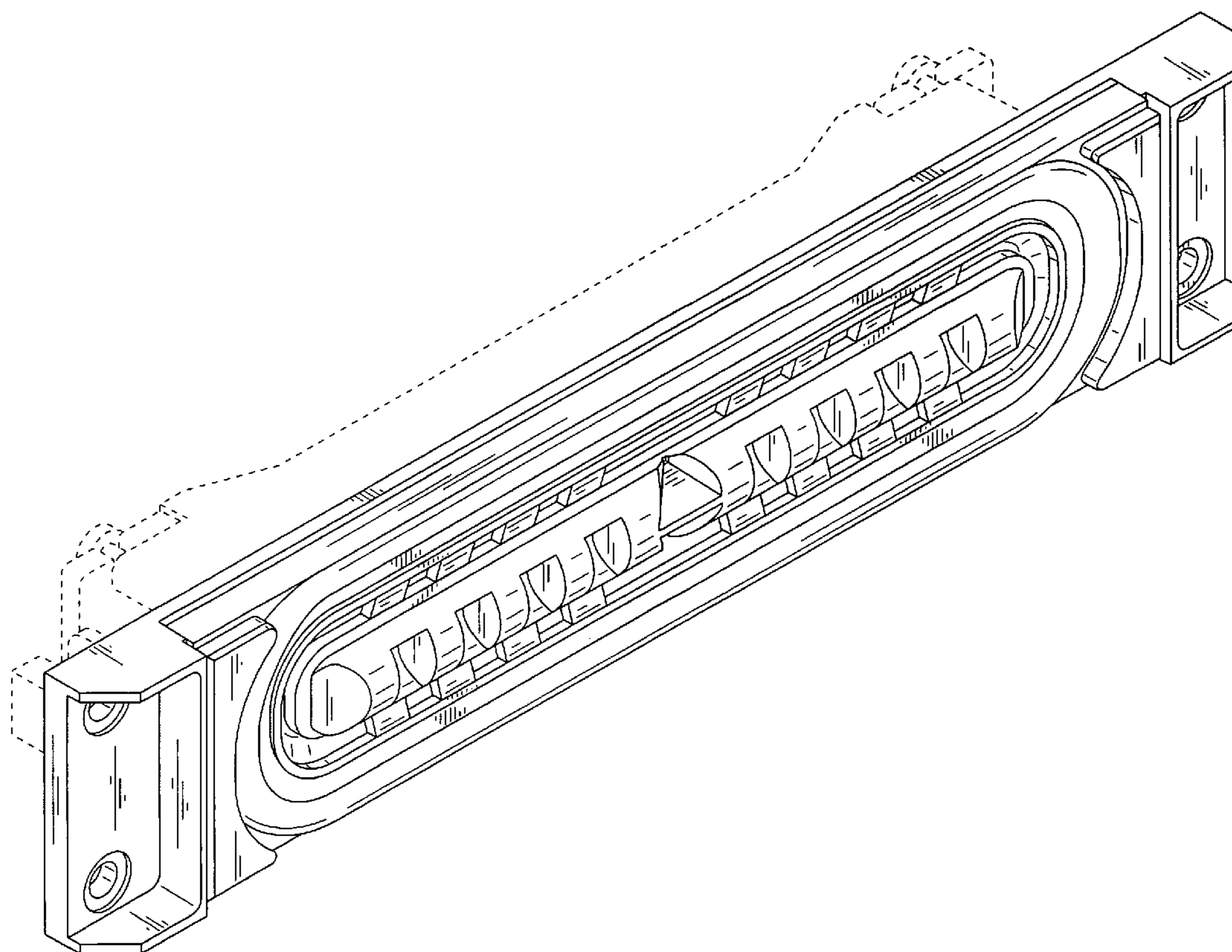
FIG. 5 is a bottom view thereof;

FIG. 6 is a left side view thereof; and,

FIG. 7 is a right side view thereof.

The elements shown in broken lines are for illustrative purposes only and form no part of the claimed design.

1 Claim, 4 Drawing Sheets



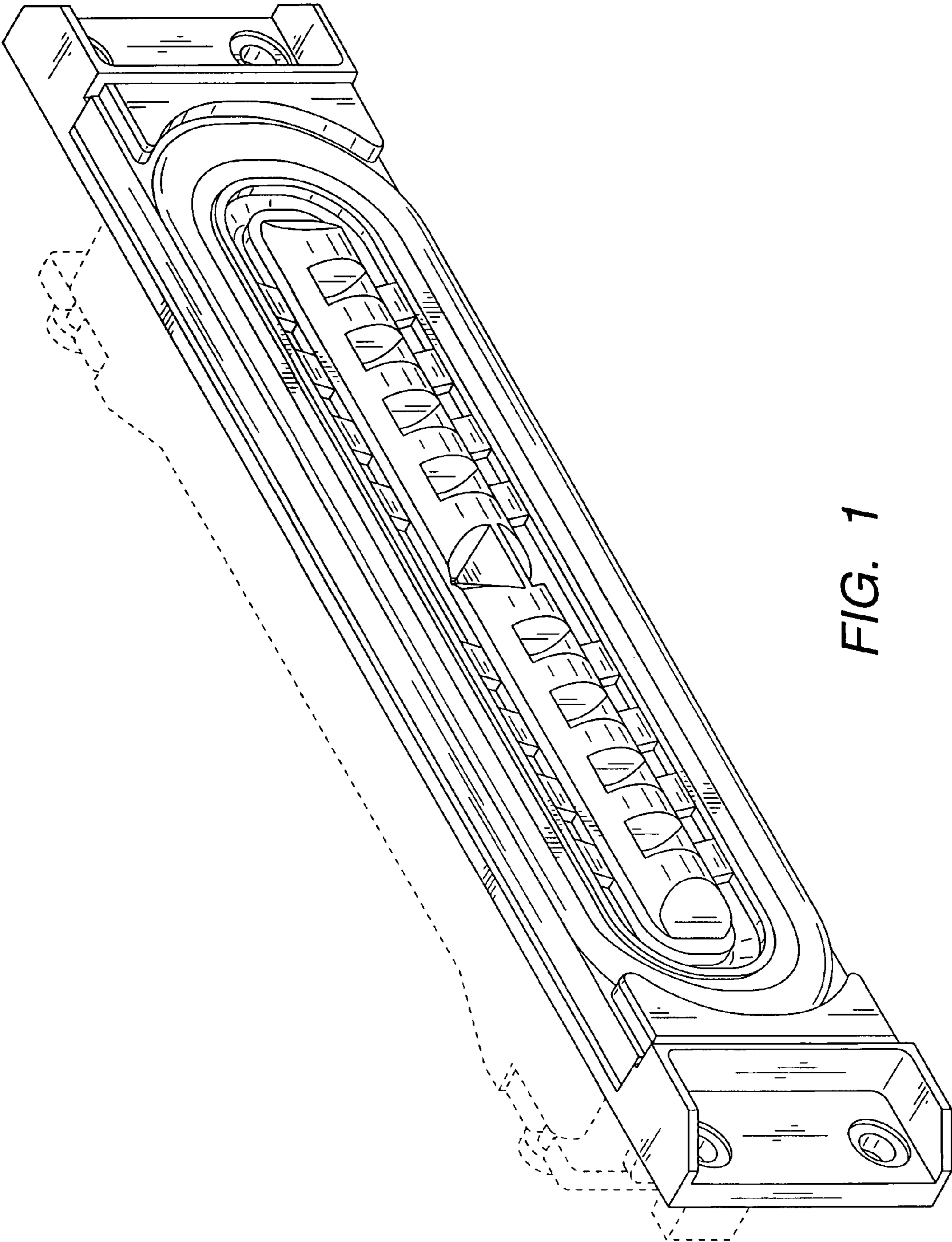


FIG. 1

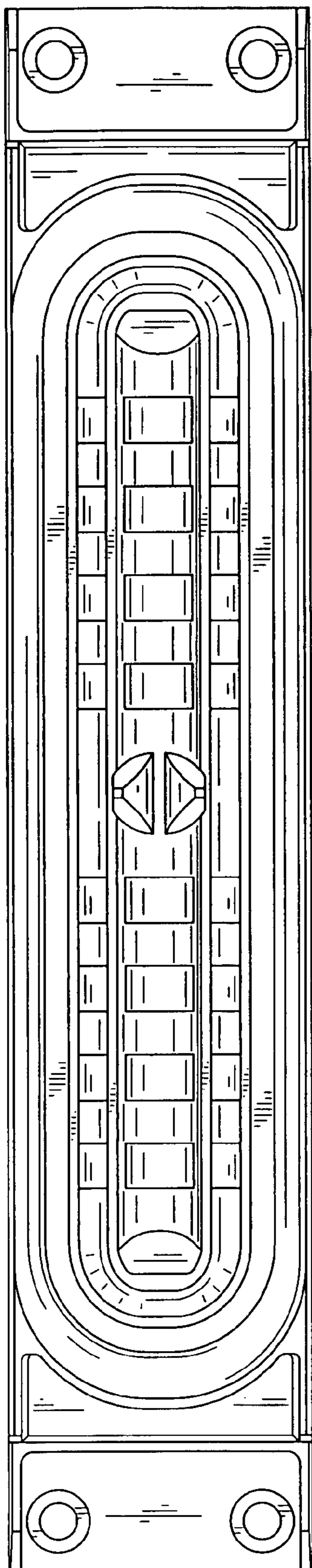


FIG. 2

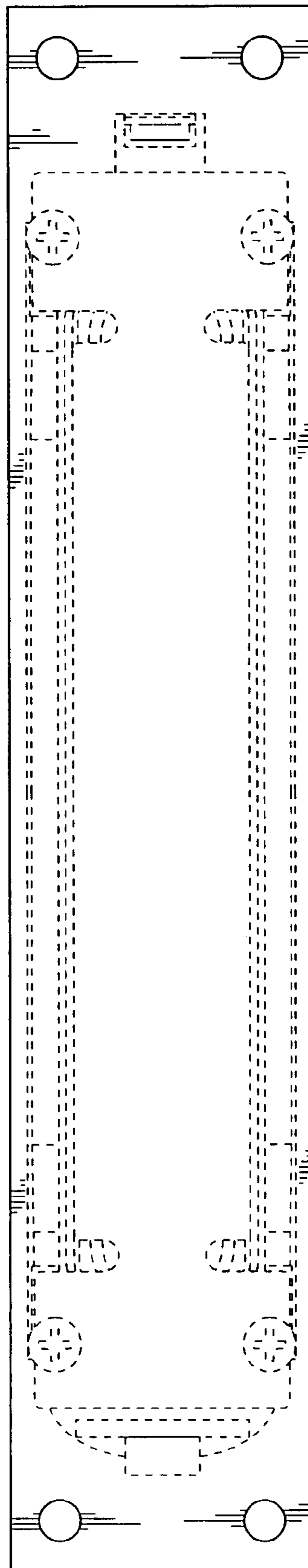


FIG. 3

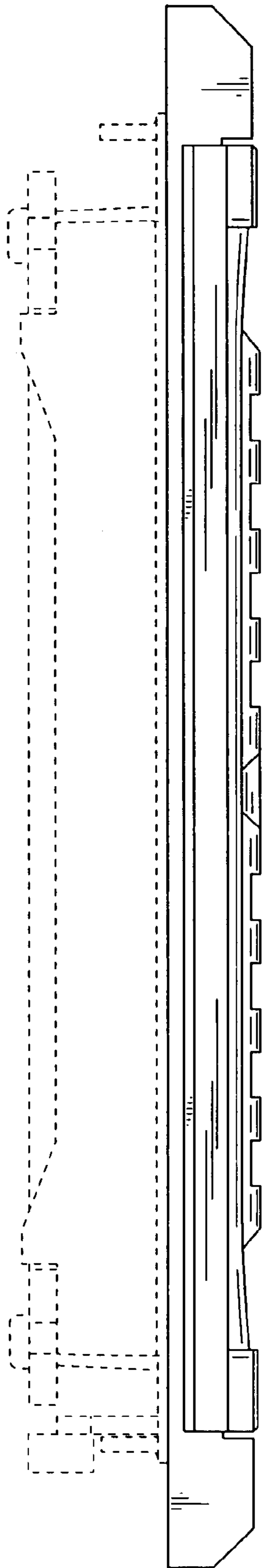


FIG. 4

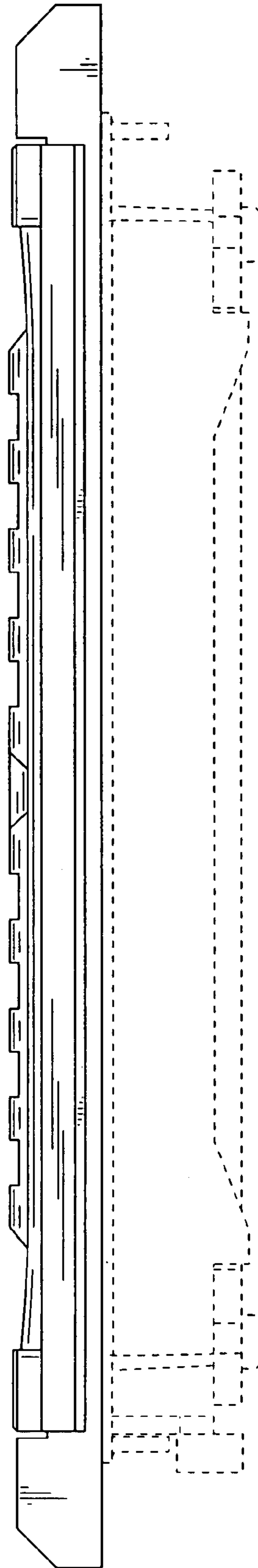


FIG. 5

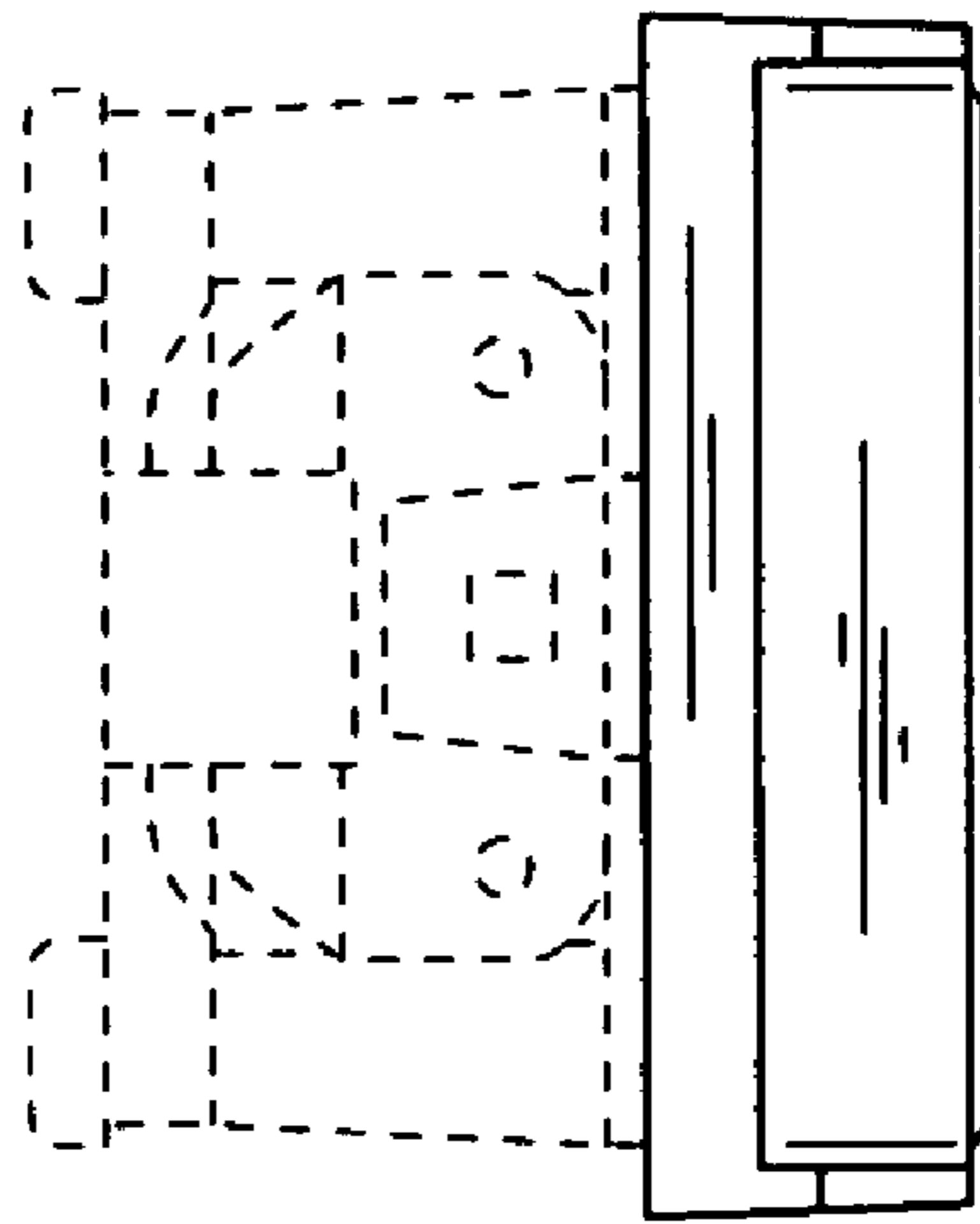


FIG. 6

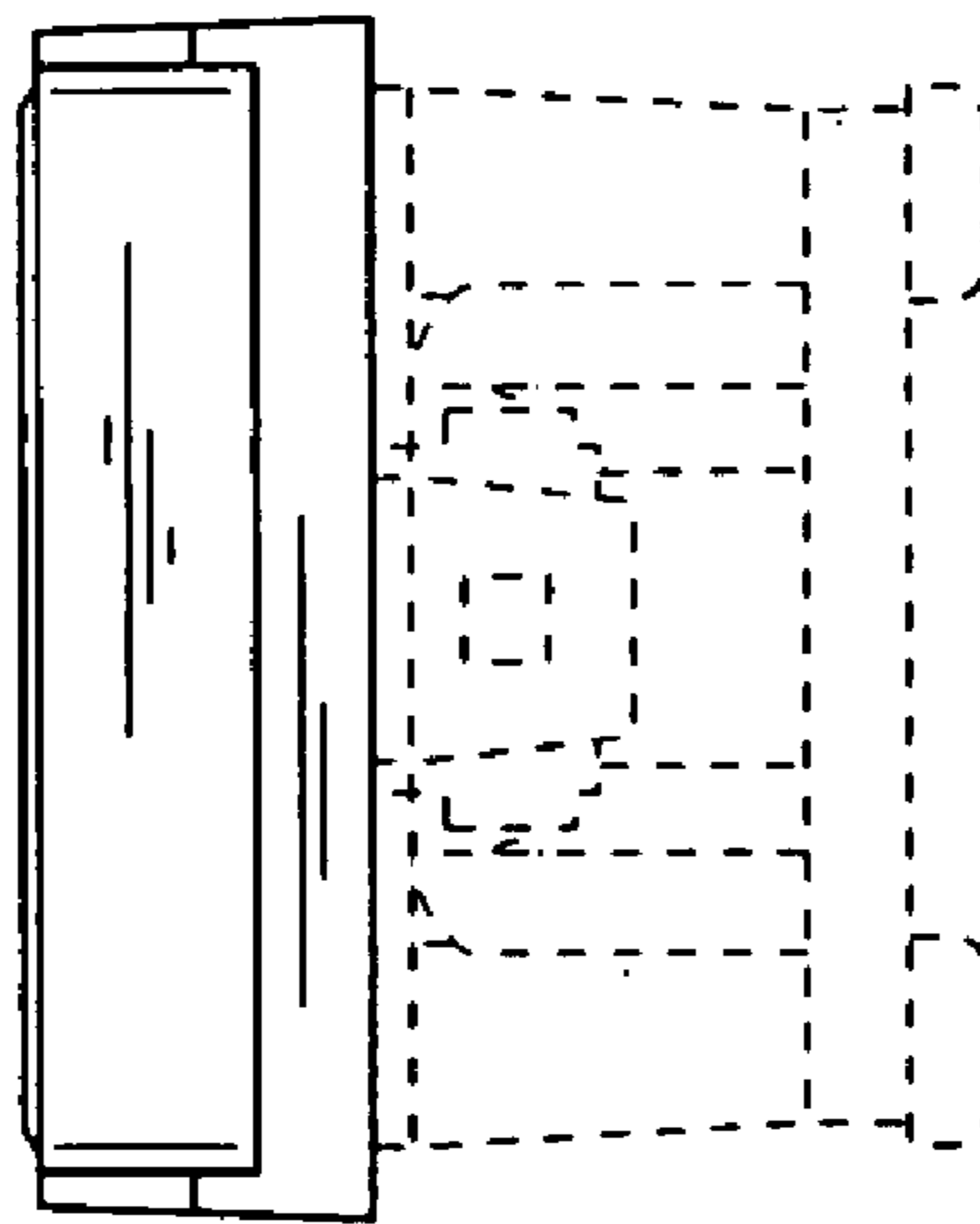


FIG. 7