



US00D573582S

(12) **United States Design Patent**
Ma

(10) **Patent No.:** **US D573,582 S**
(45) **Date of Patent:** **** Jul. 22, 2008**

(54) **HEADSET FOR A RADIO COMMUNICATION DEVICE**

(75) Inventor: **Jeong J Ma**, Buffalo Grove, IL (US)

(73) Assignee: **Motorola, Inc.**, Schaumburg, IL (US)

(**) Term: **14 Years**

(21) Appl. No.: **29/302,116**

(22) Filed: **Jan. 10, 2008**

Related U.S. Application Data

(62) Division of application No. 29/247,858, filed on Jul. 17, 2006, now abandoned.

(51) **LOC (8) Cl.** **14-01**

(52) **U.S. Cl.** **D14/205; D14/223**

(58) **Field of Classification Search** D14/188, D14/192, 205–206, 223, 138, 147, 168, 172, D14/175, 183, 184, 194, 195; 379/430, 446; 381/374, 376, 377, 378, 330; 181/129–130
See application file for complete search history.

(56) **References Cited**

U.S. PATENT DOCUMENTS

D490,069 S * 5/2004 Lee D14/188
D508,485 S * 8/2005 Katsumata D14/223
D512,991 S * 12/2005 Yano D14/223

D520,497 S * 5/2006 Yang D14/223
D526,313 S * 8/2006 Murray D14/223
D528,531 S * 9/2006 Rose et al. D14/138
D533,540 S * 12/2006 Murray D14/205
D542,267 S * 5/2007 Cha et al. D14/205
D552,596 S * 10/2007 Christopher D14/205
D554,626 S * 11/2007 Christopher D14/223
D561,743 S * 2/2008 Huang et al. D14/223

* cited by examiner

Primary Examiner—Paula A. Greene

(74) *Attorney, Agent, or Firm*—David S. Noskowicz

(57) **CLAIM**

The ornamental design for a headset for a radio communication device, as shown and described.

DESCRIPTION

FIG. 1 is a perspective view of an embodiment of an ornamental design for a headset for a radio communication device.

FIG. 2 is a front view thereof.

FIG. 3 is a rear view thereof.

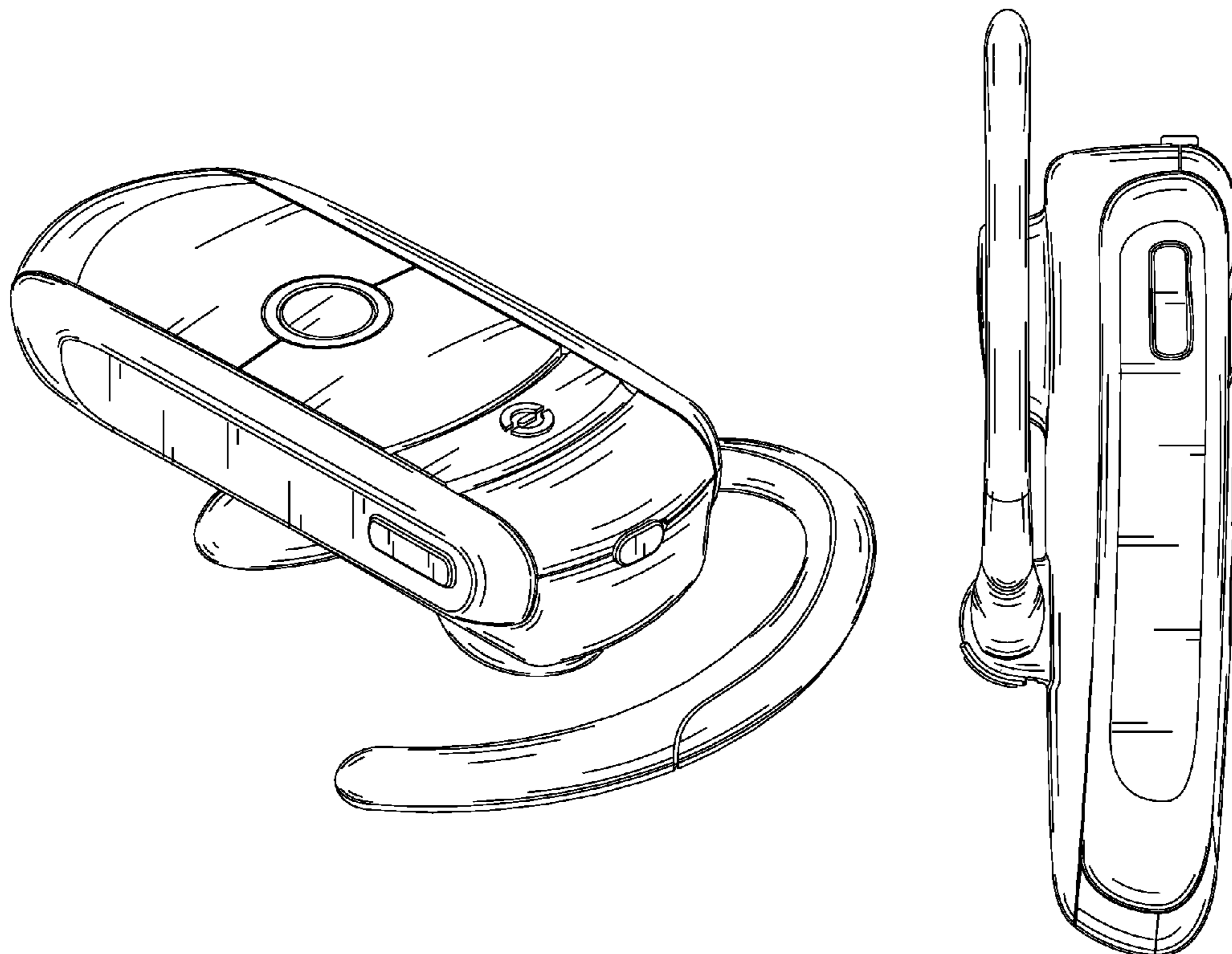
FIG. 4 is a first side view thereof.

FIG. 5 is a second side view thereof.

FIG. 6 is a top view thereof; and,

FIG. 7 is a bottom view thereof.

1 Claim, 4 Drawing Sheets



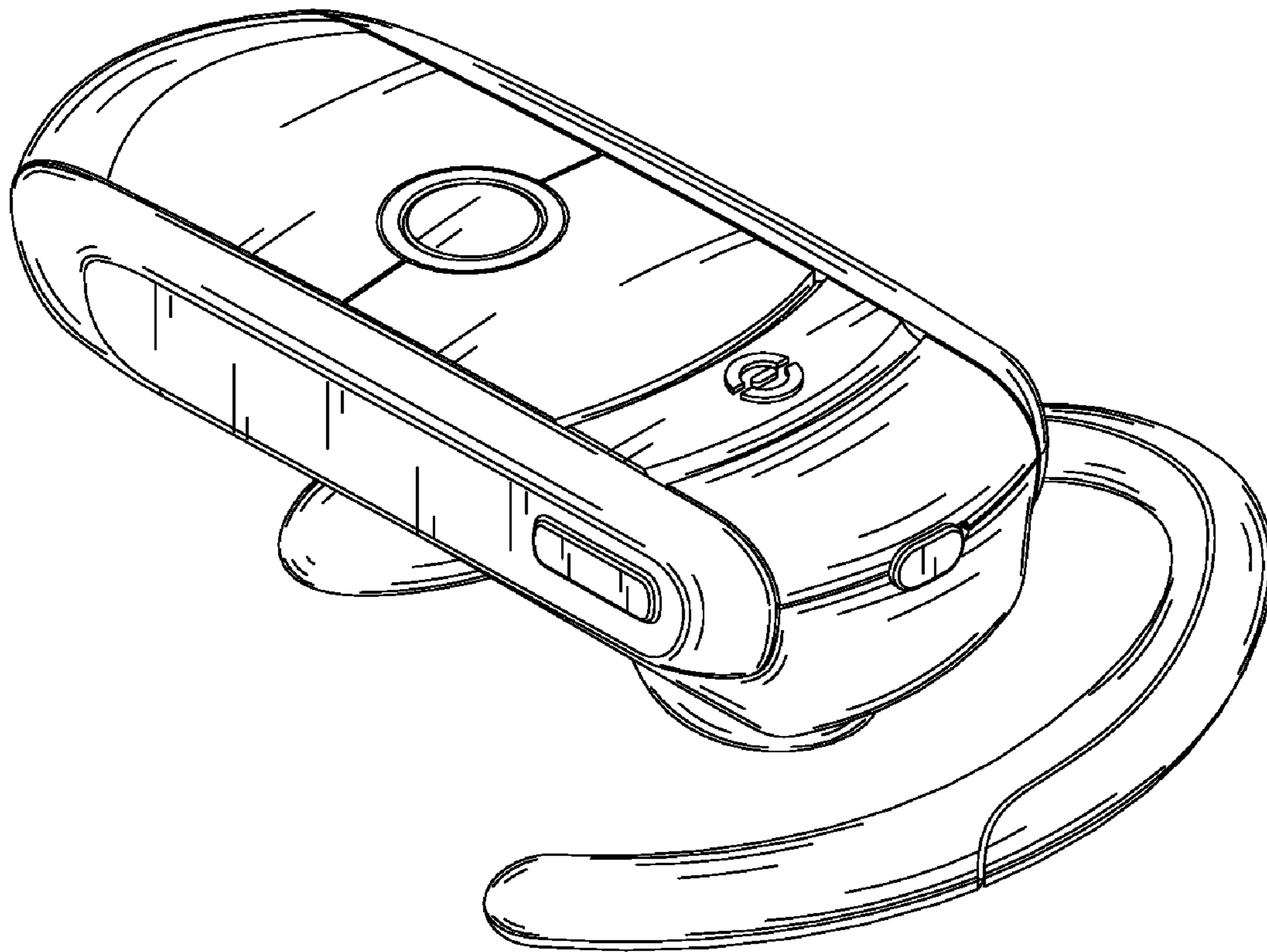


FIG. 1

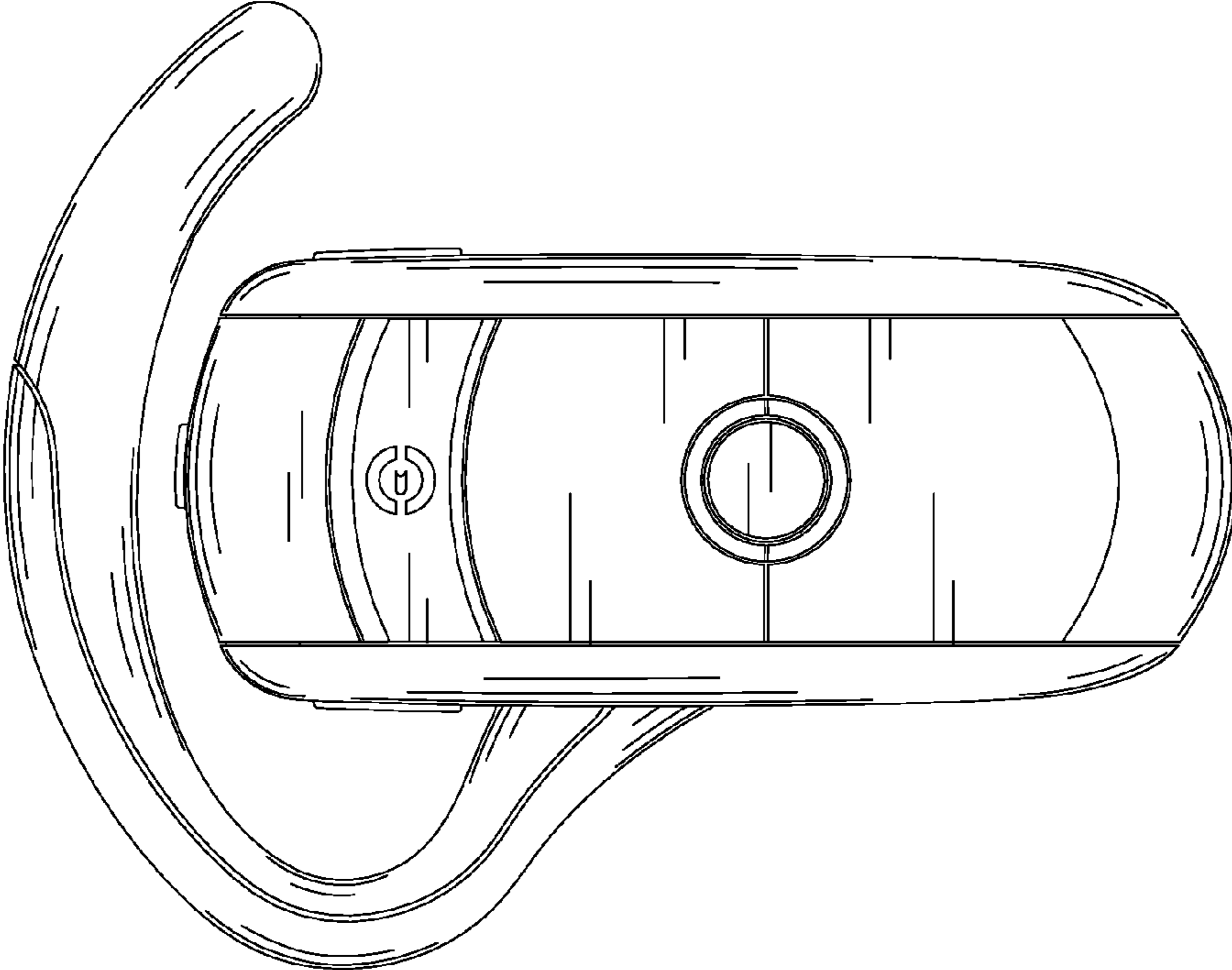


FIG. 2

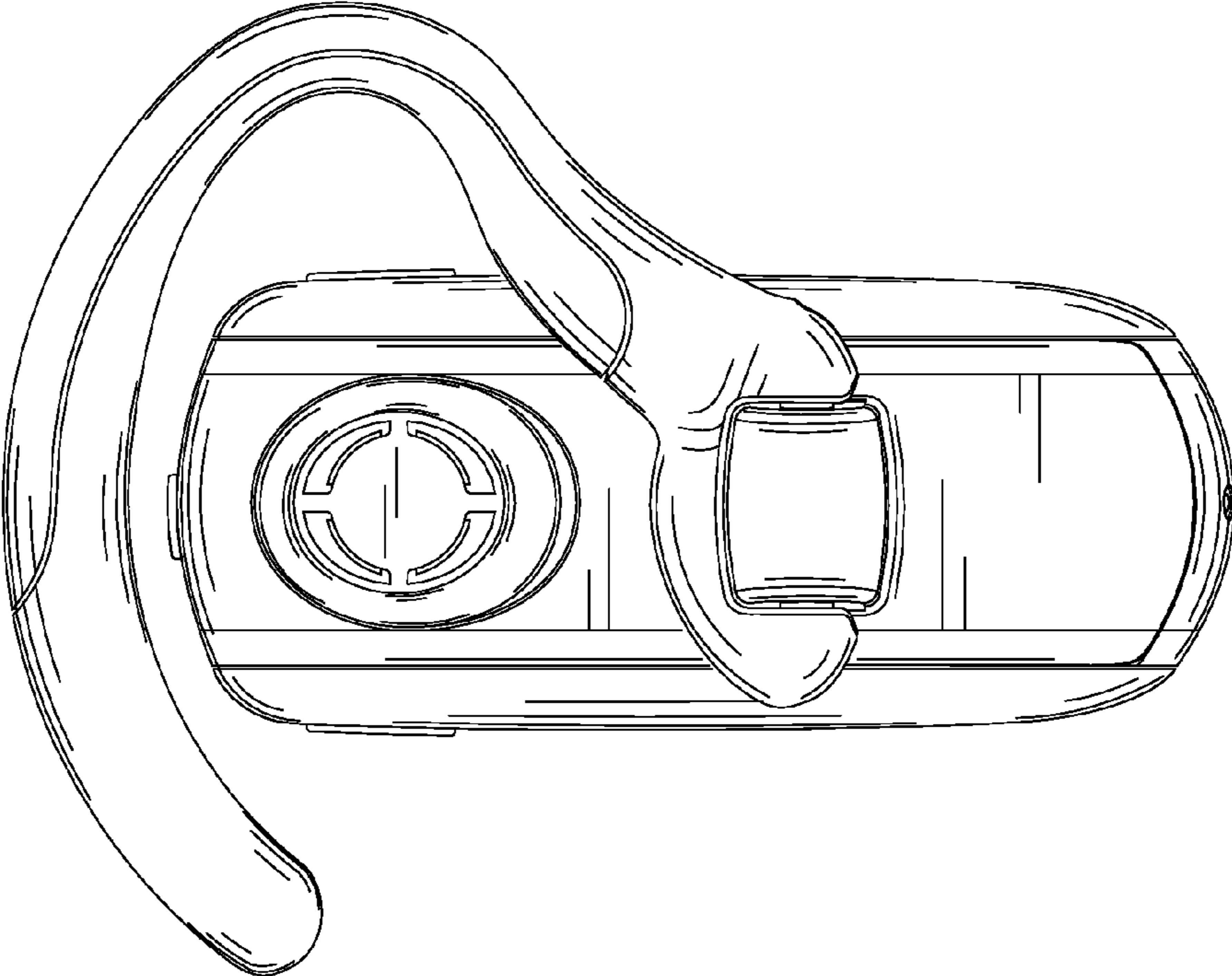


FIG. 3

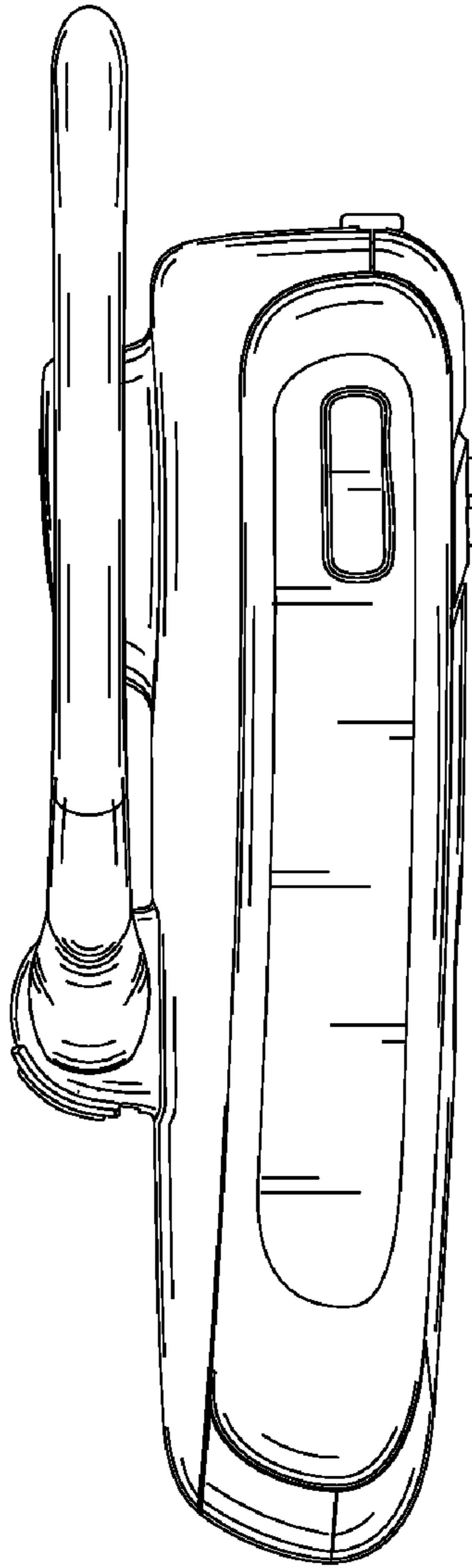


FIG. 4

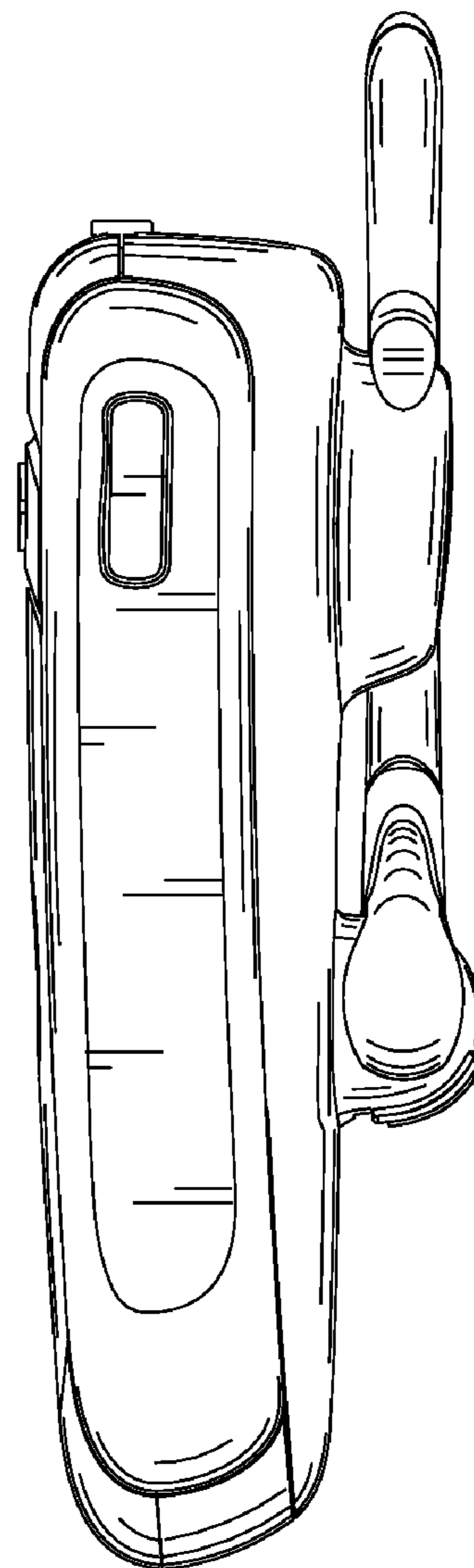


FIG. 5

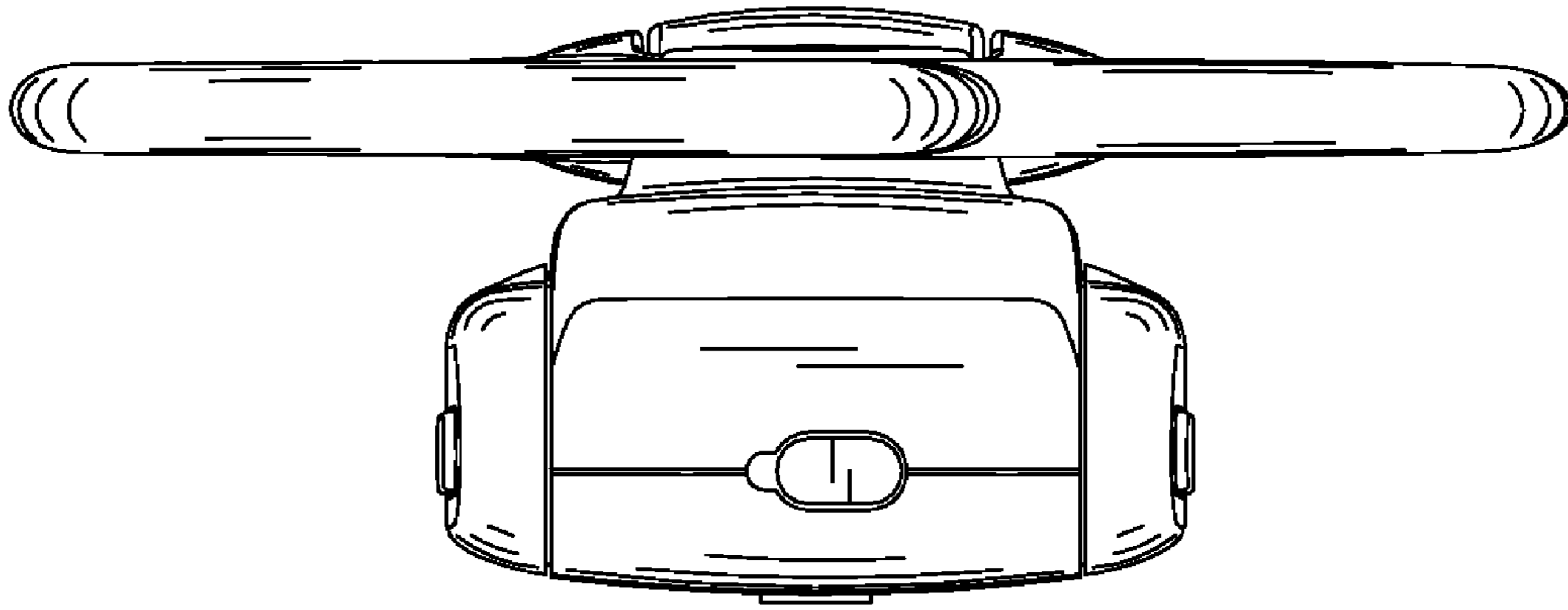


FIG. 6

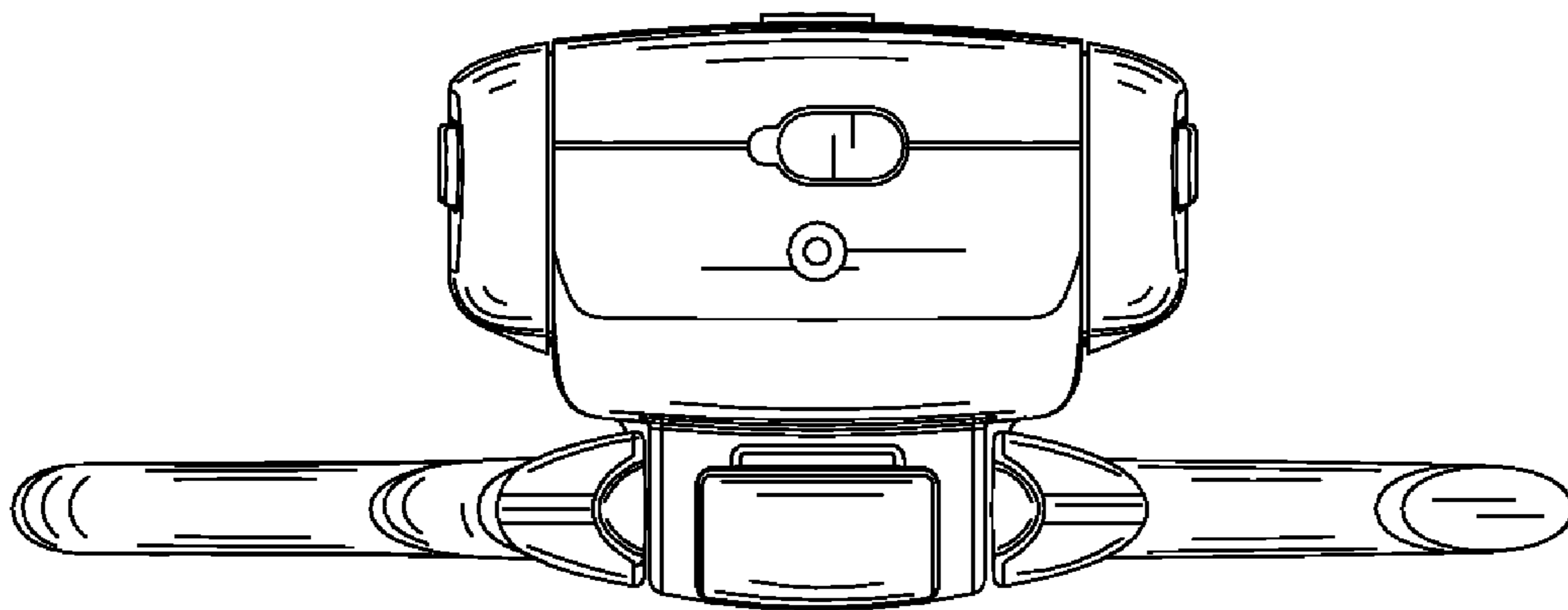


FIG. 7