



US00D573581S

(12) **United States Design Patent**
Gondo et al.

(10) **Patent No.:** **US D573,581 S**
(45) **Date of Patent:** **** Jul. 22, 2008**

(54) **HEADPHONES**

(75) Inventors: **Makoto Gondo**, Yokohama (JP); **Kaoru Maruta**, Saitama (JP)

(73) Assignee: **Victor Company of Japan, Limited**, Yokohama-Shi (JP)

(**) Term: **14 Years**

(21) Appl. No.: **29/273,047**

(22) Filed: **Feb. 26, 2007**

(30) **Foreign Application Priority Data**

Aug. 29, 2006 (JP) D2006-022809

(51) **LOC (8) Cl.** **14-01**

(52) **U.S. Cl.** **D14/205**

(58) **Field of Classification Search** D14/188,
D14/192, 205, 206, 223; 2/209; D29/112;
181/129-130; 379/430-431; 381/379, 380,
381/381, 382, 383, 371, 375

See application file for complete search history.

(56) **References Cited**

U.S. PATENT DOCUMENTS

3,104,398	A *	9/1963	Palmaer	2/209
4,404,434	A *	9/1983	Pelt et al.	381/383
5,862,241	A *	1/1999	Nelson	381/379
6,081,604	A *	6/2000	Hikichi et al.	381/371
D468,723	S *	1/2003	Pham et al.	D14/205
6,654,966	B2 *	12/2003	Rolla	2/209
D491,163	S *	6/2004	Green	D14/205

D512,708 S * 12/2005 Harris et al. D14/205
D538,261 S * 3/2007 Taylor et al. D14/205

FOREIGN PATENT DOCUMENTS

JP 1118439 8/2001

* cited by examiner

Primary Examiner—Paula A. Greene

(74) *Attorney, Agent, or Firm*—Nath Law Group; Jerald L. Meyer; Derek Richmond

(57) **CLAIM**

The ornamental design for headphones, as shown and described.

DESCRIPTION

FIG. 1 is a perspective view of headphones;

FIG. 2 is a front view thereof;

FIG. 3 is a rear view thereof;

FIG. 4 is a right side view thereof;

FIG. 5 is a left side view thereof;

FIG. 6 is a top plan view thereof;

FIG. 7 is a bottom plan view thereof;

FIG. 8 is a front view thereof showing the article in a folded position; and,

FIG. 9 is a front view thereof showing the article in another folded position.

The broken lines are included for the purpose of illustration and form no part of the claimed design.

1 Claim, 6 Drawing Sheets

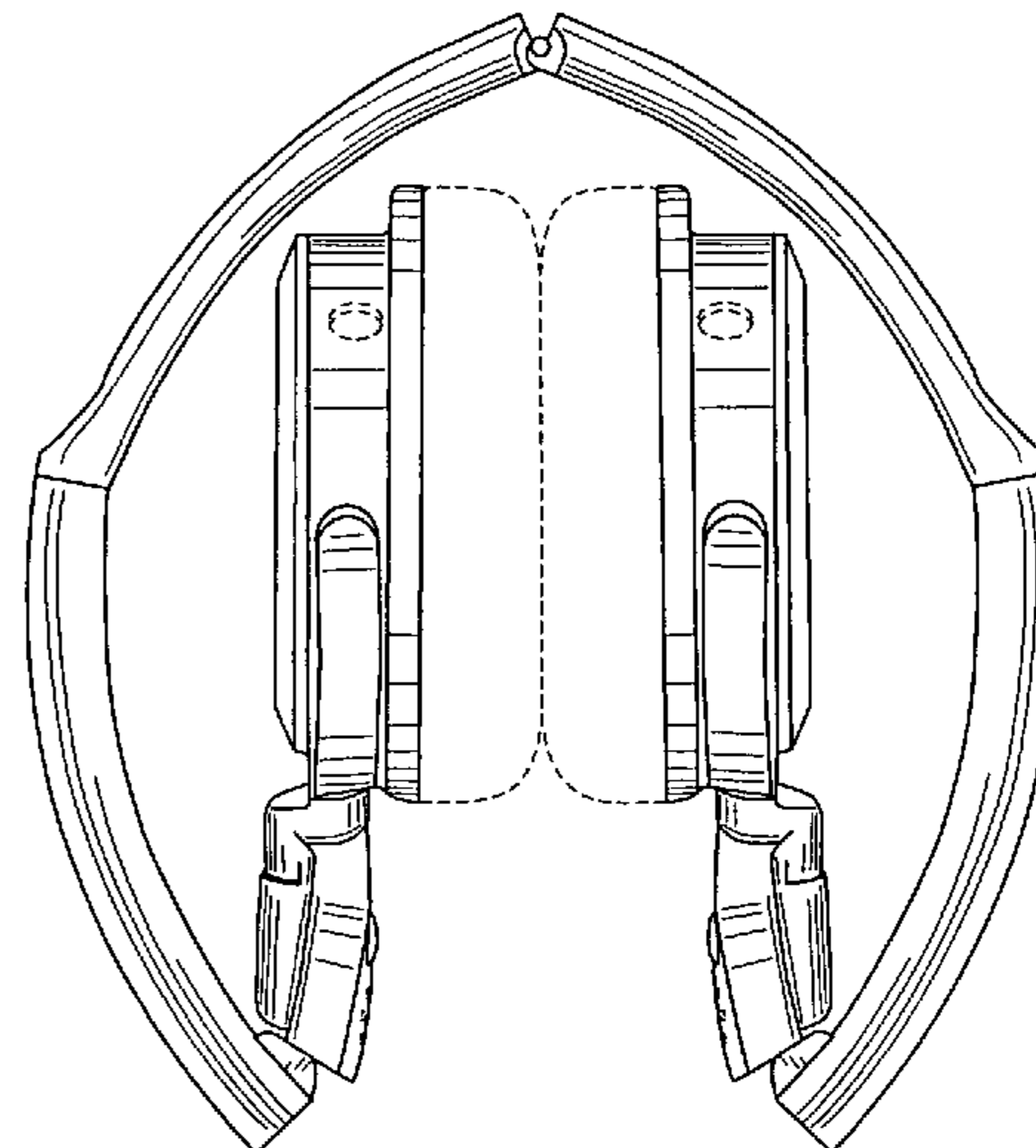
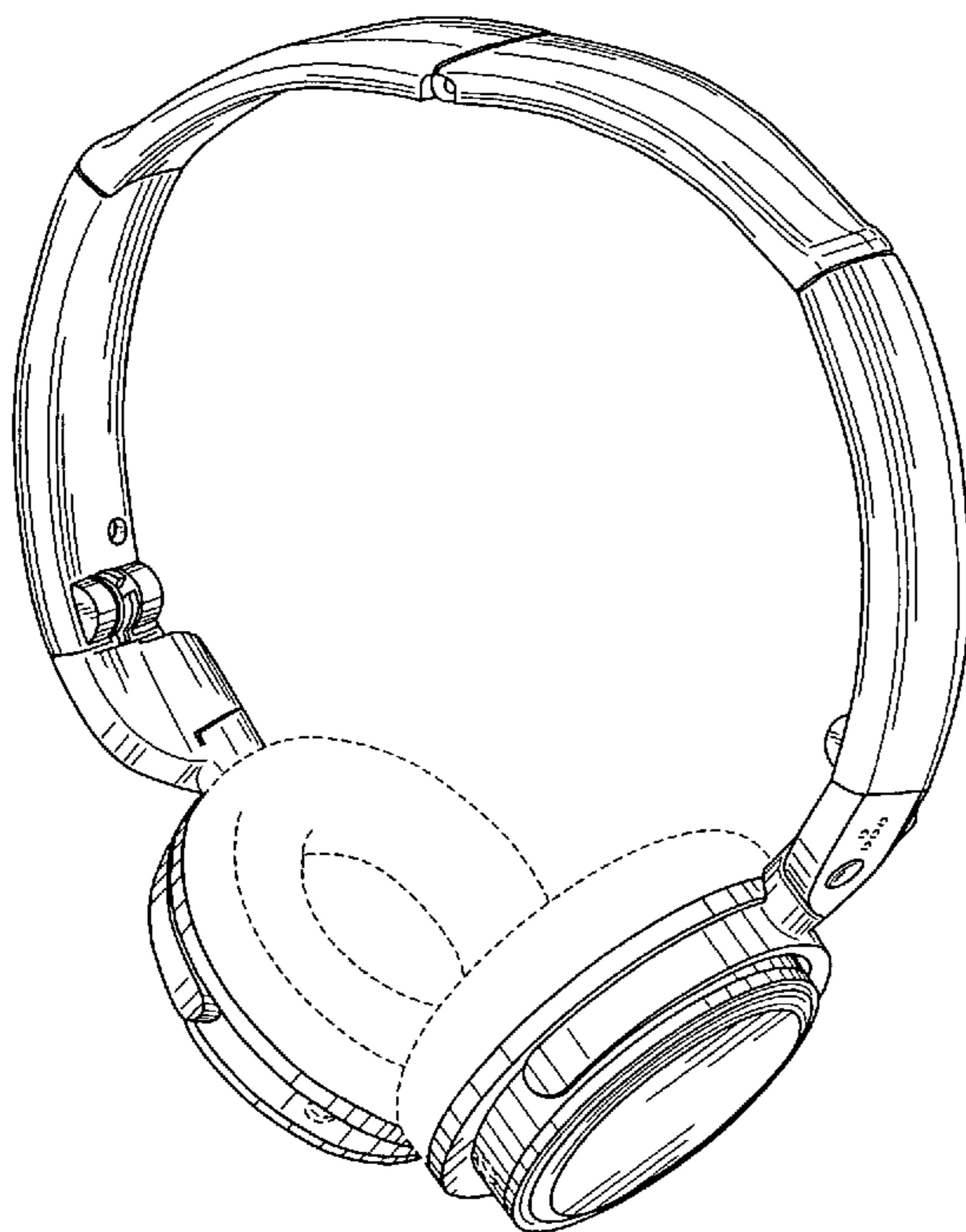


Fig. 1

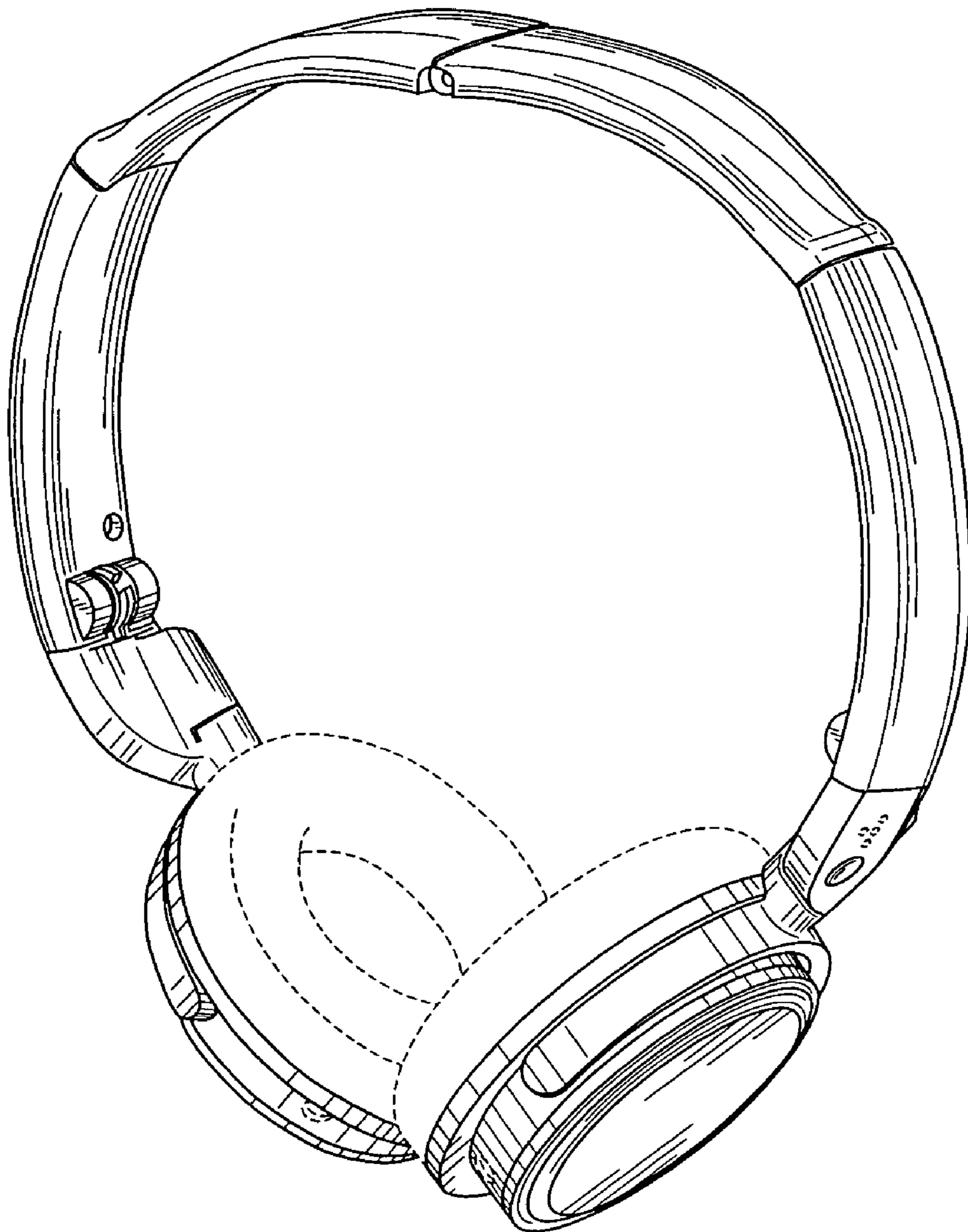


Fig.2

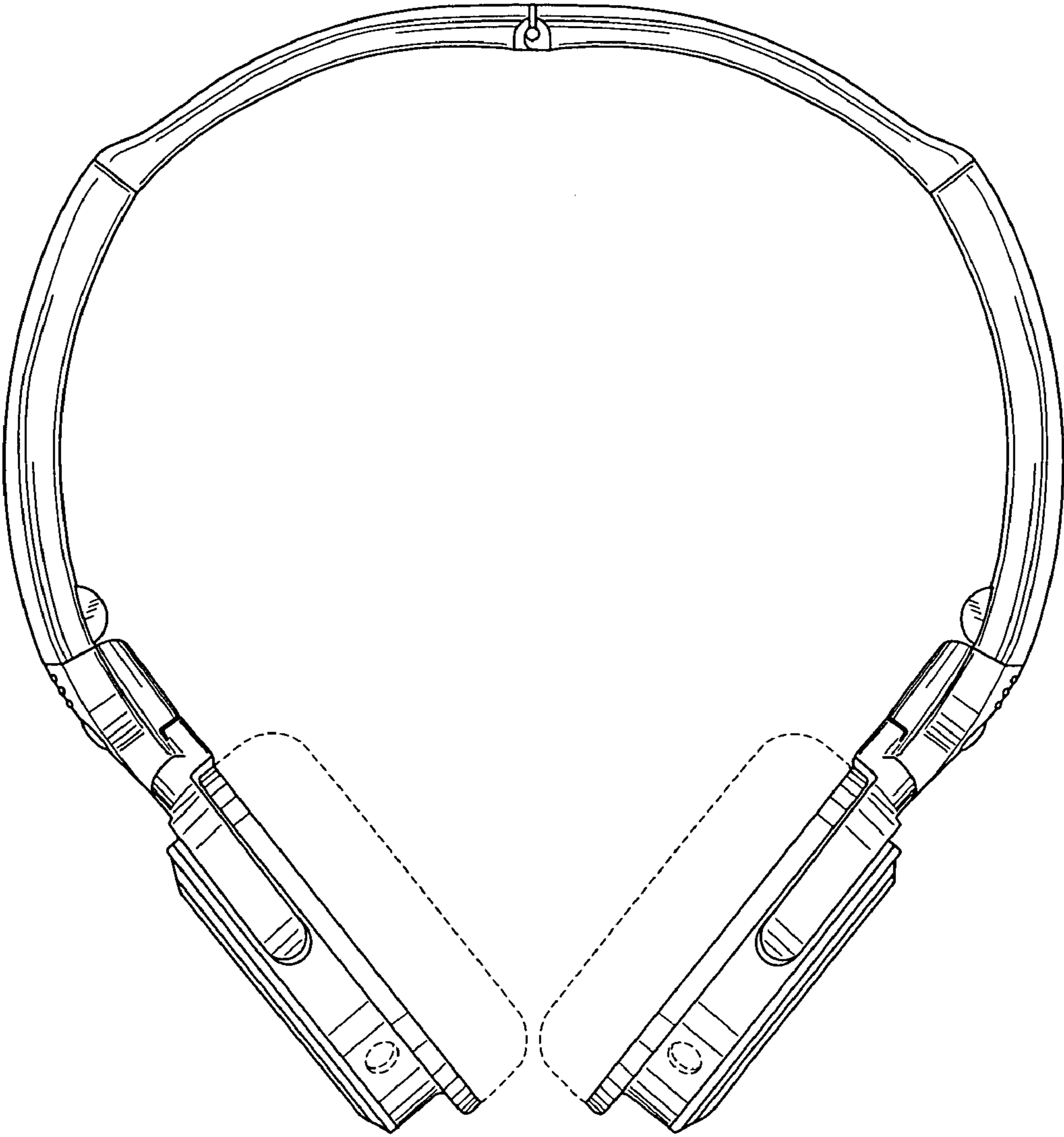


Fig.3

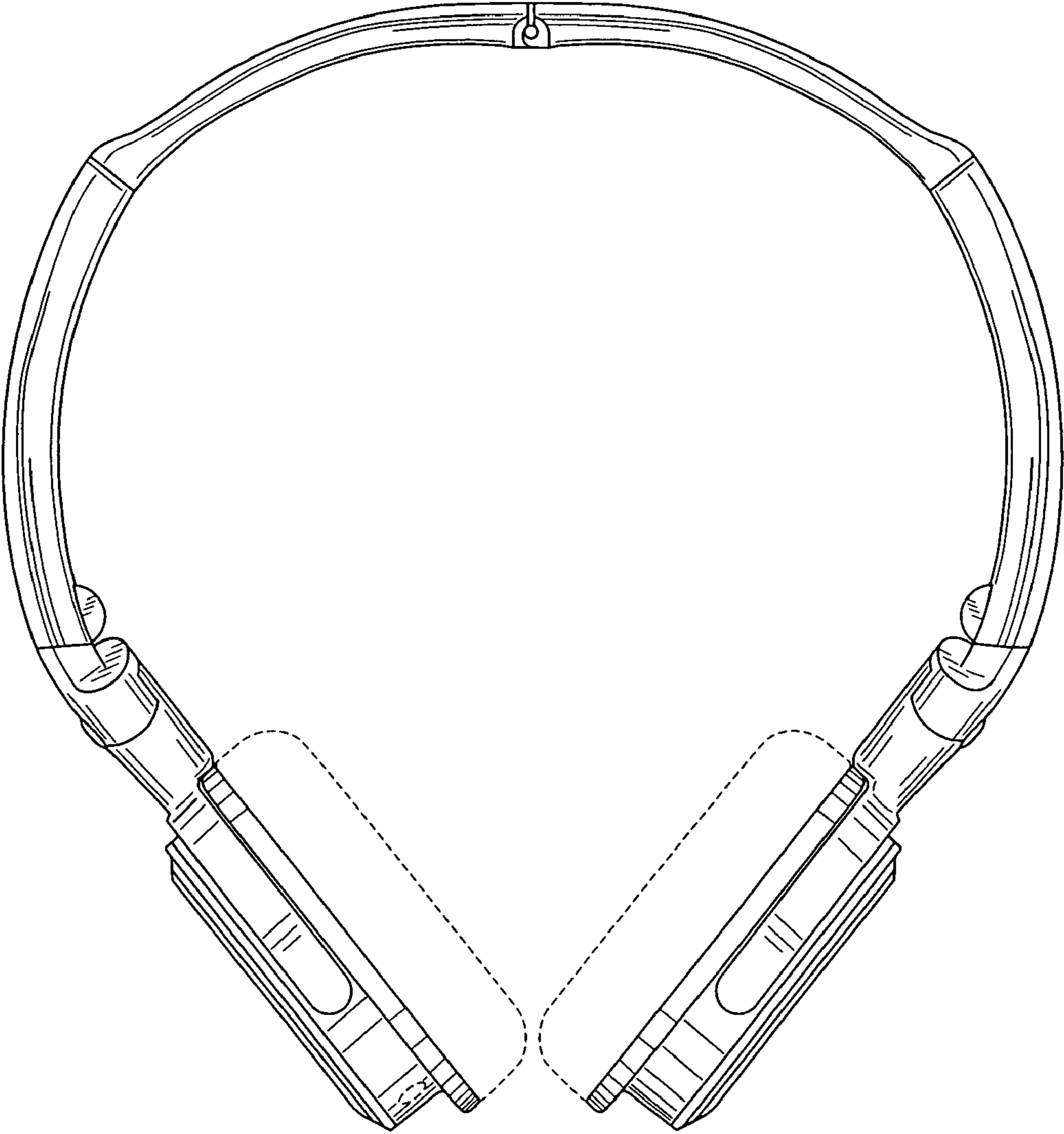


Fig.4

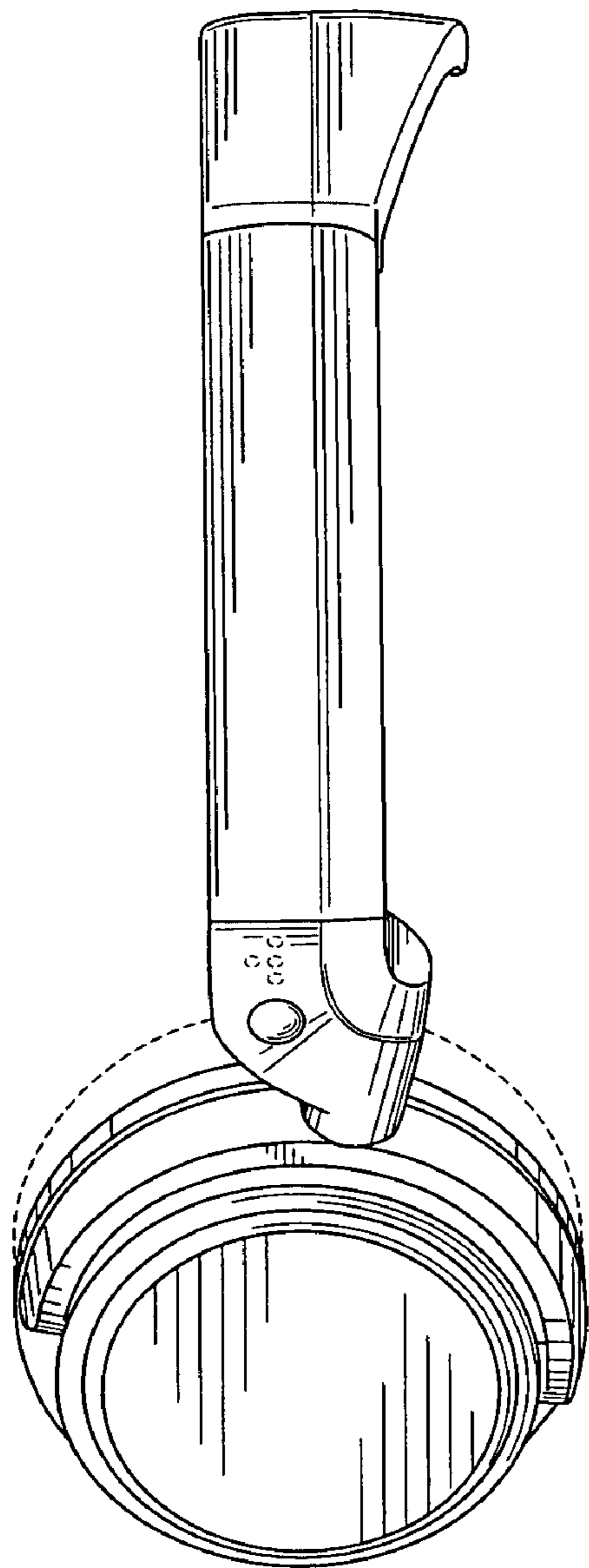


Fig.5

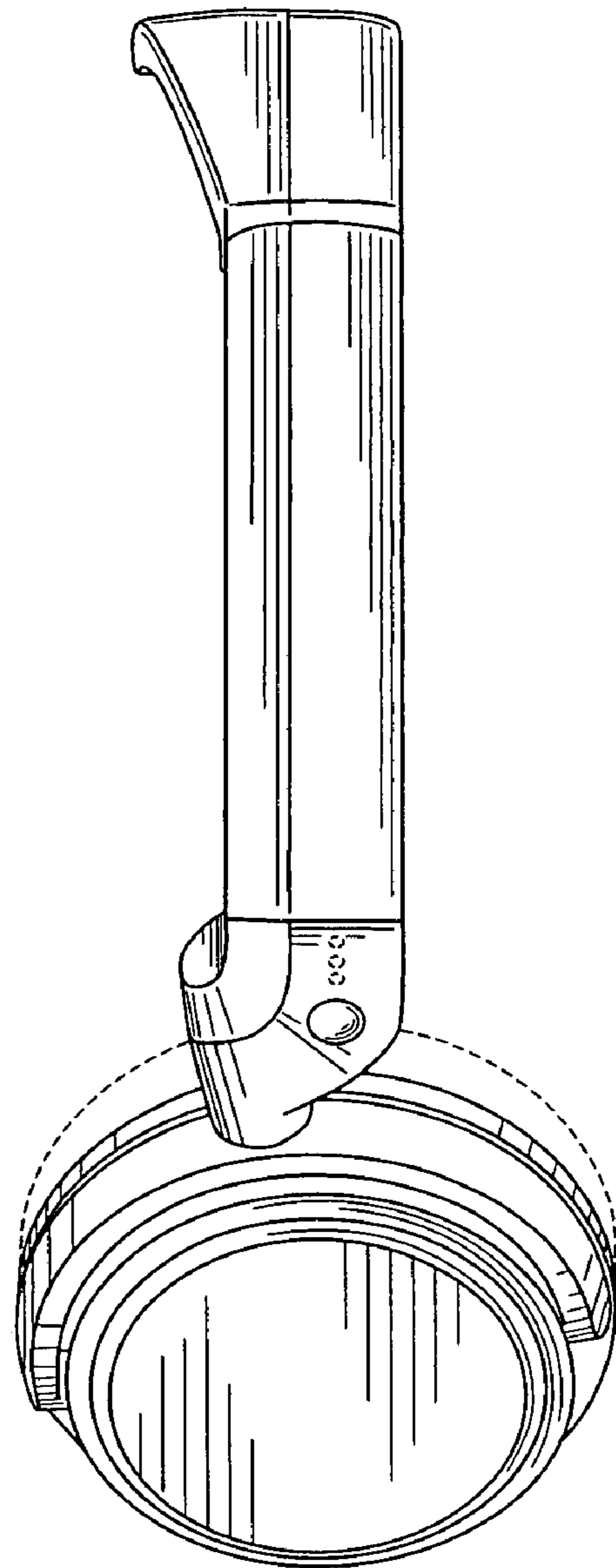


Fig.6

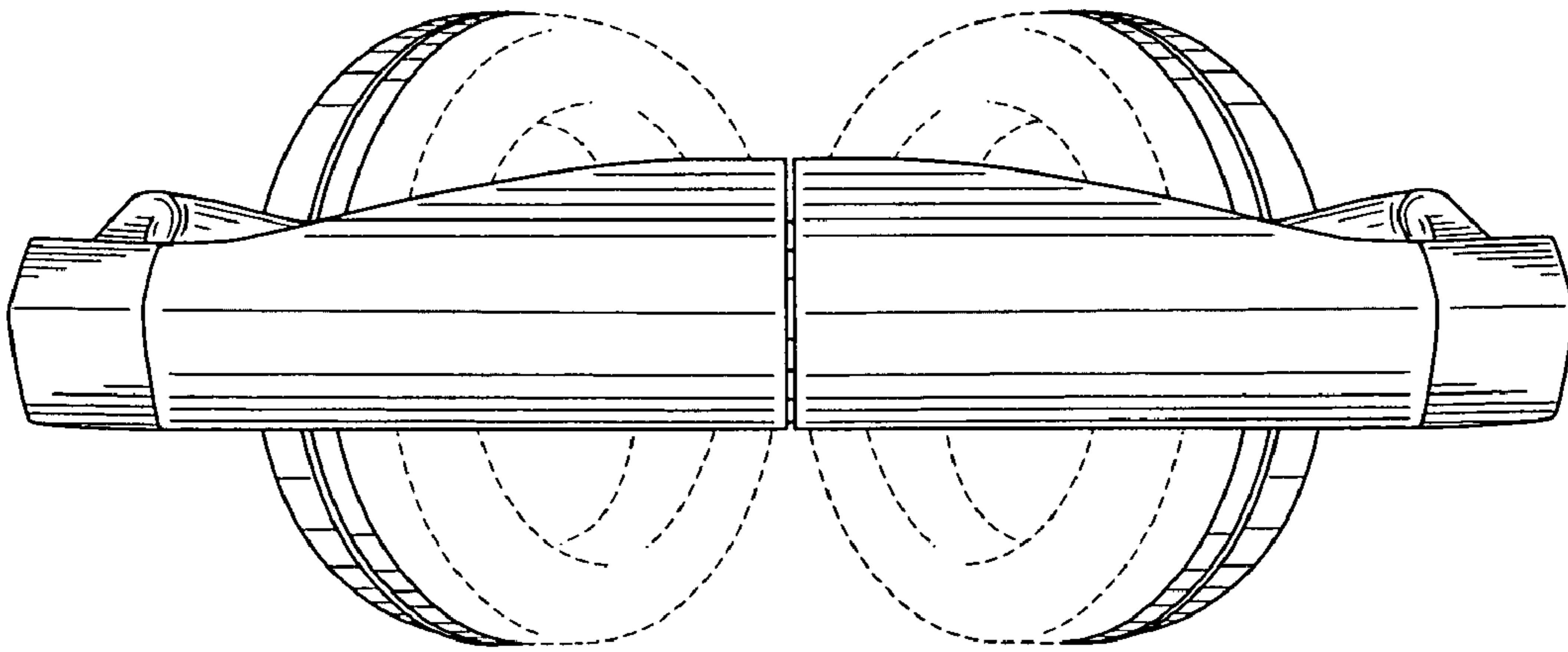


Fig.7

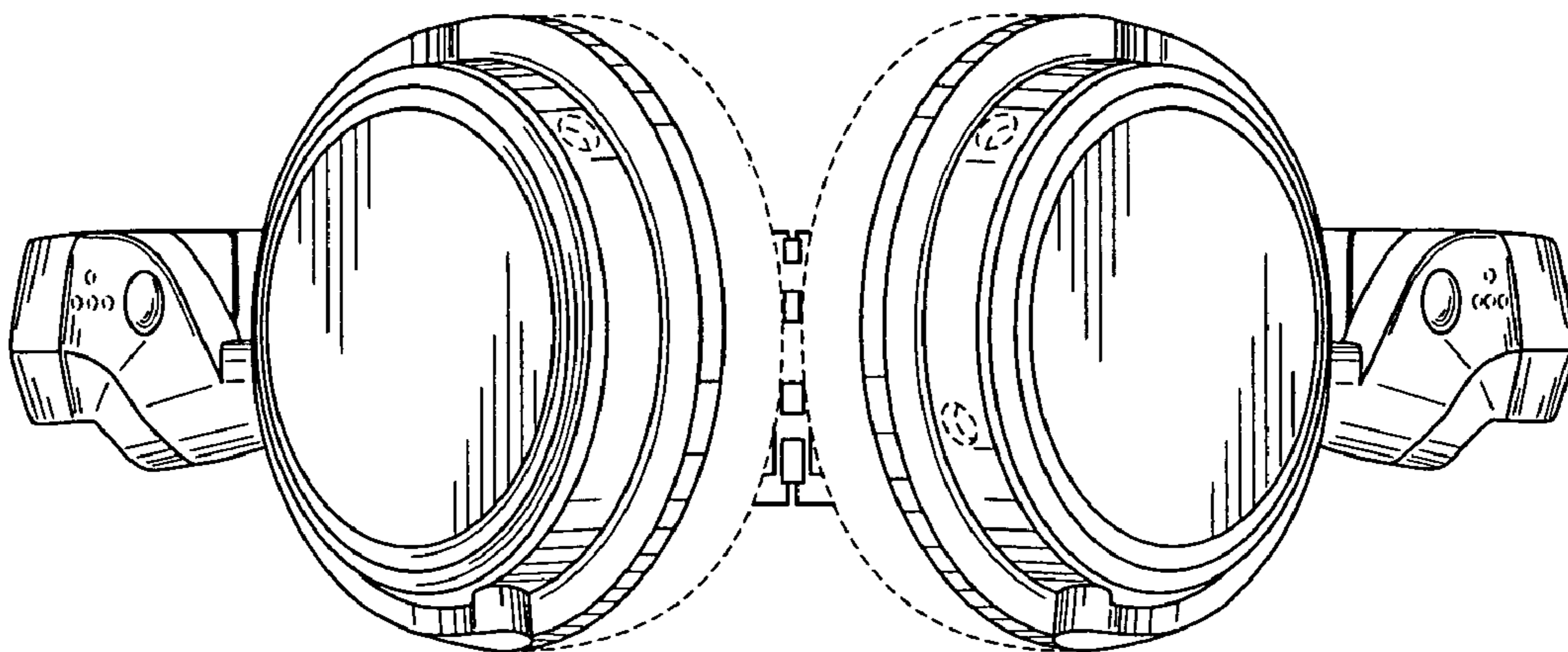


Fig.8

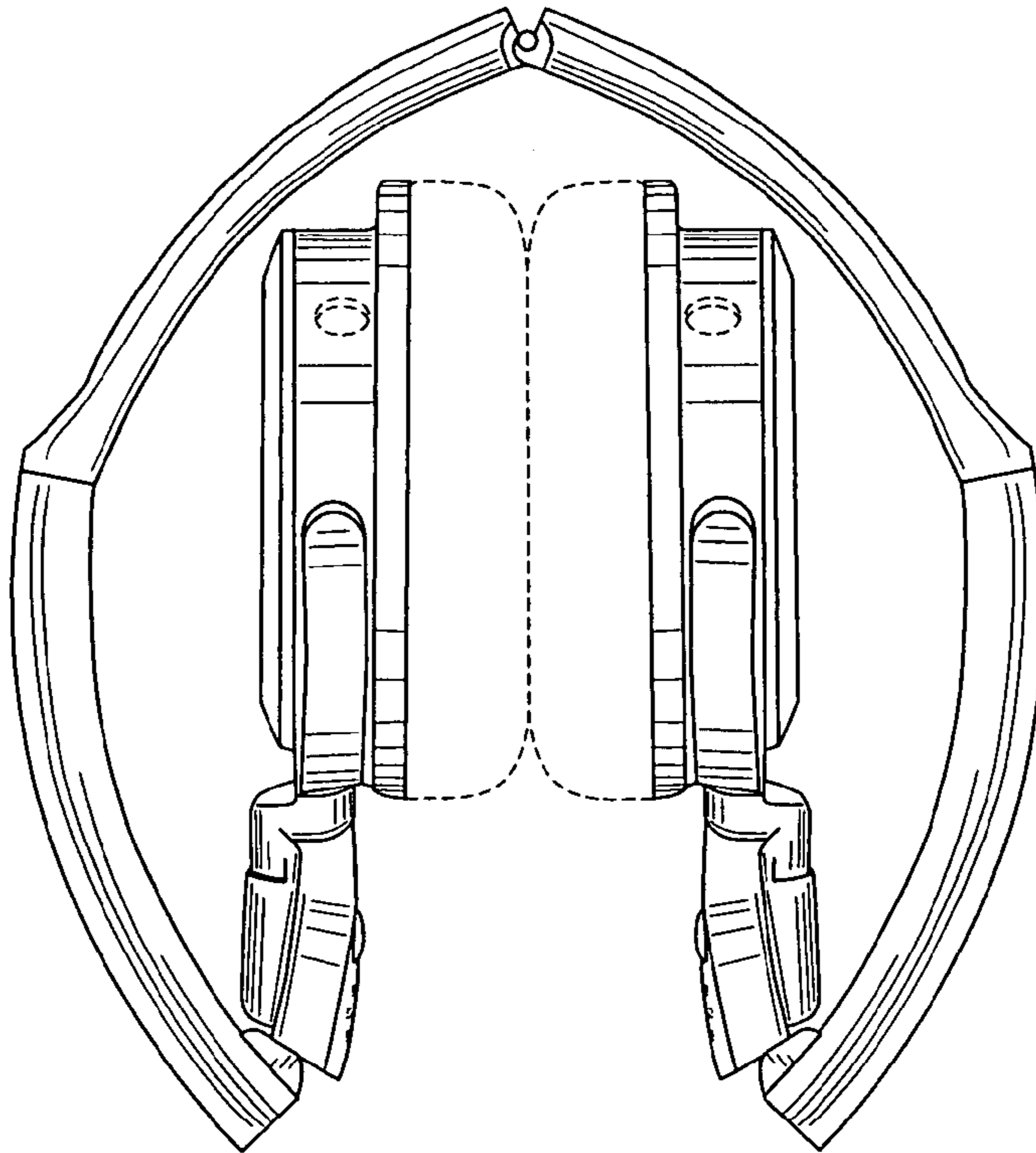


Fig.9

