



US00D573579S

(12) **United States Design Patent**  
**Yamaguchi**

(10) **Patent No.:** **US D573,579 S**

(45) **Date of Patent:** **\*\* Jul. 22, 2008**

(54) **DIGITAL AUDIO DISC PLAYER**

(75) Inventor: **Yoshifumi Yamaguchi**, Tokyo (JP)

(73) Assignee: **Victor Company of Japan, Limited**,  
Yokohama-shi, Kanagawa (JP)

(\*\*) Term: **14 Years**

(21) Appl. No.: **29/288,891**

(22) Filed: **Jun. 26, 2007**

(30) **Foreign Application Priority Data**

Dec. 27, 2006 (JP) ..... 2006-035855

(51) **LOC (8) Cl.** ..... **14-01**

(52) **U.S. Cl.** ..... **D14/156; D14/168; D14/216**

(58) **Field of Classification Search** ..... D14/204,  
D14/209-216, 156, 168, 172, 496; D26/74,  
D26/89; 181/143-144, 147-148, 150, 157,  
181/198-199, 151, 153; 381/300-302, 306,  
381/333, 345, 361-364, 386-388, 332, 336;  
369/1, 6-12

See application file for complete search history.

(56) **References Cited**

**U.S. PATENT DOCUMENTS**

D223,580 S \* 5/1972 Richards ..... D14/215

4,334,211 A \* 6/1982 McConnell et al. .... 181/143  
D375,746 S \* 11/1996 Wu ..... D14/216  
D384,350 S \* 9/1997 Nuevo et al. .... D14/168  
D392,640 S \* 3/1998 Tully et al. .... D14/216  
D436,943 S \* 1/2001 Hayashi et al. .... D14/168  
D505,941 S \* 6/2005 Hirano ..... D14/215

\* cited by examiner

*Primary Examiner*—Nanda Bondade

(74) *Attorney, Agent, or Firm*—Osha Liang LLP

(57) **CLAIM**

The ornamental design for a digital audio disc player, as shown and described.

**DESCRIPTION**

FIG. 1 is a perspective view of the front and right side of a digital audio disc player showing my new design;

FIG. 2 is a front view thereof;

FIG. 3 is a rear view thereof;

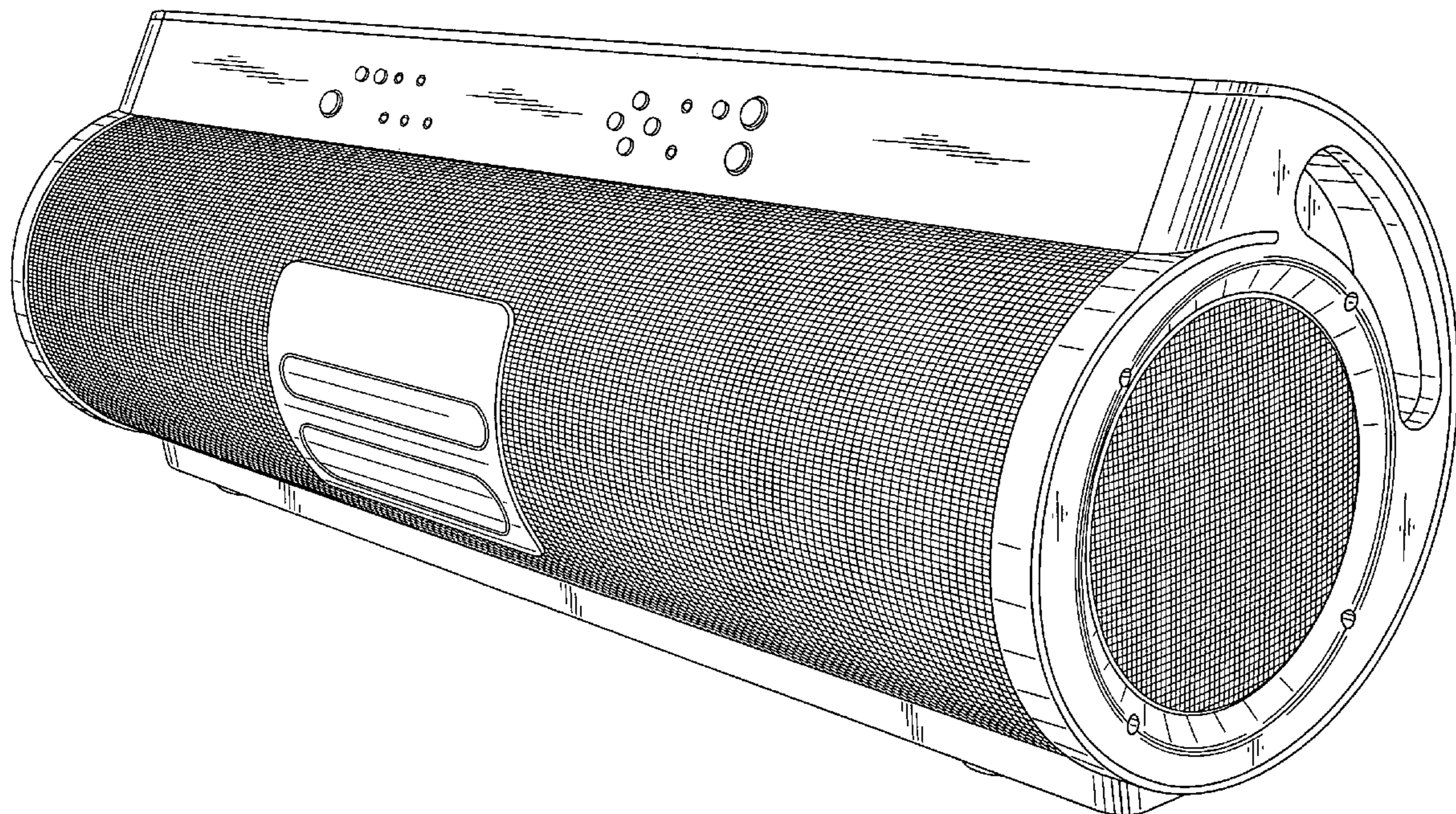
FIG. 4 is a top plan view thereof;

FIG. 5 is a bottom view thereof; and,

FIG. 6 is a right side view thereof, with the left side view being a mirror image thereof.

The elements shown in broken lines are for illustrative purposes only and form no part of the claimed design.

**1 Claim, 6 Drawing Sheets**



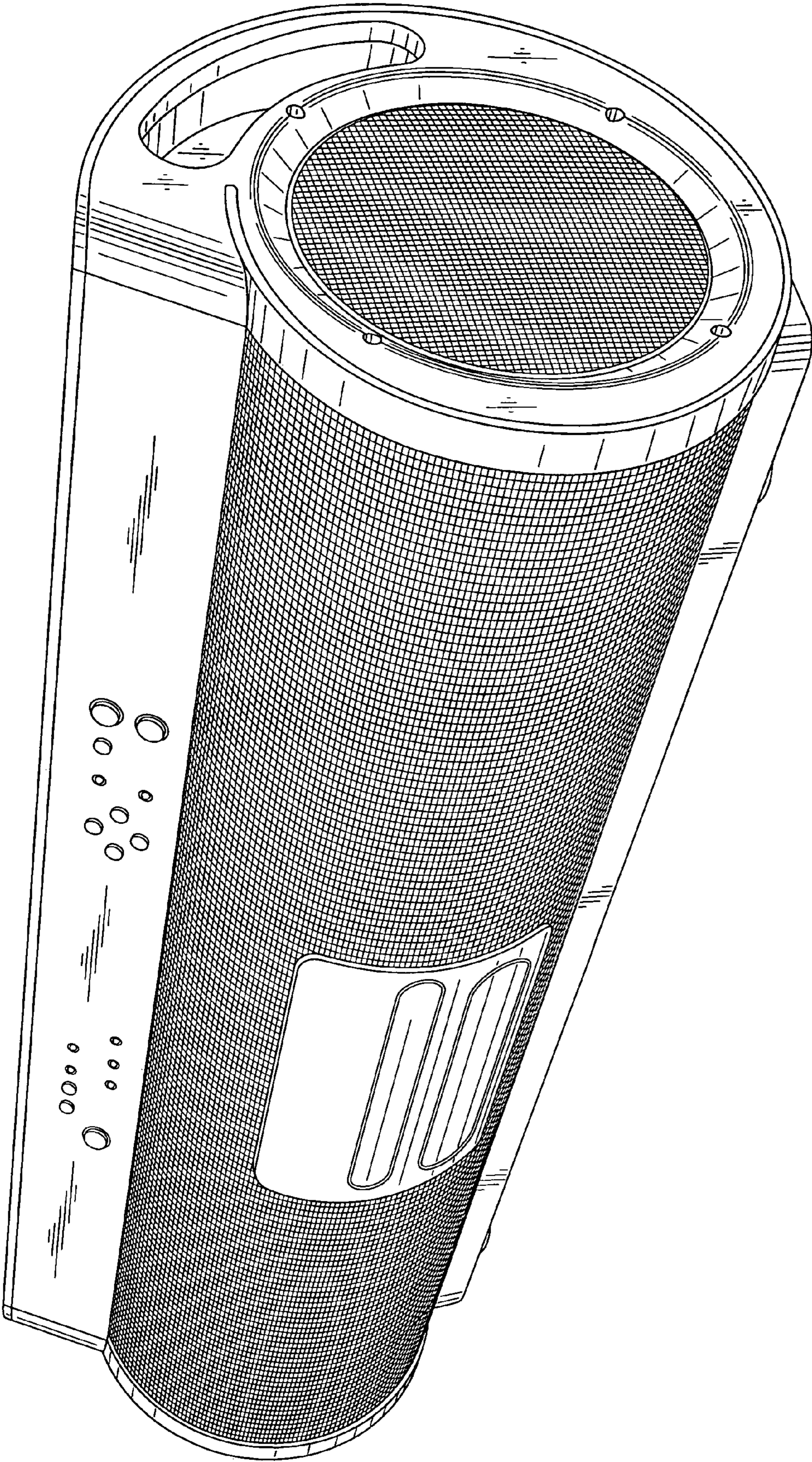


FIG. 1

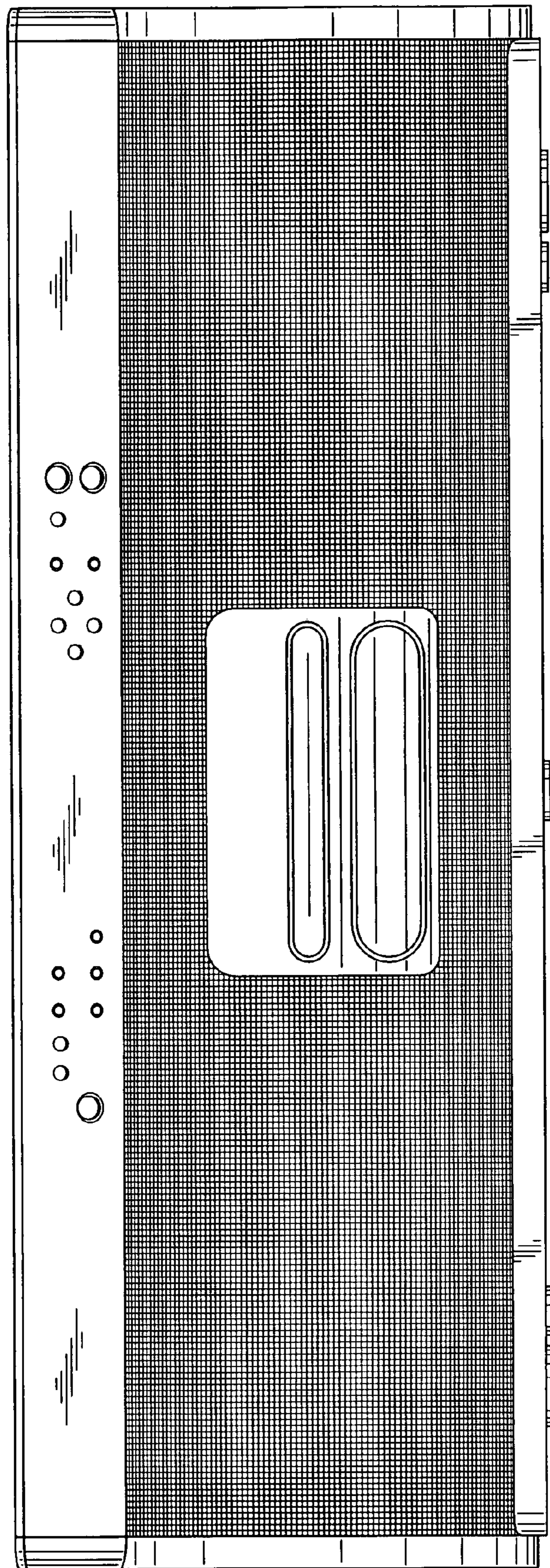


FIG. 2

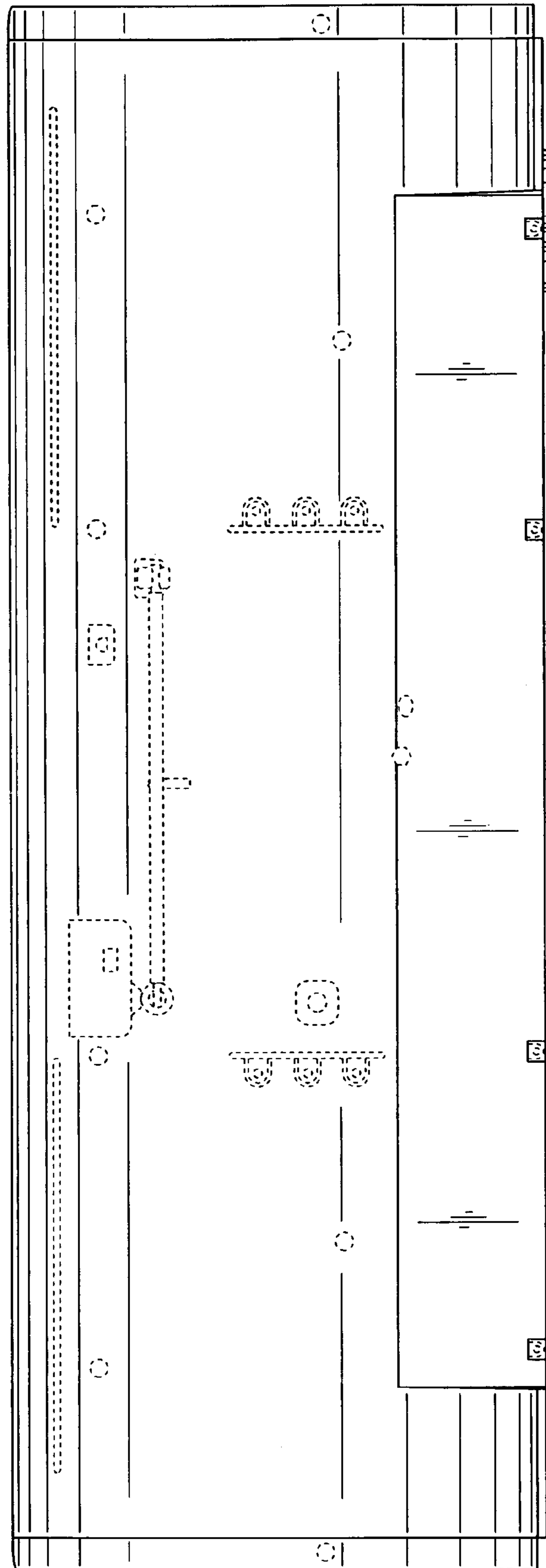


FIG. 3

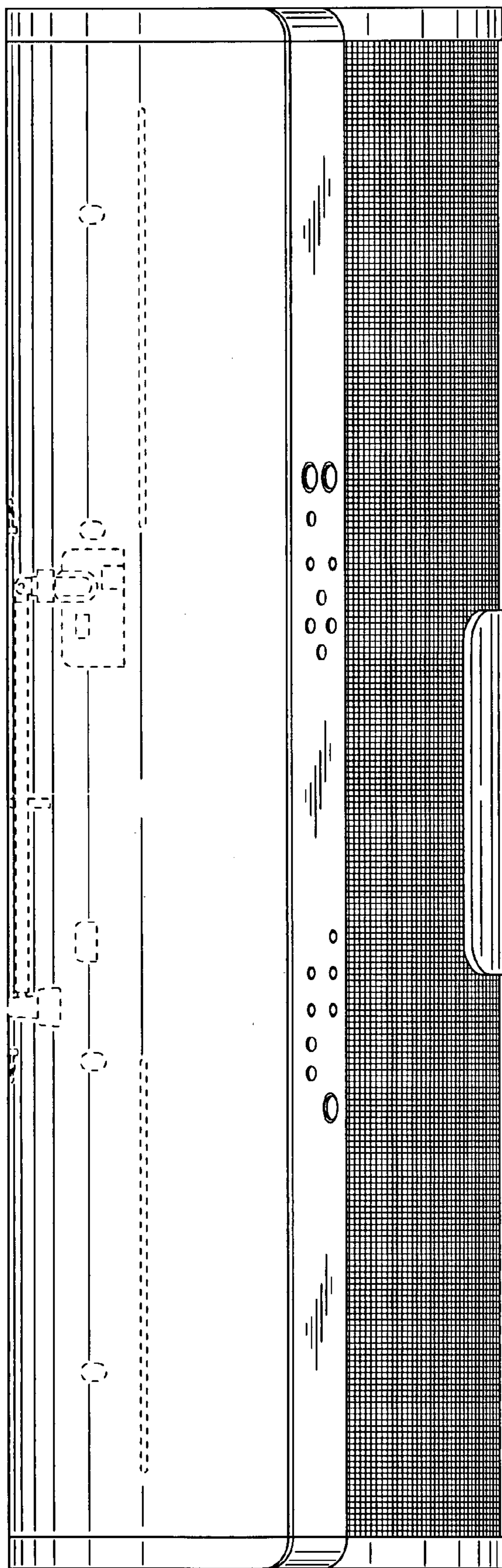


FIG. 4

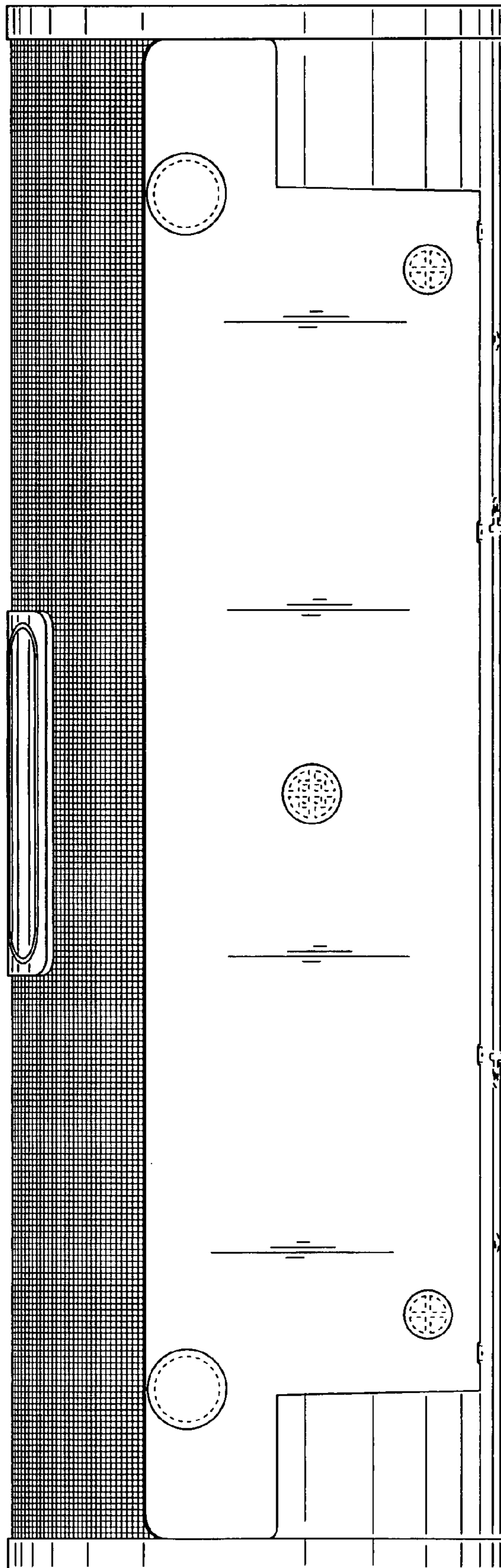
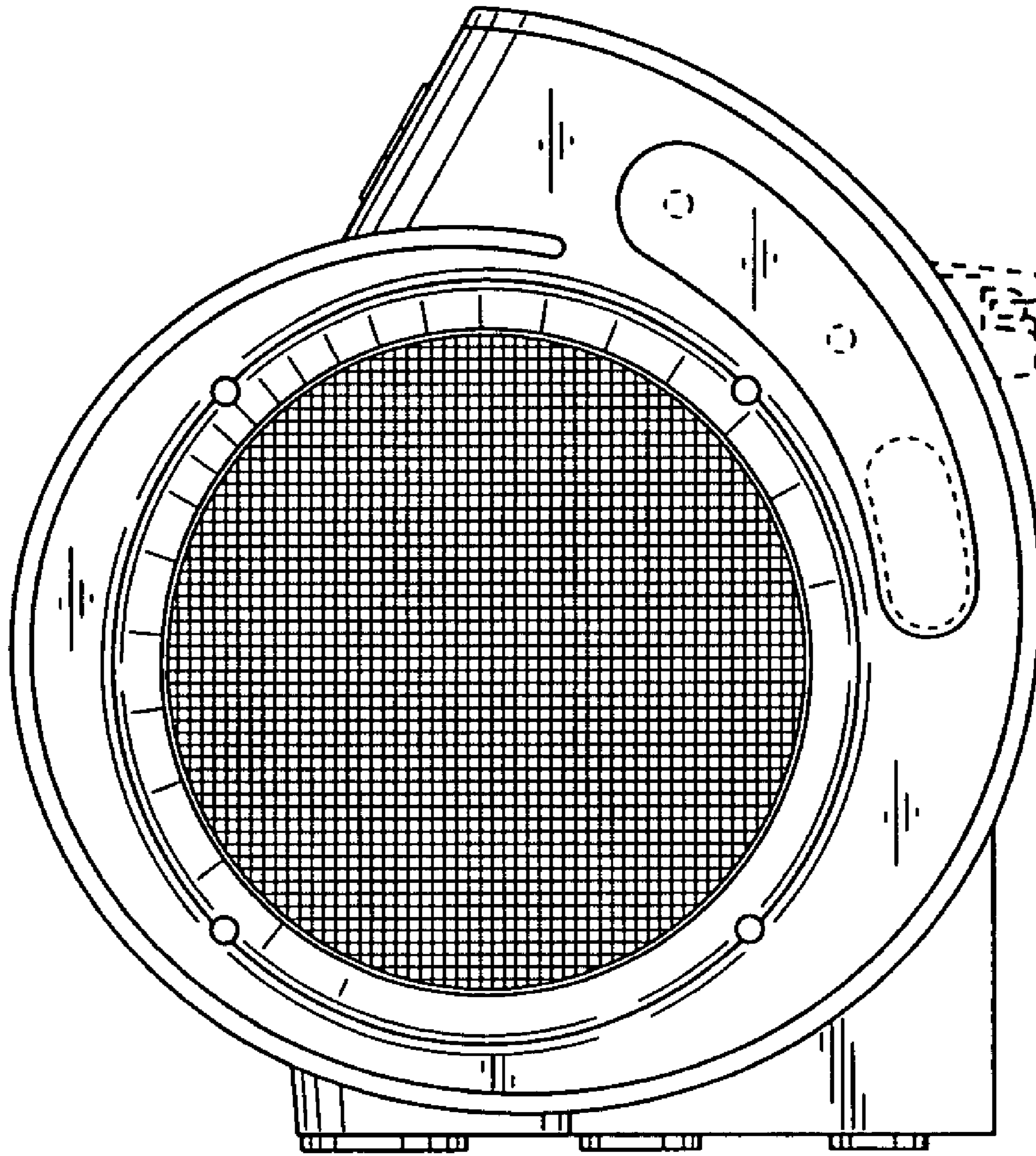


FIG. 5



**FIG. 6**