



US00D573578S

(12) **United States Design Patent**  
**Turksu et al.**

(10) **Patent No.:** **US D573,578 S**  
(45) **Date of Patent:** **\*\* Jul. 22, 2008**

(54) **FM TRANSMITTER**

(76) Inventors: **Alan Turksu**, Sariana LLC, 5450 Complex St., Ste. 306, San Diego, CA (US) 92123-1116; **Chen Bo**, Jimbo Digitech Co., Ltd. D-2-1905, BianFang Building, No. 139 MeiLin Rd, ShenZhen City 518049, GuangDong Province (CN)

(\*\*) Term: **14 Years**

(21) Appl. No.: **29/291,537**

(22) Filed: **Sep. 4, 2007**

(51) **LOC (8) Cl.** ..... **14-03**

(52) **U.S. Cl.** ..... **D14/155**

(58) **Field of Classification Search** ..... D14/358, D14/299, 248, 240, 218, 191, 188, 162, 155, D14/137, 226; D13/168, 110, 144, 107, D13/108; D10/121, 104, 106; 343/711, 343/713; 381/76, 80, 86; 455/119, 121  
See application file for complete search history.

(56) **References Cited**

**U.S. PATENT DOCUMENTS**

D85,176 S	9/1931	Garretson	
D317,579 S	6/1991	Shalvi	
D330,700 S	* 11/1992	Wharton	D13/158
D330,885 S	* 11/1992	Tattari	D13/108
5,230,563 A	7/1993	Shalvi	
D341,123 S	* 11/1993	Hakanen et al.	D13/108
D347,824 S	* 6/1994	Wharton	D13/144
D349,096 S	* 7/1994	Hyvonen	D13/107
D357,201 S	4/1995	Novack	
D381,662 S	7/1997	Weissberg et al.	
D398,287 S	* 9/1998	Luminosu	D13/144
D410,432 S	* 6/1999	Park	D13/110
D435,580 S	12/2000	Grinkus	
D462,022 S	8/2002	Luebke et al.	
D463,990 S	10/2002	Wysocki	

(Continued)

**OTHER PUBLICATIONS**

Internet. Amazon.com: Telek, Wireless FM Transmitter Black for MP3 iPod Zune Car (<http://www.amazon.com/Wireless-Transmitter-Black-iPod-Zune/dp/B000RVB2DG>); Sep. 3, 2007.

(Continued)

*Primary Examiner*—Cathron Brooks  
*Assistant Examiner*—Austin Murphy  
(74) *Attorney, Agent, or Firm*—Biotech Beach Law Group PC

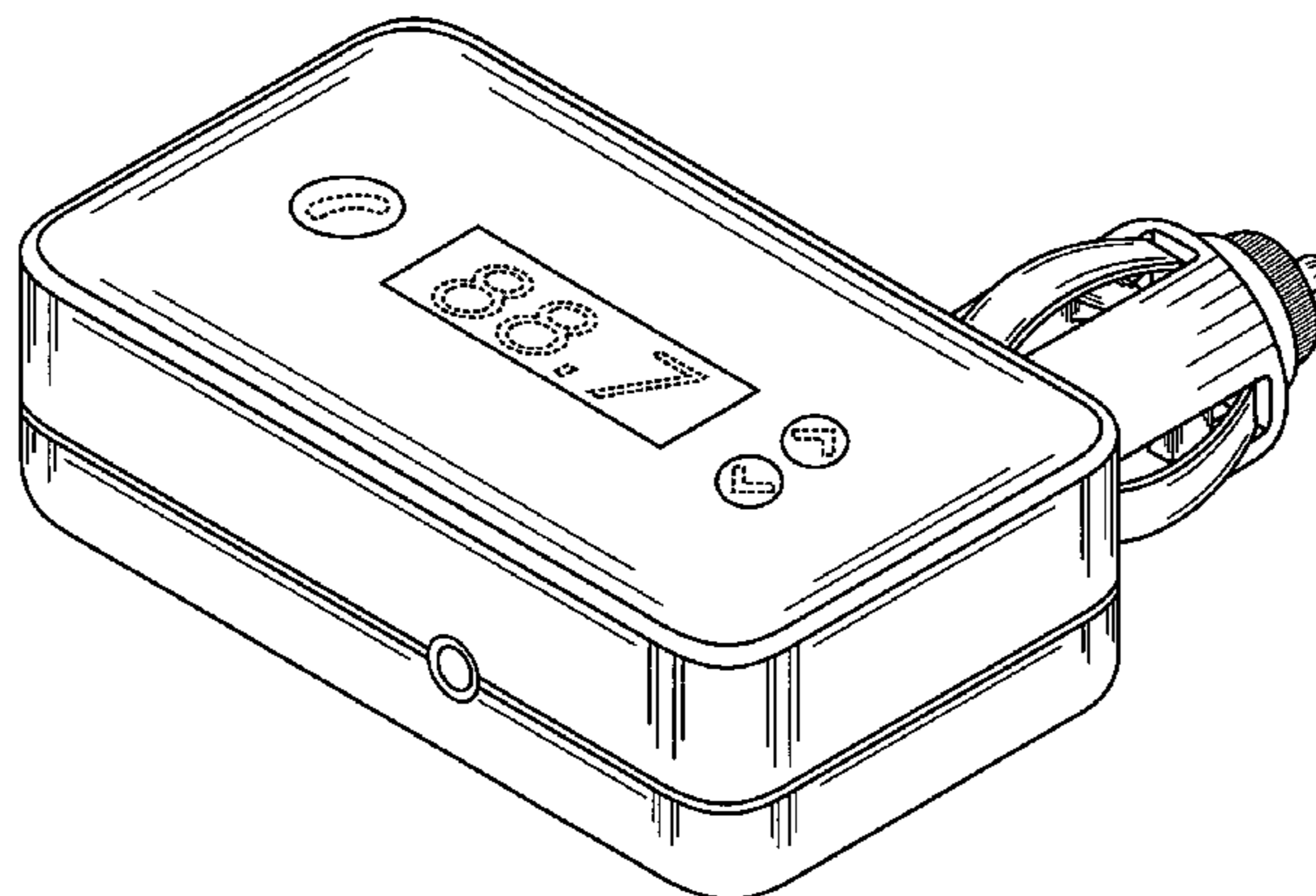
(57) **CLAIM**

What is claimed is the ornamental design for an FM transmitter, as shown and described.

**DESCRIPTION**

FIG. 1 is a front elevational view of the FM transmitter; FIG. 2 is a rear elevational view thereof; FIG. 3 is a right, top, rear perspective view thereof, wherein an adapter is positioned outwards; FIG. 4 is a top plan view thereof; FIG. 5 is a bottom plan view thereof; FIG. 6 is a right side elevational view thereof; FIG. 7 is a left side elevational view thereof; FIG. 8 is a right, top, rear perspective view of the FM transmitter shown in an alternate position of use; FIG. 9 is a right side elevational view shown in an alternate position of use; and, FIG. 10 is an enlarged front, bottom, left perspective view shown in an alternate position of use, and showing additional broken lines depicting optional visual indicia. The broken line showing of elements of the FM transmitter, form no part of the claimed design.

**1 Claim, 6 Drawing Sheets**



U.S. PATENT DOCUMENTS

D479,712 S	9/2003	Ng	
D483,281 S	12/2003	Cobigo	
D487,470 S	3/2004	Cobigo	
D487,735 S	3/2004	Wu et al.	
D489,696 S	5/2004	Cho	
D489,713 S	5/2004	Yusa	
D495,665 S	9/2004	Stekelenburg	
D496,639 S	9/2004	Deubler, Jr.	
D498,219 S	11/2004	Hamann	
D500,484 S	1/2005	Deguchi	
D504,407 S *	4/2005	Cohen et al.	D14/155
D504,408 S *	4/2005	Bey et al.	D14/155
D506,455 S *	6/2005	Bey et al.	D14/155
D506,989 S	7/2005	Seil et al.	
D507,261 S *	7/2005	Griffin	D14/226
D520,996 S *	5/2006	Deng	D14/356
D521,487 S *	5/2006	Dayan	D14/155
D528,077 S *	9/2006	Yuen	D13/144
D532,776 S *	11/2006	Griffin	D14/218
D535,972 S *	1/2007	Griffin	D14/155

D538,775 S *	3/2007	Dayan	D14/155
D546,811 S	7/2007	Neu et al.	
D548,719 S *	8/2007	Dayan	D14/155
D556,730 S *	12/2007	Yokoyama et al.	D14/155

OTHER PUBLICATIONS

Internet. Amazon.com: VR3, Roadmaster Wireless FM Modulator for iPod and MP3 Players (<http://www.amazon.com/Roadmaster-Wireless-Modulator-iPod-Players/dp/B000IU3Ak>), Sep. 3, 2007.

Internet. Amazon.com: Logic3, Logic 3 Universal FM Transmitter with Car Adaptor (<http://www.amazon.com/Logic3-Universal-Transmitter-Car-Adaptor/dp/B000JS5DFU>), Sep. 3, 2007.

Internet. Amazon.co.uk: Cygnett, Cygnett Groove Ride FM Transmitter (<http://www.amazon.com/Cygnett-Groove-Ride-FM-Transmitter/dp/B000JESVFI>), Sep. 3, 2007.

Internet. Belkin Products, TuneCast Mobile FM Transmitter ([http://catalog.belkin.com/IWCatProductPage.process?Product\\_Id=140984](http://catalog.belkin.com/IWCatProductPage.process?Product_Id=140984)), Sep. 3, 2007.

Internet. Belkin Products, TuneCast II, ([http://catalog.belkin.com/IWCatProductPage.process?Product\\_Id=166903](http://catalog.belkin.com/IWCatProductPage.process?Product_Id=166903)), Sep. 3, 2007.

\* cited by examiner

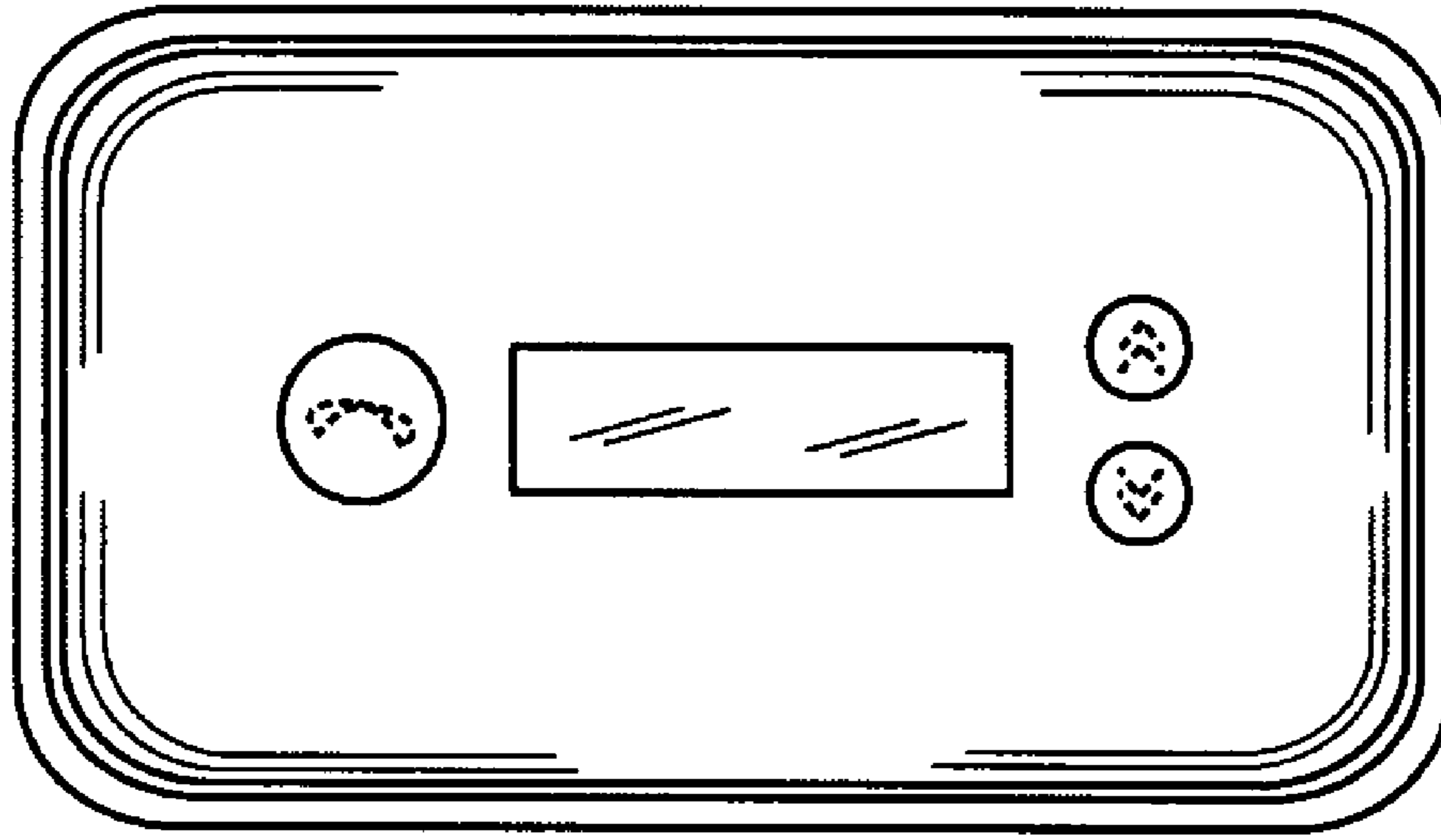


FIG. 1

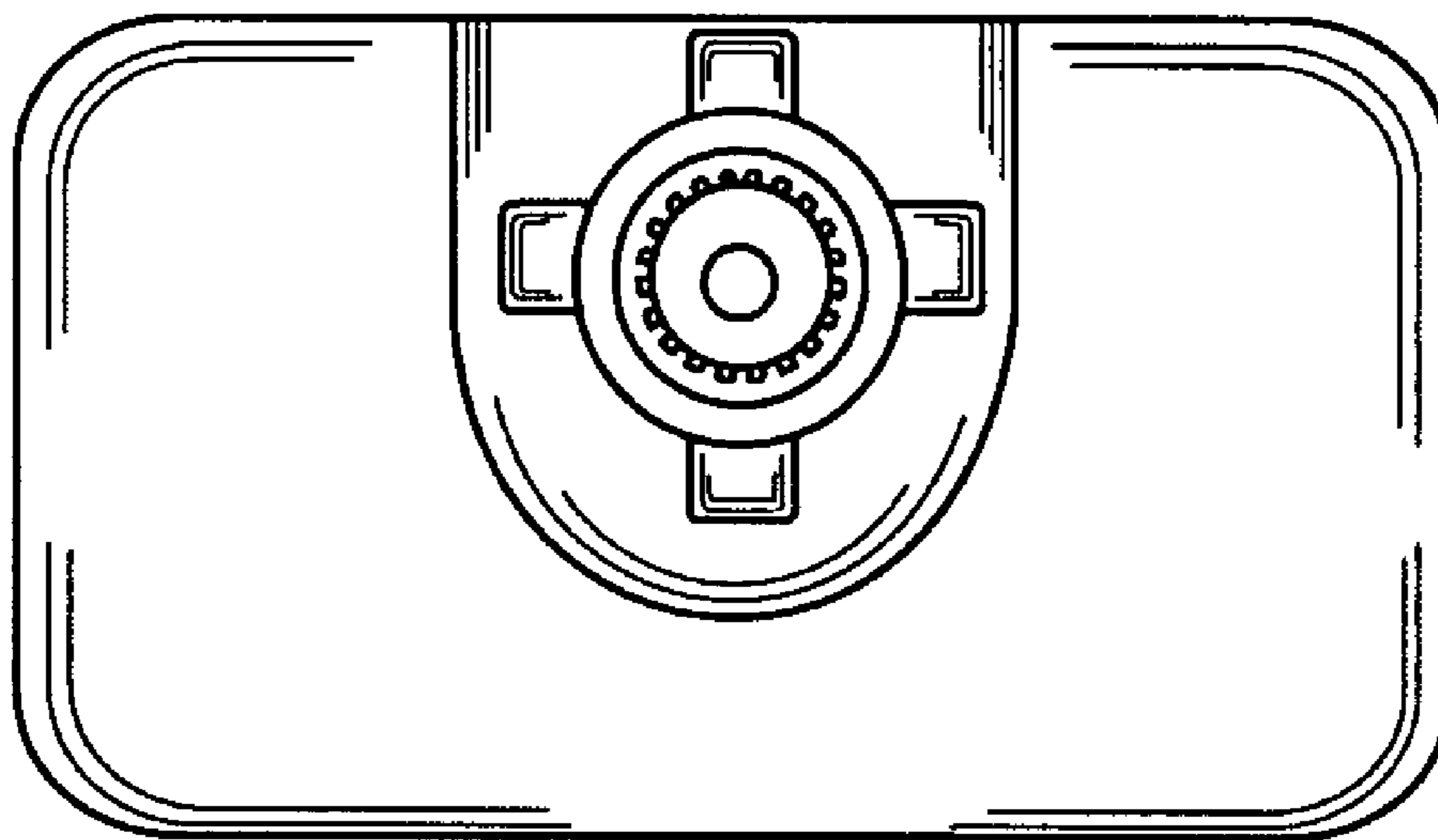


FIG. 2

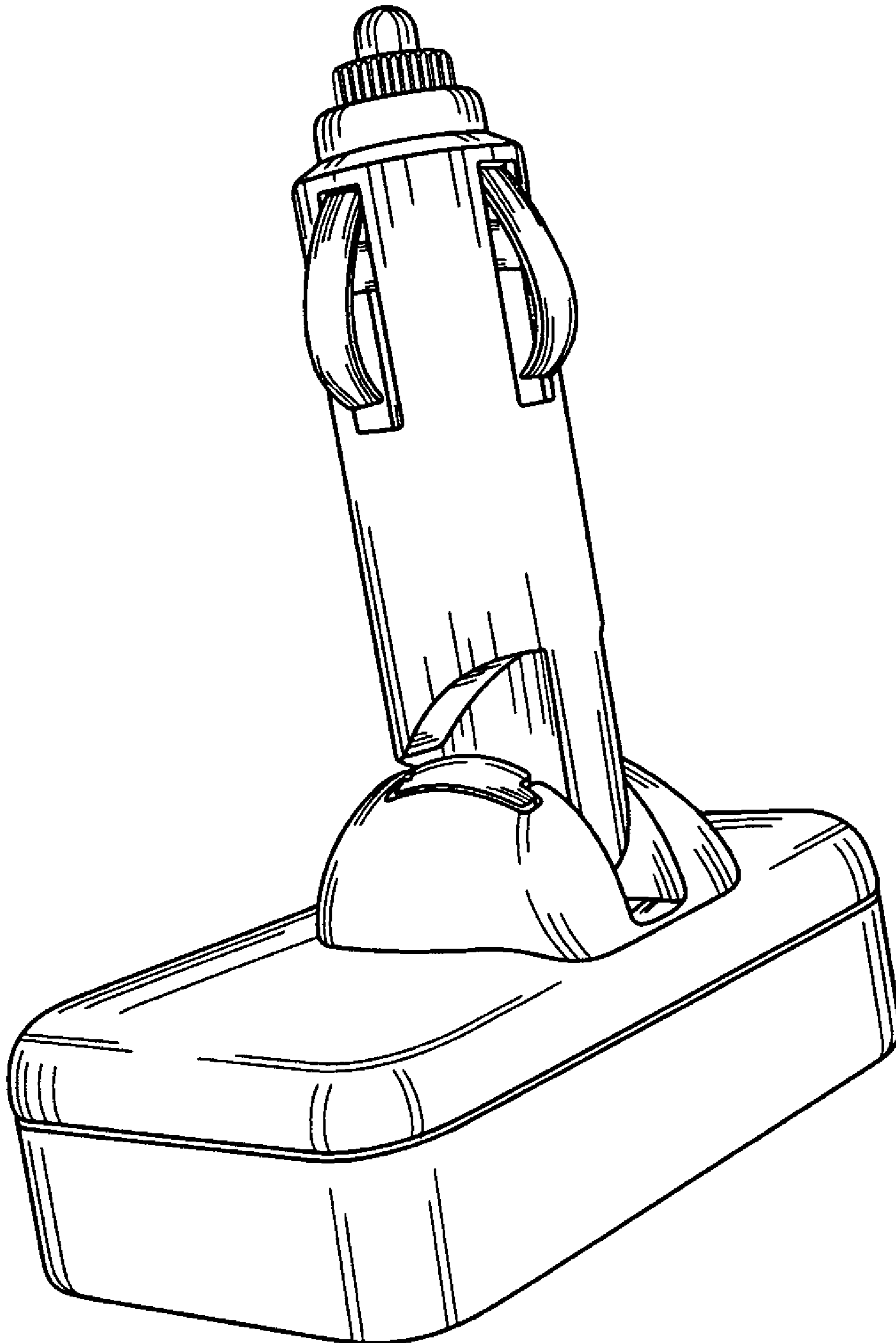


FIG. 3

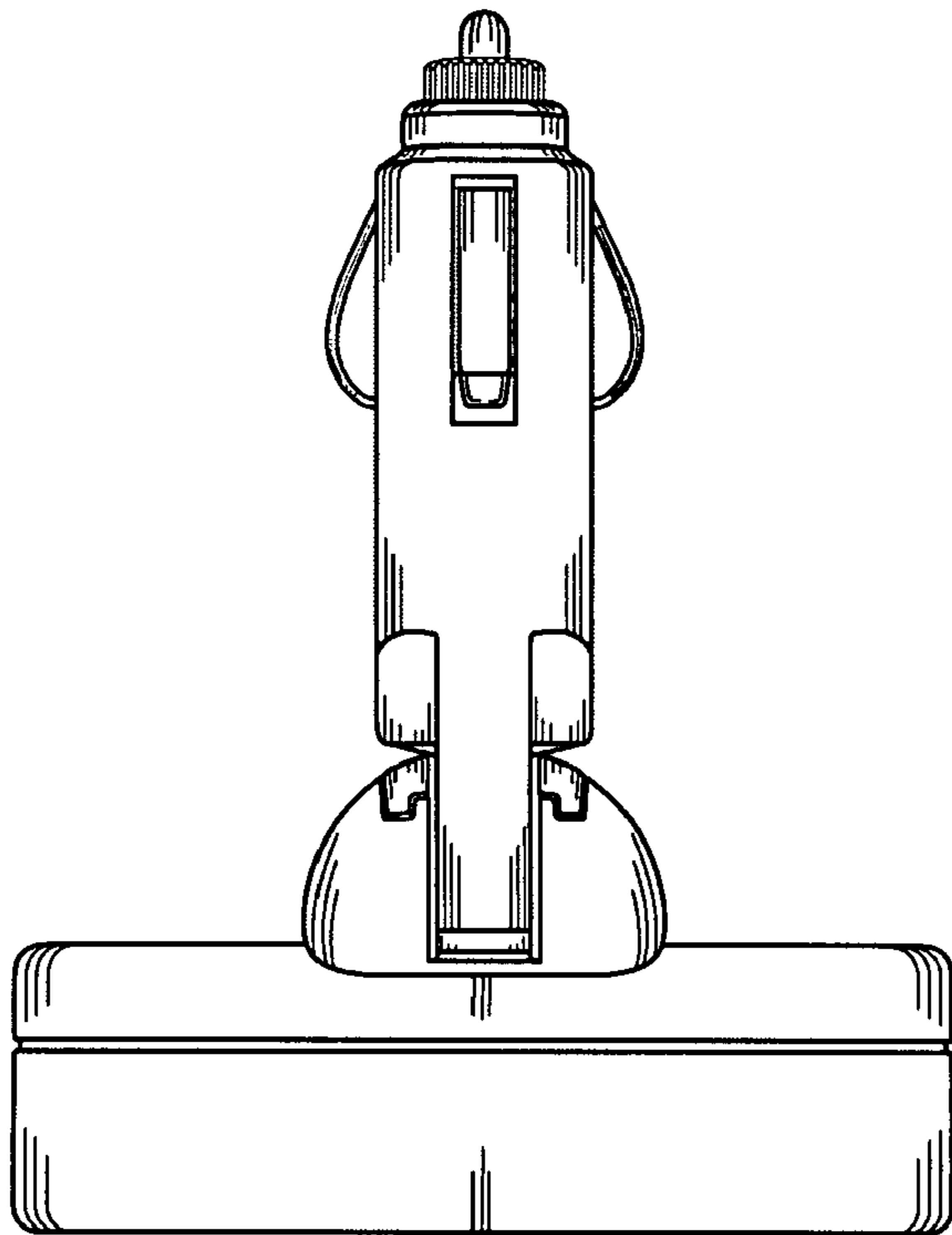


FIG. 4

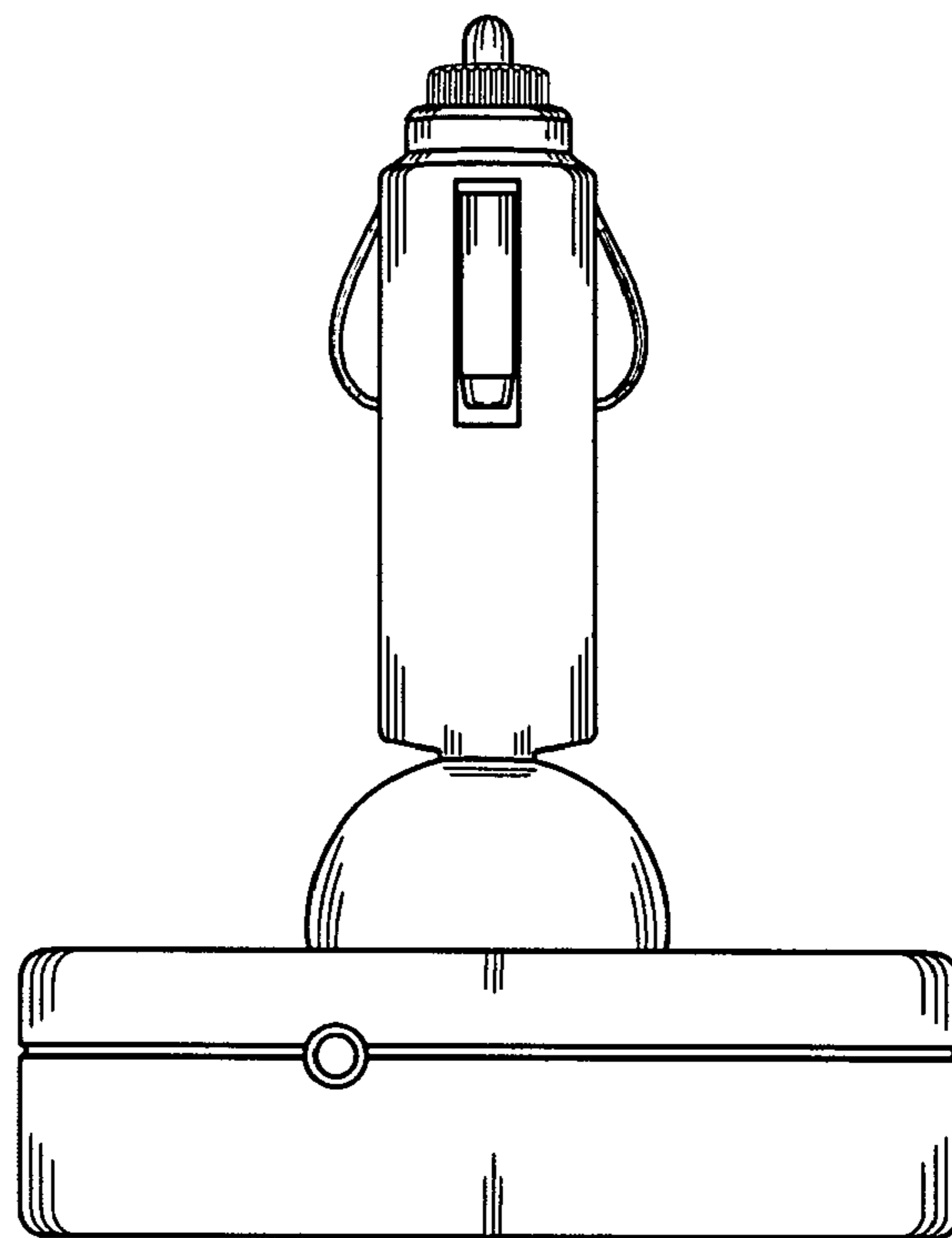


FIG. 5

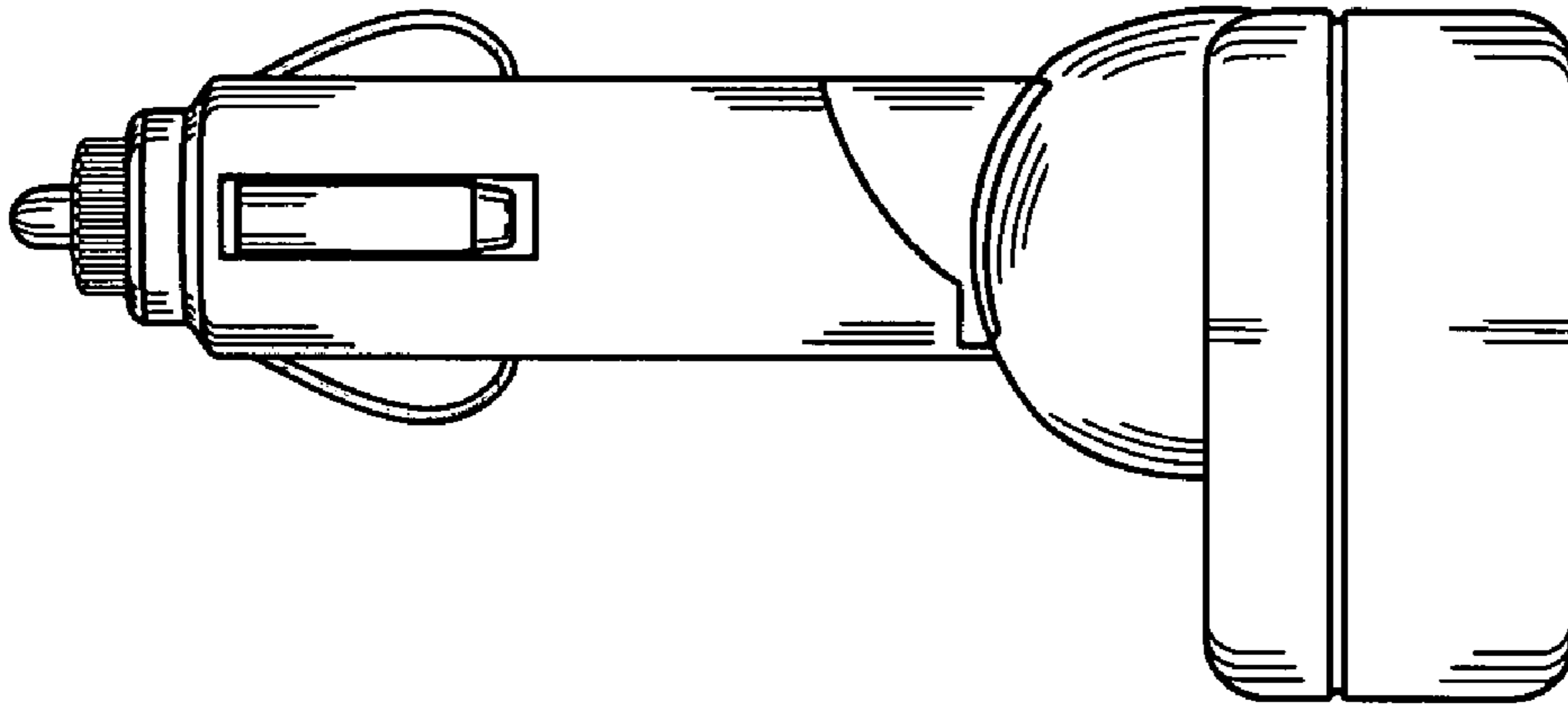


FIG. 6

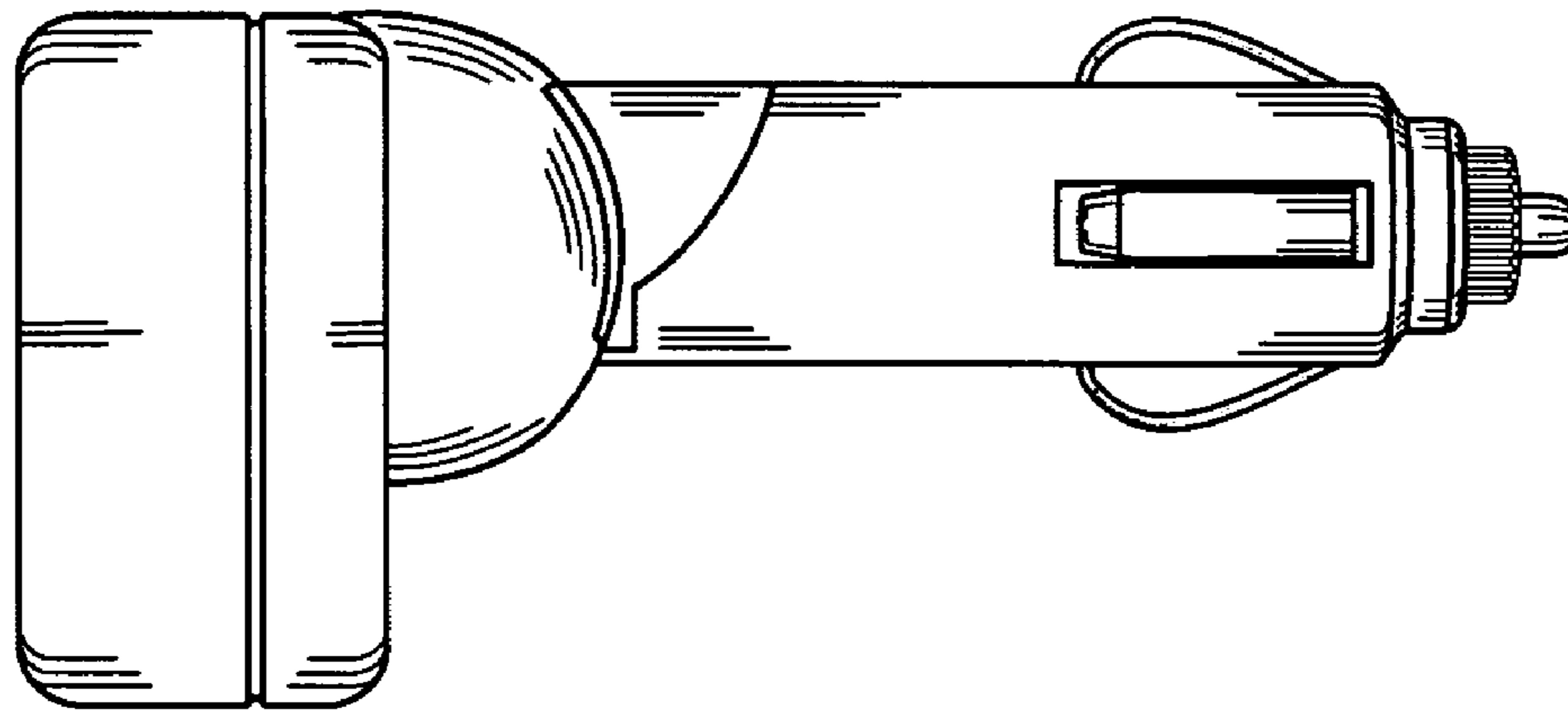


FIG. 7

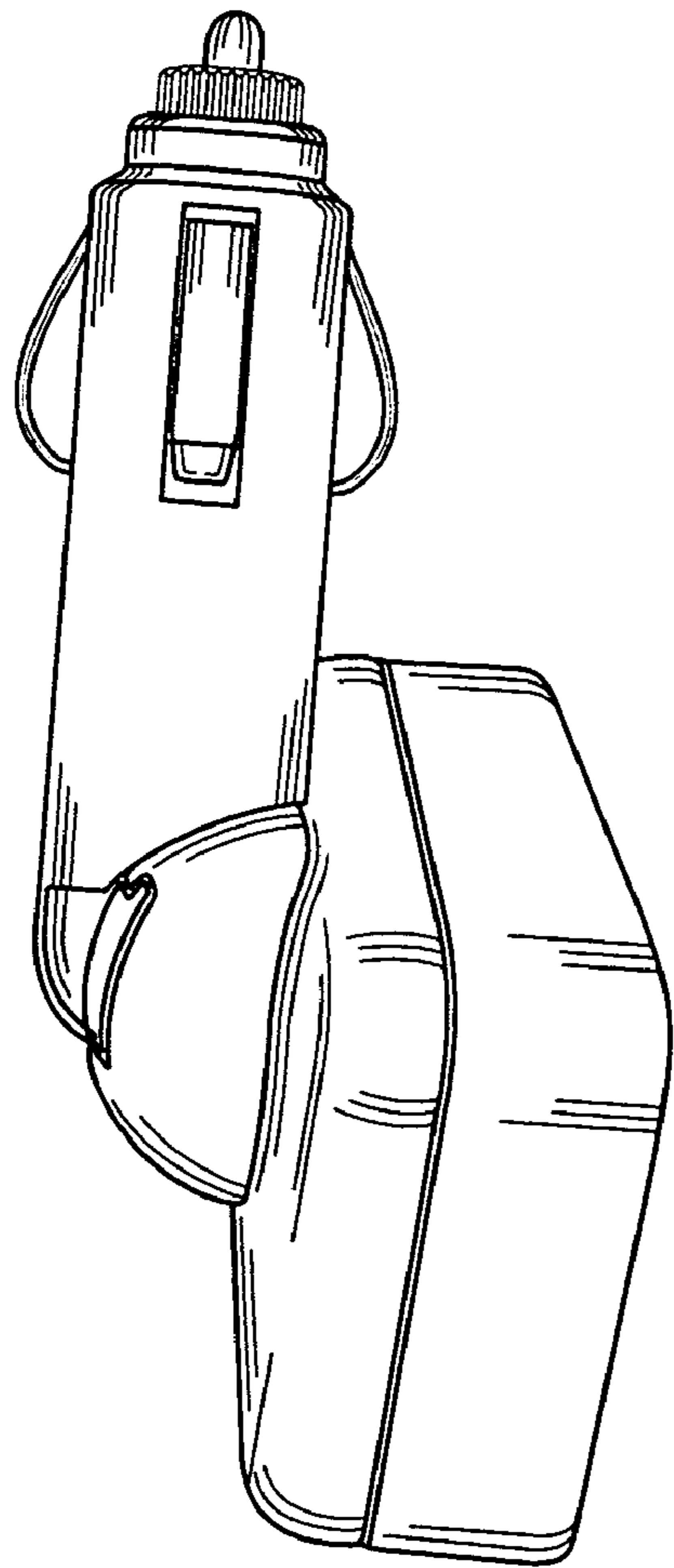


FIG. 8

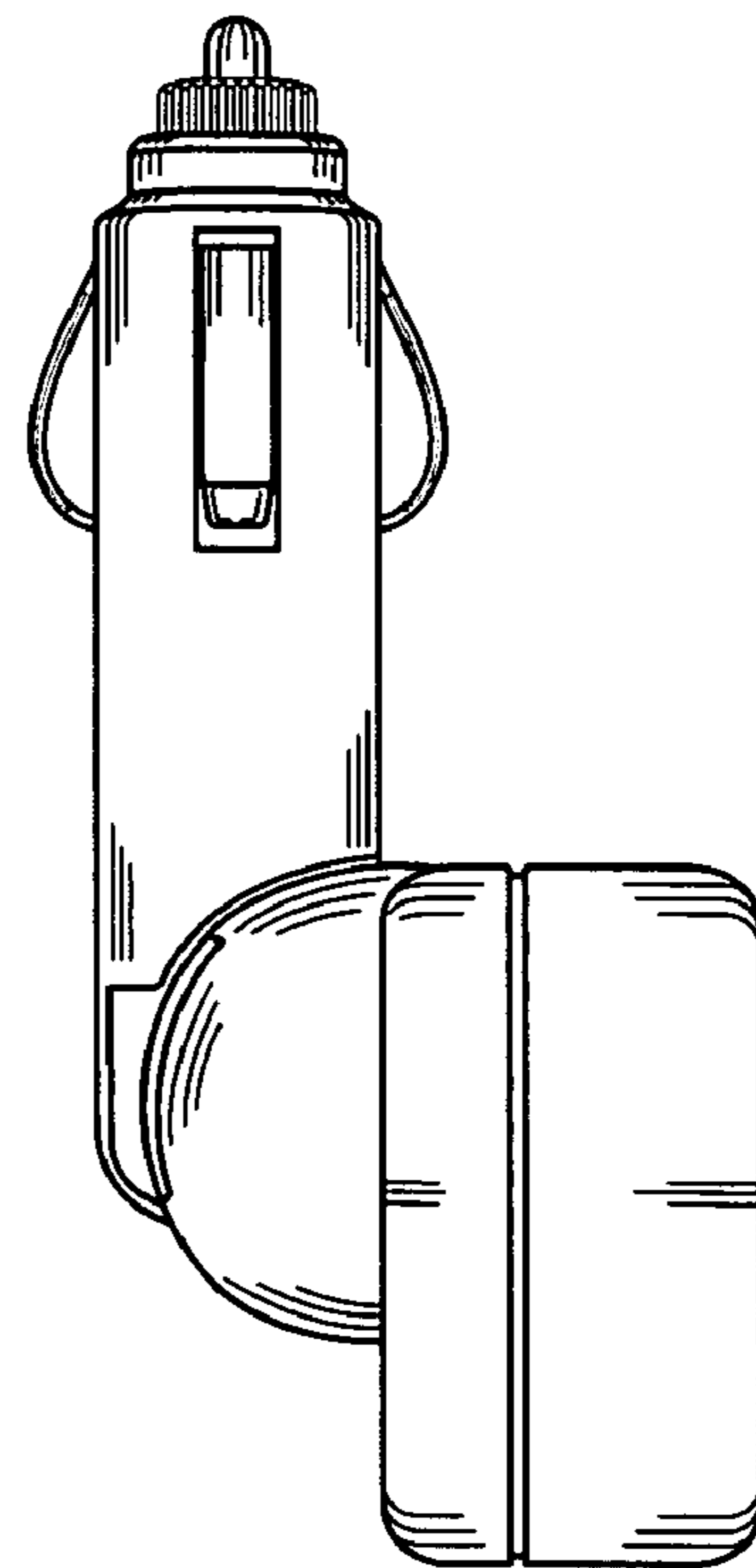


FIG. 9

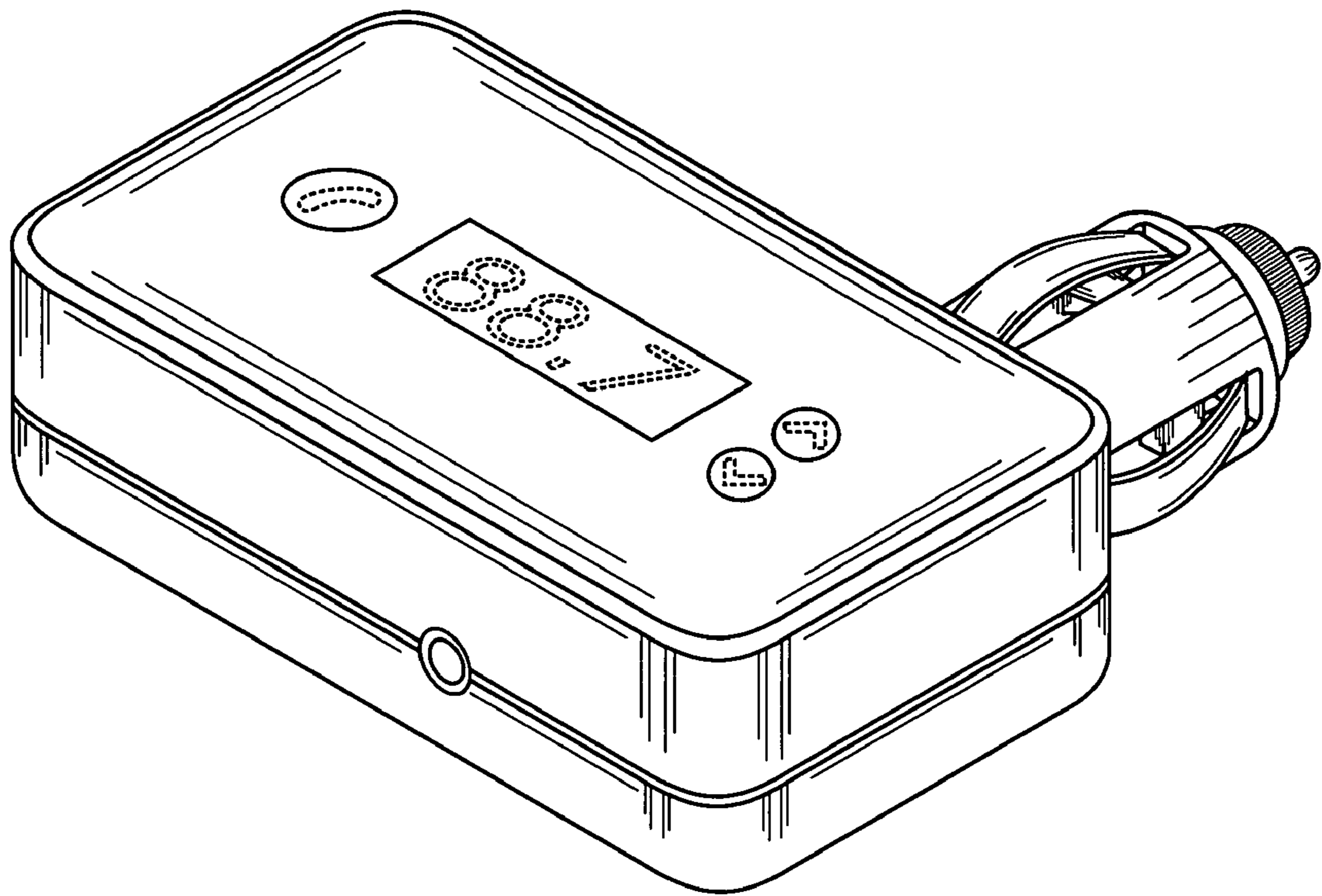


FIG. 10