



US00D573572S

(12) **United States Design Patent**
Kim et al.

(10) **Patent No.:** **US D573,572 S**
(45) **Date of Patent:** **** Jul. 22, 2008**

(54) **CELLULAR PHONE**

(75) Inventors: **Yu-Guen Kim**, Gumi-si (KR);
Hyun-Seop Kim, Seoul (KR);
Chang-Soo Lee, Incheon-si (KR)

(73) Assignee: **Samsung Electronics Co., Ltd.**,
Suwon-si (KR)

(**) Term: **14 Years**

(21) Appl. No.: **29/287,862**

(22) Filed: **Sep. 27, 2007**

(51) **LOC (8) Cl.** **14-03**

(52) **U.S. Cl.** **D14/138**

(58) **Field of Classification Search** D14/138,
D14/496, 341-347; 455/575.3, 575.1; D21/517
See application file for complete search history.

(56) **References Cited**

U.S. PATENT DOCUMENTS

D468,736 S *	1/2003	Loh et al.	D14/345
D488,454 S *	4/2004	Lee	D14/138
D499,390 S *	12/2004	Cho	D14/138
D508,684 S *	8/2005	Lee et al.	D14/138
7,089,040 B2 *	8/2006	Iwabuchi et al.	455/566
D543,172 S *	5/2007	Lee et al.	D14/138
D543,965 S *	6/2007	Lee et al.	D14/138
D556,166 S *	11/2007	Lee et al.	D14/138
D556,721 S *	12/2007	Lee	D14/138
D558,711 S *	1/2008	Moon et al.	D14/138
D558,712 S *	1/2008	Kim et al.	D14/138
D558,722 S *	1/2008	Kim et al.	D14/138
D560,187 S *	1/2008	Kim et al.	D14/138
D560,198 S *	1/2008	Kim et al.	D14/138
D560,638 S *	1/2008	Kim et al.	D14/138
D560,639 S *	1/2008	Kim et al.	D14/138
D560,640 S *	1/2008	Suk et al.	D14/138
D561,150 S *	2/2008	Kim et al.	D14/138
D561,151 S *	2/2008	Kim et al.	D14/138
D561,718 S *	2/2008	Kim et al.	D14/138

D561,726 S * 2/2008 Hong et al. D14/138
2007/0026909 A1 * 2/2007 Jung et al. 455/575.3

OTHER PUBLICATIONS

Samsung D830 telephone, announced Jun. 2006, [online], [retrieved on Aug. 15, 2007]. Retrieved from Internet, <URL:http://www.gsmarena.com>.*

Samsung Z620 telephone, announced Aug. 2006, [online], [retrieved on Aug. 15, 2007]. Retrieved from Internet, <URL:http://www.gsmarena.com>.*

Samsung C400 telephone, announced Sep. 2006, [online], [retrieved on Aug. 15, 2007]. Retrieved from Internet, <URL:http://www.gsmarena.com>.*

Samsung U300 telephone, announced Feb. 2007, [online], [retrieved on Aug. 15, 2007]. Retrieved from Internet, <URL:http://www.gsmarena.com>.*

* cited by examiner

Primary Examiner—Jeffrey D Asch

(74) *Attorney, Agent, or Firm*—Staas & Halsey LLP

(57) **CLAIM**

The ornamental design for a cellular phone, as shown and described.

DESCRIPTION

FIG. 1 is a perspective view of a cellular phone according to our new design;

FIG. 2 is a front elevational view thereof;

FIG. 3 is a rear elevational view thereof;

FIG. 4 is a left side elevational view thereof;

FIG. 5 is a right side elevational view thereof;

FIG. 6 is a top plan view thereof;

FIG. 7 is a bottom plan view thereof; and,

FIG. 8 is a front elevational view of the cellular phone according to our new design in a state in which the cellular phone is open.

1 Claim, 8 Drawing Sheets

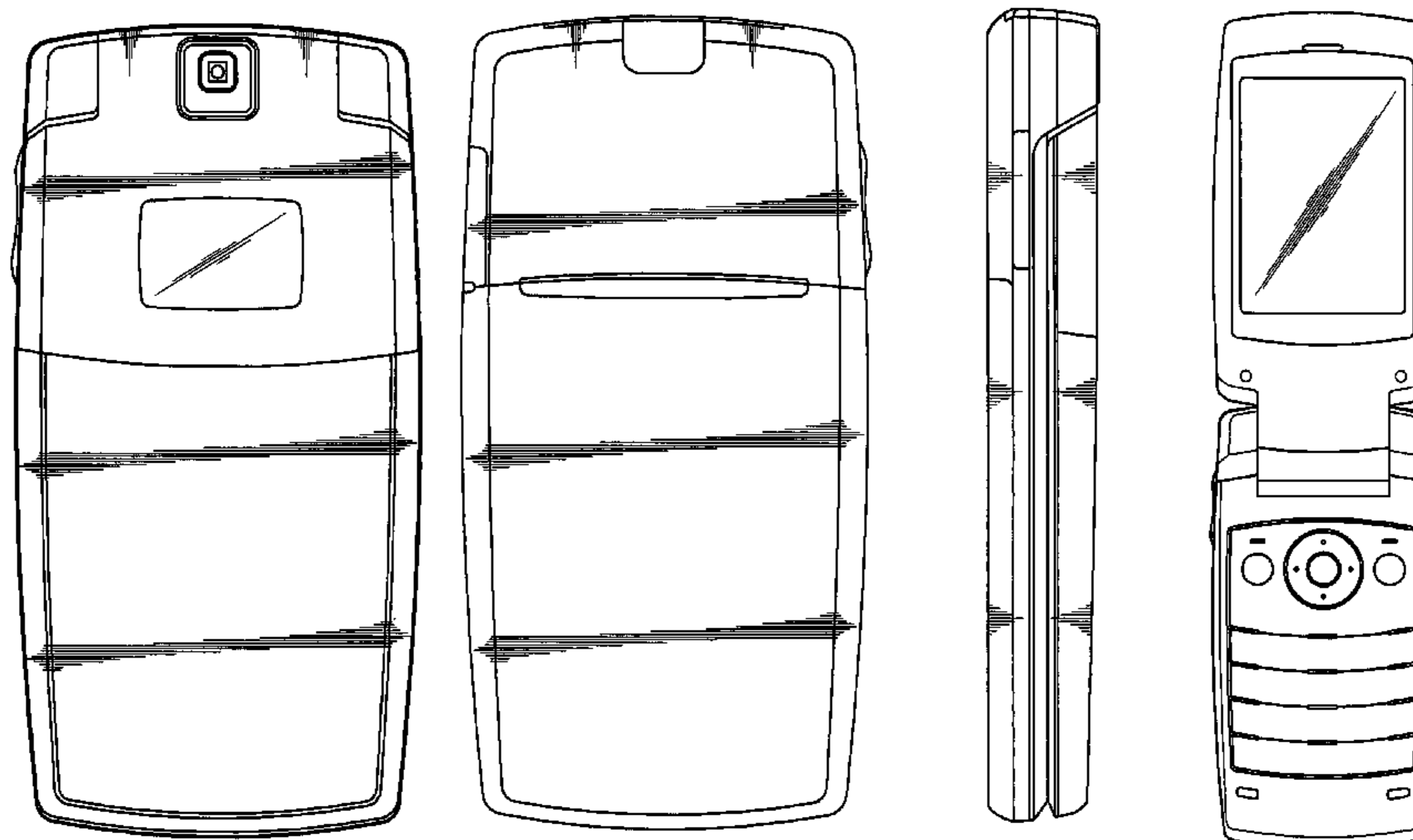


FIG.1

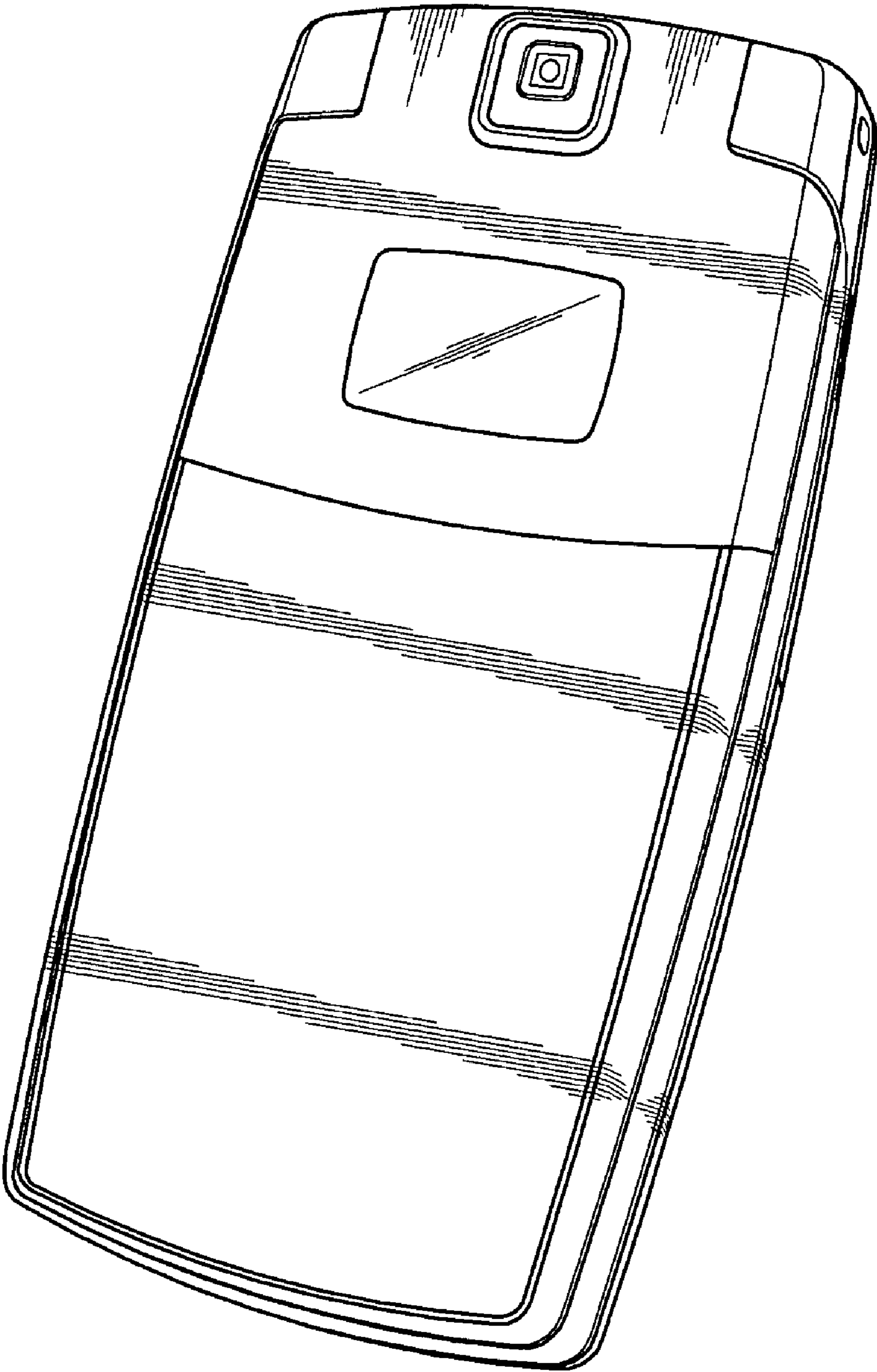


FIG.2

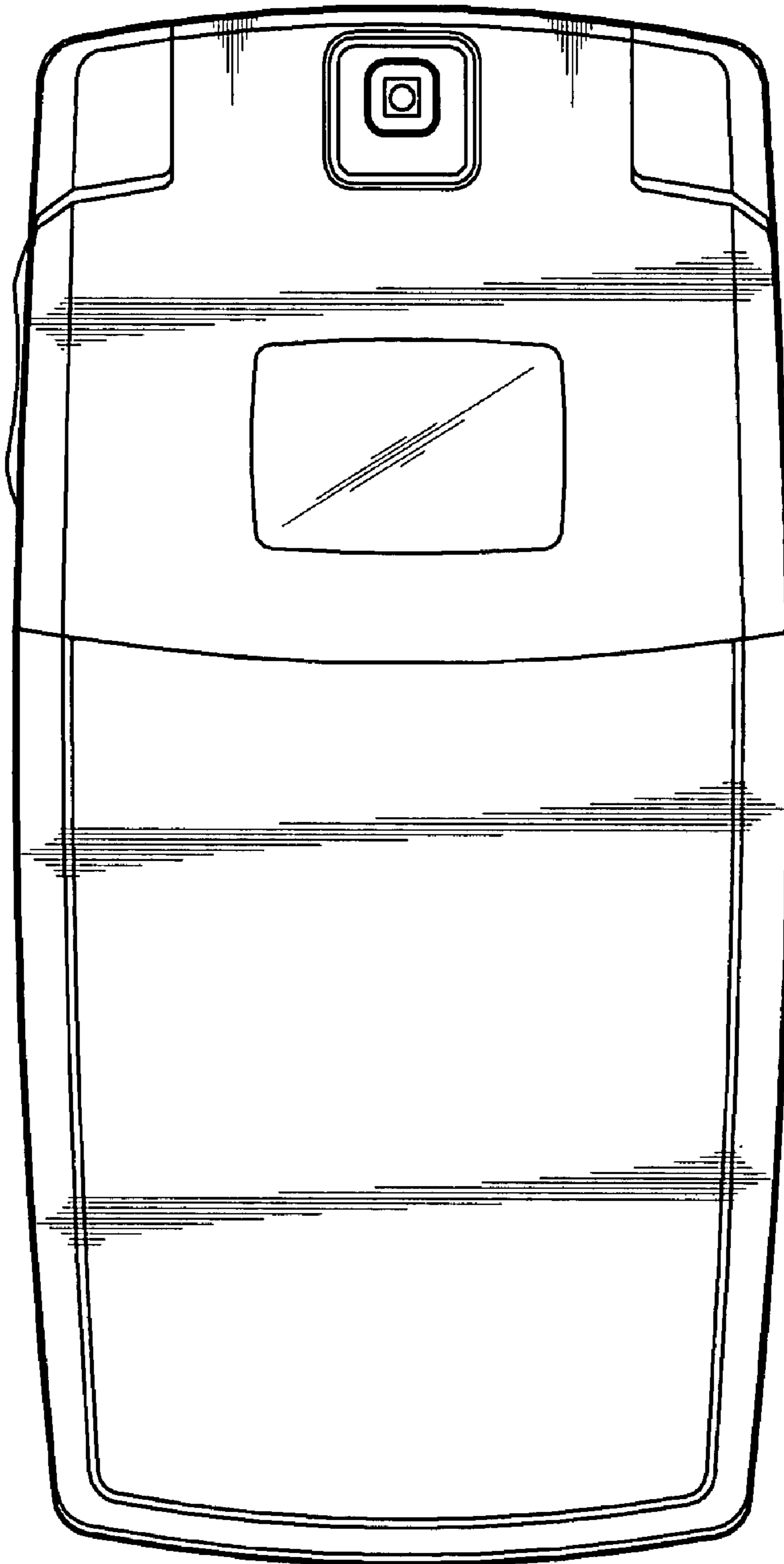


FIG.3

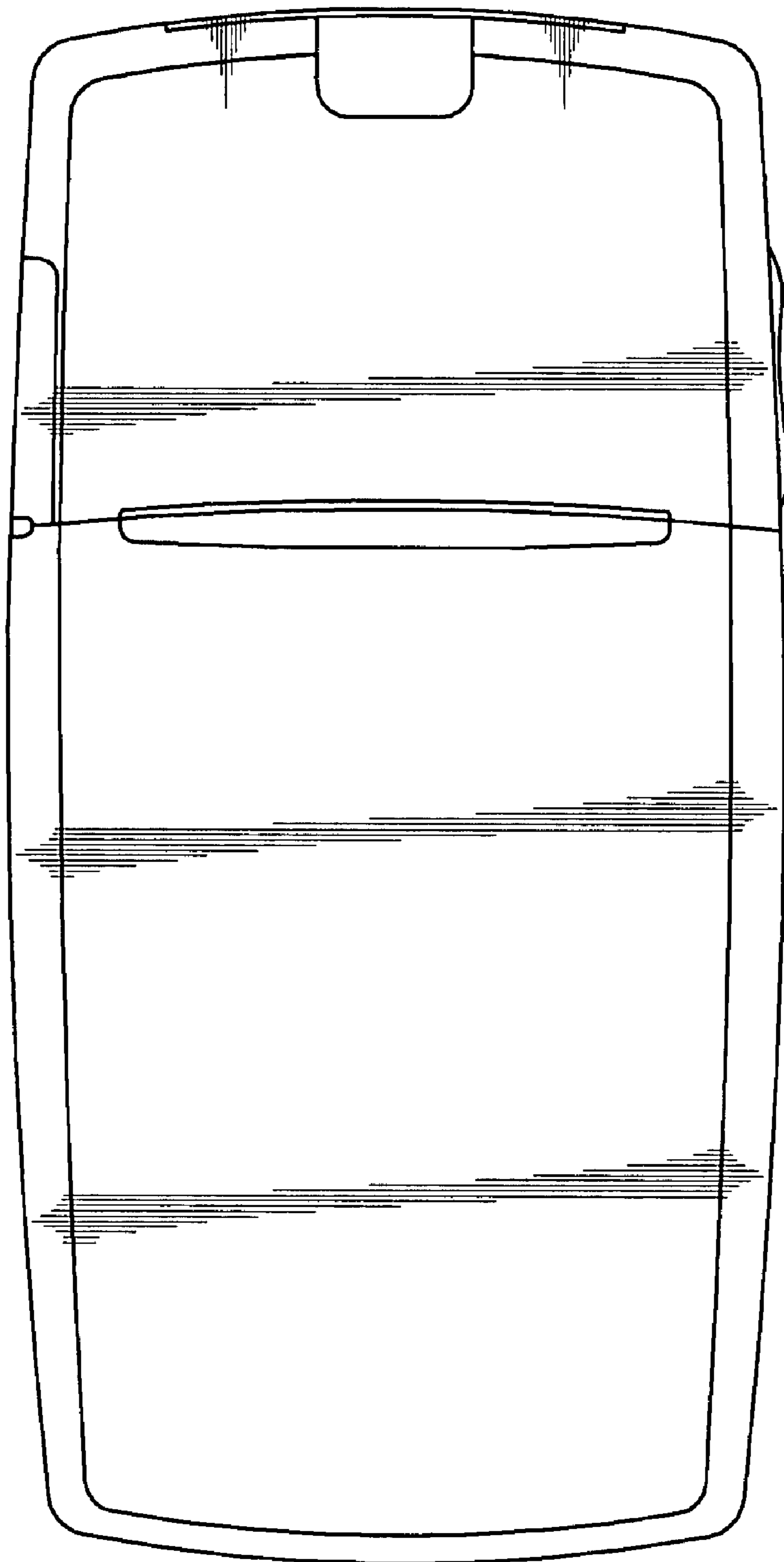


FIG.4

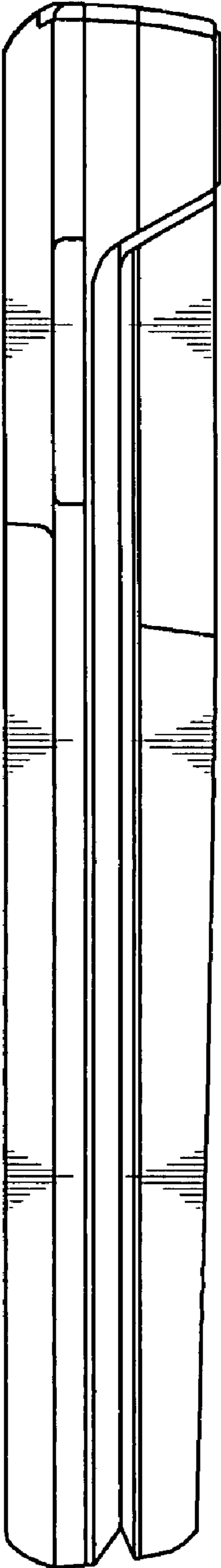


FIG.5

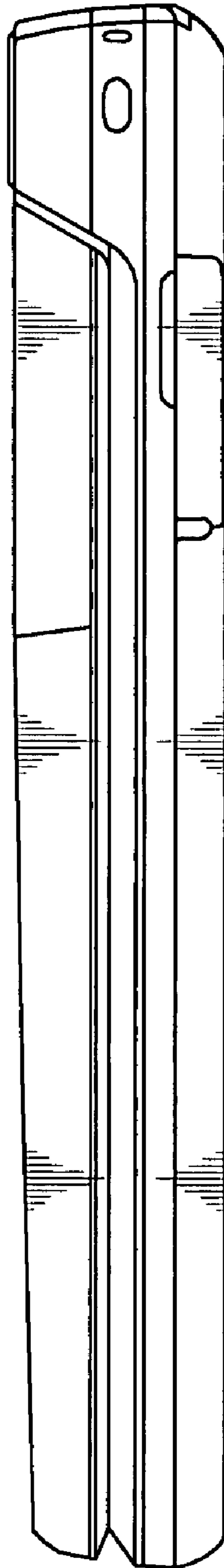


FIG. 6

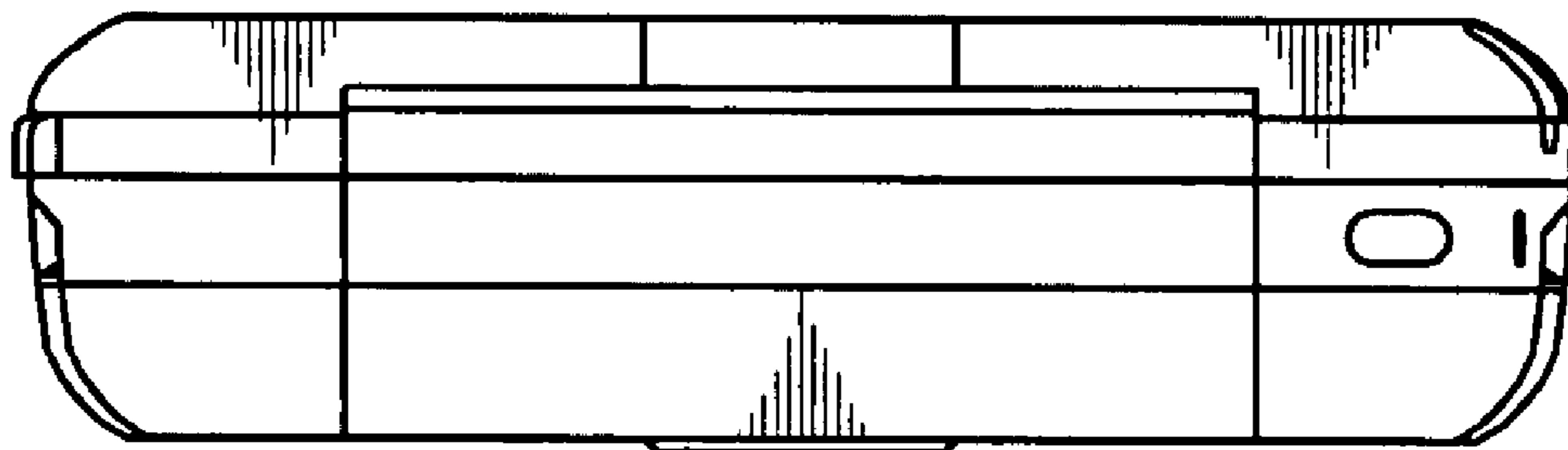


FIG. 7

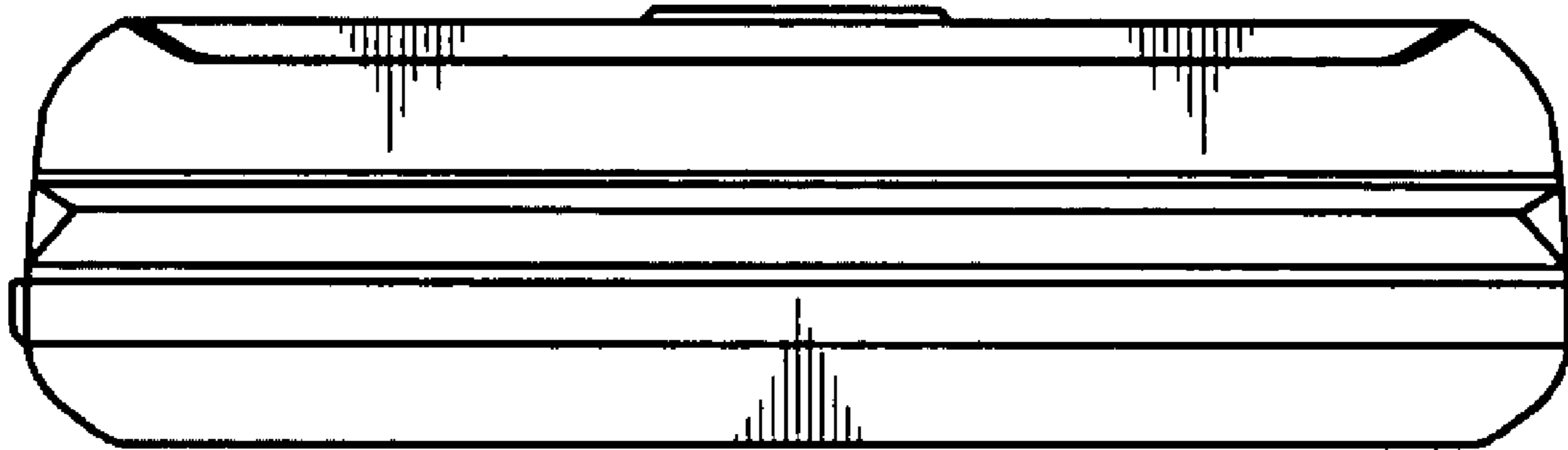


FIG. 8

