



US00D573568S

(12) **United States Design Patent**
Moon et al.

(10) **Patent No.:** **US D573,568 S**
(45) **Date of Patent:** **** Jul. 22, 2008**

(54) **PORTABLE PHONE**

(75) Inventors: **Ji-Hyun Moon**, Daegu (KR); **Beom-Ku Han**, Seoul (KR); **Chang-Hwan Hwang**, Goyang-Si (KR)

(73) Assignee: **Samsung Electronics Co., Ltd.**, Suwon-Si (KR)

(**) Term: **14 Years**

(21) Appl. No.: **29/264,344**

(22) Filed: **Aug. 9, 2006**

(30) **Foreign Application Priority Data**

Feb. 10, 2006 (KR) 30-2006-0005172

(51) **LOC (8) Cl.** **14-03**

(52) **U.S. Cl.** **D14/138**

(58) **Field of Classification Search** D14/137,
D14/138, 147, 218, 247-248, 341-347; 455/556.1,
455/566, 575.1, 575.3

See application file for complete search history.

(56) **References Cited**

U.S. PATENT DOCUMENTS

D408,030	S	*	4/1999	Richards et al.	D14/138
D484,478	S	*	12/2003	Kota et al.	D14/138
D486,462	S	*	2/2004	Lim	D14/138
D502,457	S	*	3/2005	Eigenstetter et al.	D14/138
D502,458	S	*	3/2005	Chung et al.	D14/138
D505,124	S	*	5/2005	Takada	D14/138
D508,034	S	*	8/2005	Liao	D14/138
D517,517	S	*	3/2006	Li et al.	D14/138
D518,464	S	*	4/2006	Lee et al.	D14/138
D519,482	S	*	4/2006	Lee et al.	D14/138
D535,273	S	*	1/2007	Baik et al.	D14/138
D538,249	S	*	3/2007	Katayama	D14/138
D545,794	S	*	7/2007	Nishimura	D14/138

D552,060	S	*	10/2007	Kim et al.	D14/138
D554,609	S	*	11/2007	Miake	D14/138
D555,125	S	*	11/2007	Horimoto	D14/138
D556,720	S	*	12/2007	Lee	D14/138
D557,232	S	*	12/2007	Lee	D14/138
2004/0033822	A1	*	2/2004	Itoh et al.	455/575.3
2006/0121961	A1	*	6/2006	Cho	455/575.3
2007/0087793	A1	*	4/2007	Noma et al.	455/575.3

OTHER PUBLICATIONS

NEC N820, announced 4th quarter 2003, [online], [retrieved on Feb. 29, 2008]. Retrieved from Internet ,<URL:http://www.gsmarena.com>.*

Sony Ericsson Z1010, announced 4th quarter 2003, [online], [retrieved on Feb. 29, 2008]. Retrieved from Internet ,<URL:http://www.gsmarena.com>.*

* cited by examiner

Primary Examiner—Jeffrey D. Asch

Assistant Examiner—Bridget L Eland

(74) *Attorney, Agent, or Firm*—Staas & Halsey LLP

(57) **CLAIM**

The ornamental design for the portable phone, as shown and described.

DESCRIPTION

FIG. 1 is a perspective view of the portable phone showing our design;

FIG. 2 is a front view thereof;

FIG. 3 is a rear view thereof;

FIG. 4 is a left side view thereof;

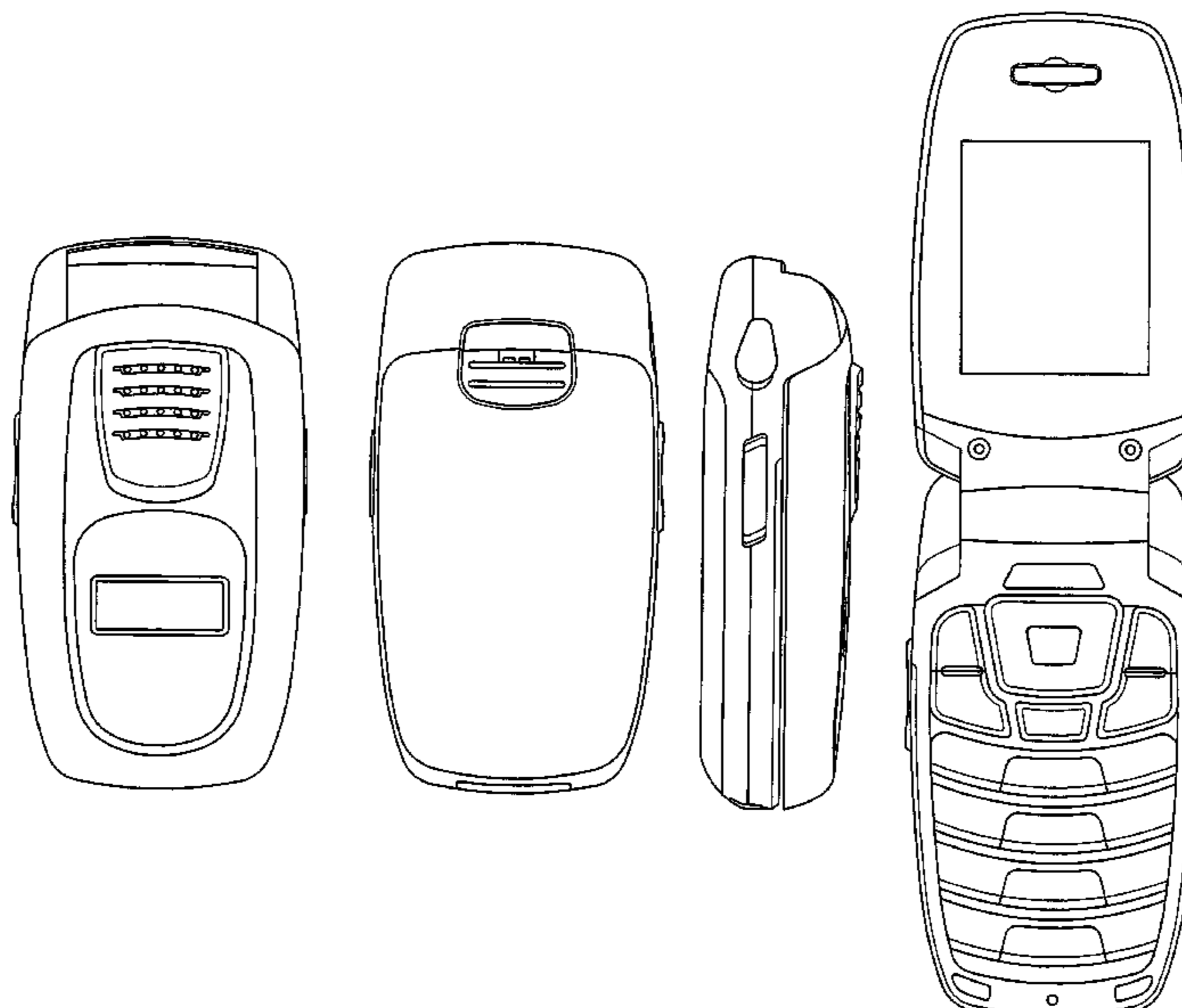
FIG. 5 is a right side view thereof;

FIG. 6 is a top plan view thereof;

FIG. 7 is a bottom plan view thereof; and,

FIG. 8 is a front, open view thereof.

1 Claim, 5 Drawing Sheets



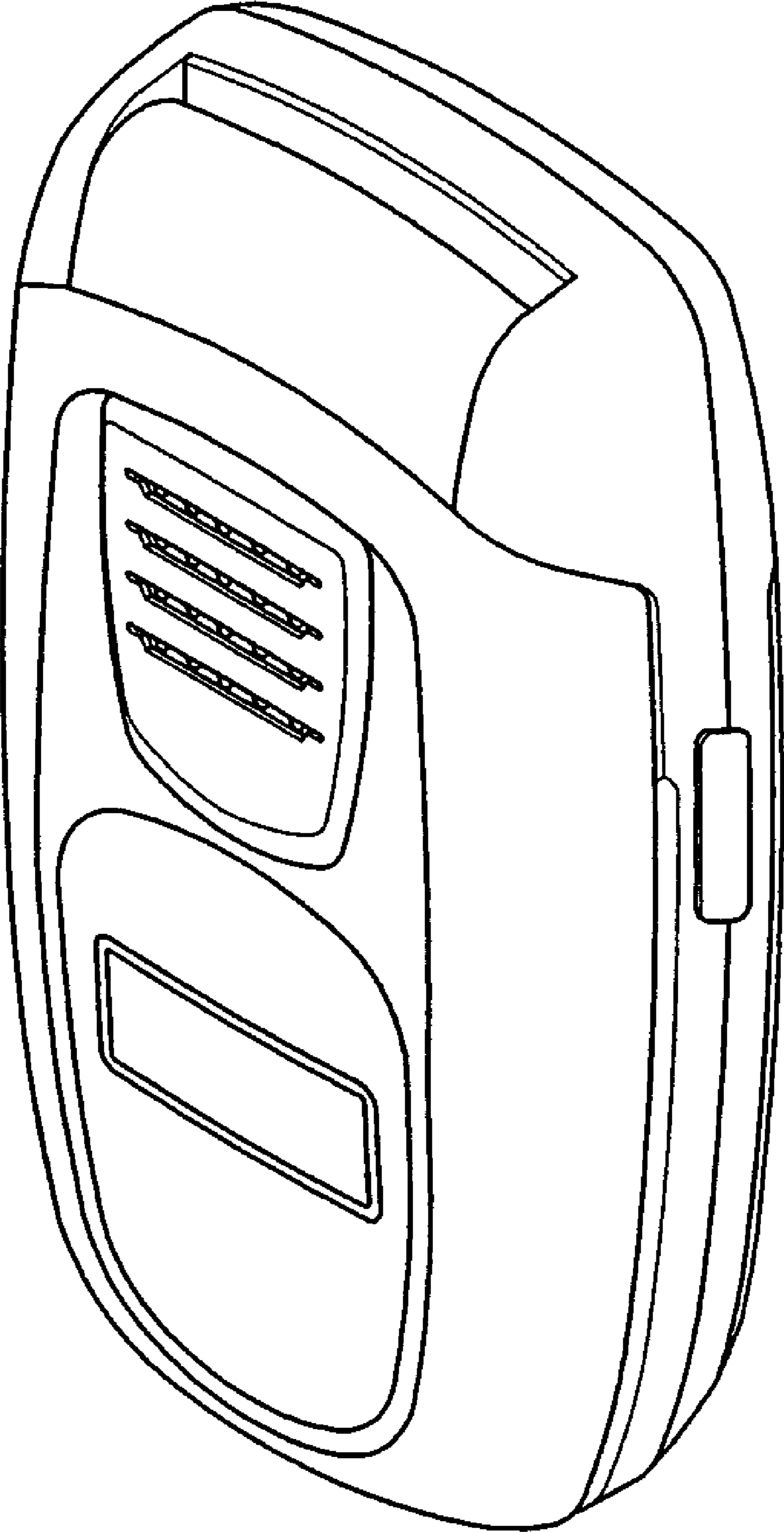


FIGURE 1

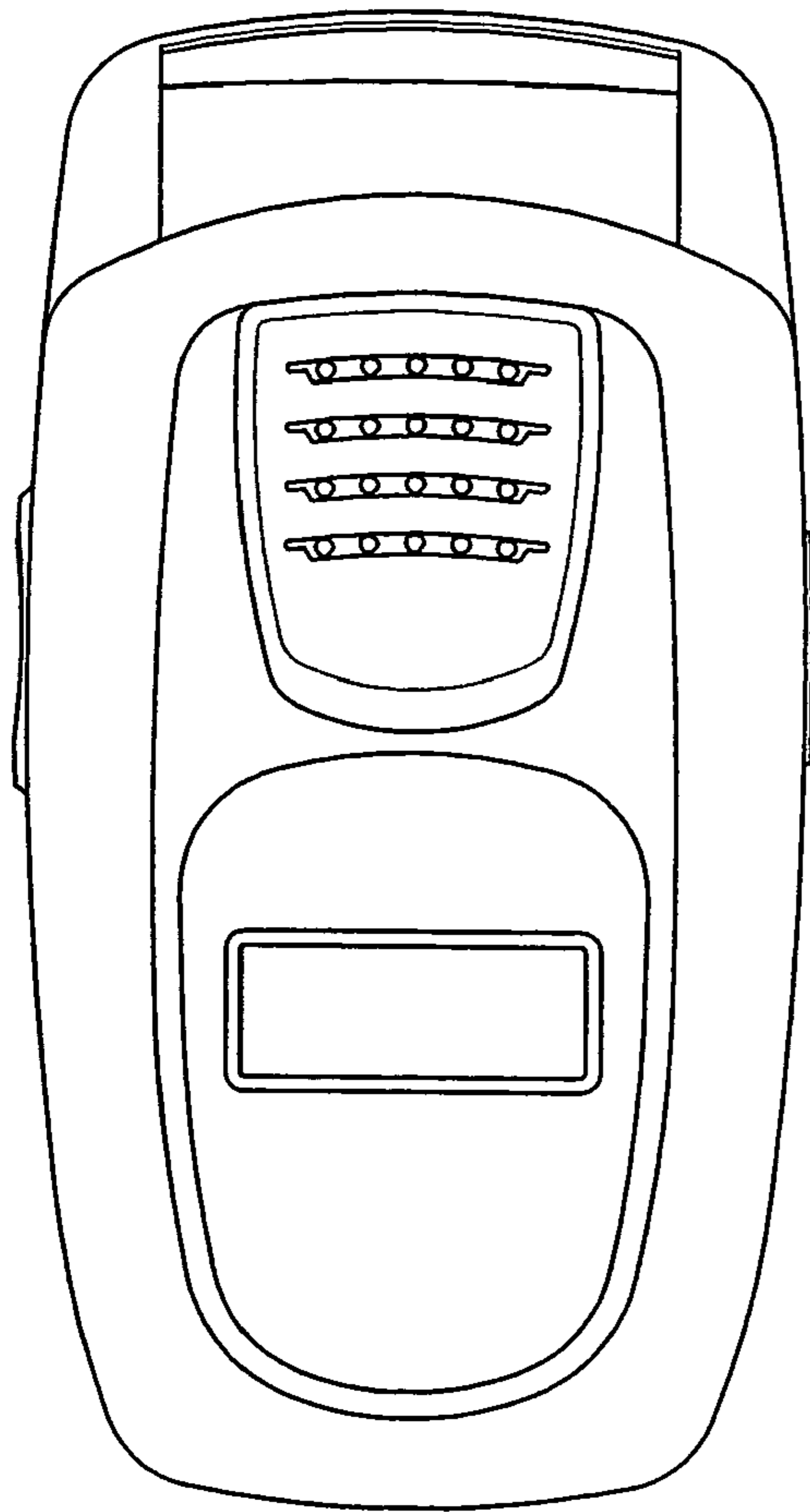


FIGURE 2

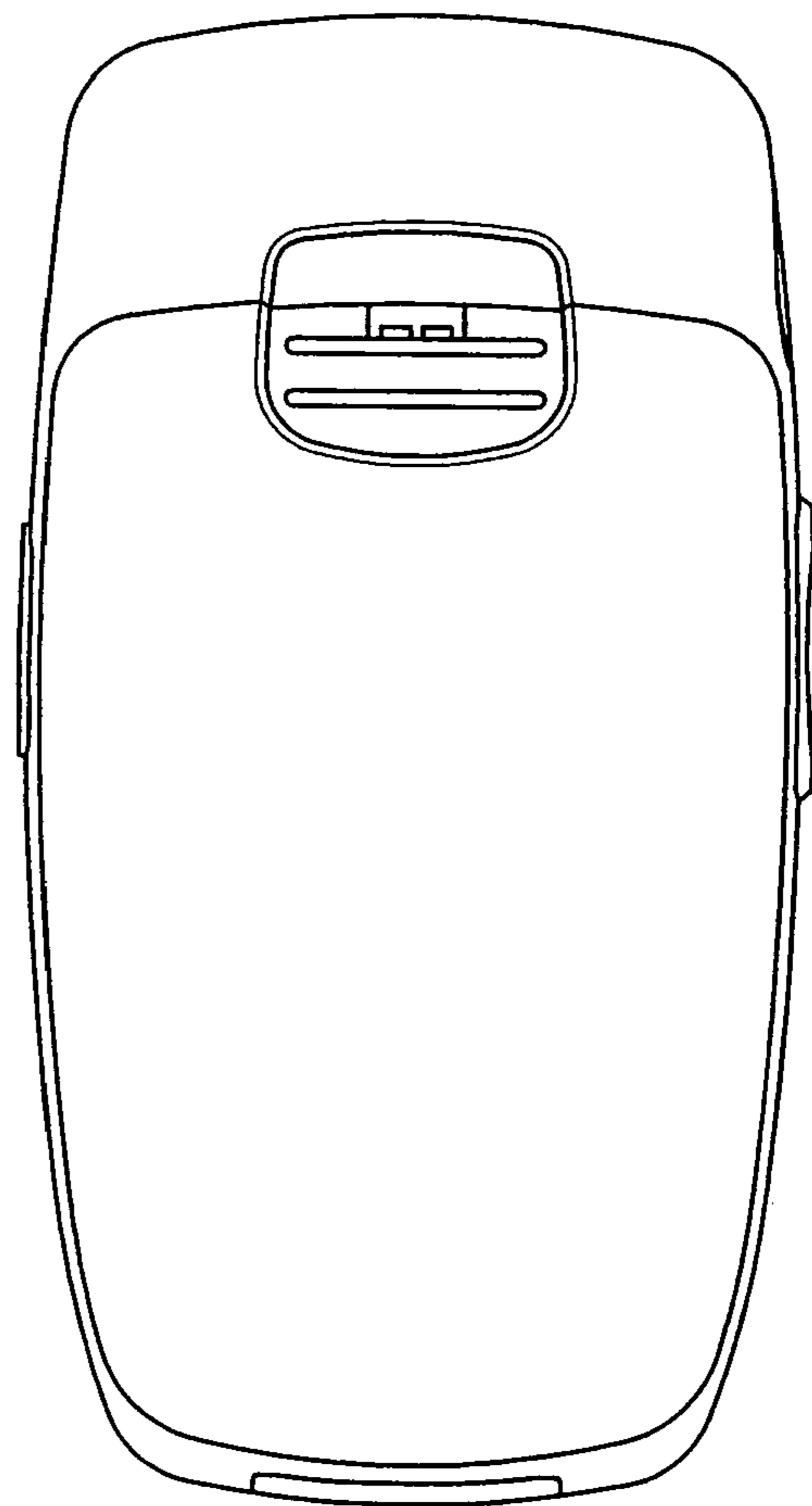


FIGURE 3

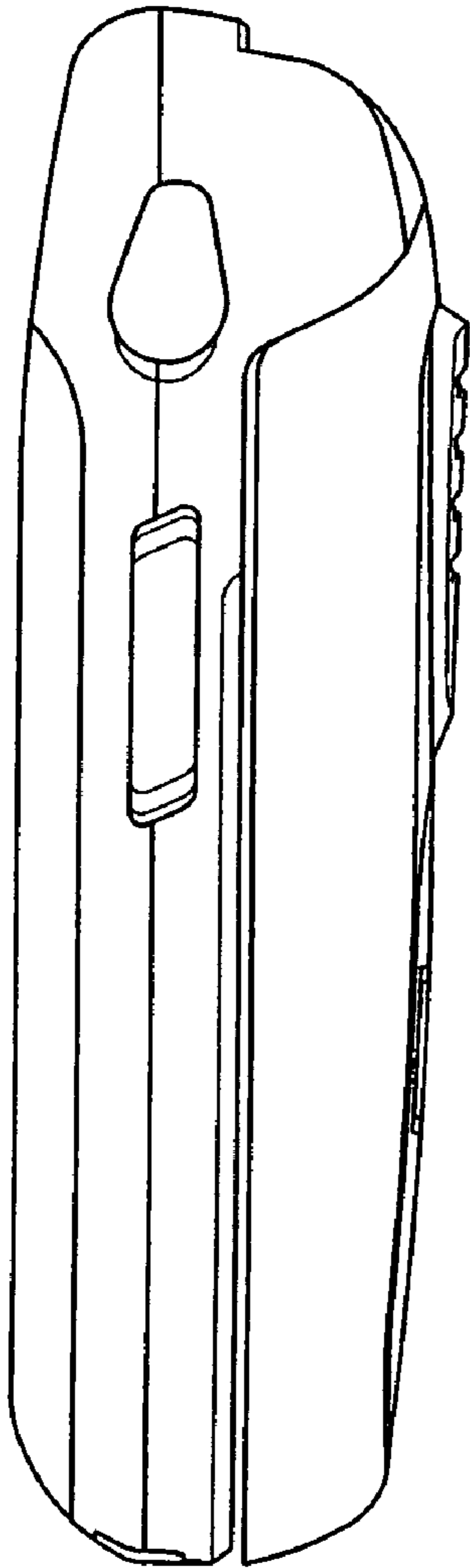


FIGURE 4

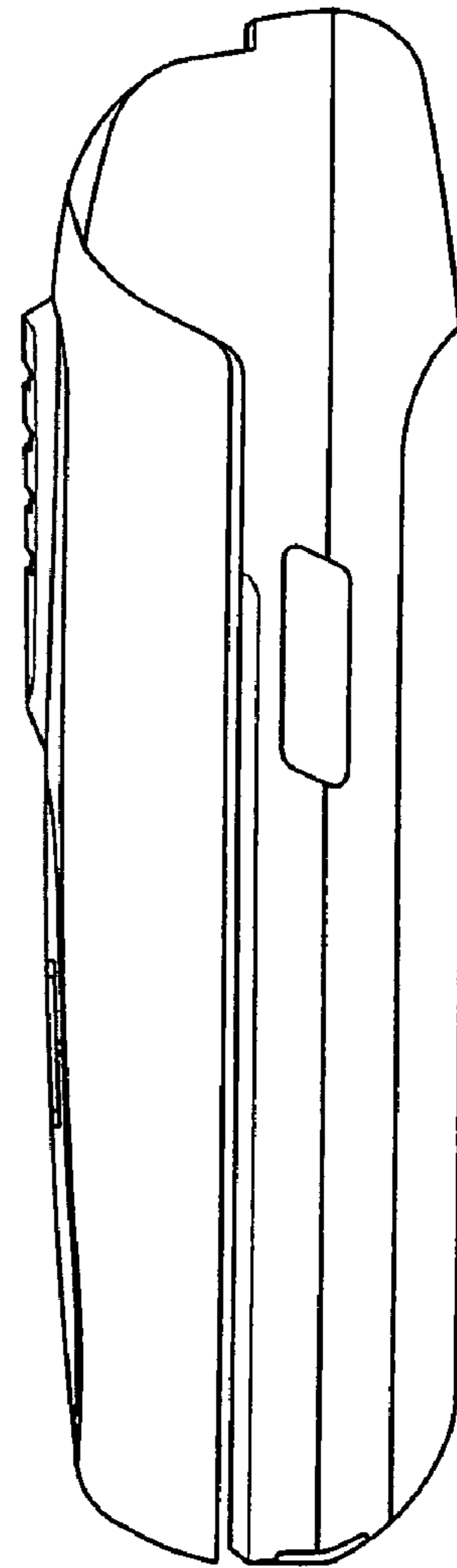


FIGURE 5

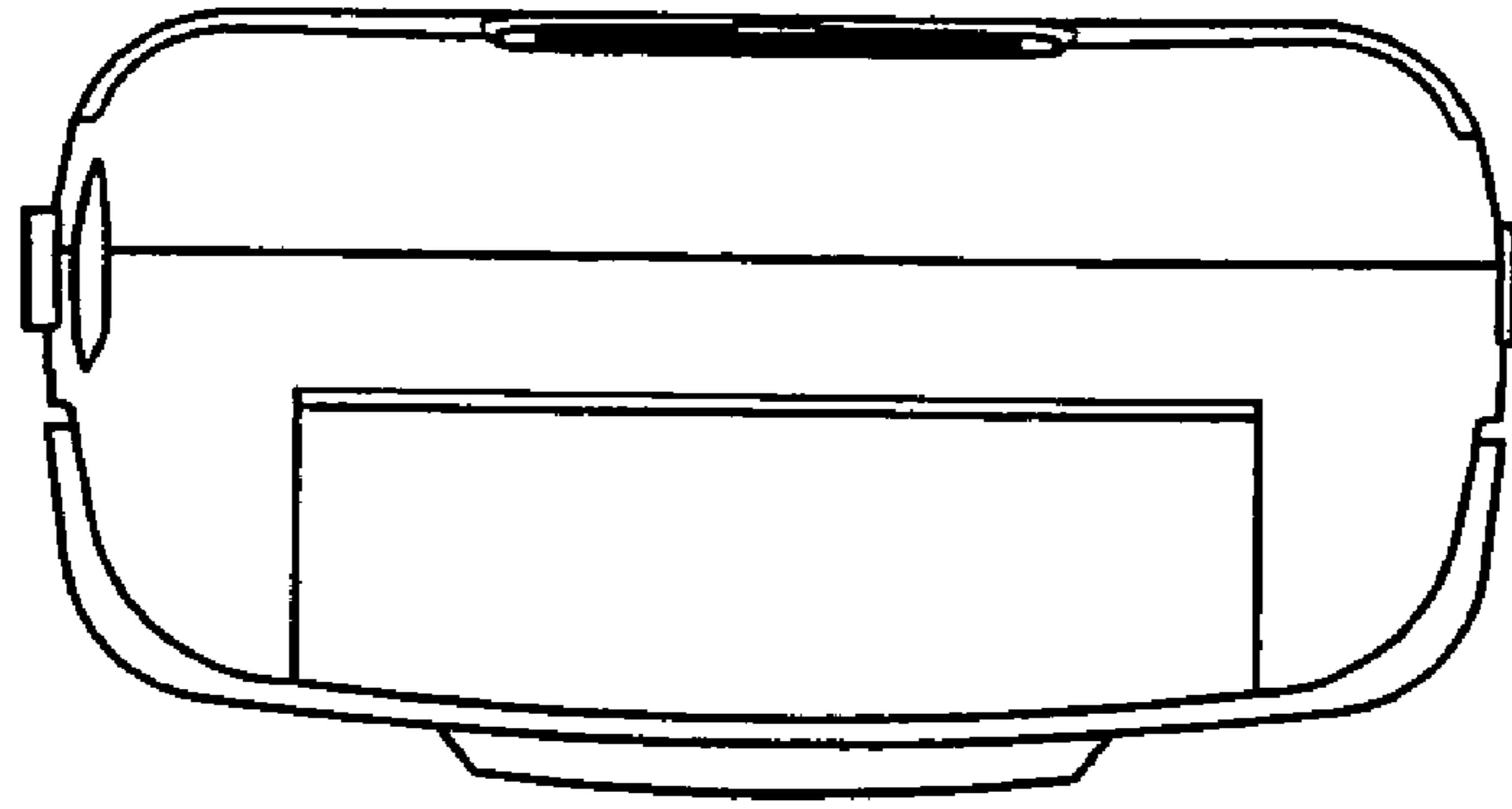


FIGURE 6

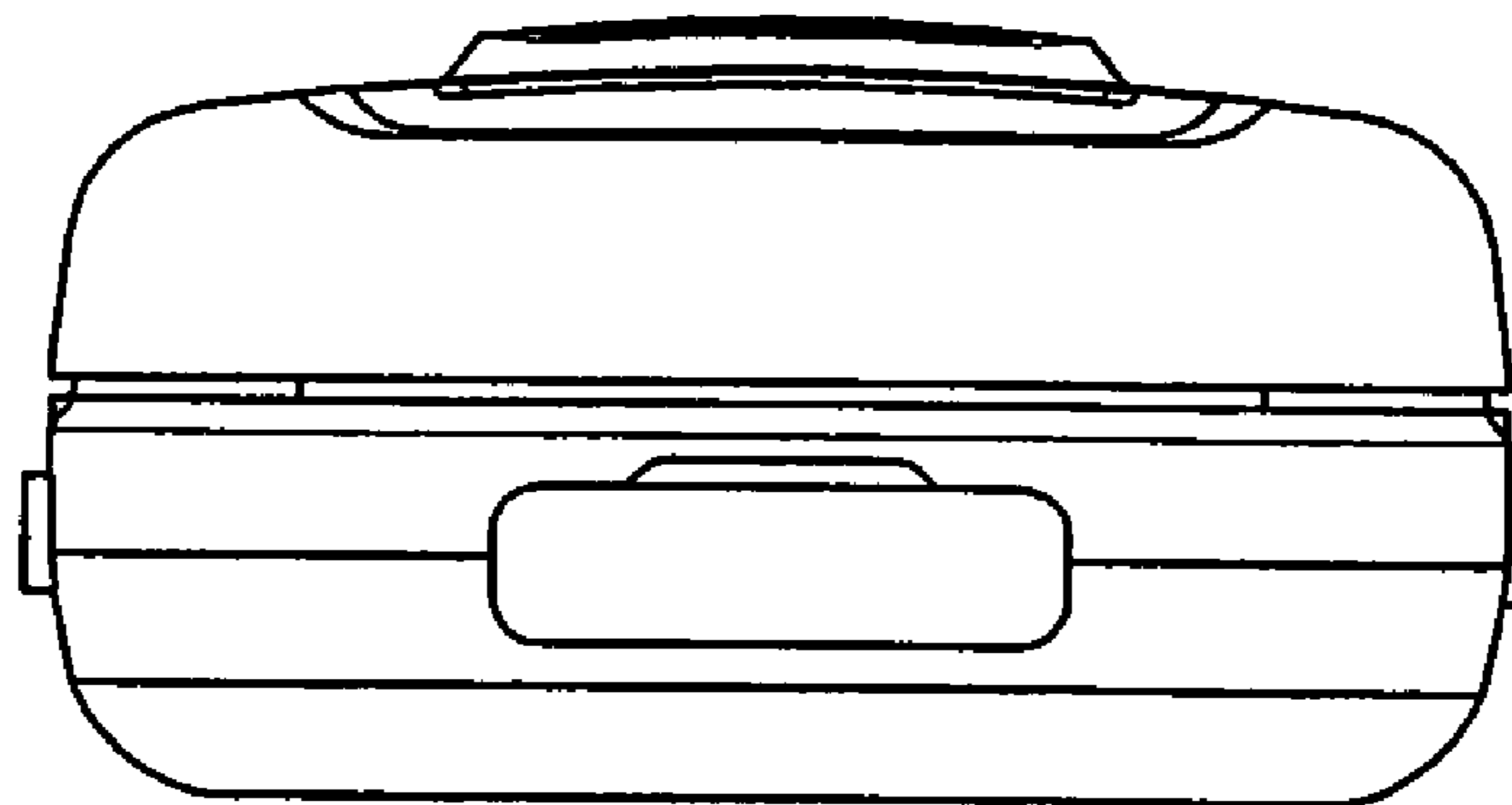


FIGURE 7

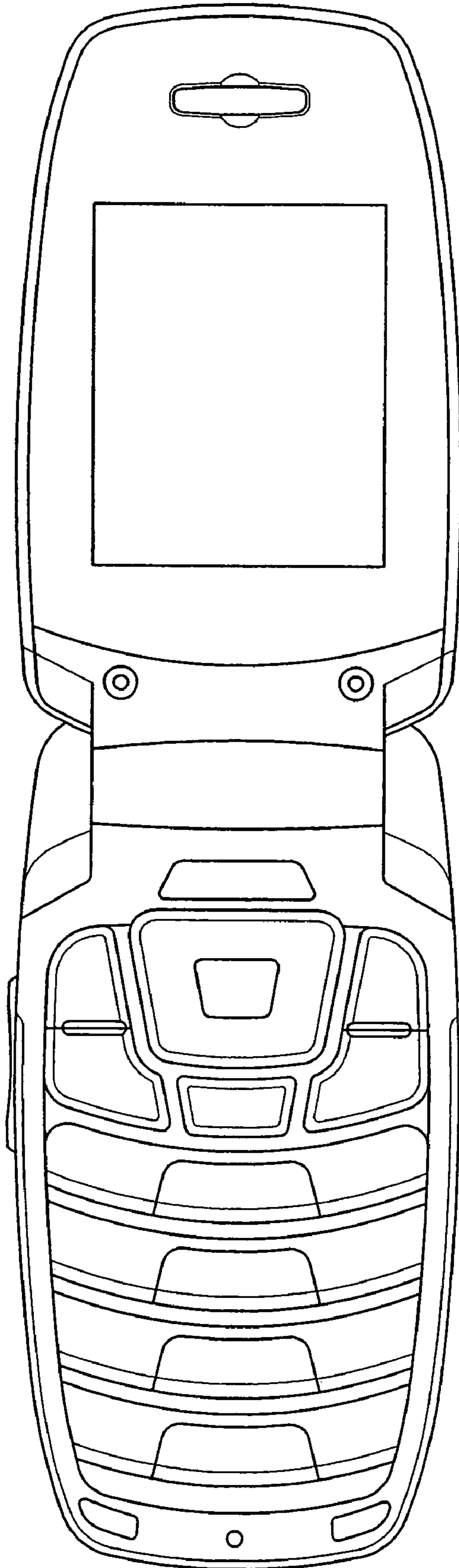


FIGURE 8