



US00D573565S

(12) **United States Design Patent**
Edwards

(10) **Patent No.:** **US D573,565 S**
(45) **Date of Patent:** **** Jul. 22, 2008**

(54) **PHONE**

2002/0065111 A1* 5/2002 Otsuka et al. 455/566

(75) Inventor: **Christopher Edwards**, Olathe, KS (US)

* cited by examiner

(73) Assignee: **Sprint Spectrum L.P.**, Overland Park, KS (US)

Primary Examiner—Ian Simmons
Assistant Examiner—Carla Jobe Wright

(**) Term: **14 Years**

(57) **CLAIM**

(21) Appl. No.: **29/230,084**

The ornamental design for a phone, as shown and described.

(22) Filed: **May 17, 2005**

DESCRIPTION

Related U.S. Application Data

(63) Continuation-in-part of application No. 10/980,592, filed on Nov. 3, 2004.

FIG. 1 is a perspective view of a first embodiment of a phone of the present design;

(51) **LOC (8) Cl.** **14-03**

FIG. 2 is a front view thereof;

(52) **U.S. Cl.** **D14/138; D14/140**

FIG. 3 is a rear view thereof;

(58) **Field of Classification Search** D14/137-138, D14/147-148, 156, 218, 247-248, 341-347, D14/496; D16/208; D21/329, 331, 333, D21/517; 348/14.01-14.02; 361/814; 379/433.01-433.13; 455/556.1-556.2, 575.1, 575.3, 575.4, 566, 455/90.3

FIG. 4 is a top view thereof;

FIG. 5 is a bottom view thereof;

FIG. 6 is a left side view thereof; and

FIG. 7 is a right side view thereof.

See application file for complete search history.

FIG. 8 is a perspective view of a second embodiment of a phone of the present design;

FIG. 9 is a front view thereof;

FIG. 10 is a rear view thereof;

FIG. 11 is a top view thereof;

FIG. 12 is a bottom view thereof;

FIG. 13 is a left side view thereof; and,

FIG. 14 is a right side view thereof.

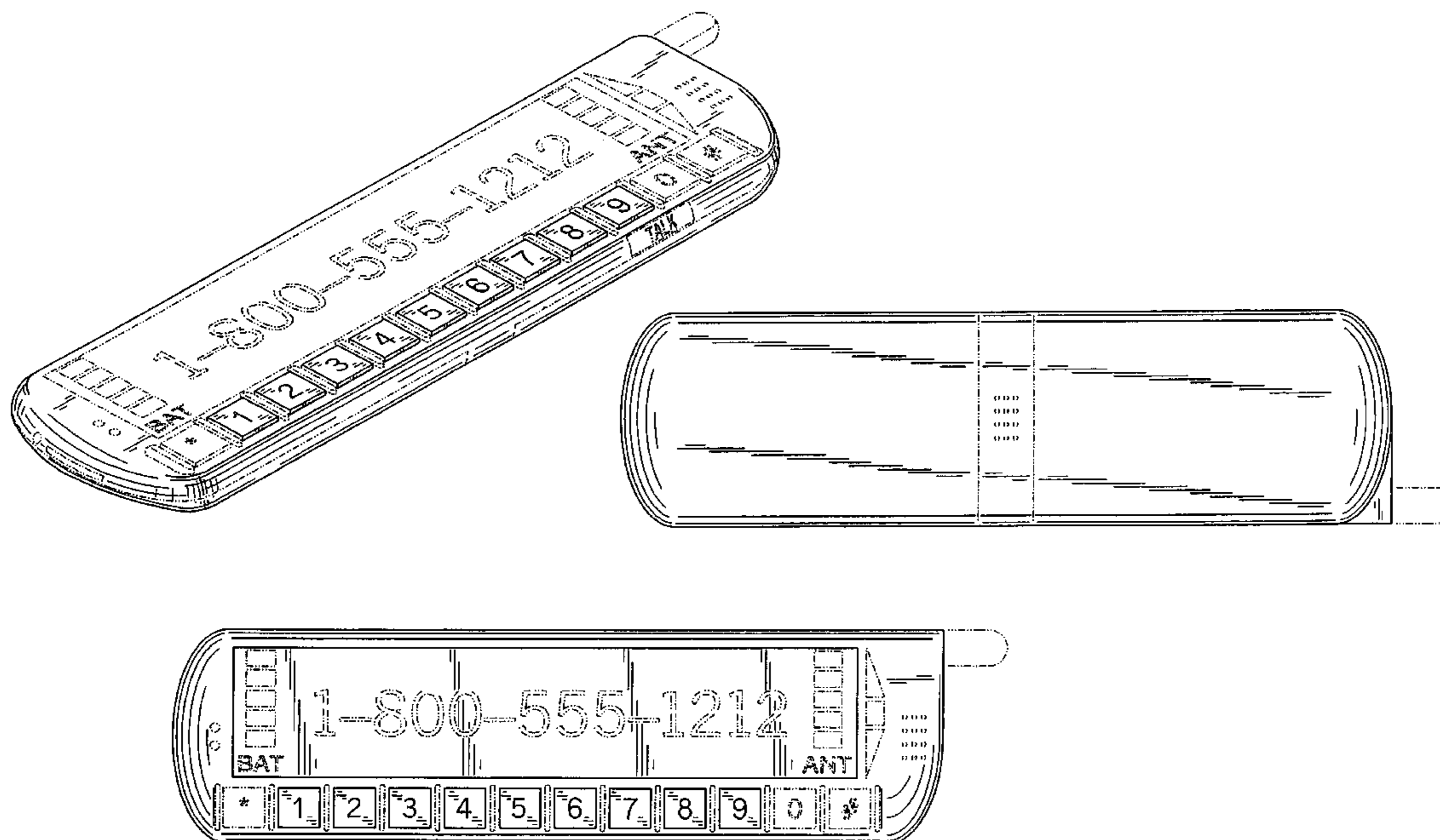
(56) **References Cited**

U.S. PATENT DOCUMENTS

D301,882 S *	6/1989	Watanabe	D14/140
D302,271 S *	7/1989	Watanabe	D14/140
4,875,229 A *	10/1989	Palett et al.	455/569.2
D317,762 S *	6/1991	Watanabe	D14/138
D389,838 S *	1/1998	Brunner et al.	D14/218
D438,854 S *	3/2001	Badoual	D14/138
D514,078 S *	1/2006	Rookard	D14/138
D520,988 S *	5/2006	Miller	D14/218

The broken line showing of environmental features is for illustrative purposes only and forms no part of the claimed design.

1 Claim, 6 Drawing Sheets



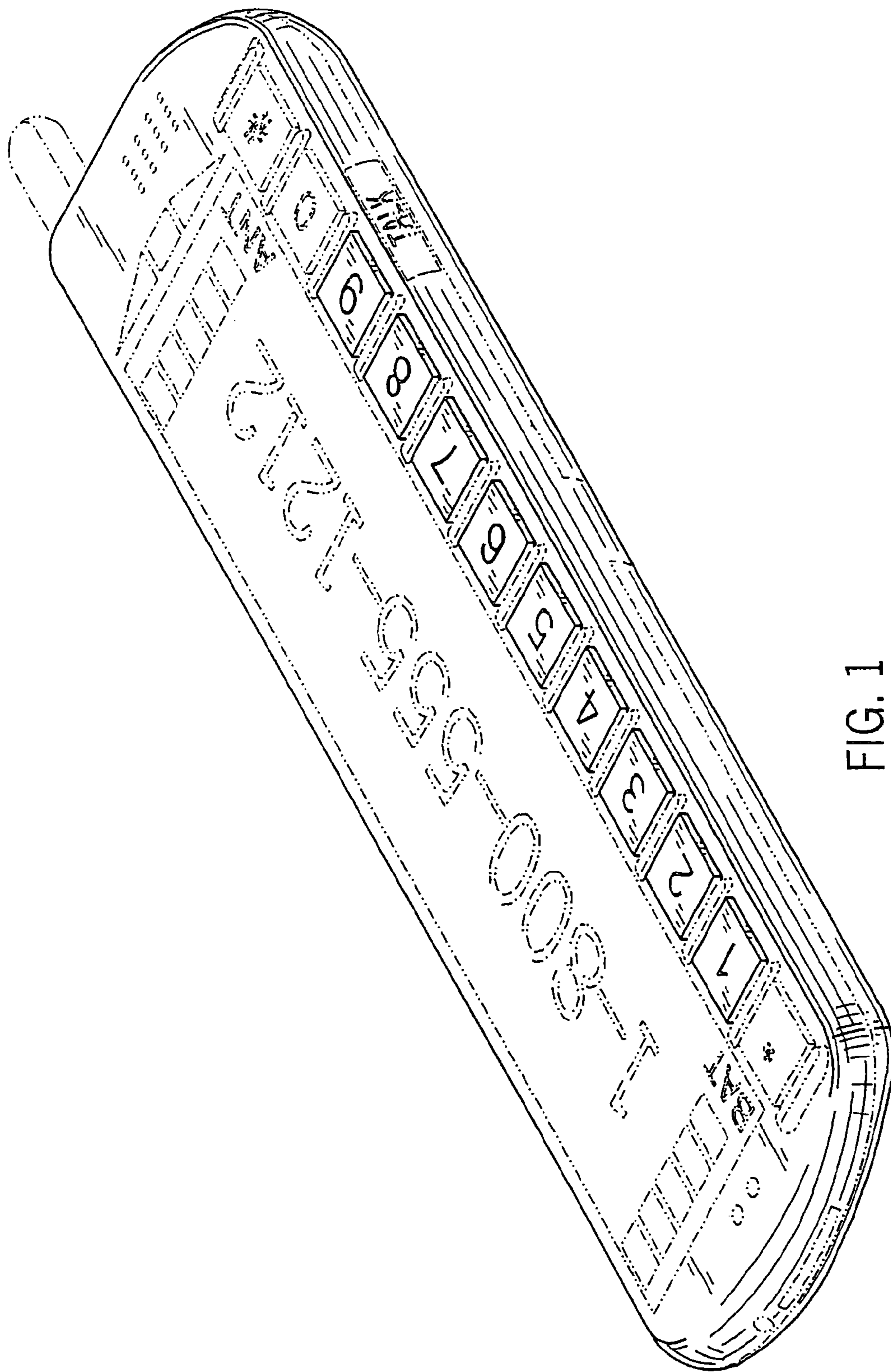


FIG. 1

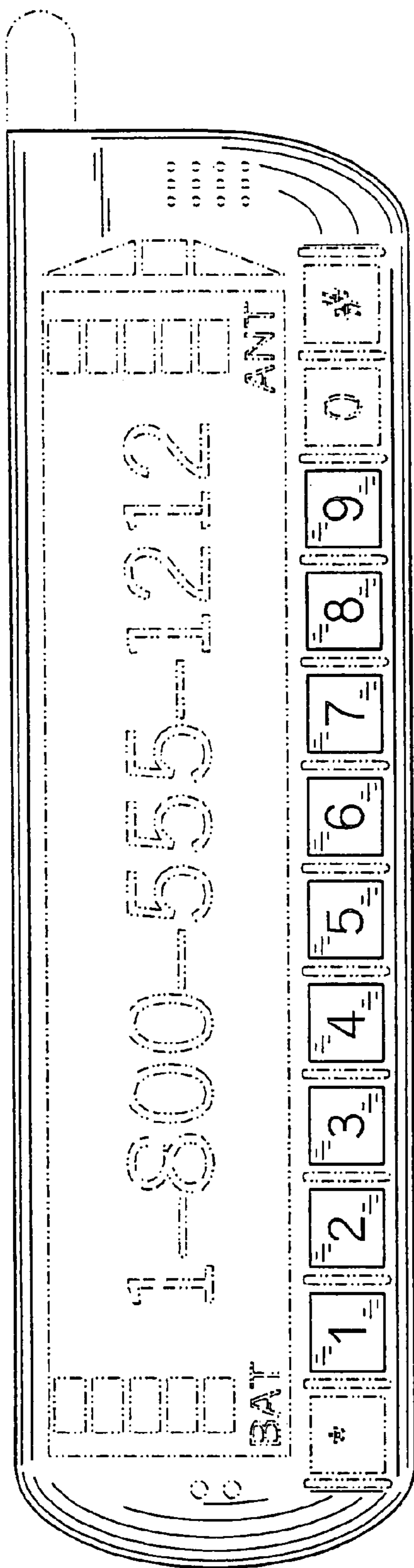


FIG. 2

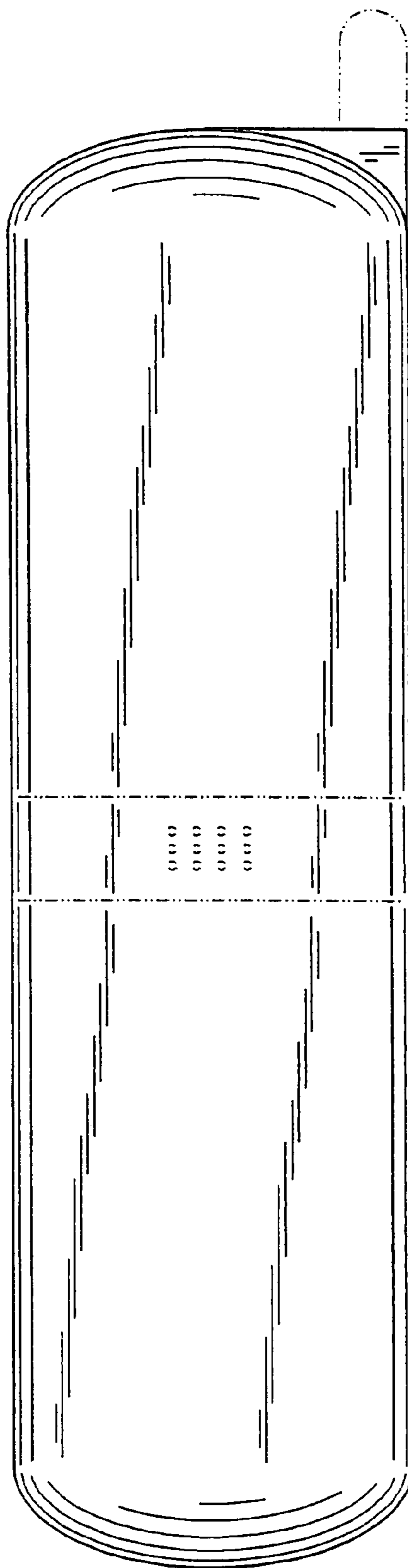


FIG. 3



FIG. 4



FIG. 5

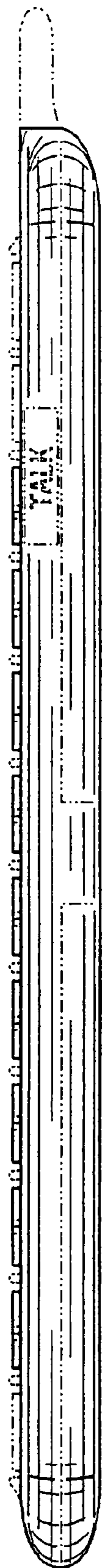


FIG. 6



FIG. 7

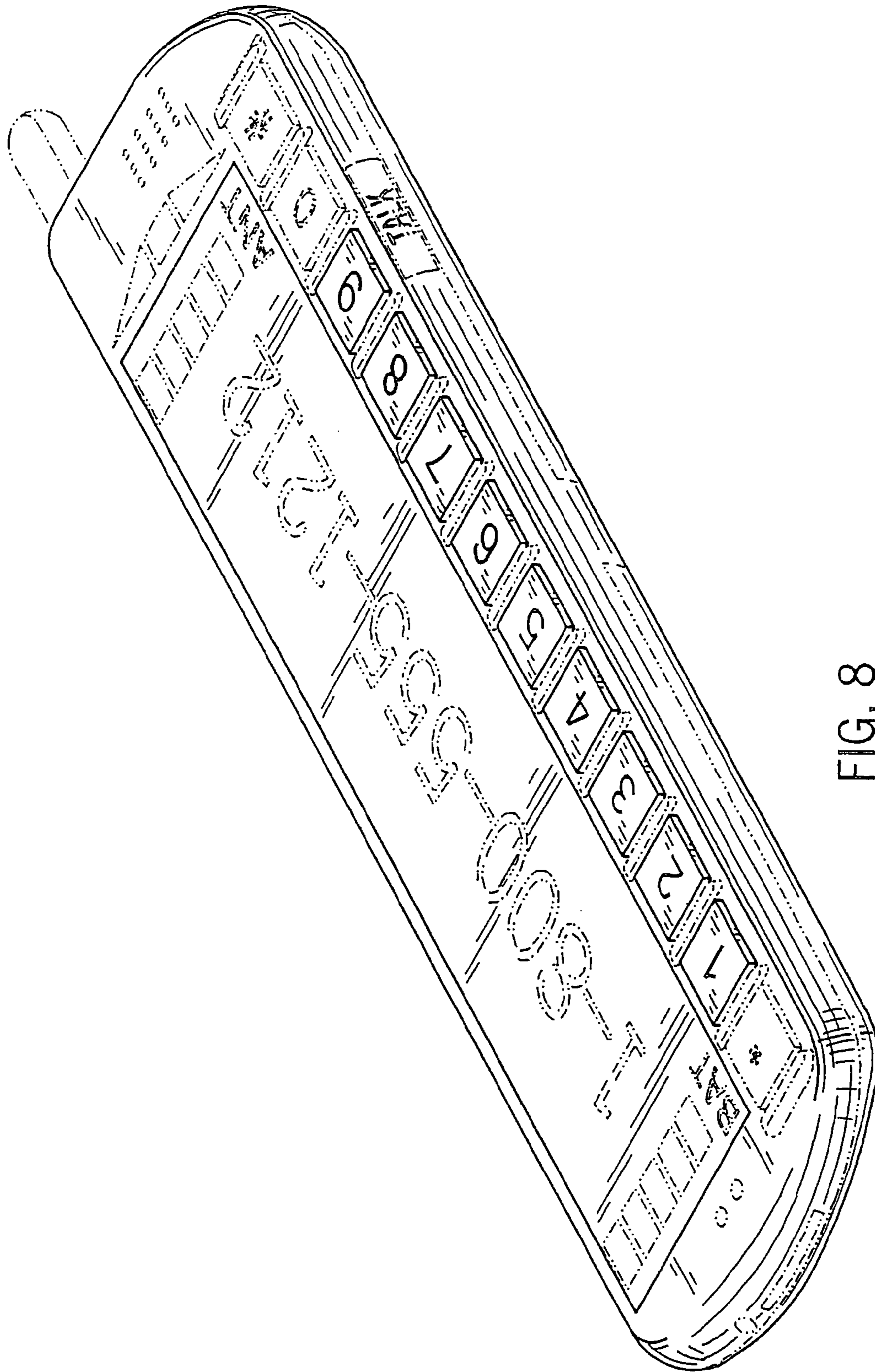


FIG. 8

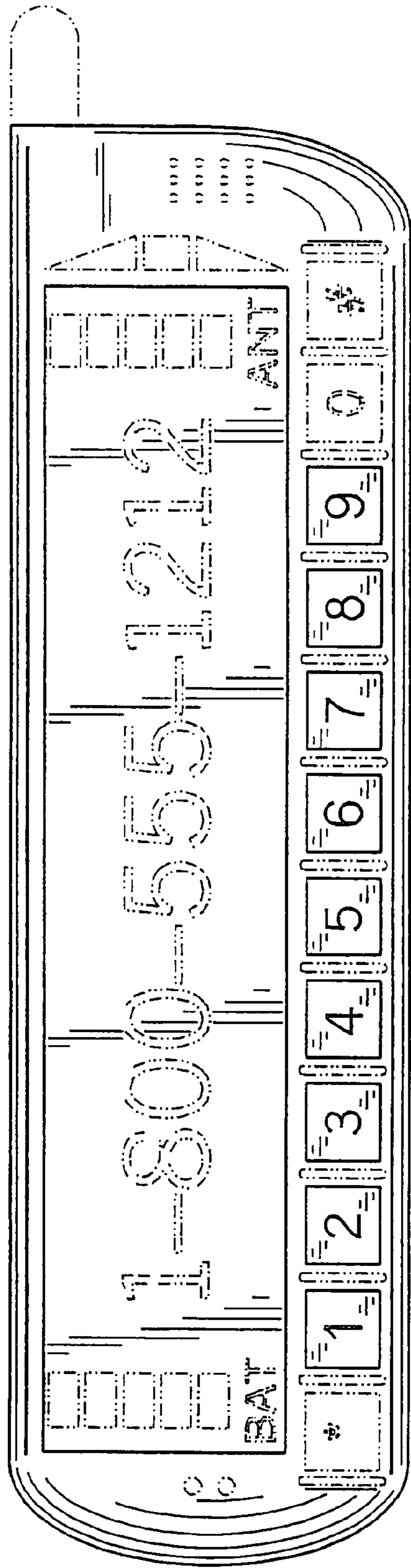


FIG. 9

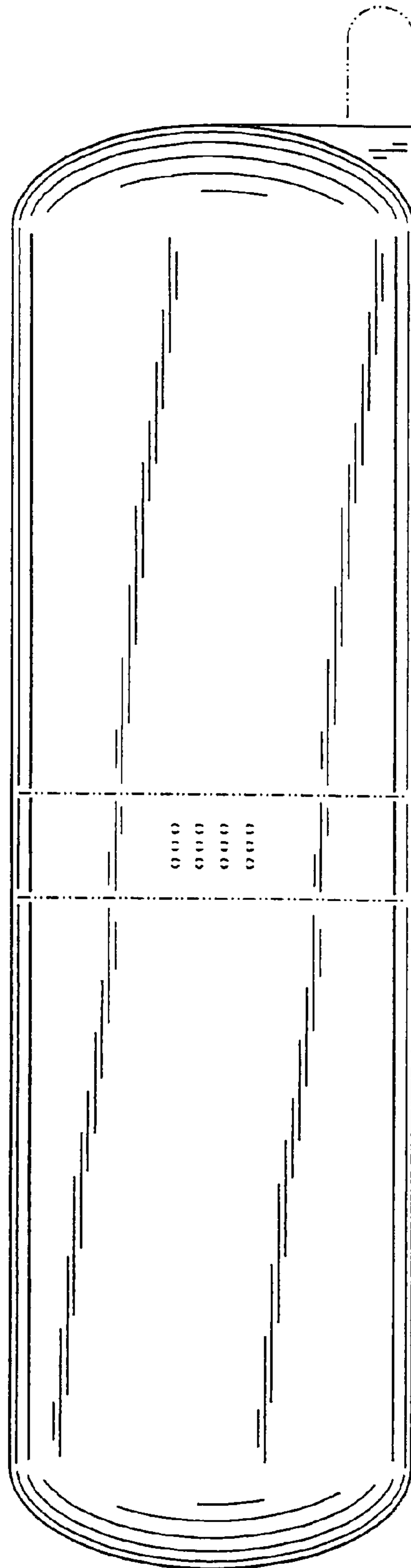


FIG. 10



FIG. 11



FIG. 12



FIG. 13



FIG. 14