



US00D573564S

(12) **United States Design Patent**
Goetzl et al.

(10) **Patent No.:** **US D573,564 S**
(45) **Date of Patent:** **** Jul. 22, 2008**

(54) **PORTABLE COMMUNICATION DEVICE HOUSING**

D413,022 S 8/1999 Tyneski et al.
D416,252 S 11/1999 Haase et al.
D416,893 S 11/1999 Tyneski et al.
D418,137 S * 12/1999 Zeitman D14/194

(75) Inventors: **Brent A. Goetzl**, Orinda, CA (US);
James L. Jameson, Seymour, TN (US);
Greg Gillis, Escondido, CA (US); **Lance Tracy**, Oak Ridge, TN (US)

(Continued)

(73) Assignee: **Radio Systems Corporation**, Knoxville, TN (US)

OTHER PUBLICATIONS

Petsafe Yard & Park Trainer, <URL:http://www.pet-dog-cat-supply-store.com/shop/index.php?page=shop-flypage-15468-50caeOd5a2416c3d2c65b3dbe &ps_session=251ddde971080f7fe81878ee75577452#longdesc>, retrieved from internet Mar. 9, 2008.*

(**) Term: **14 Years**

(Continued)

(21) Appl. No.: **29/281,860**

(22) Filed: **Jul. 3, 2007**

Primary Examiner—Ian Simmons
Assistant Examiner—Carla Wright
(74) *Attorney, Agent, or Firm*—Pitts & Brittan, PC

Related U.S. Application Data

(63) Continuation of application No. 29/214,785, filed on Oct. 8, 2004, now Pat. No. Des. 545,791.

(57) **CLAIM**

(51) **LOC (8) Cl.** **14-03**

We claim the ornamental design for a portable communication device housing, as shown and described.

(52) **U.S. Cl.** **D14/137; D10/104**

(58) **Field of Classification Search** D14/137–138, D14/144, 147–148, 155, 159, 188, 191–192, D14/194, 218, 240, 197–198, 358, 225, 247–248, D14/383–385, 417, 496; 379/433.01, 420.01–420.04, 379/419, 440, 428.01–428.04; D10/104–106; 340/539.11, 573.1, 573.3–573.4; 361/814; 455/90.2–90.3, 347–349, 351, 556.1–556.2, 455/566, 575.1; D21/517

DESCRIPTION

See application file for complete search history.

FIG. 1 a perspective view of the portable communication device housing;

FIG. 2 is a front elevation view thereof;

FIG. 3 is a back elevation view thereof;

FIG. 4 is a left side elevation view thereof, shown without the broken line disclosure of the control knob for ease of illustration;

FIG. 5 is a right side elevation view thereof;

FIG. 6 is a top plan view thereof, shown without the broken line disclosure of the control knob for ease of illustration; and,

FIG. 7 is a bottom plan view thereof.

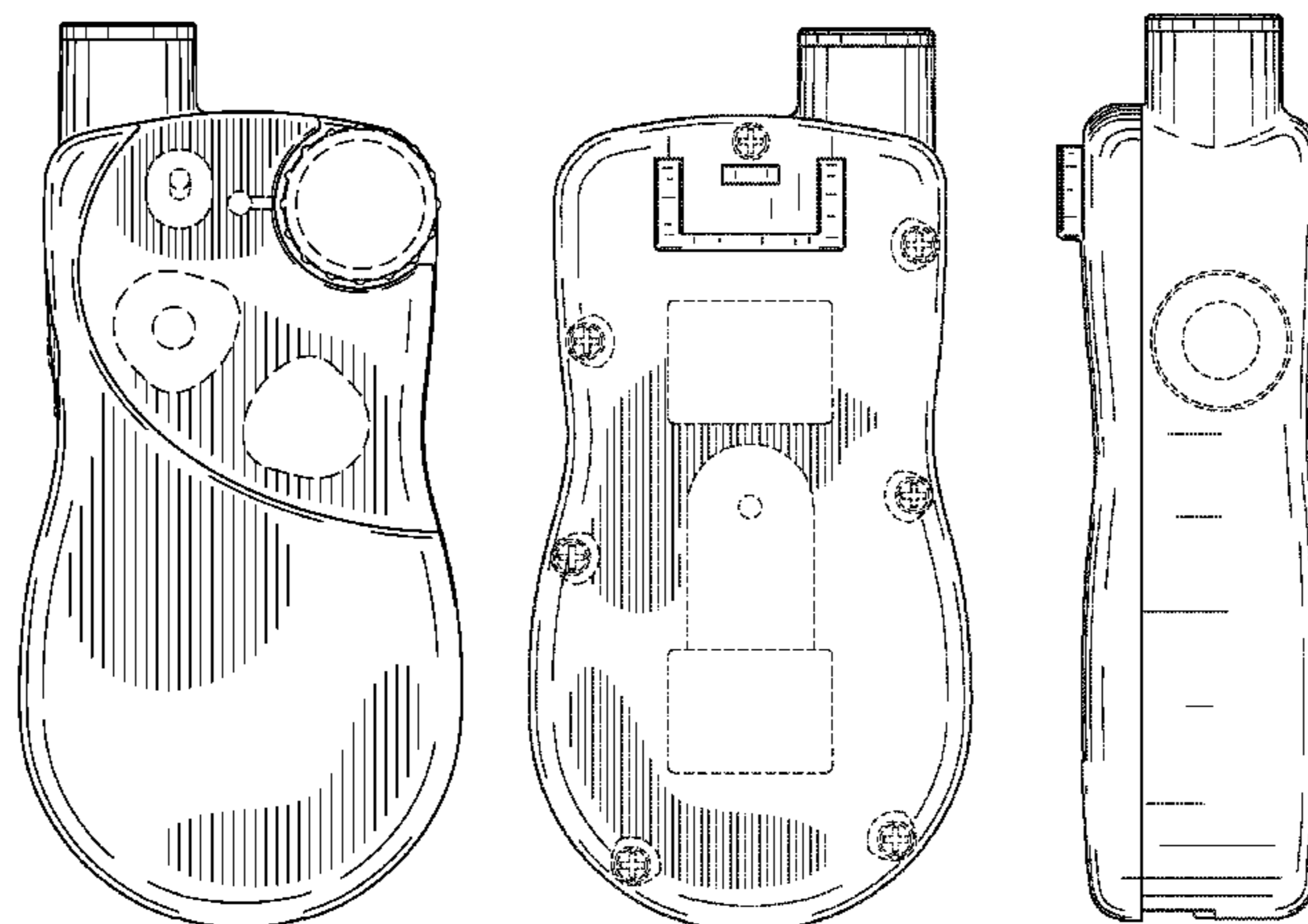
The broken line showing of environmental structures is for illustrative purposes only and forms no part of the claimed design.

(56) **References Cited**

U.S. PATENT DOCUMENTS

D383,745 S 9/1997 Lindeman et al.
D387,758 S 12/1997 Oross et al.
D389,139 S 1/1998 Oross et al.
D389,158 S 1/1998 Oross
D389,827 S 1/1998 Oross et al.
D395,882 S 7/1998 Oross et al.
D398,923 S 9/1998 Tokiyama et al.
D399,821 S 10/1998 Tyneski et al.
D408,396 S 4/1999 Tyneski et al.

1 Claim, 5 Drawing Sheets



US D573,564 S

Page 2

U.S. PATENT DOCUMENTS

D427,177 S 6/2000 Yamazaki
D433,001 S 10/2000 Haase et al.
D433,395 S * 11/2000 Wong D14/137
D433,396 S * 11/2000 Wong D14/137
D445,706 S 7/2001 Myers et al.
D446,195 S * 8/2001 Chamberlain et al. D14/137
D452,684 S 1/2002 Sedan et al.
D457,873 S * 5/2002 Ng D14/197
D462,916 S 9/2002 Fleetwood et al.
6,474,269 B2 * 11/2002 So 119/720
D479,831 S * 9/2003 Ng et al. D14/137
D480,695 S * 10/2003 Cebe et al. D14/137
D481,025 S * 10/2003 Cebe et al. D14/137

D482,009 S * 11/2003 Robertson et al. D14/137
D482,630 S 11/2003 So
D500,486 S 1/2005 Zeitman
7,017,524 B2 3/2006 Gillis et al.
D535,973 S * 1/2007 Goetzl et al. D14/155
D545,790 S * 7/2007 Jameson et al. D14/137

OTHER PUBLICATIONS

³/₄ Mile Advanced Trainer SD-1200, <URL:http://www.pet-dog-cat-supply-store.com/shop/index.php?page=shop-flypage-9957-50cae0d5a9a0c26a2416c3d2c65b3dbe&ps_session=251ddde971080f7fe81878ee75577452>, retrieved from internet Mar. 9, 2008.*

* cited by examiner

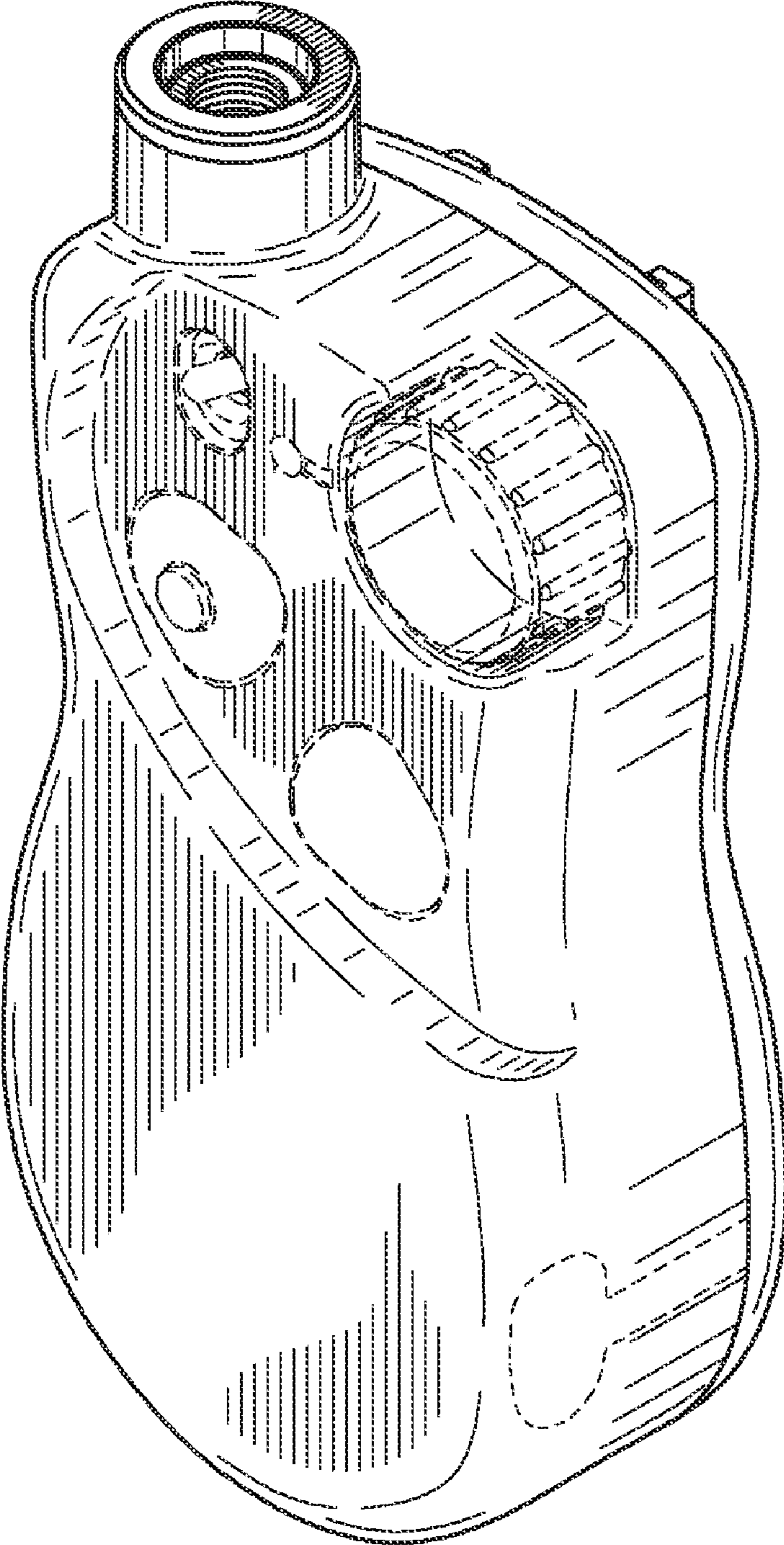


Fig. 1

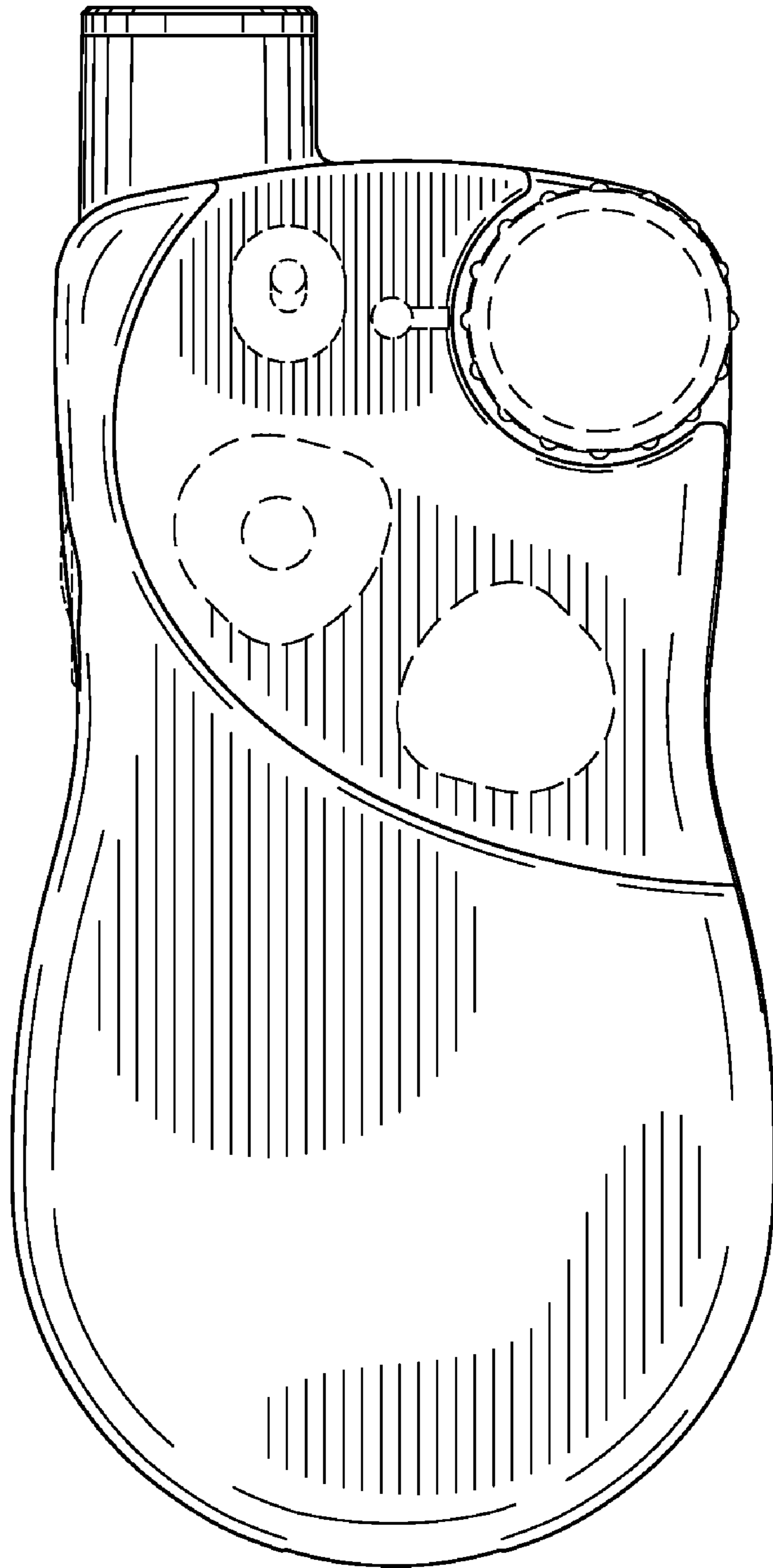


Fig. 2

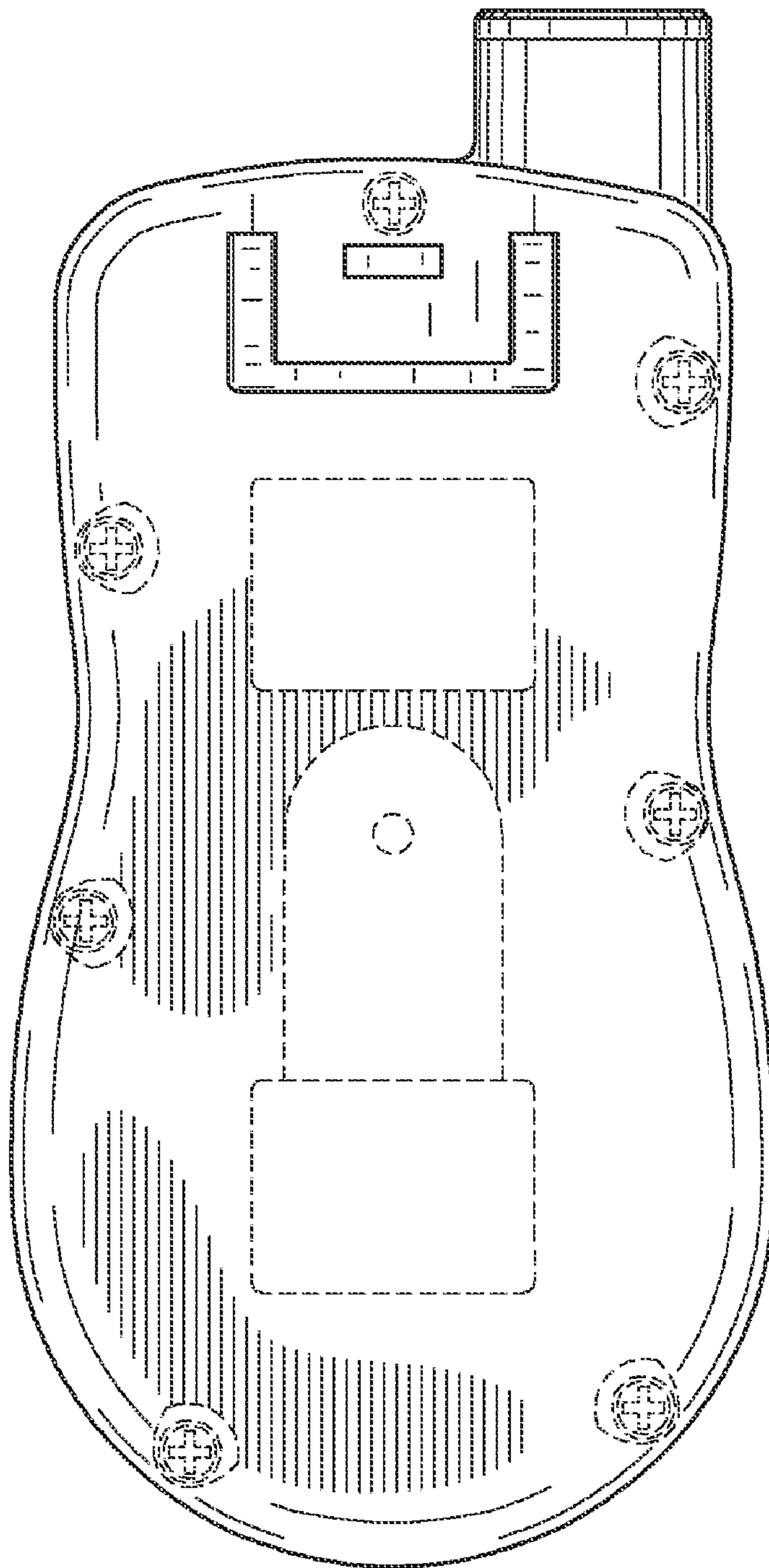


Fig. 3

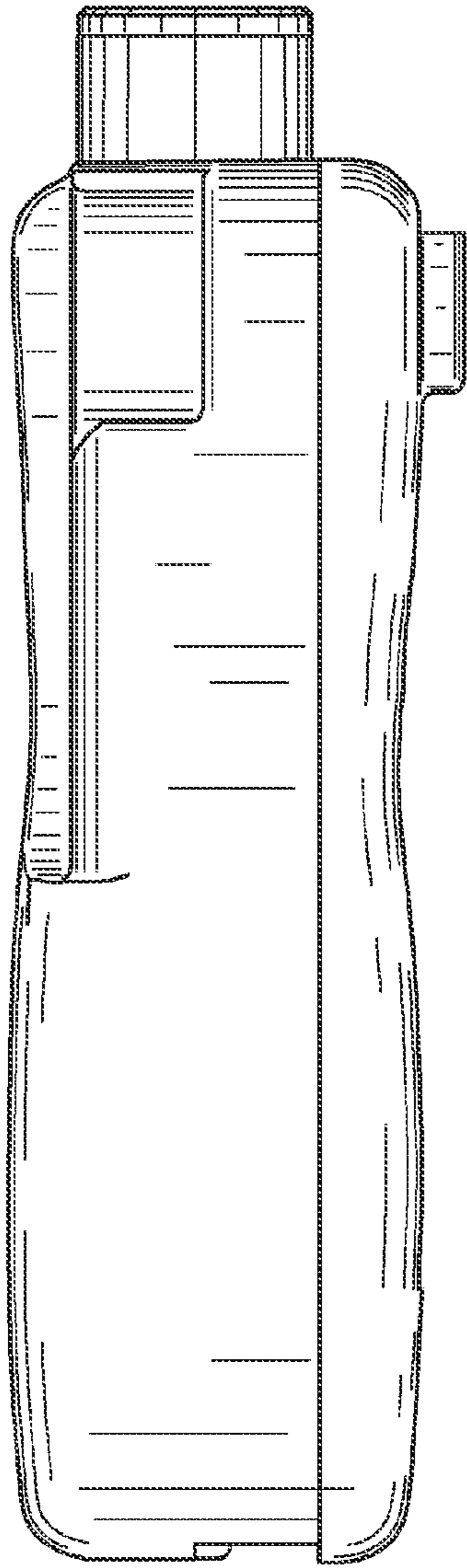


Fig. 4

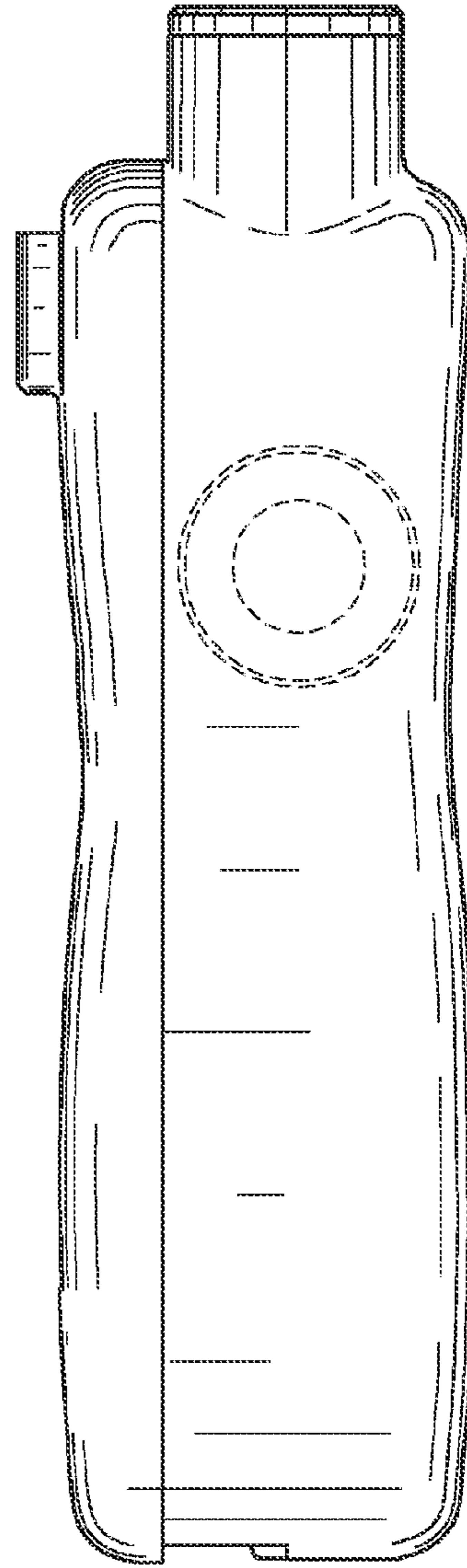


Fig. 5

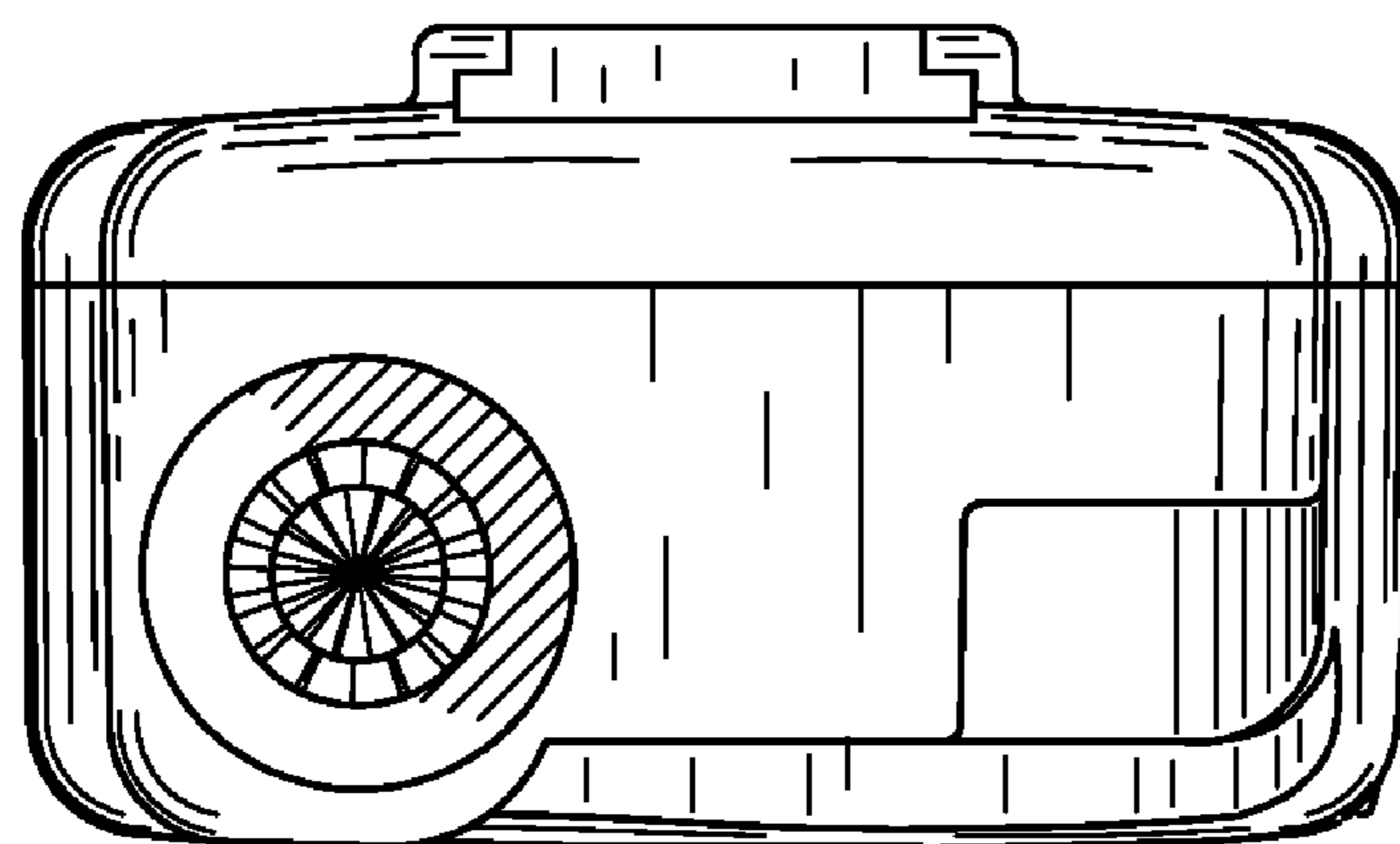


Fig. 6

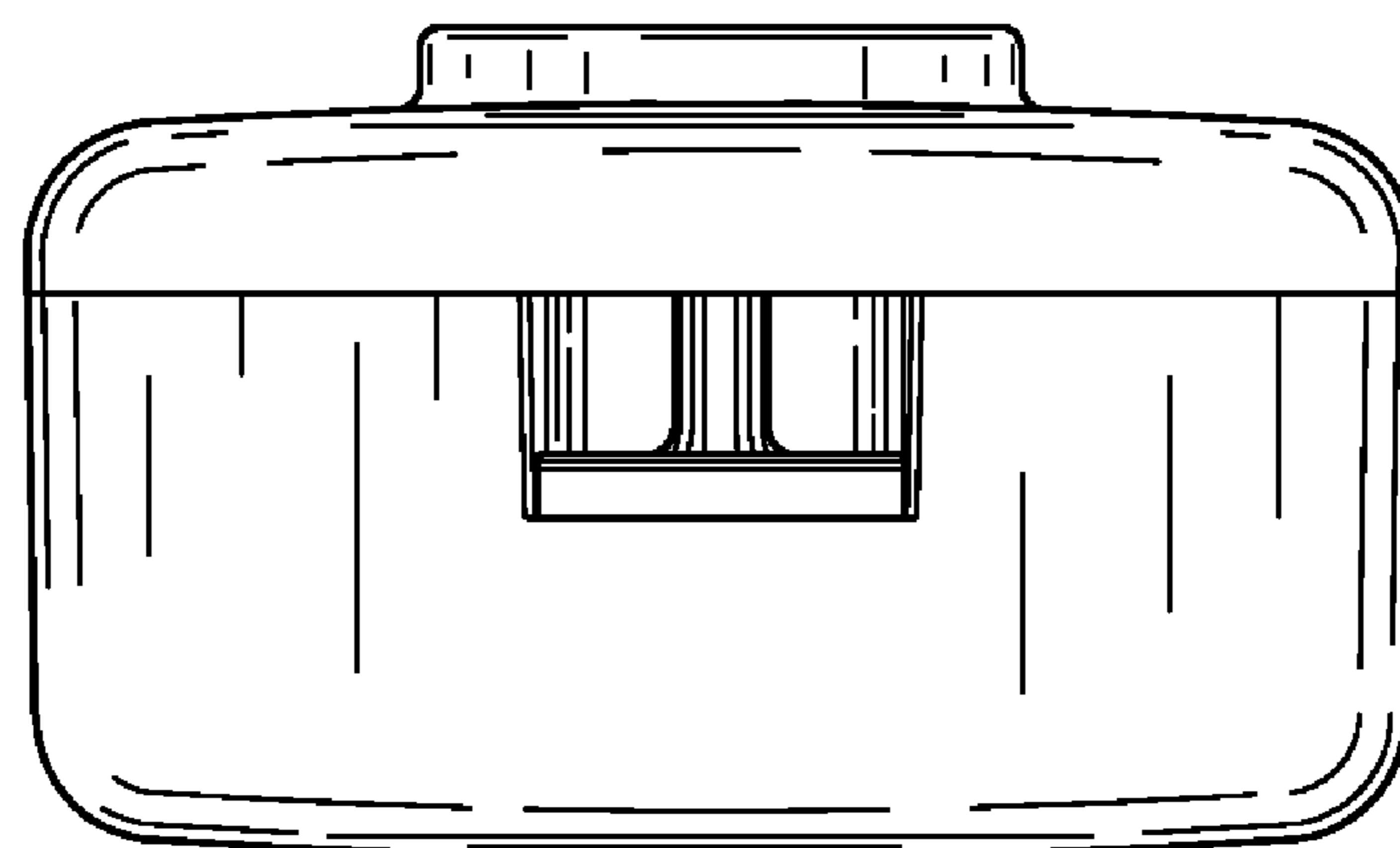


Fig. 7