



US00D573555S

(12) **United States Design Patent**
Rein

(10) **Patent No.:** **US D573,555 S**

(45) **Date of Patent:** **** Jul. 22, 2008**

(54) **WALL-MOUNTED MULTIMEDIA STATION**

(76) **Inventor:** **Gary Rein**, 954 Lexington Ave., Suite 267, New York, NY (US) 10021

(**) **Term:** **14 Years**

(21) **Appl. No.:** **29/267,732**

(22) **Filed:** **Oct. 20, 2006**

(51) **LOC (8) Cl.** **14-03**

(52) **U.S. Cl.** **D14/125; D14/239**

(58) **Field of Classification Search** D14/125-134, D14/220-239, 371, 135, 136, 155, 374-377, D14/138, 299, 358, 492, 356, 361-363, 365, D14/496; 312/7.2, 208.1-223.2; 348/836, 348/838, 180, 184, 325, 739, 10, 460; 341/12; 248/917-924, 465, 123.11, 121, 122.1, 124.1, 248/441.1, 454, 455; 345/104, 133, 156, 345/168, 87, 173, 169; 349/1, 2, 11, 62; 720/605, 669, 600, 655, 99, 197; 455/344-347; 361/681, 683; 368/12; D12/421, 415
See application file for complete search history.

(56) **References Cited**

U.S. PATENT DOCUMENTS

3,247,332 A * 4/1966 Mchugh 379/453
4,101,184 A * 7/1978 Barrett 312/233
4,103,980 A * 8/1978 Silva 312/185
4,902,079 A * 2/1990 Kaplan et al. 312/245

D341,593 S * 11/1993 Chang D14/229
D404,025 S * 1/1999 Van Horne et al. D14/331
D475,029 S * 5/2003 Nathan et al. D14/126
7,175,152 B2 * 2/2007 Dittmer 248/221.11
D560,676 S * 1/2008 Wohlford et al. D14/451
D561,188 S * 2/2008 Wohlford et al. D14/451

* cited by examiner

Primary Examiner—Raphael Barkai

Assistant Examiner—Randall H Gholson

(74) *Attorney, Agent, or Firm*—Keith D. Nowak

(57) **CLAIM**

The ornamental design for a wall-mounted multimedia station, as shown and described.

DESCRIPTION

FIG. 1 is a perspective view of the wall-mounted multimedia station;

FIG. 2 is a front end view thereof;

FIG. 3 is a rear end view thereof;

FIG. 4 is a right side view thereof;

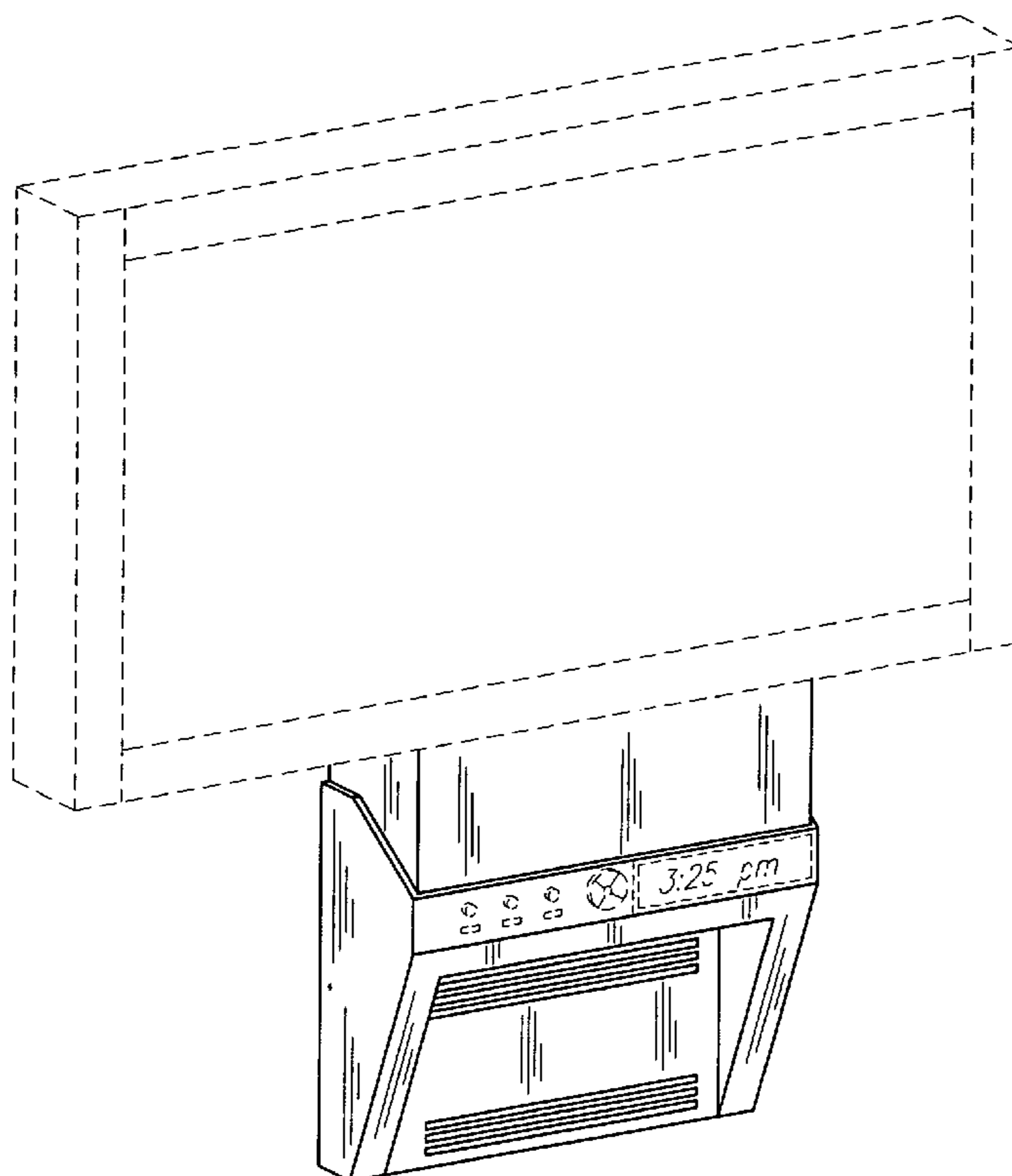
FIG. 5 is a left side view thereof;

FIG. 6 is a top view thereof; and

FIG. 7 is a bottom view thereof; and,

FIG. 8 is a second perspective view thereof.

1 Claim, 6 Drawing Sheets



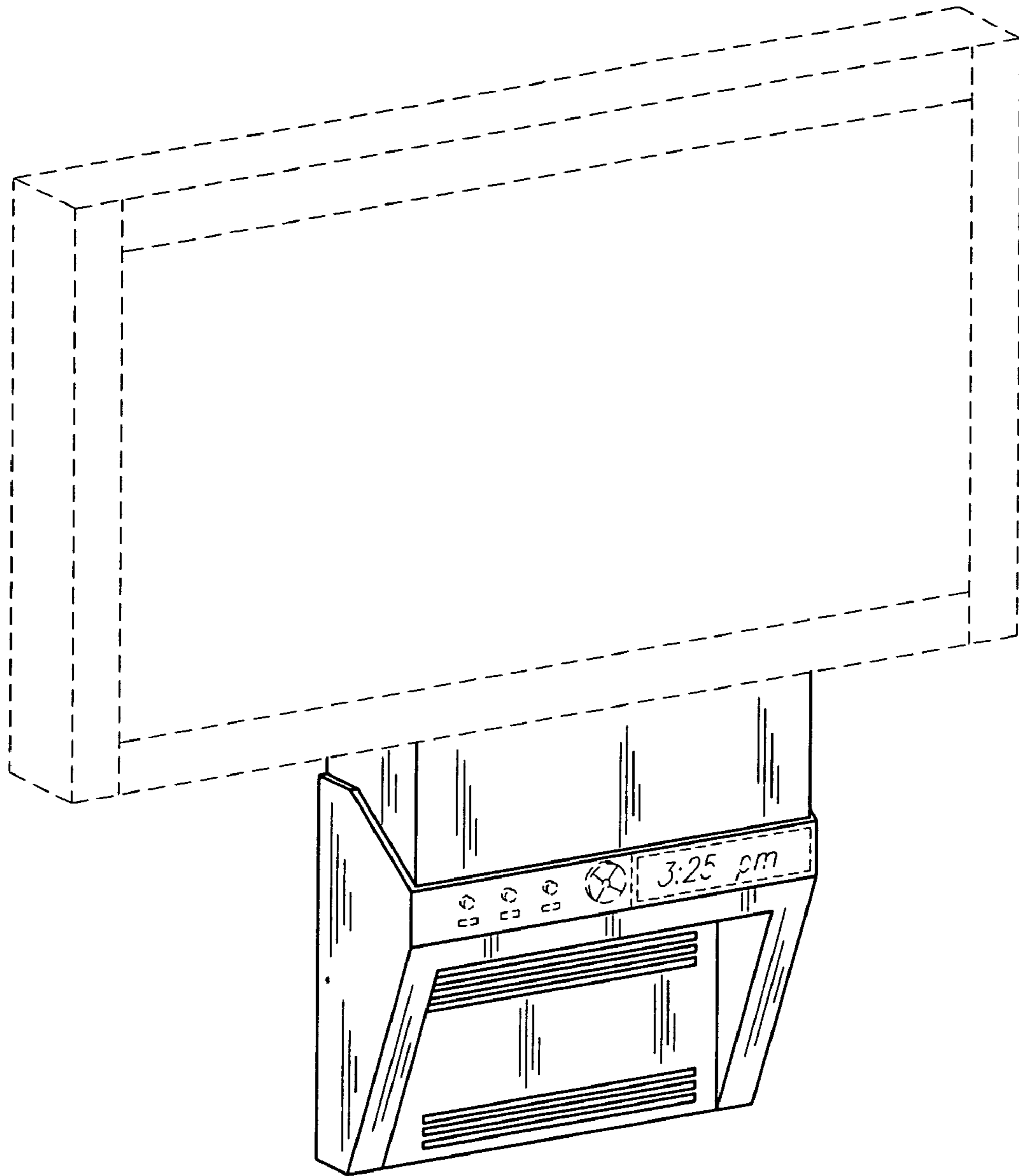


FIG. 1

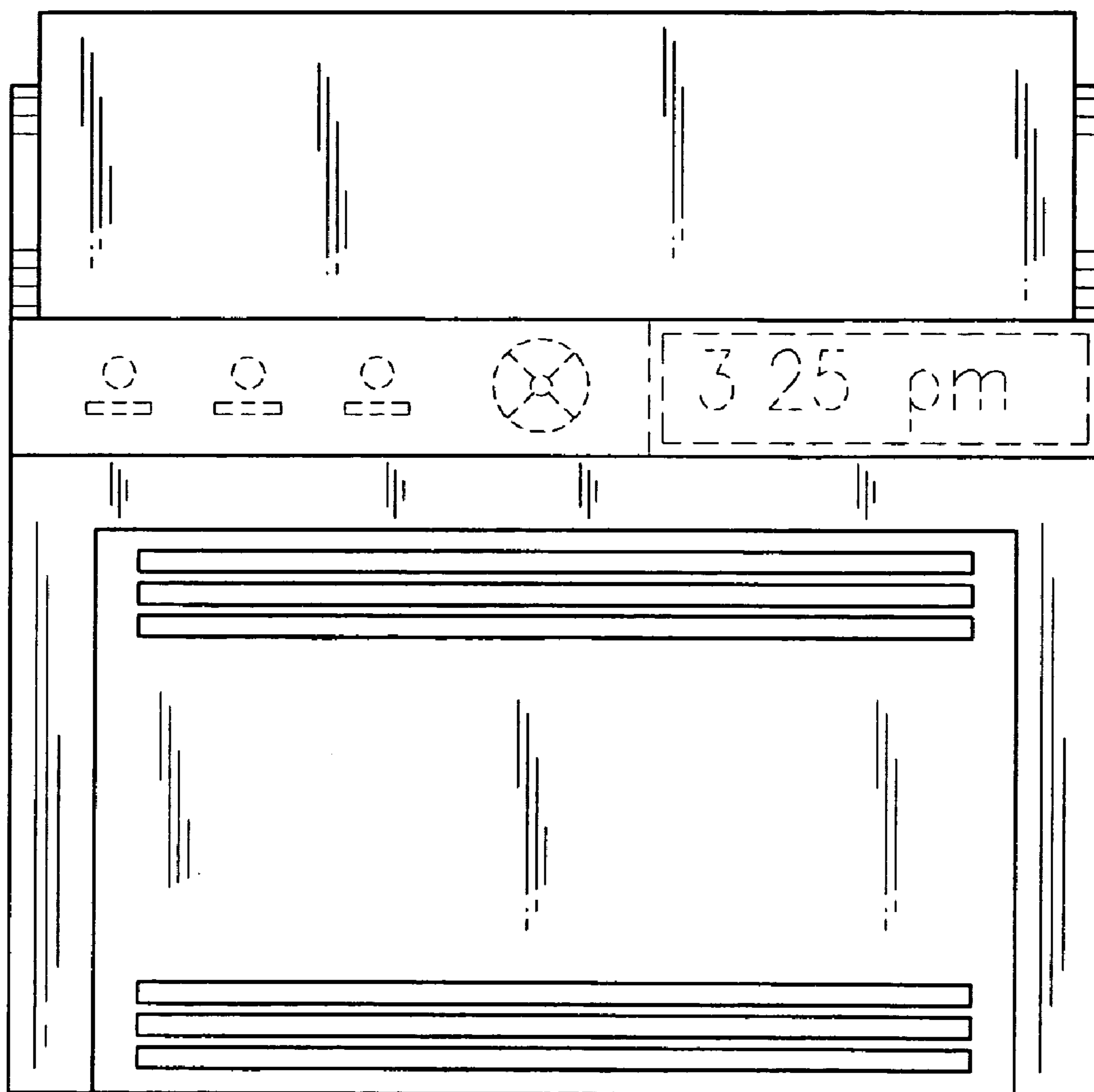


FIG. 2

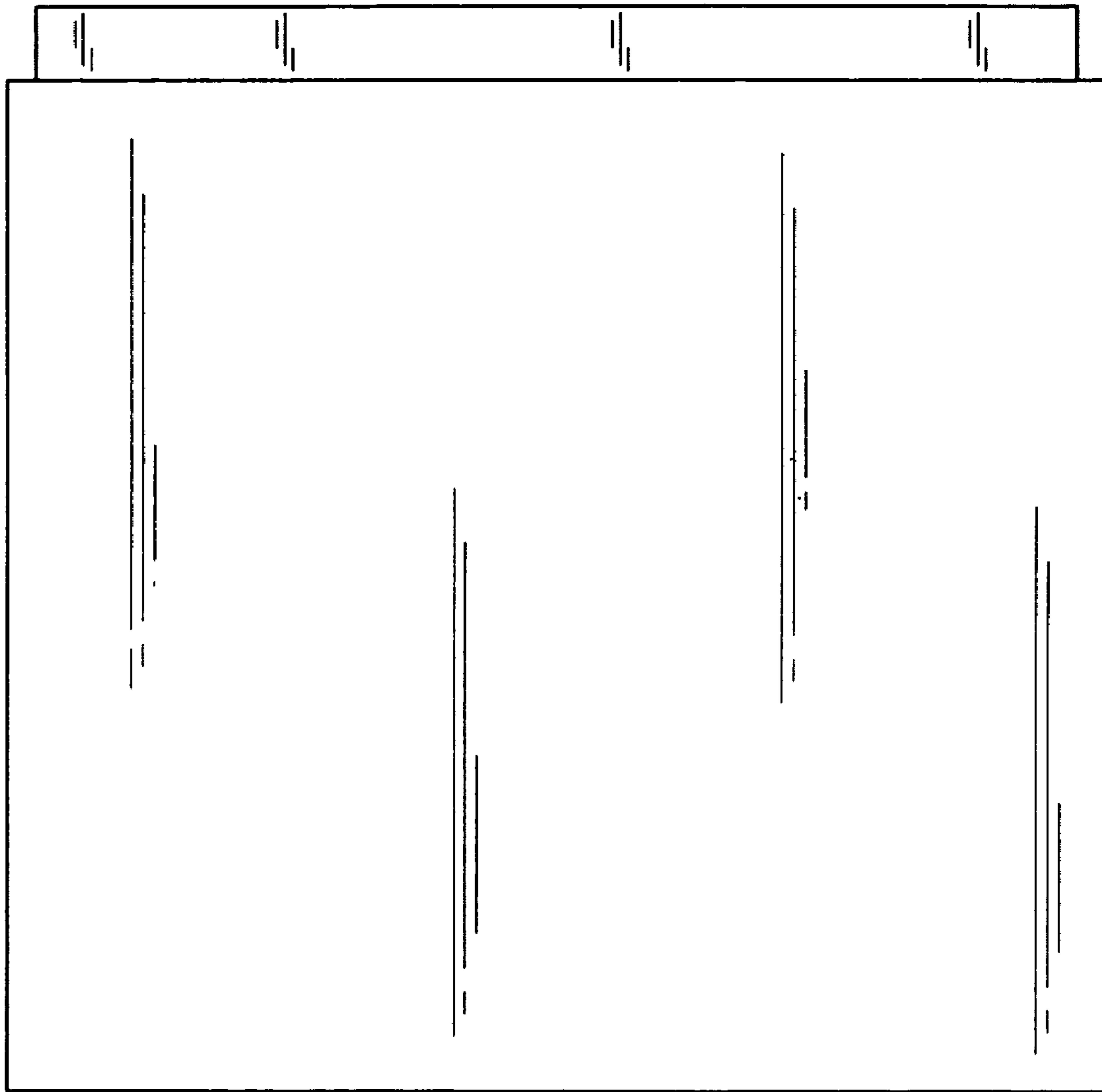


FIG. 3

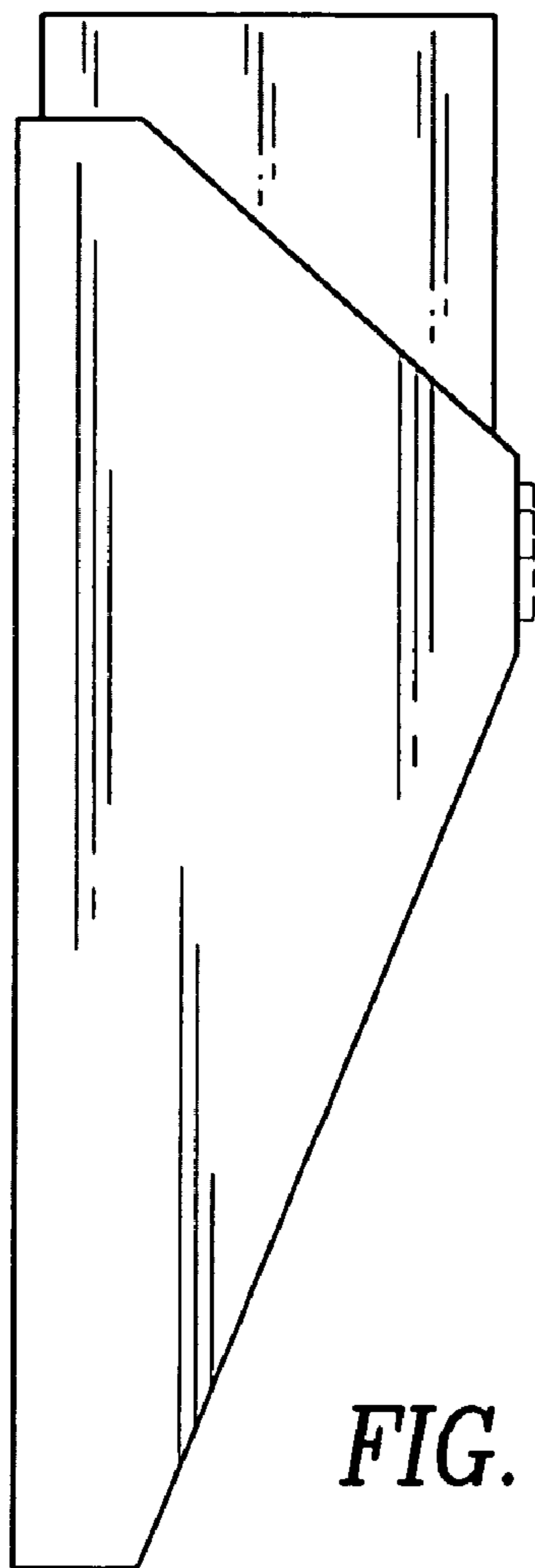


FIG. 4

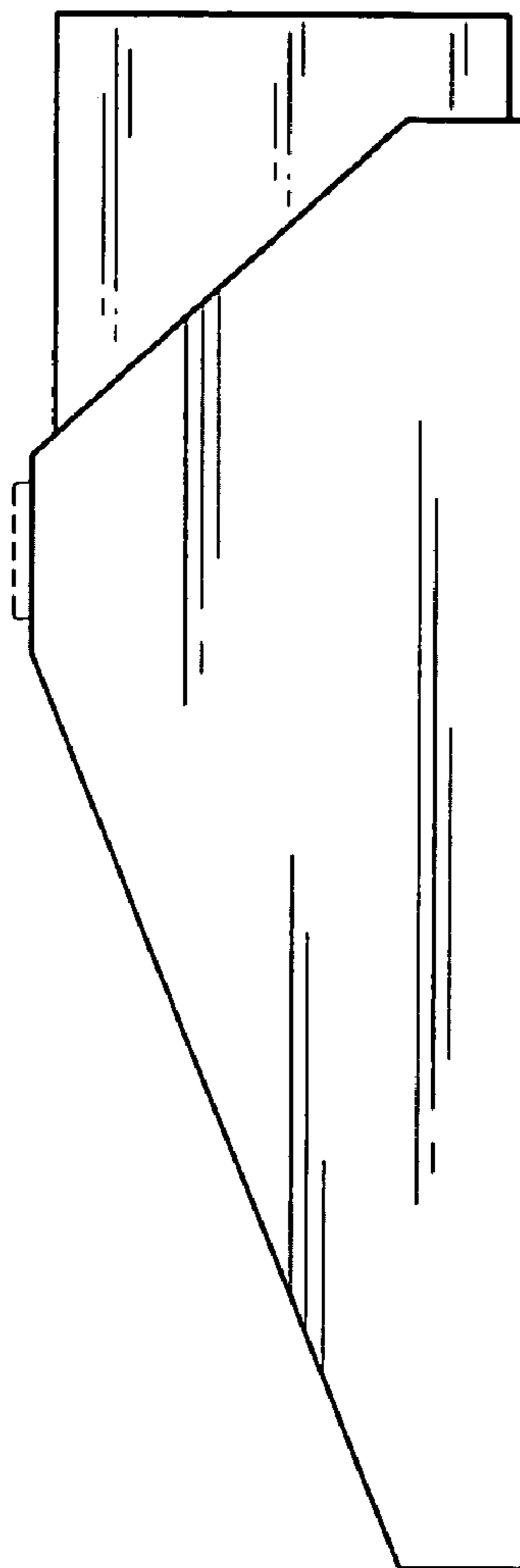


FIG. 5

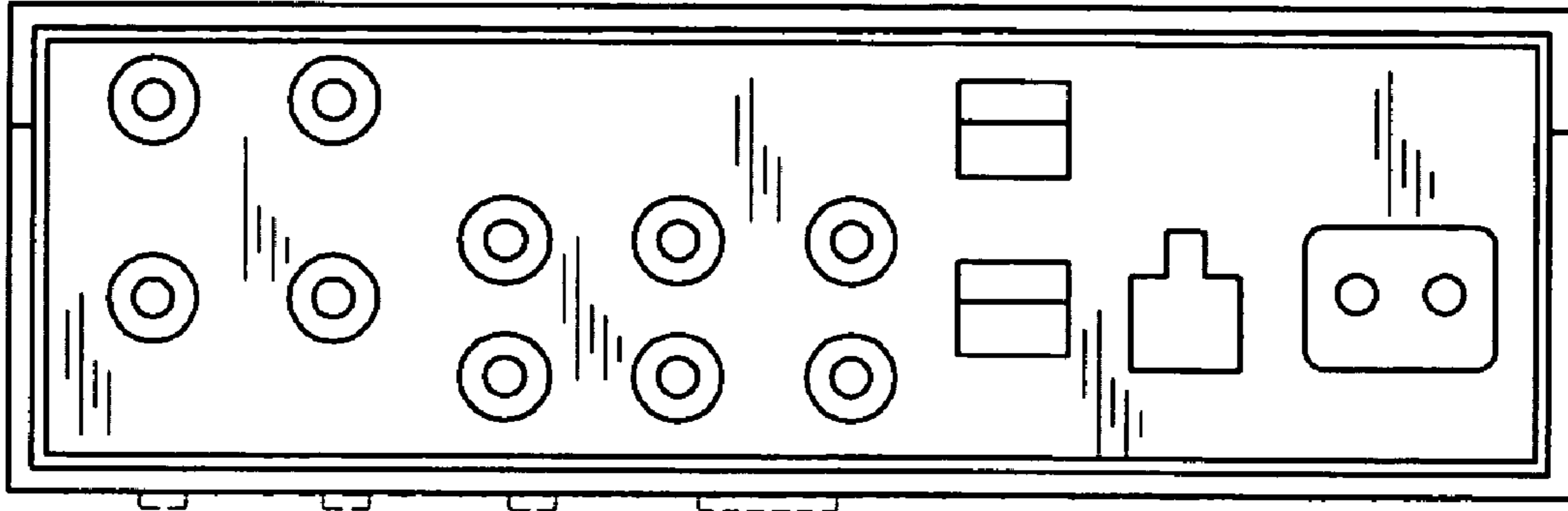


FIG. 6

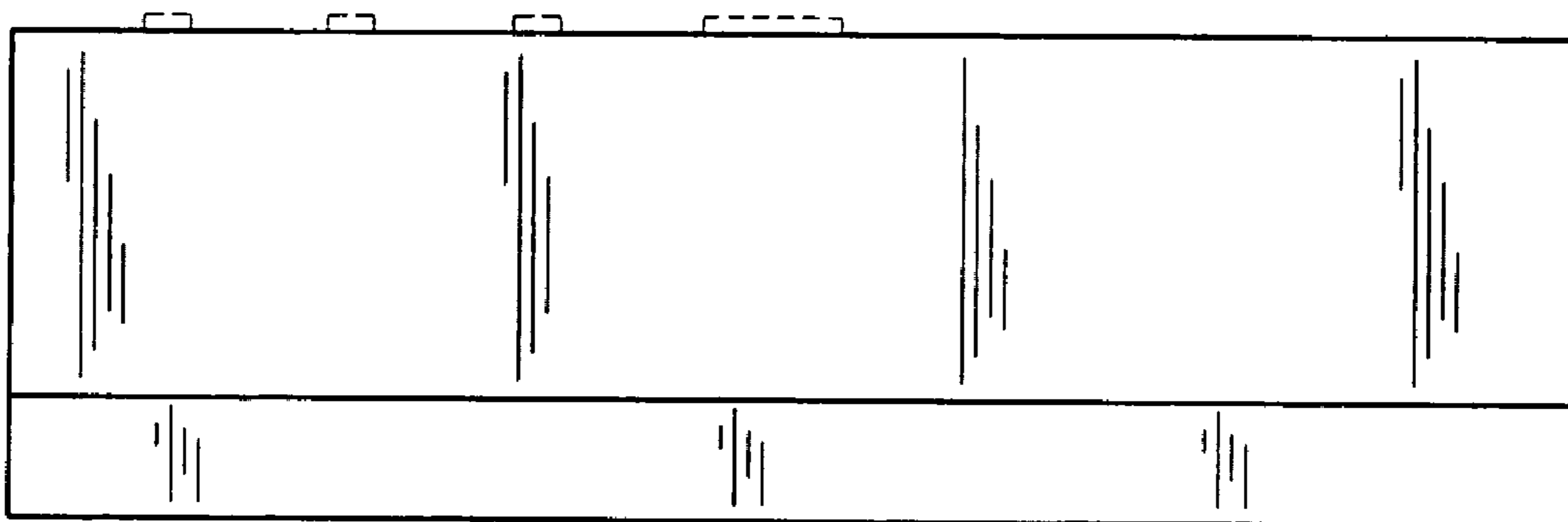


FIG. 7

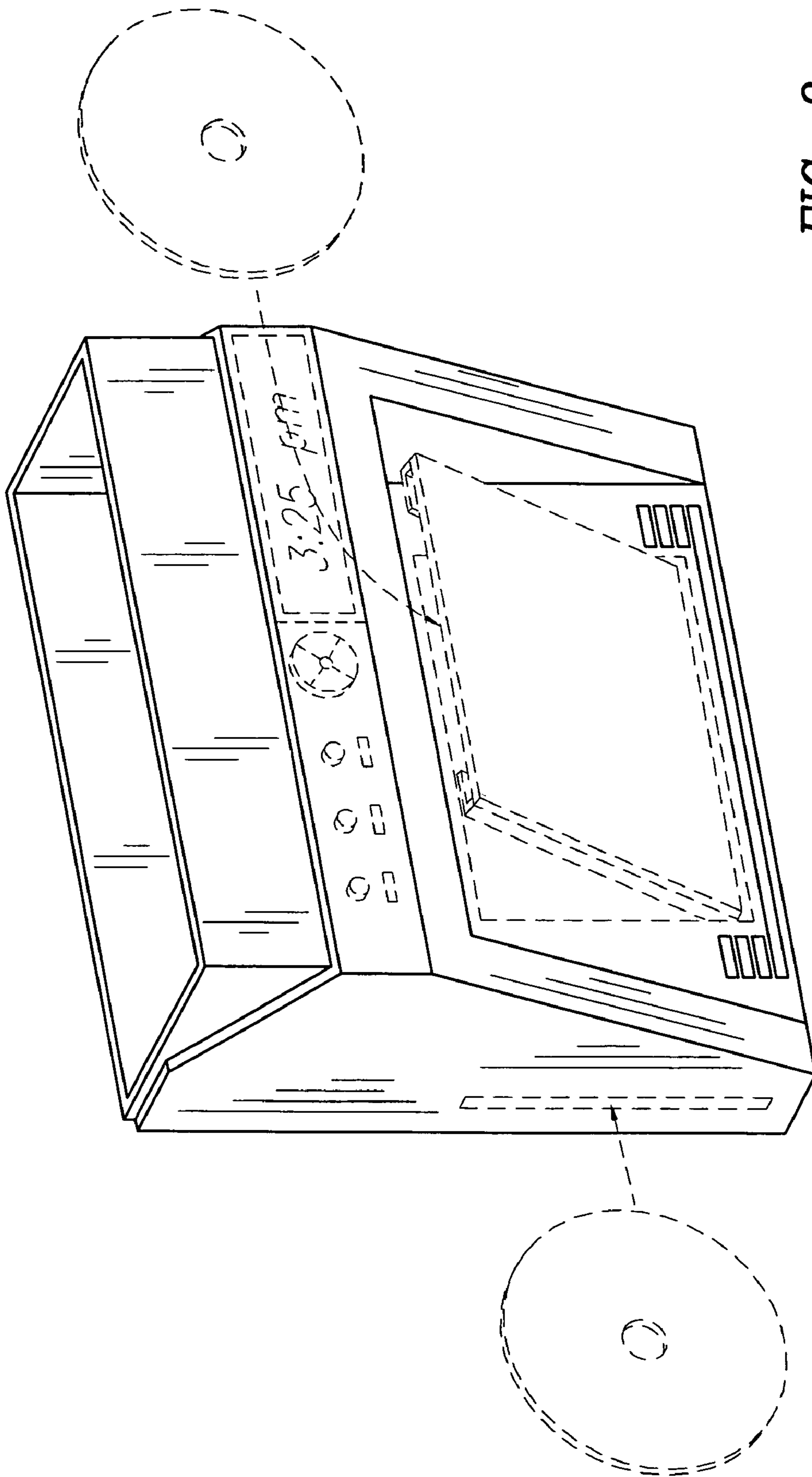


FIG. 8