

US00D573552S

(12) **United States Design Patent**
Kim et al.

(10) **Patent No.:** **US D573,552 S**
(45) **Date of Patent:** **** Jul. 22, 2008**

(54) **LIGHT EMITTING DIODE (LED)**
(75) Inventors: **Dae-Won Kim**, Seoul (KR); **Mi-Hae Kim**, Incheon-si (KR)
(73) Assignee: **Seoul Semiconductor Co., Ltd.**, Seoul (KR)

D530,684 S * 10/2006 Tzeng D13/180
D534,132 S * 12/2006 Yoon D13/180
D536,672 S * 2/2007 Asakawa D13/180
D557,223 S * 12/2007 Kim et al. D13/180
2004/0046242 A1 * 3/2004 Asakawa 257/678
2005/0121688 A1 * 6/2005 Nagai et al. 257/99
2005/0205974 A1 * 9/2005 Su et al. 257/678

(**) Term: **14 Years**
(21) Appl. No.: **29/280,588**
(22) Filed: **May 31, 2007**

* cited by examiner
Primary Examiner—Selina Sikder
(74) *Attorney, Agent, or Firm*—Marger Johnson & McCollom PC

(30) **Foreign Application Priority Data**
Mar. 12, 2007 (KR) 30-2007-0010531

(57) **CLAIM**
The ornamental design for light emitting diode (LED), as shown and described.

(51) **LOC (8) Cl.** **13-03**
(52) **U.S. Cl.** **D13/180**
(58) **Field of Classification Search** D13/180;
D26/2; 257/79, 80, 81, 88, 89, 95, 98, 99,
257/100; 313/483, 498, 500; 362/555, 800
See application file for complete search history.

DESCRIPTION

FIG. 1 is a perspective view of an LED showing our new design.
FIG. 2 is a front elevational view thereof.
FIG. 3 is a rear elevational view thereof.
FIG. 4 is a left side elevational view thereof.
FIG. 5 is a right side elevational view thereof.
FIG. 6 is a top plan view thereof.
FIG. 7 is a bottom plan view thereof; and,
FIG. 8 is a cross-sectional view taken along line VIII—VIII of FIG. 2.

(56) **References Cited**
U.S. PATENT DOCUMENTS
D489,677 S * 5/2004 Ishida D13/100
D489,691 S * 5/2004 Ishida D13/180
D499,385 S * 12/2004 Ishida D13/180
7,009,285 B2 * 3/2006 Su et al. 257/680
D527,352 S * 8/2006 Wu et al. D13/180
D528,999 S * 9/2006 Cho et al. D13/180
D529,451 S * 10/2006 Kim et al. D13/180

1 Claim, 4 Drawing Sheets

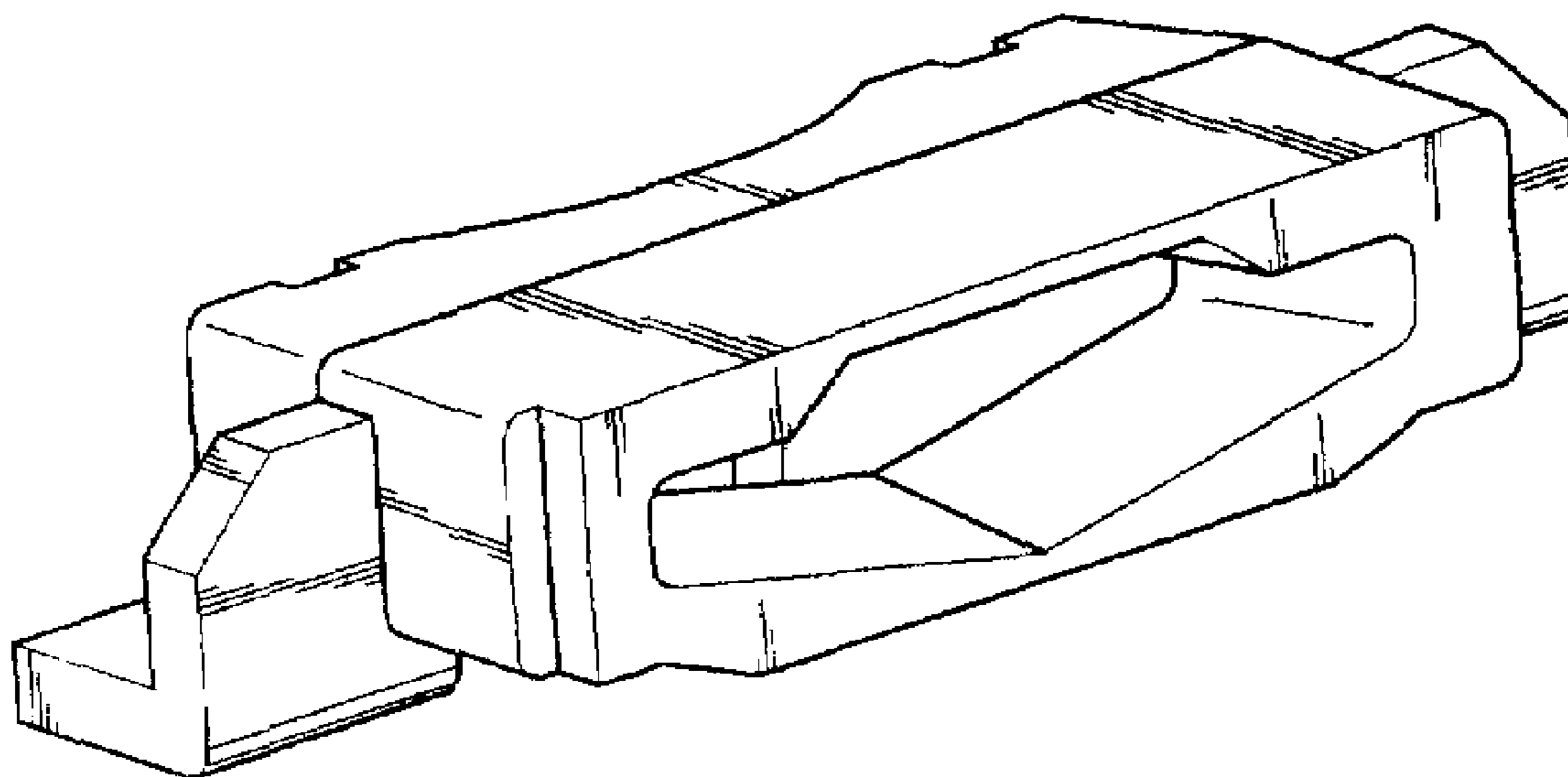


FIG. 1

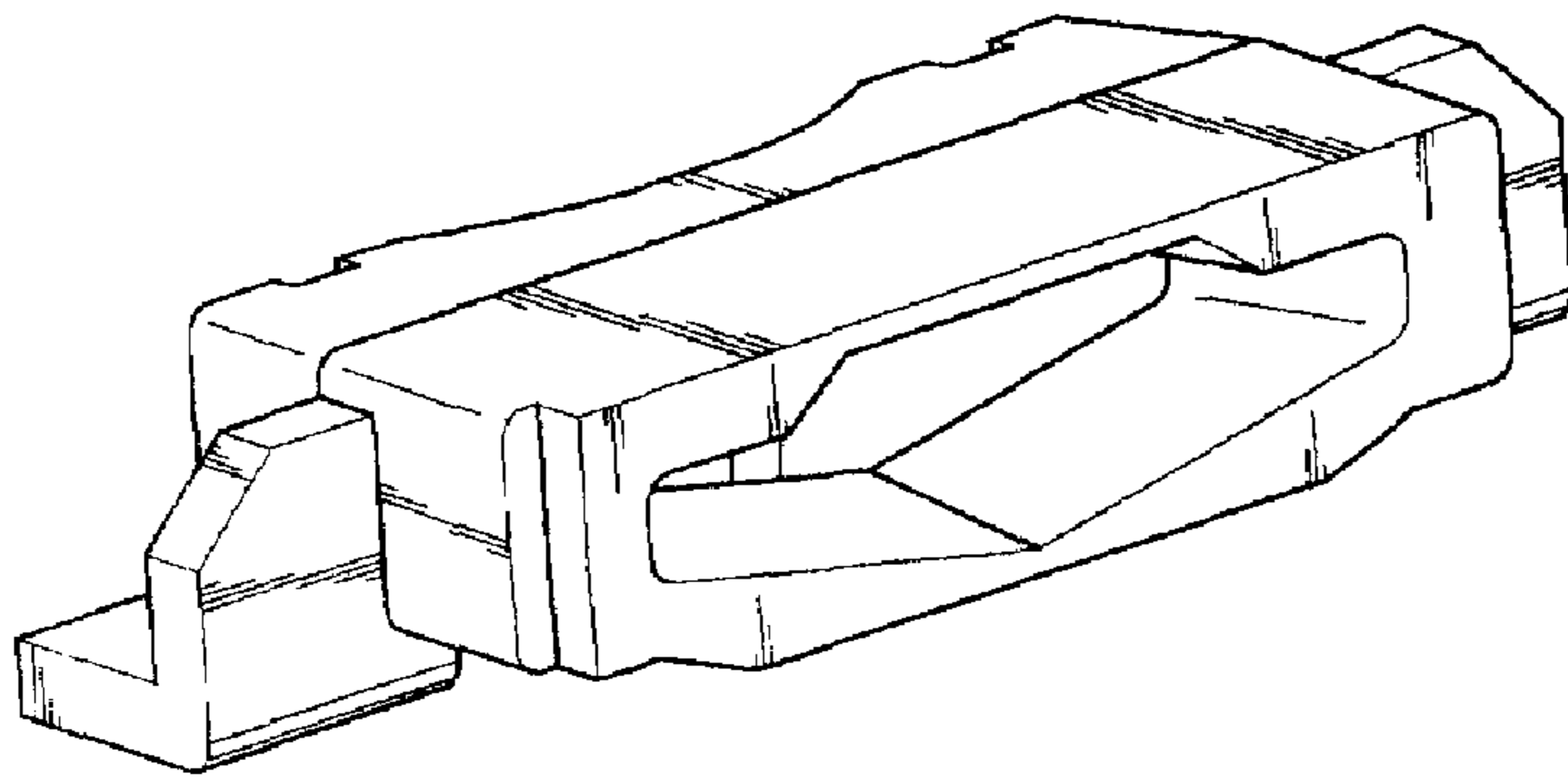


FIG. 2

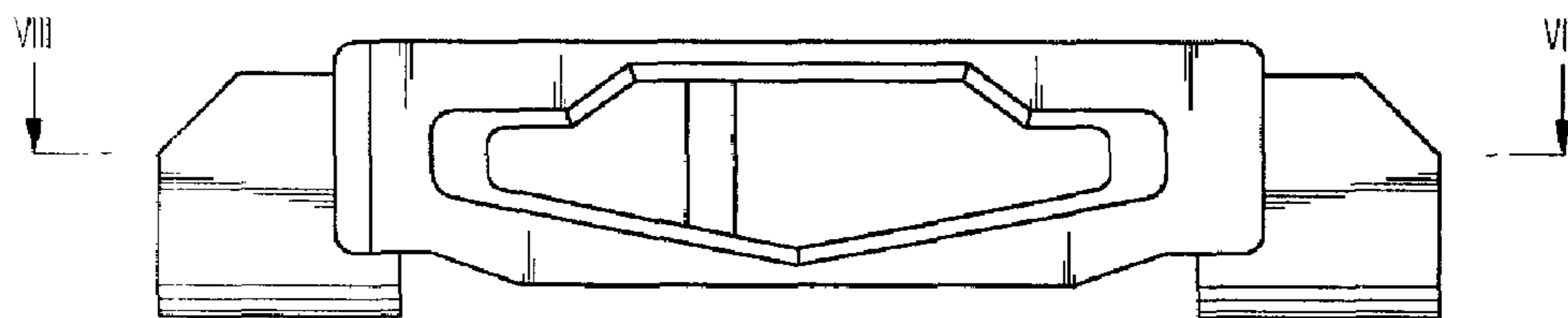


FIG. 3

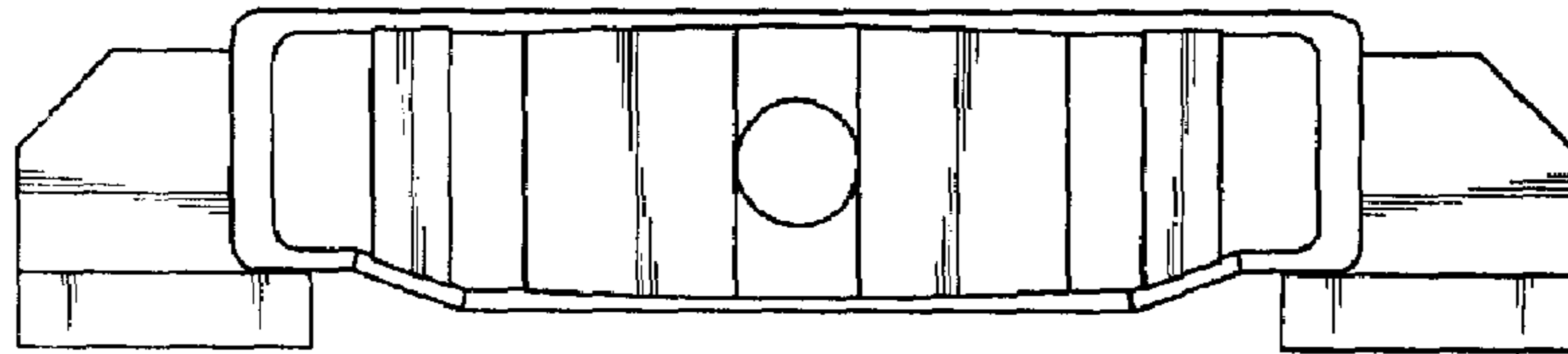


FIG. 4

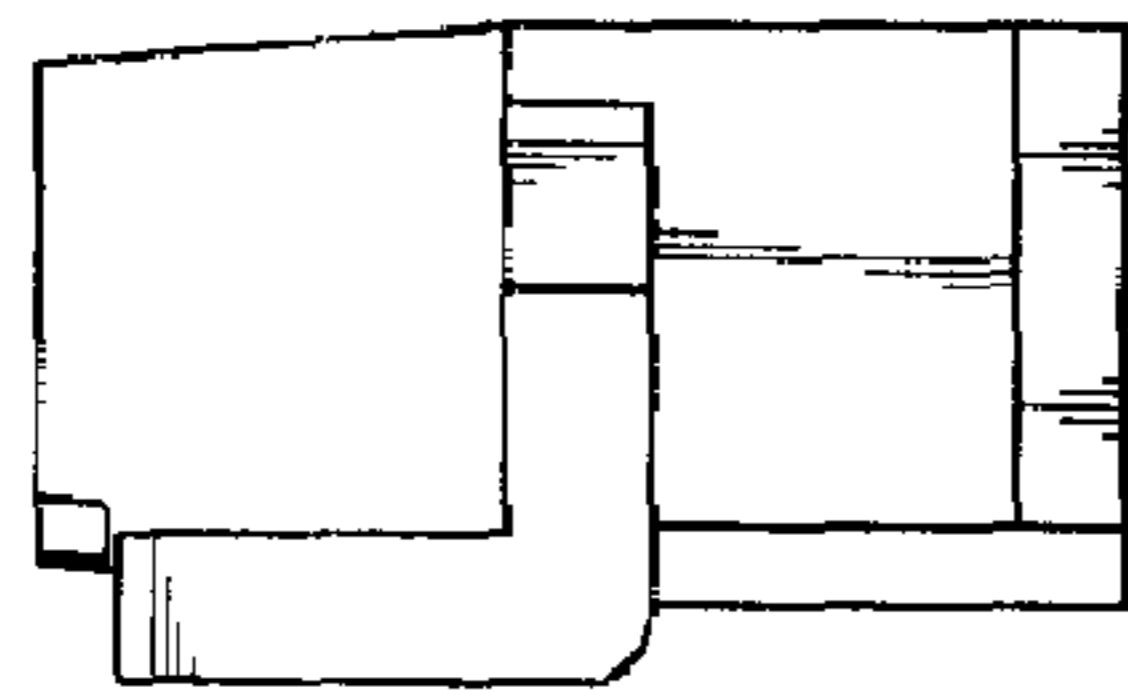


FIG. 5

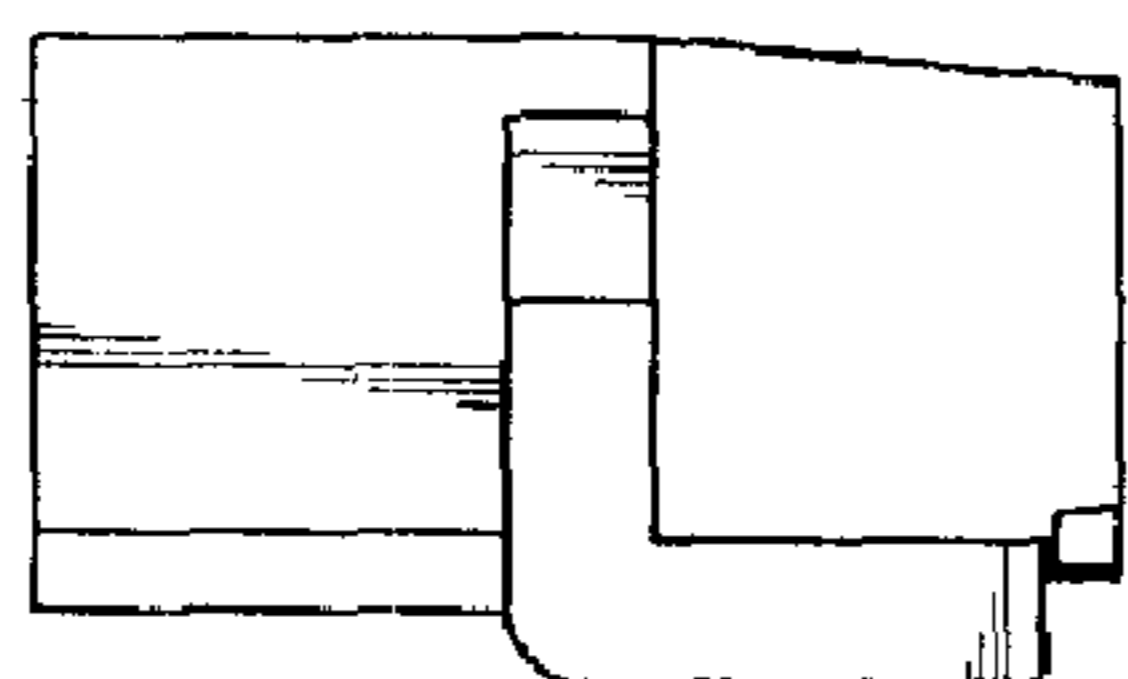


FIG. 6

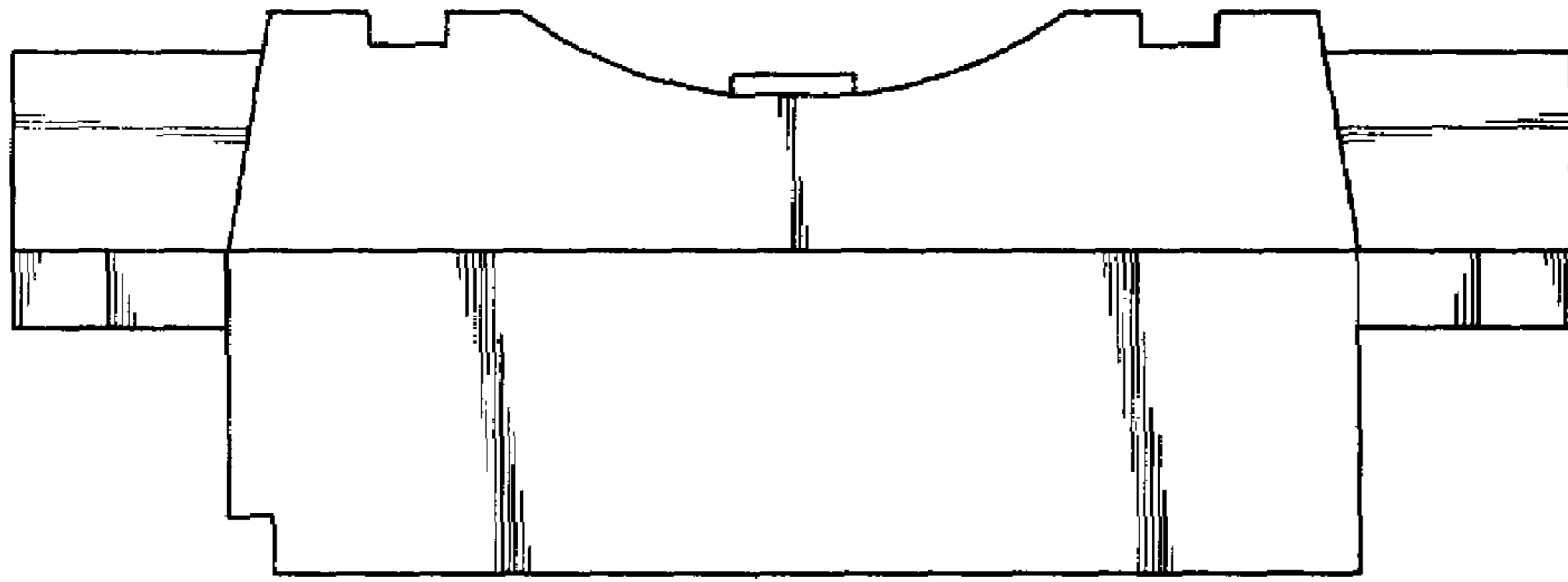


FIG. 7

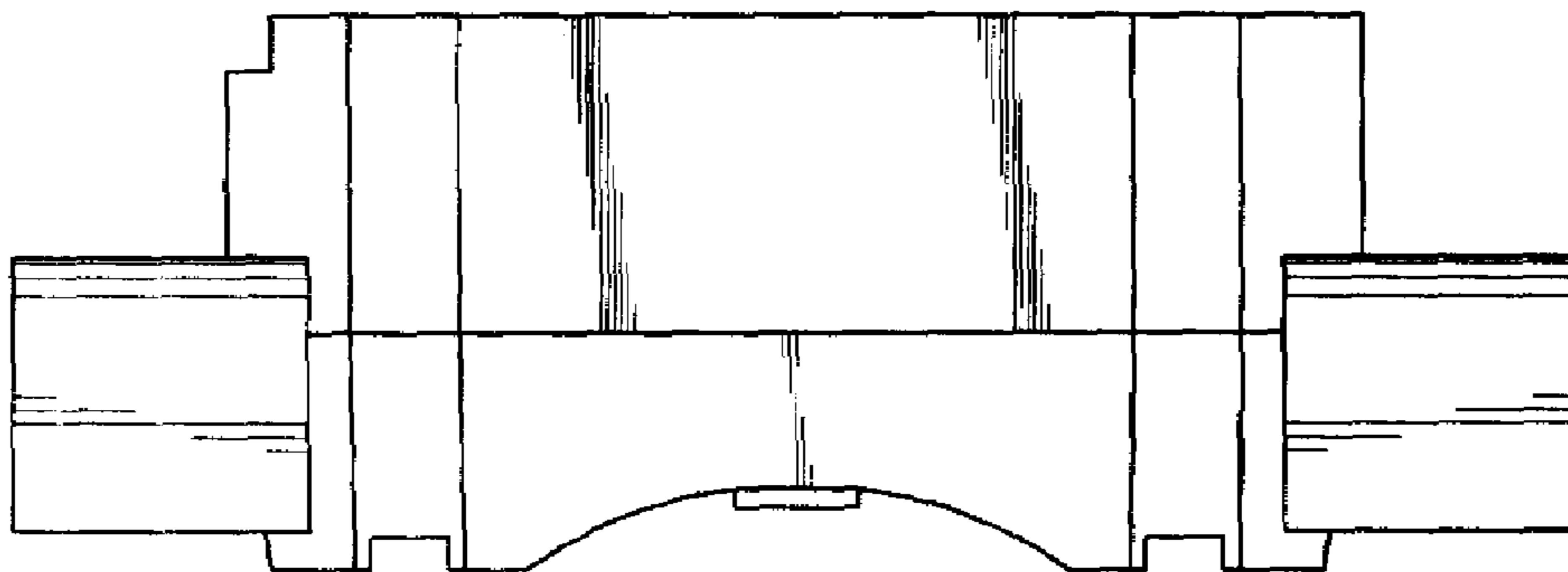


FIG. 8

