



US00D573547S

(12) **United States Design Patent**
Stevens et al.

(10) **Patent No.:** **US D573,547 S**
(45) **Date of Patent:** **** Jul. 22, 2008**

- (54) **REMOTE CONTROL UNIT FOR A NAVIGATION DEVICE**
- (75) Inventors: **Warren R. Stevens**, Olathe, KS (US);
Joshua A. Corn, Olathe, KS (US);
Juhee Lee, Olathe, KS (US)
- (73) Assignee: **Garmin Ltd.** (KY)
- (**) Term: **14 Years**
- (21) Appl. No.: **29/277,049**
- (22) Filed: **Feb. 12, 2007**

- (51) **LOC (8) Cl.** **13-03**
- (52) **U.S. Cl.** **D13/168**
- (58) **Field of Classification Search** D13/168;
D10/104, 106; D14/218, 247; 340/825.22,
340/825.24, 825.25, 825.31, 825.36, 825.69,
340/825.72; 341/20, 22, 23, 34, 176; 345/169;
348/734; 455/92, 95, 100, 128, 151.1–151.4,
455/352–355; 463/39; 700/17, 19, 20, 65,
700/83; 701/2

See application file for complete search history.

(56) **References Cited**

U.S. PATENT DOCUMENTS

- 6,111,964 A * 8/2000 Ishibashi 381/86
- D473,526 S * 4/2003 Israel et al. D13/168
- D506,260 S * 6/2005 Ryan D24/186

- D551,660 S * 9/2007 Francz et al. D14/218
- 2005/0168373 A1 * 8/2005 Mukaida 341/176
- 2007/0050061 A1 * 3/2007 Klein et al. 700/94
- 2007/0100509 A1 * 5/2007 Piekarz 701/1

* cited by examiner

Primary Examiner—Selina Sikder

(74) *Attorney, Agent, or Firm*—Kevin E. West; Samuel M. Korte

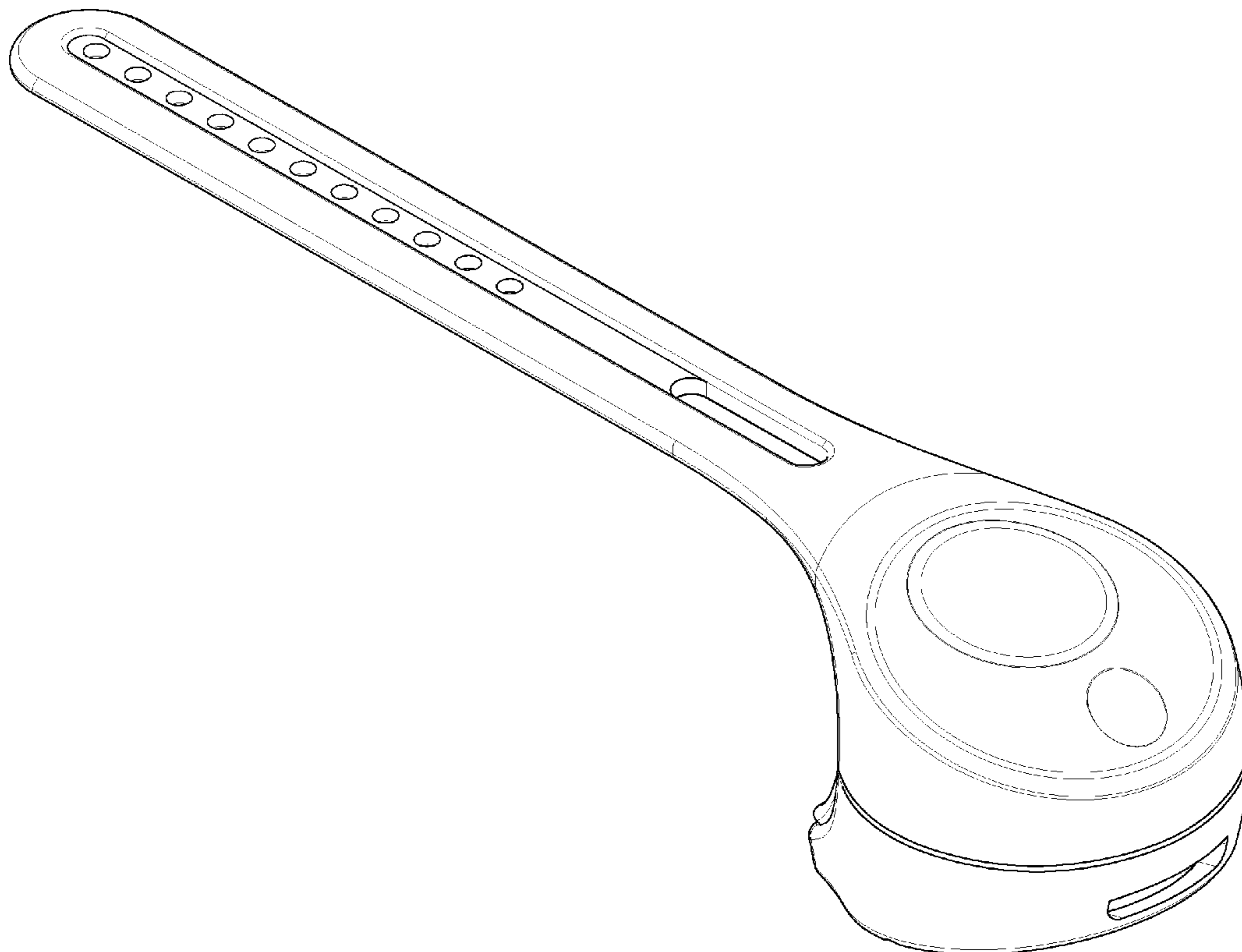
(57) **CLAIM**

The ornamental design for a remote control unit for a navigation device, as shown and described.

DESCRIPTION

- FIG. 1 is a front isometric view of a remote control unit for a navigation device according to the present invention;
- FIG. 2 is a rear isometric view thereof;
- FIG. 3 is a front isometric view thereof;
- FIG. 4 is a rear isometric view thereof;
- FIG. 5 is a top plan view thereof;
- FIG. 6 is a right side elevational view thereof;
- FIG. 7 is a bottom plan view thereof the broken lines represent unclaimed subject matter;
- FIG. 8 is a front elevational view thereof; and,
- FIG. 9 is a rear elevational view thereof.

1 Claim, 4 Drawing Sheets



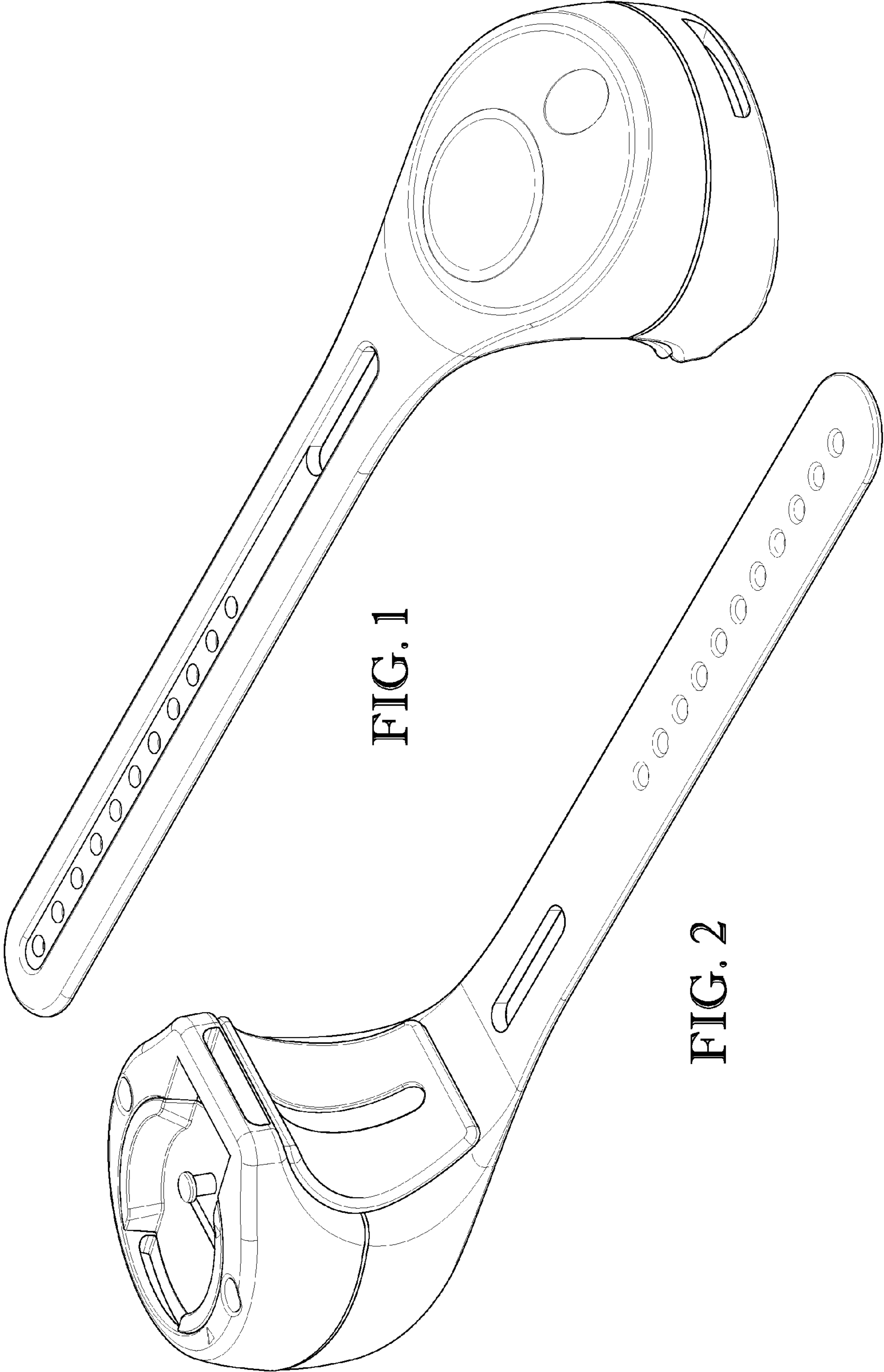


FIG. 1

FIG. 2

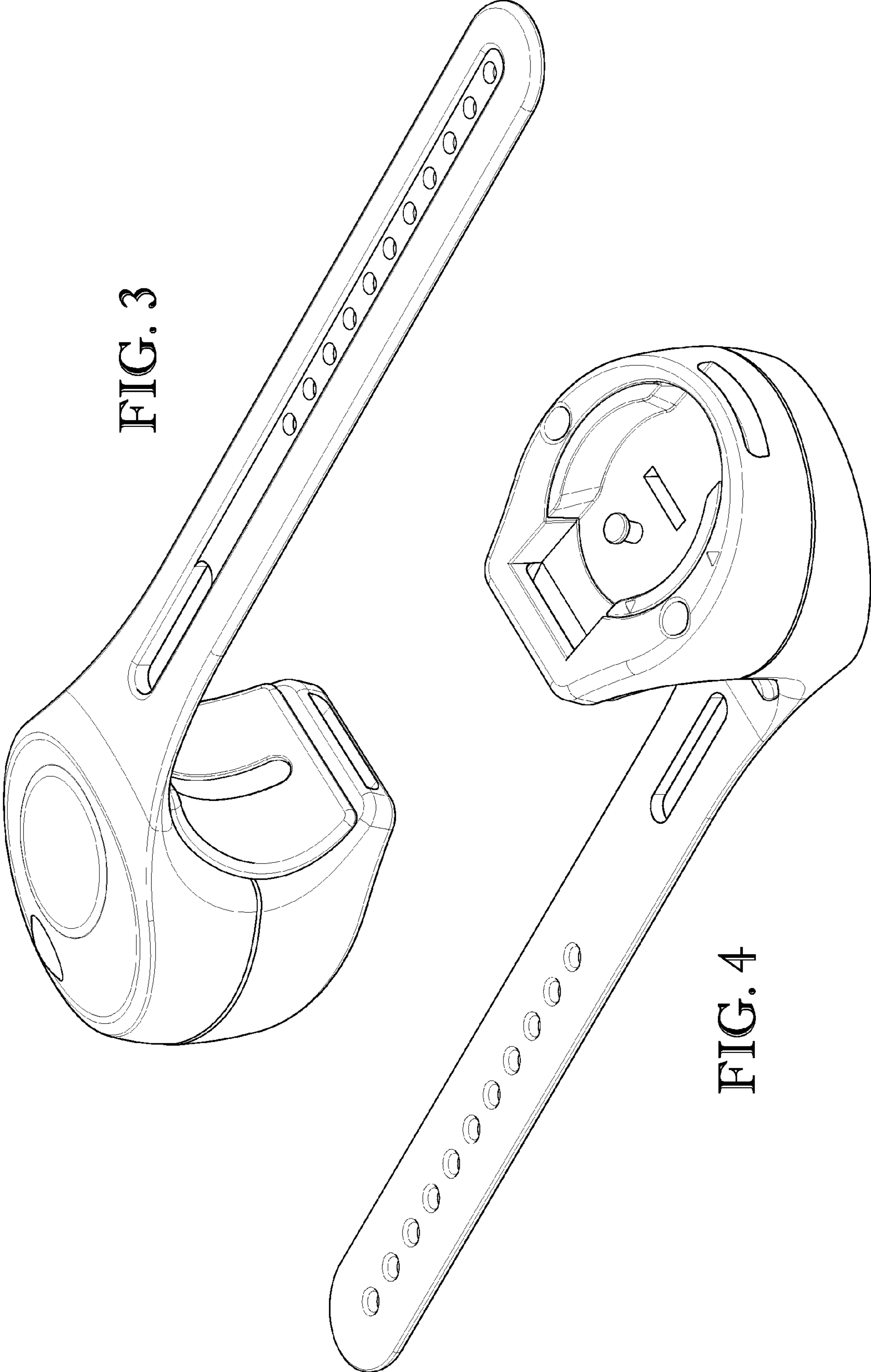


FIG. 3

FIG. 4

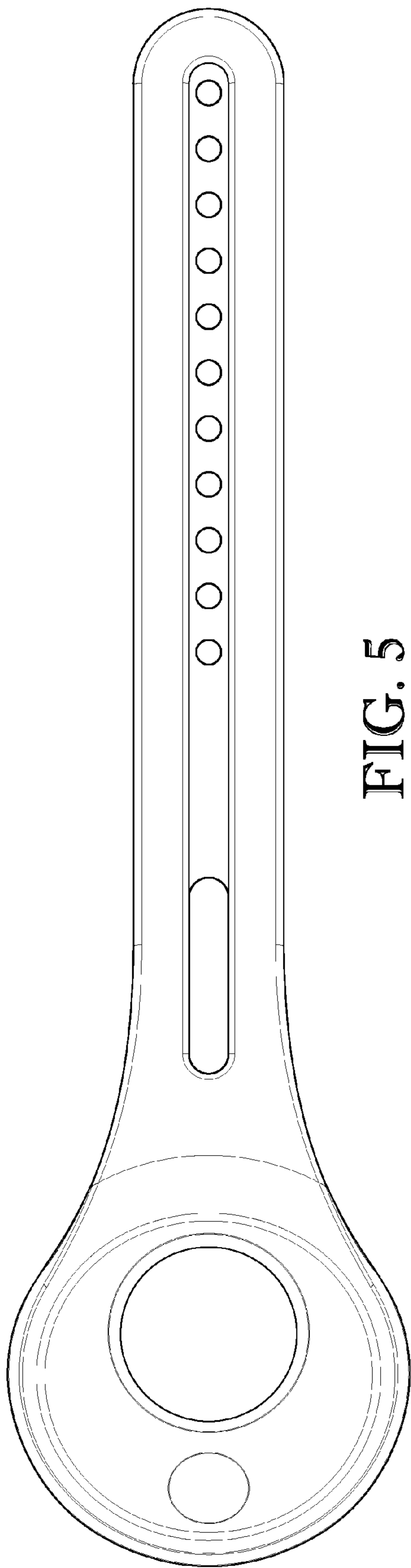


FIG. 5

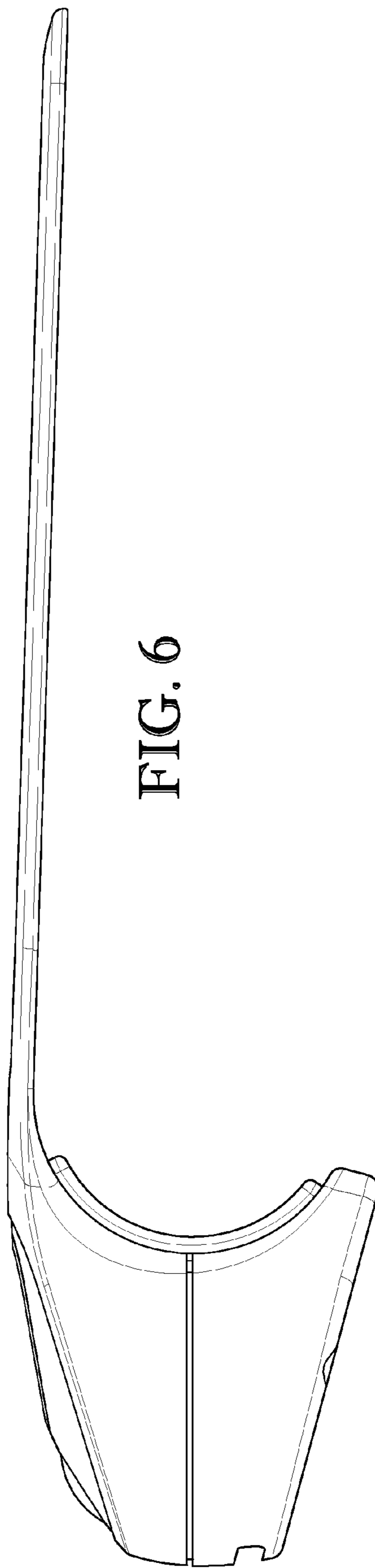


FIG. 6

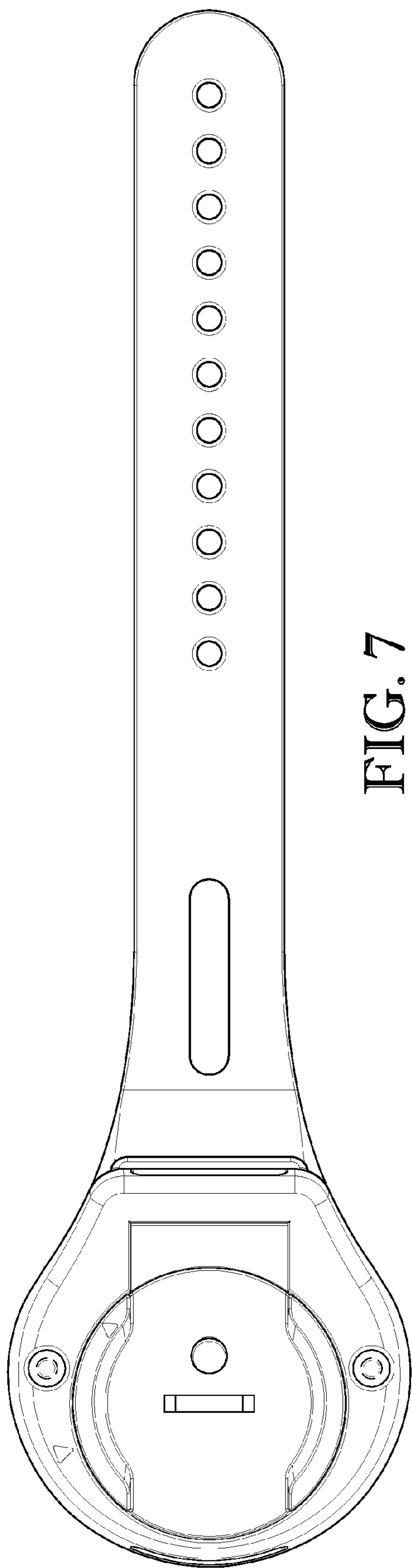


FIG. 7

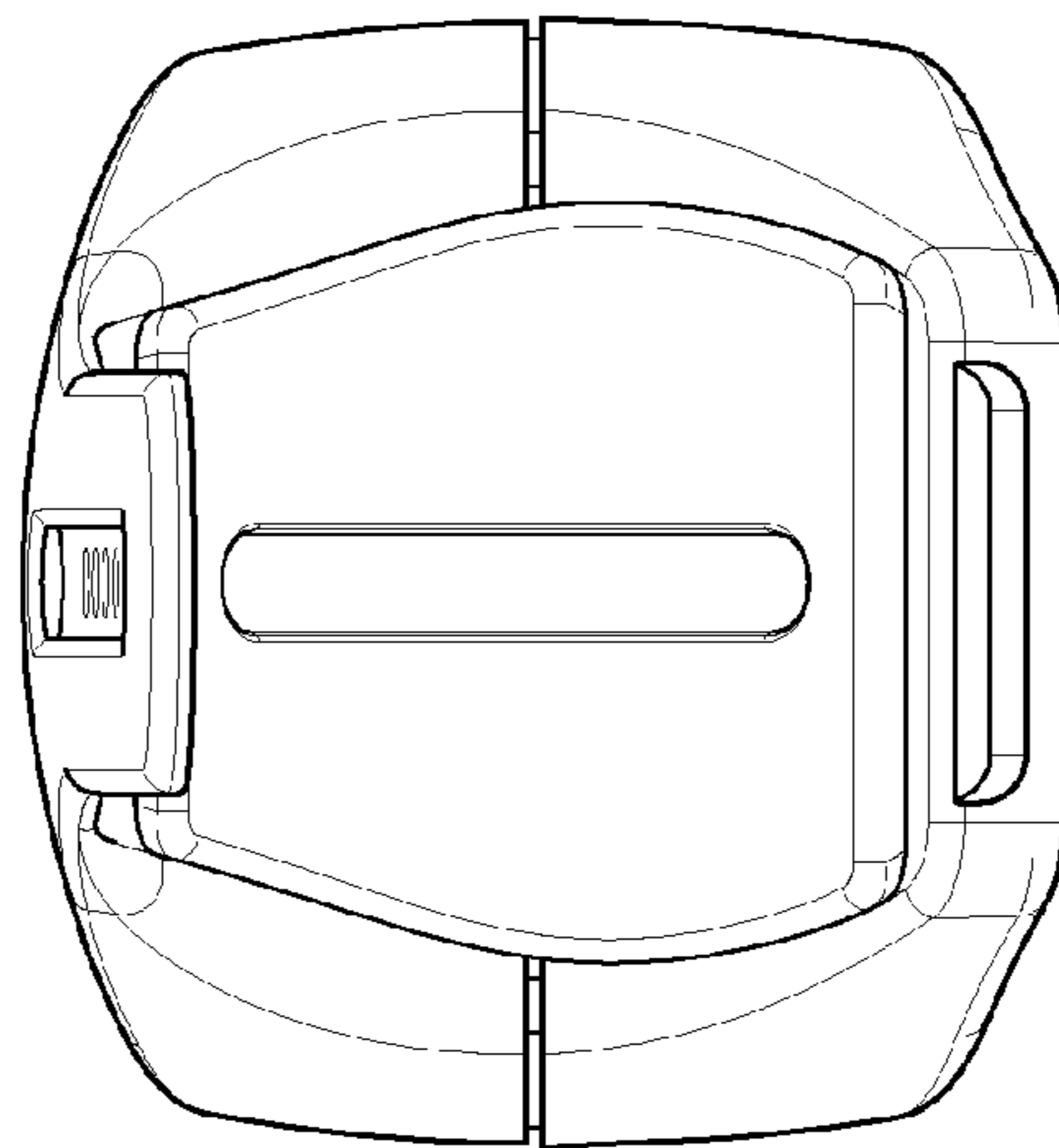


FIG. 9

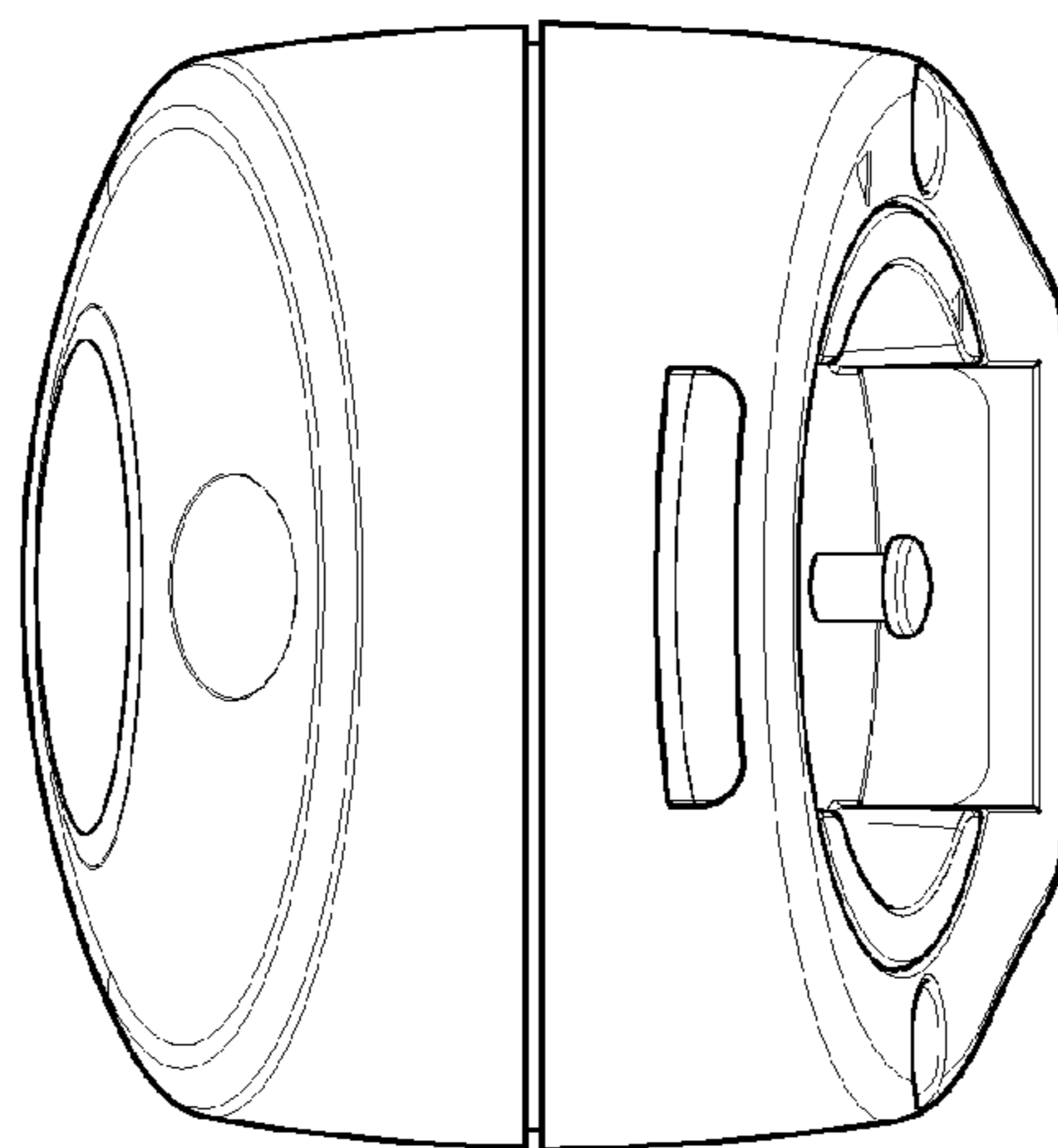


FIG. 8