



US00D573537S

(12) **United States Design Patent**  
**Svoboda et al.**

(10) **Patent No.:** **US D573,537 S**

(45) **Date of Patent:** **\*\* Jul. 22, 2008**

(54) **ELECTRICAL SOCKET**

D528,983 S \* 9/2006 Solida ..... D13/146  
D530,676 S \* 10/2006 Schemm et al. .... D13/149

(75) Inventors: **Paul Svoboda**, Emporia, KS (US);  
**Jimmie Barnes, Jr.**, Emporia, KS (US)

\* cited by examiner

(73) Assignee: **Hopkins Manufacturing Corporation**,  
Emporia, KS (US)

*Primary Examiner*—Daniel D Bui

*Assistant Examiner*—Thomas J Johannes

(74) *Attorney, Agent, or Firm*—George R. McGuire; Bond  
Schoeneck & King, PLLC

(\*\*) Term: **14 Years**

(21) Appl. No.: **29/284,733**

(57) **CLAIM**

(22) Filed: **Sep. 14, 2007**

The ornamental design for an electrical socket, shown and described.

(51) **LOC (8) Cl.** ..... **13-03**

(52) **U.S. Cl.** ..... **D13/133**

(58) **Field of Classification Search** ..... D13/123,  
D13/133, 146, 147, 154, 184, 199; 439/34–36,  
439/136, 138, 142, 278, 374, 527  
See application file for complete search history.

**DESCRIPTION**

FIG. 1 is a perspective view of an electric socket, with an incorporated LED window, showing our new design;

FIG. 2 is a top plan view thereof;

FIG. 3 is a bottom plan view thereof;

FIG. 4 is a first side elevation view thereof;

FIG. 5 is a second side elevation view thereof;

FIG. 6 is a third side elevation view thereof; and,

FIG. 7 is a fourth side elevation view thereof.

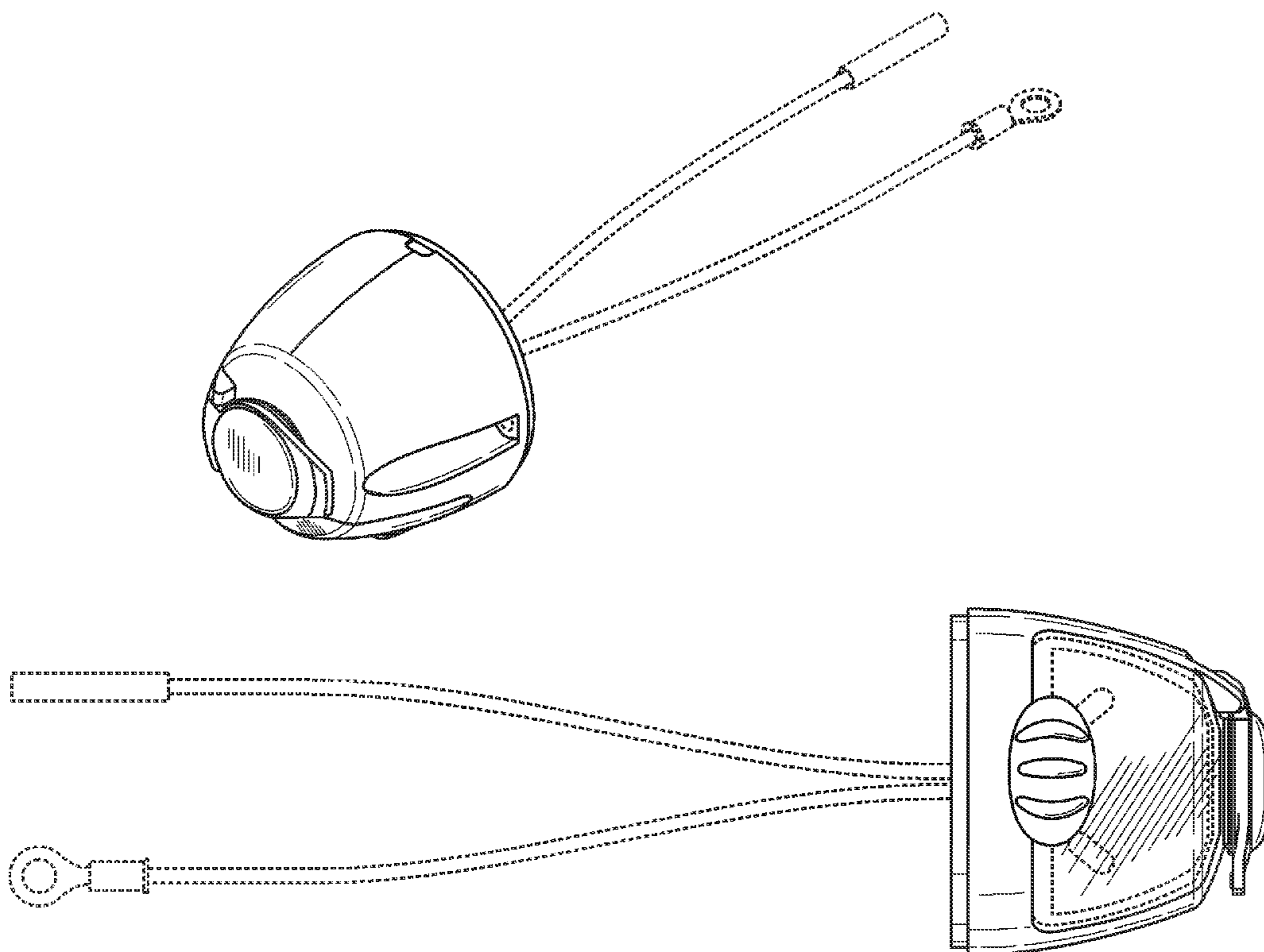
Those elements shown in phantom lines in the drawings are for environmental purposes only and form no part of the claimed invention.

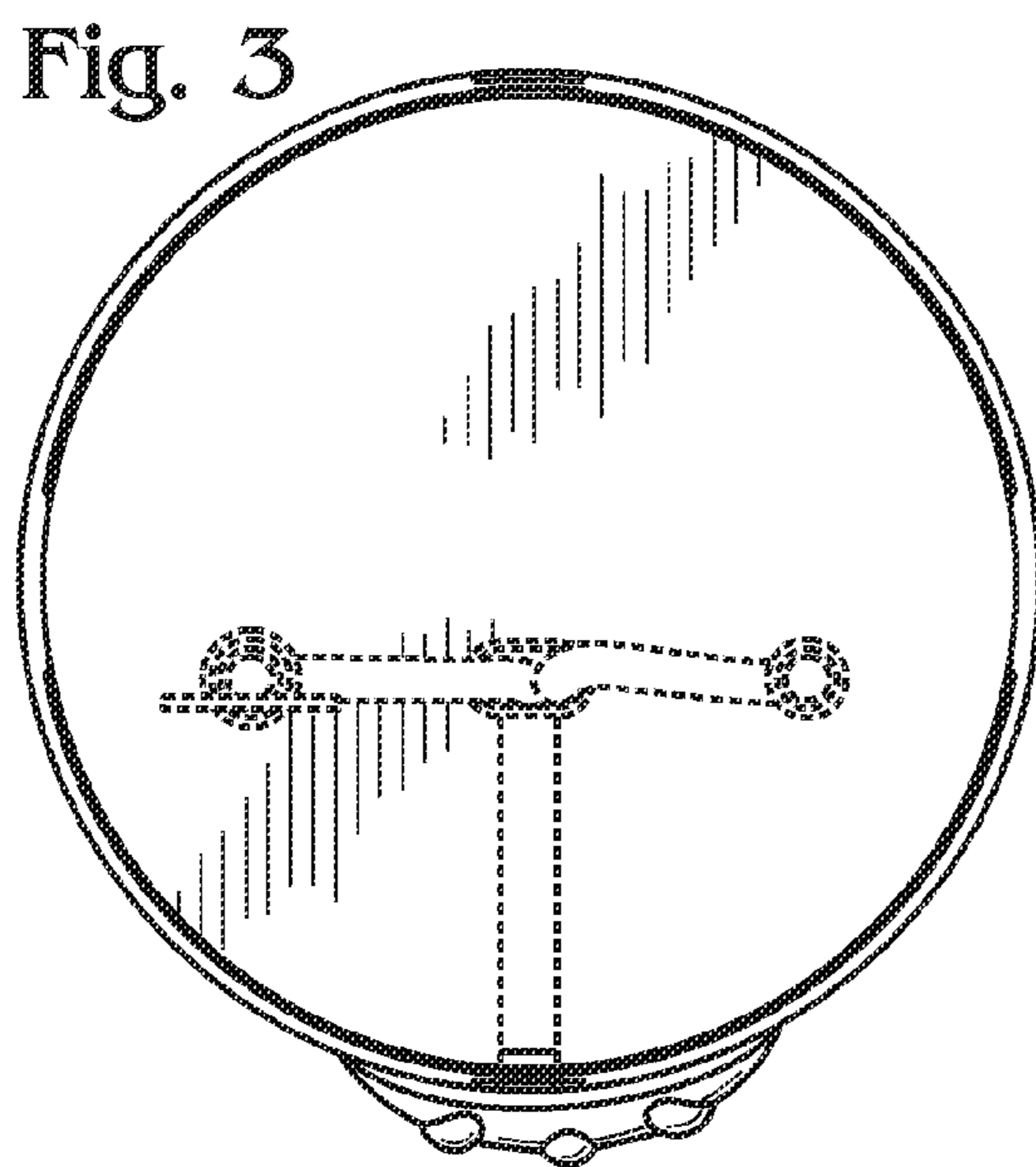
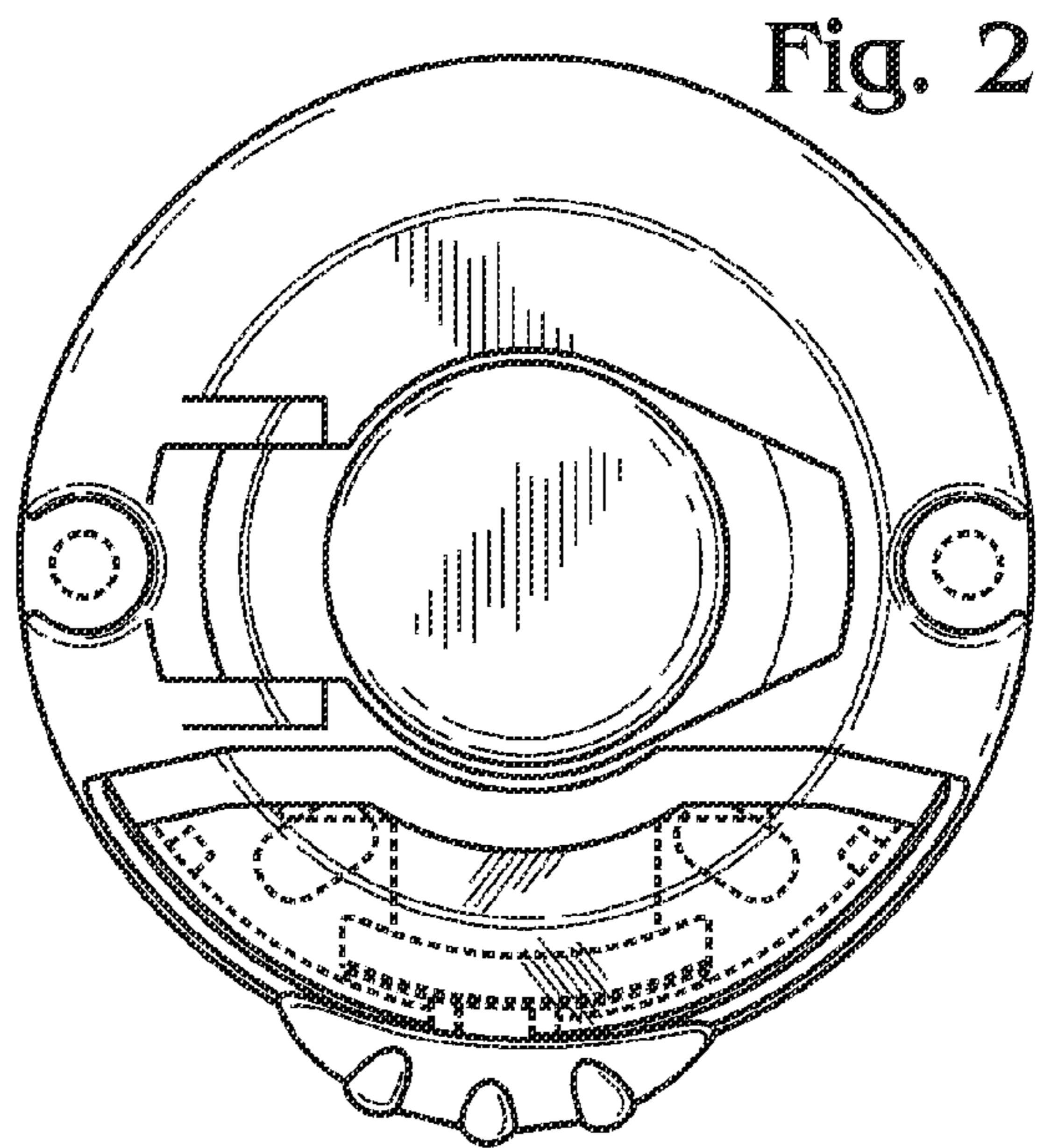
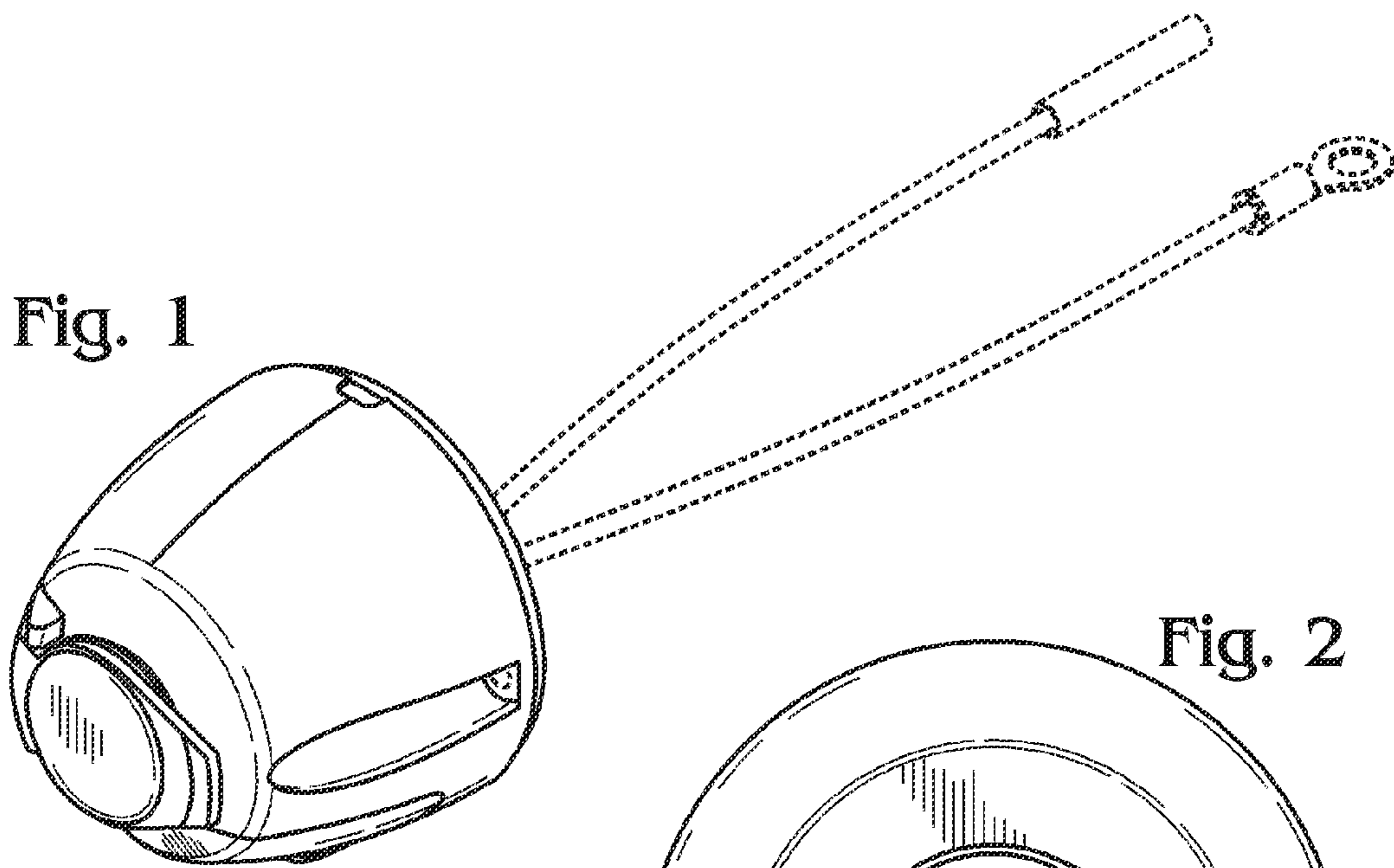
(56) **References Cited**

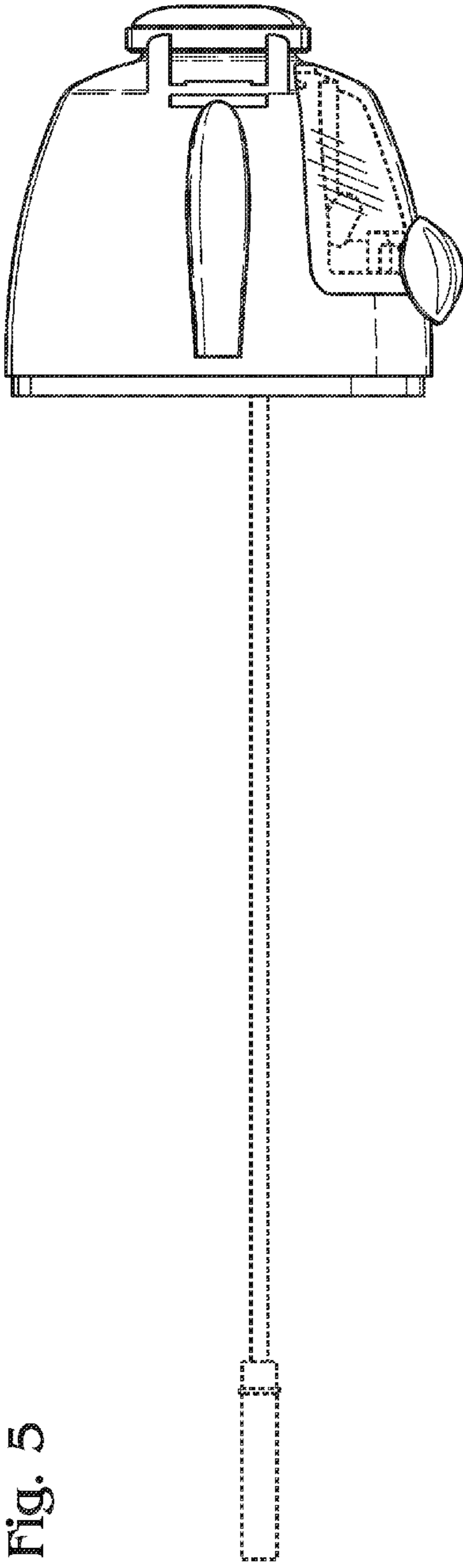
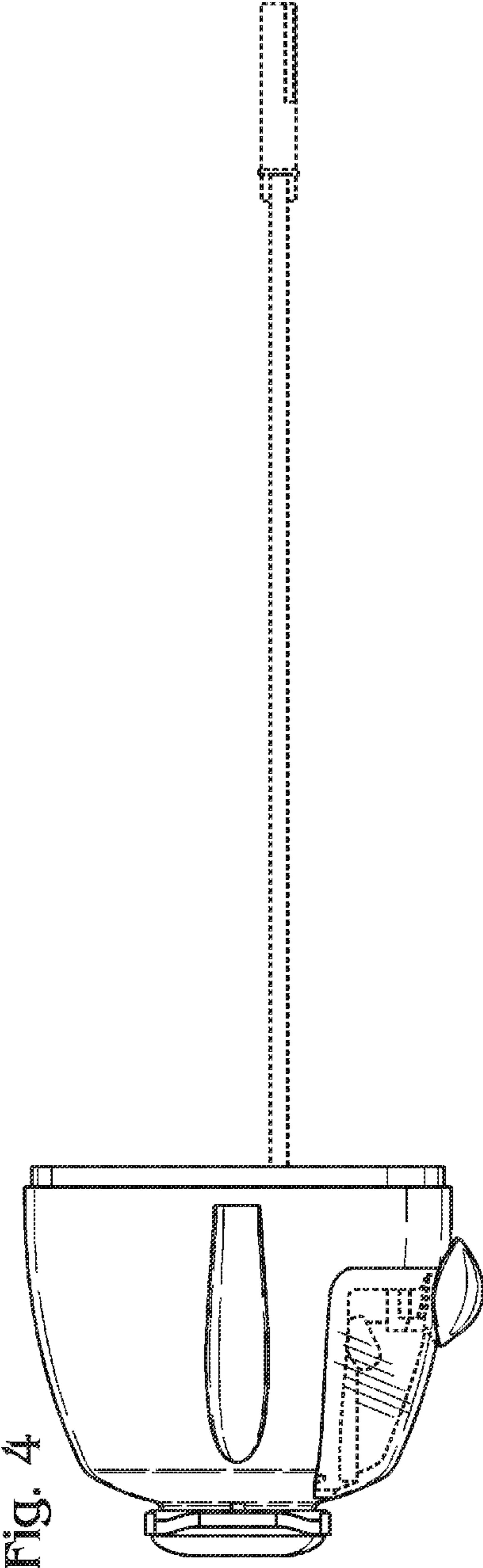
U.S. PATENT DOCUMENTS

1,388,645	A *	8/1921	Hjorth	.....	439/753
D82,351	S *	10/1930	Sirwell	.....	D13/150
2,663,007	A *	12/1953	Diessl	.....	439/284
D233,992	S *	12/1974	Marr et al.	.....	D13/150
D340,443	S *	10/1993	Schwalm	.....	D13/199
D374,659	S *	10/1996	Ramsey, Jr.	.....	D13/199
D405,056	S *	2/1999	Lee	.....	D13/154
D418,814	S *	1/2000	Byrne	.....	D13/146

**1 Claim, 3 Drawing Sheets**







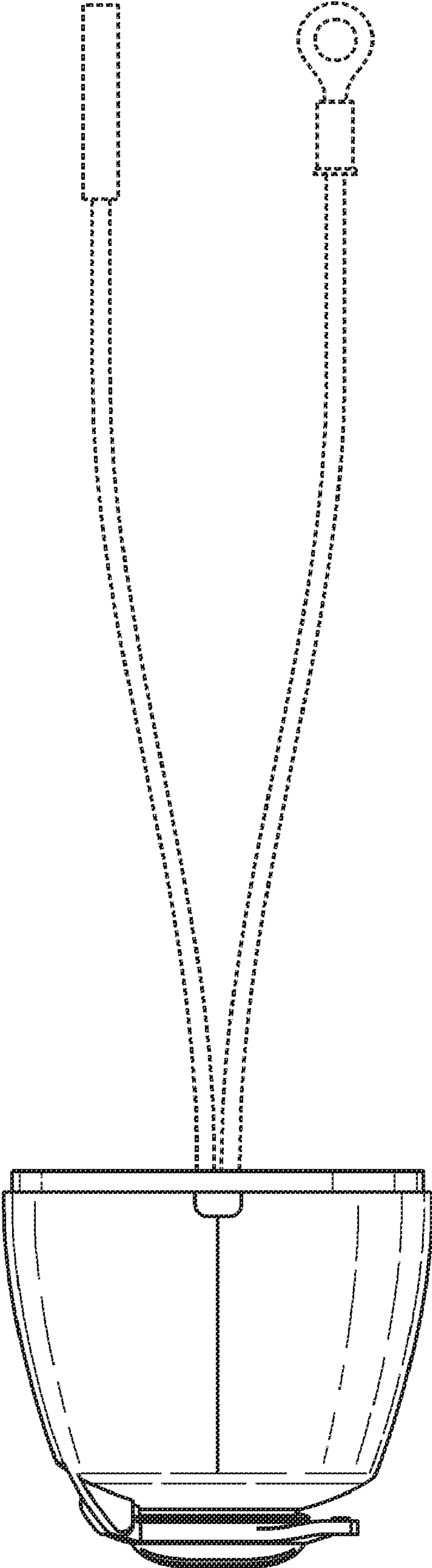


Fig. 6

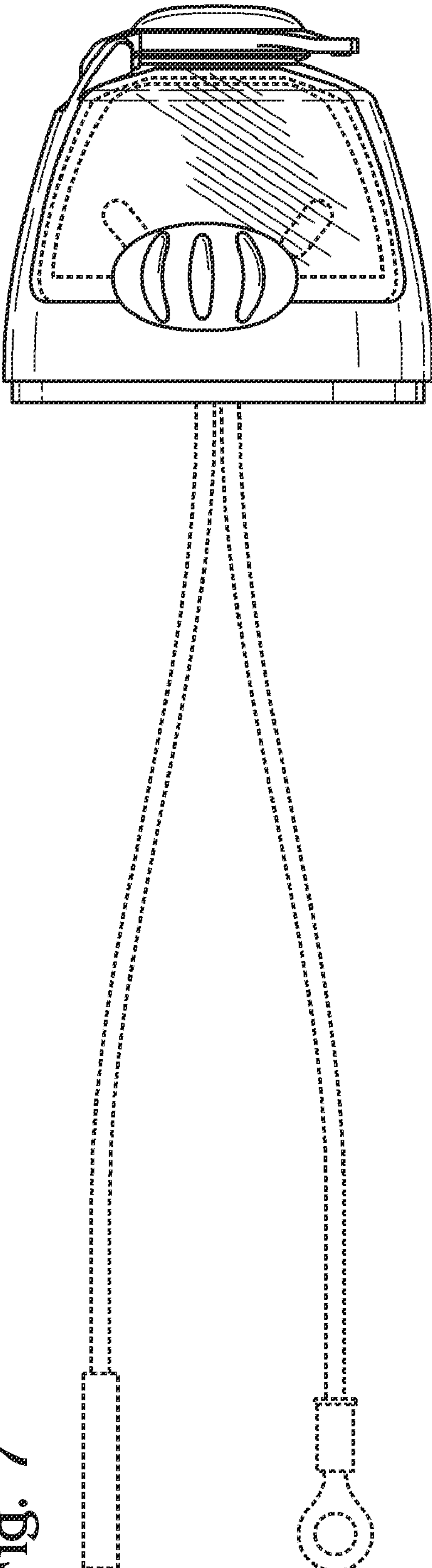


Fig. 7