



US00D573536S

(12) **United States Design Patent**  
**Hariharesan et al.**

(10) **Patent No.:** **US D573,536 S**  
(45) **Date of Patent:** **\*\* Jul. 22, 2008**

(54) **ELECTRICAL CONNECTOR**

D326,642 S \* 6/1992 Lowe ..... D13/138.1  
5,123,071 A \* 6/1992 Mulholland et al. .... 385/53  
5,293,581 A \* 3/1994 DiMarco ..... 385/76

(75) Inventors: **Seralaathan Hariharesan**, Flower Mound, TX (US); **Brock Dennison**, Lewisville, TX (US); **Jon Kenneth Lampert**, Garland, TX (US); **Michael S. Jenkins**, Fairview, TX (US); **Kent Poteet**, Lucas, TX (US); **Jaime Felix Barajas**, McKinney, TX (US)

(Continued)

**FOREIGN PATENT DOCUMENTS**

DE 704 450 3/1941  
EP 0 318 831 A2 6/1989  
FR 1036107 9/1953

(73) Assignee: **Traxxas LP**, Plano, TX (US)

**OTHER PUBLICATIONS**

(\*\*) Term: **14 Years**

Clarke, Brooke; "Power Pole" web page article; Brooke Clarke, Ukiah CA, U.S.A., 2003-2006.  
Anderson Power Products; "PP15 Powerpole Connector" data sheet; Anderson Power Products, Sterling, MA U.S.A.

(21) Appl. No.: **29/279,011**

(22) Filed: **Apr. 17, 2007**

(Continued)

(51) **LOC (8) Cl.** ..... **13-03**

*Primary Examiner*—Daniel D Bui

(52) **U.S. Cl.** ..... **D13/133; D13/154**

*Assistant Examiner*—Thomas J Johannes

(58) **Field of Classification Search** ..... D13/131-133, D13/134, 137.1, 138.1, 139.1, 146-147, 149, D13/154, 184, 199; 439/63, 115, 161, 284, 439/293, 295, 342, 352, 507, 678, 692, 701, 439/825, 839, 851, 854-857; 174/58; 428/35.7  
See application file for complete search history.

(74) *Attorney, Agent, or Firm*—Carr LLP

(57) **CLAIM**

The ornamental design for an electrical connector, as shown and described.

(56) **References Cited**

**DESCRIPTION**

**U.S. PATENT DOCUMENTS**

2,121,338 A 6/1938 Chirelstein  
2,203,122 A 6/1940 Anderson  
2,838,739 A 6/1958 Winkler  
3,091,746 A 5/1963 Winkler  
3,145,067 A 8/1964 Mishevich et al.  
3,218,599 A 11/1965 Winkler  
3,233,211 A 2/1966 Smith  
3,259,870 A 7/1966 Winkler  
3,794,957 A \* 2/1974 Winkler ..... 439/295  
4,018,497 A 4/1977 Bulanchuk  
4,083,617 A 4/1978 Wyatt  
D258,429 S \* 3/1981 Buckler ..... D13/138.1  
4,342,498 A 8/1982 Patton et al.  
4,630,876 A 12/1986 Grunberg et al.  
4,846,729 A 7/1989 Hikami et al.  
4,990,099 A 2/1991 Marin et al.

FIG. 1 is a perspective view of an electrical connector taken from the front, top and left;

FIG. 2 is a perspective view thereof taken from the rear, bottom and right;

FIG. 3 is a front elevation view thereof;

FIG. 4 is a rear elevation view thereof;

FIG. 5 is a top plan view thereof;

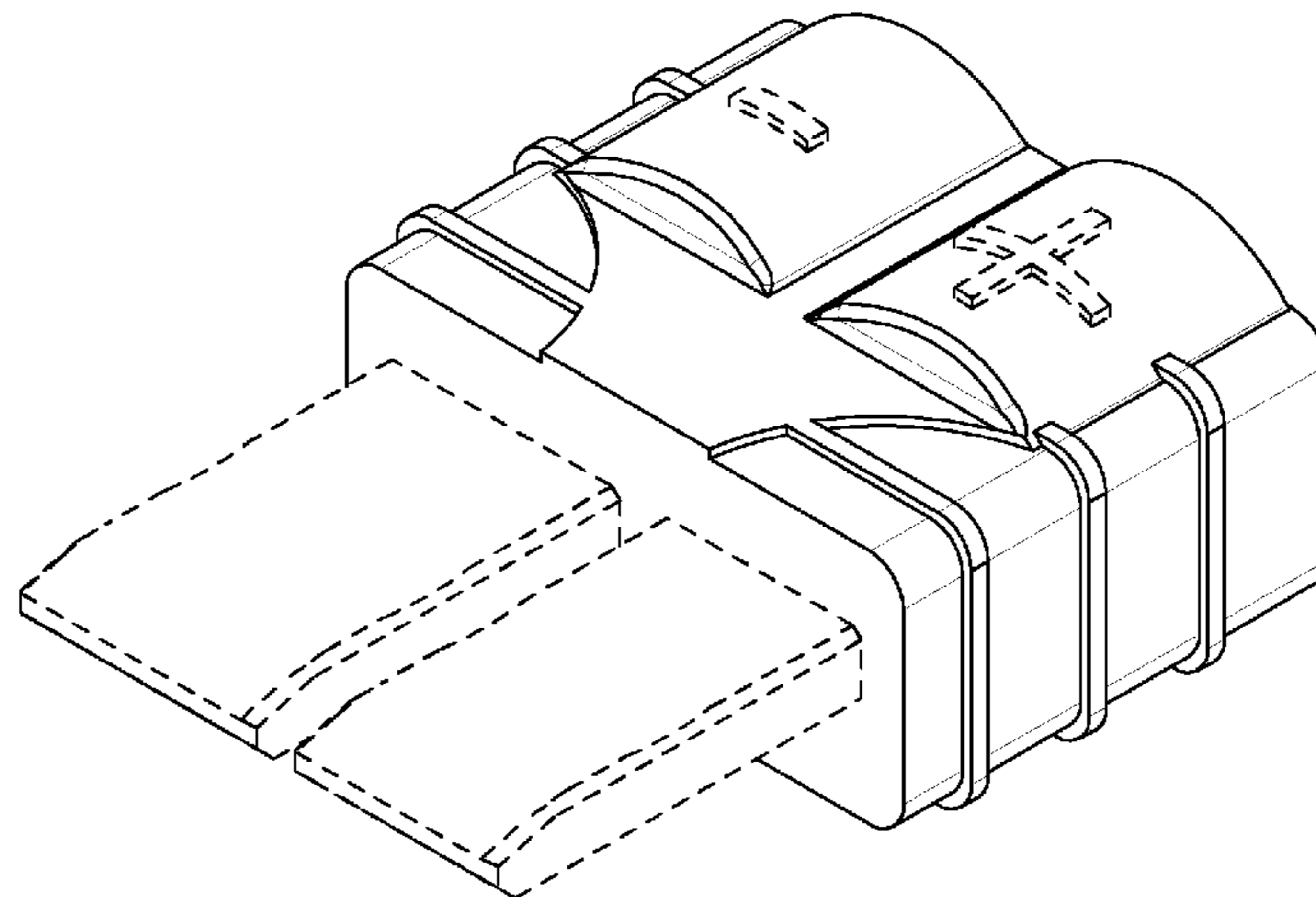
FIG. 6 is a bottom plan view thereof;

FIG. 7 is a left side elevation view thereof; and,

FIG. 8 is a right side elevation view thereof.

The broken lines in the drawings are for illustrative purposes only and form no part of the claimed design.

**1 Claim, 4 Drawing Sheets**



U.S. PATENT DOCUMENTS

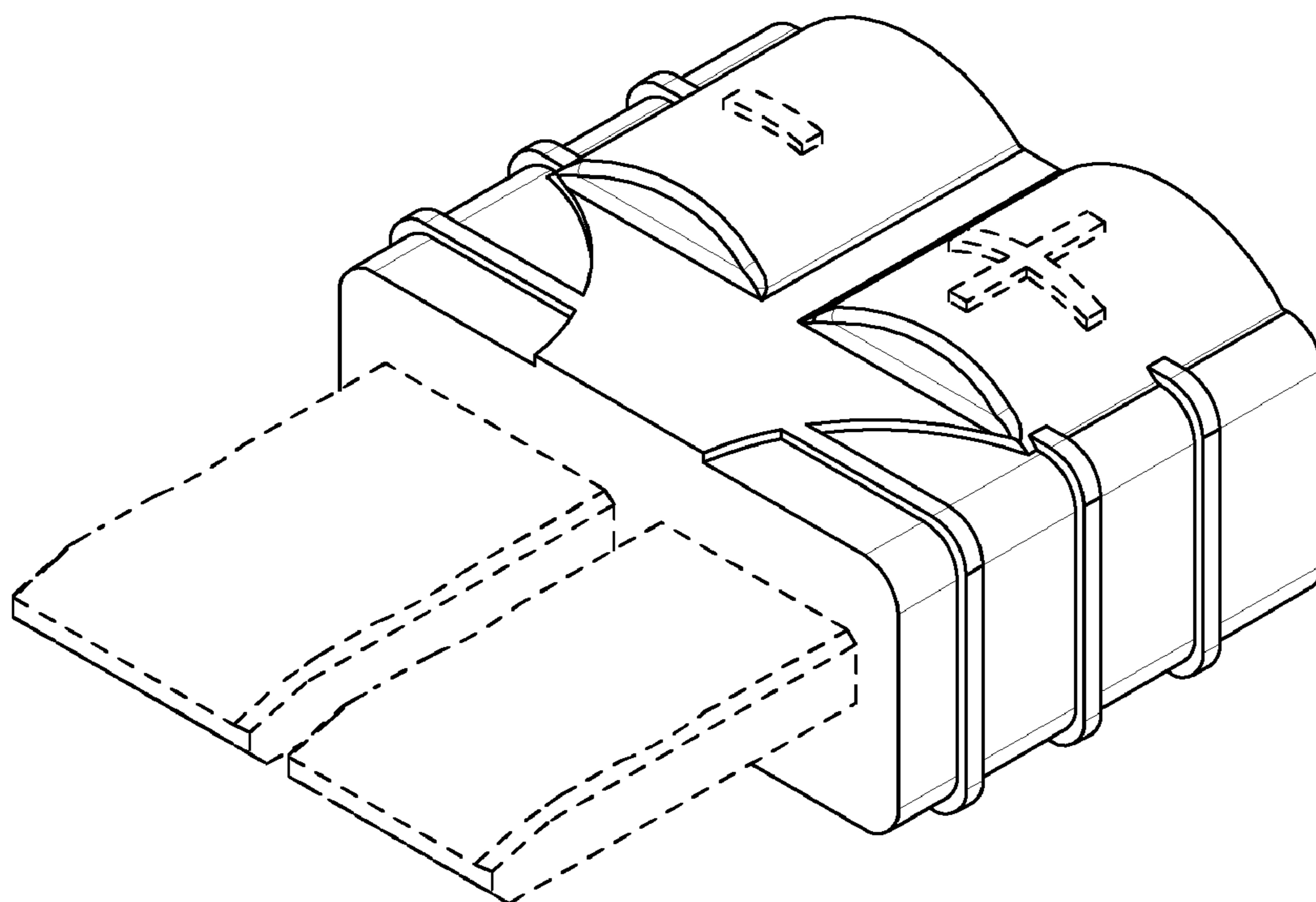
5,533,915 A 7/1996 Deans  
5,575,674 A 11/1996 Davis et al.  
5,748,821 A \* 5/1998 Schempp et al. .... 385/76  
D430,542 S \* 9/2000 Hoferitza et al. .... D13/154  
6,268,564 B1 7/2001 Miyakoshi  
D467,553 S \* 12/2002 Cheng ..... D13/154  
6,488,546 B2 12/2002 Sakurai et al.  
6,619,995 B1 9/2003 Hayashi et al.  
6,619,996 B2 9/2003 Hara et al.  
6,623,309 B2 9/2003 Sakurai et al.  
6,645,003 B2 11/2003 Yoshida et al.  
7,004,795 B2 2/2006 Mancini et al.

OTHER PUBLICATIONS

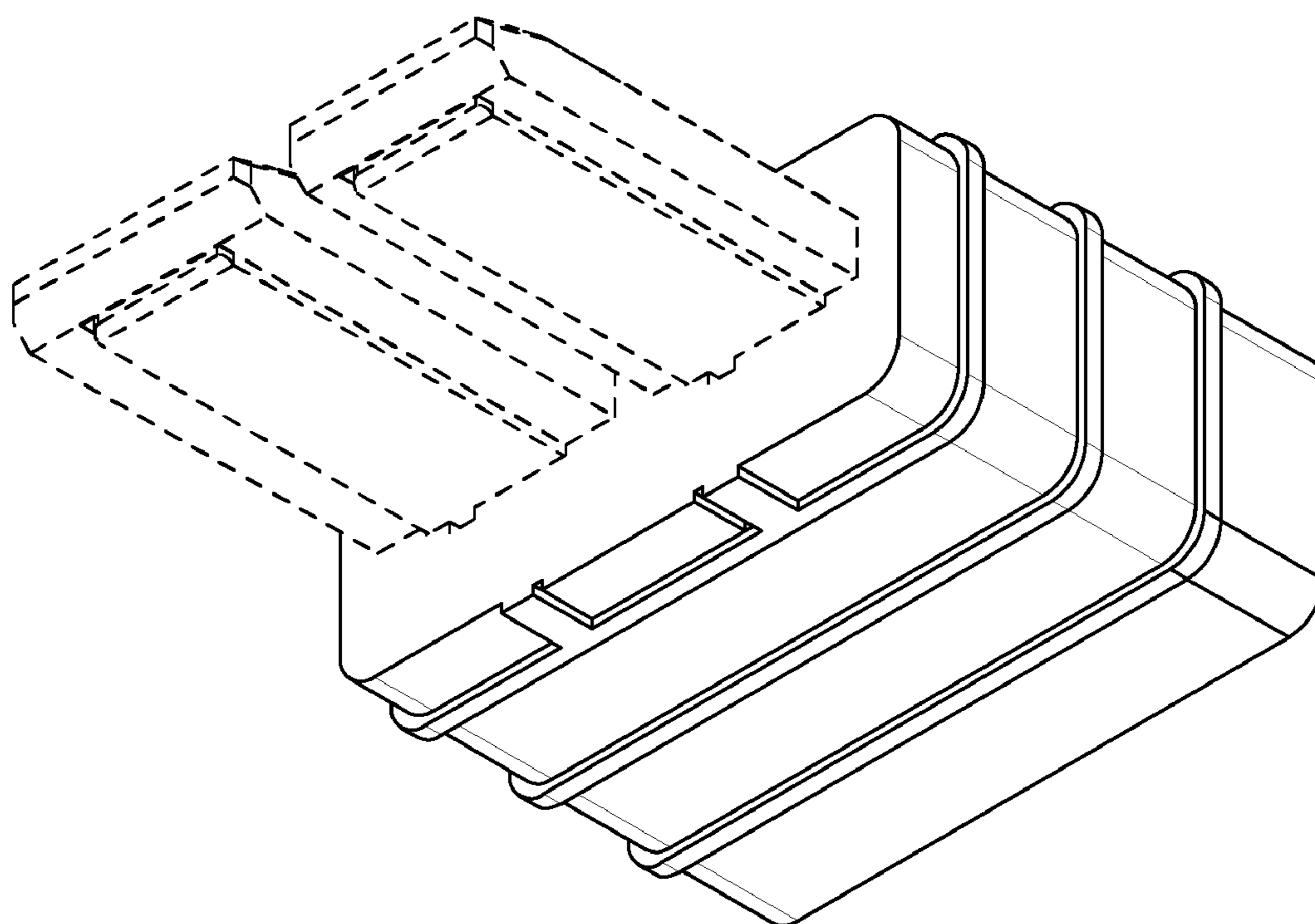
Anderson Power Products, "SB Connector Family" data sheet; Anderson Power Products, Sterling, MA, U.S.A.  
Anderson Power Products; "SB 50 Connector" data sheet; Anderson Power Products, Sterling, MA, U.S.A.  
Anderson Power Products; "SBS 50 Connector" data sheet; Anderson Power Products, Sterling, MA, U.S.A.

Horizon Hobby; "E-flite EC3 Device & Battery Connector, Male-Female" web page; Horizon Hobby, Inc., Champaign, IL, U.S.A. 2006.  
Tyco Electronics, "Hot Plug, High Current Dual Crown Clip Socket Connector" Elcon Products International Co., Fremont, CA U.S.A. 2000.  
McMaster-Carr; "Quick-Disconnect Terminals" catalog p. 724; McMaster-Carr Supply Co.  
Molex; "Standard .093" web pages; Molex, Lisle IL U.S.A.  
Hyperphysics, "Household Wiring—Polarized Receptacles" web page article; <http://hyperphysics.phyastr.gsu.edu/hbase/electrical/hsehld.html>.  
Traxxas; "Revo transmission" illustration ( 1 page); Traxxas LP, Plano TX U.S.A.  
Deans; "Ultra Plug" photographs (3 pages); Wm. F. Deans, Paramount CA U.S.A.  
Molex; "Standard .093" connector photographs (7 pages); Molex, Lisle IL U.S.A.  
"Standard 110V electrical plugs and receptacles" photographs (5 pages).

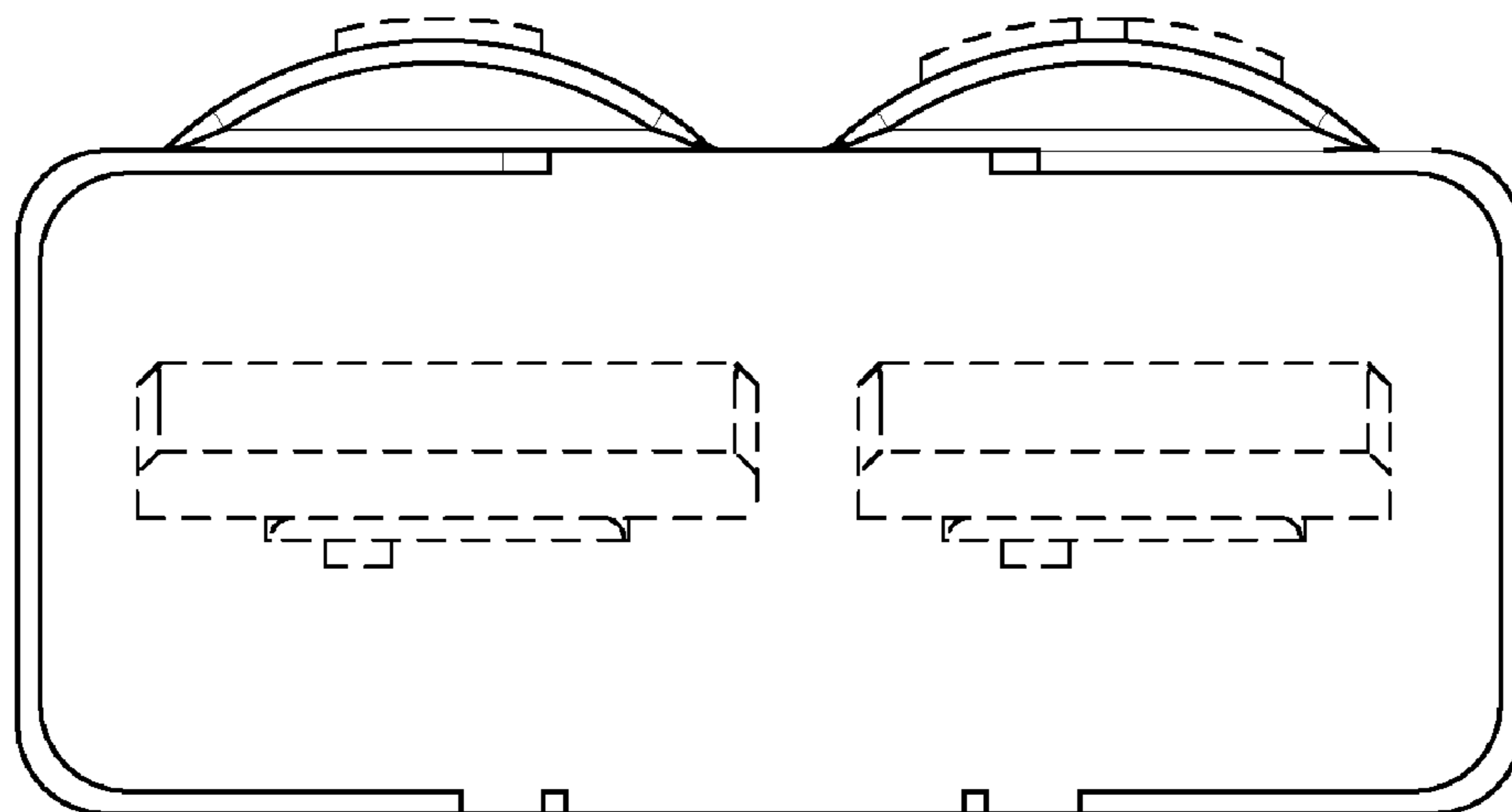
\* cited by examiner



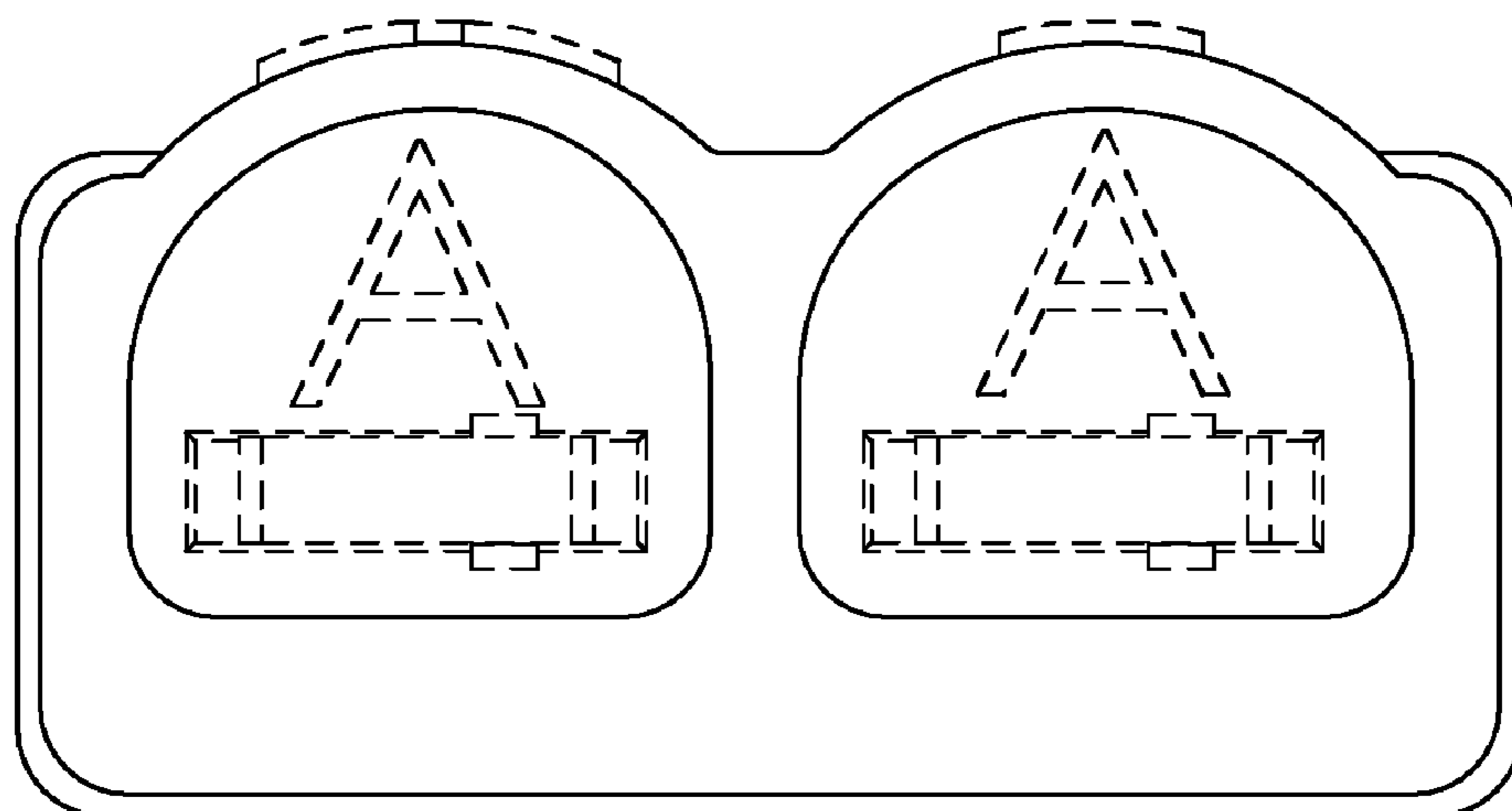
**FIG. 1**



**FIG. 2**

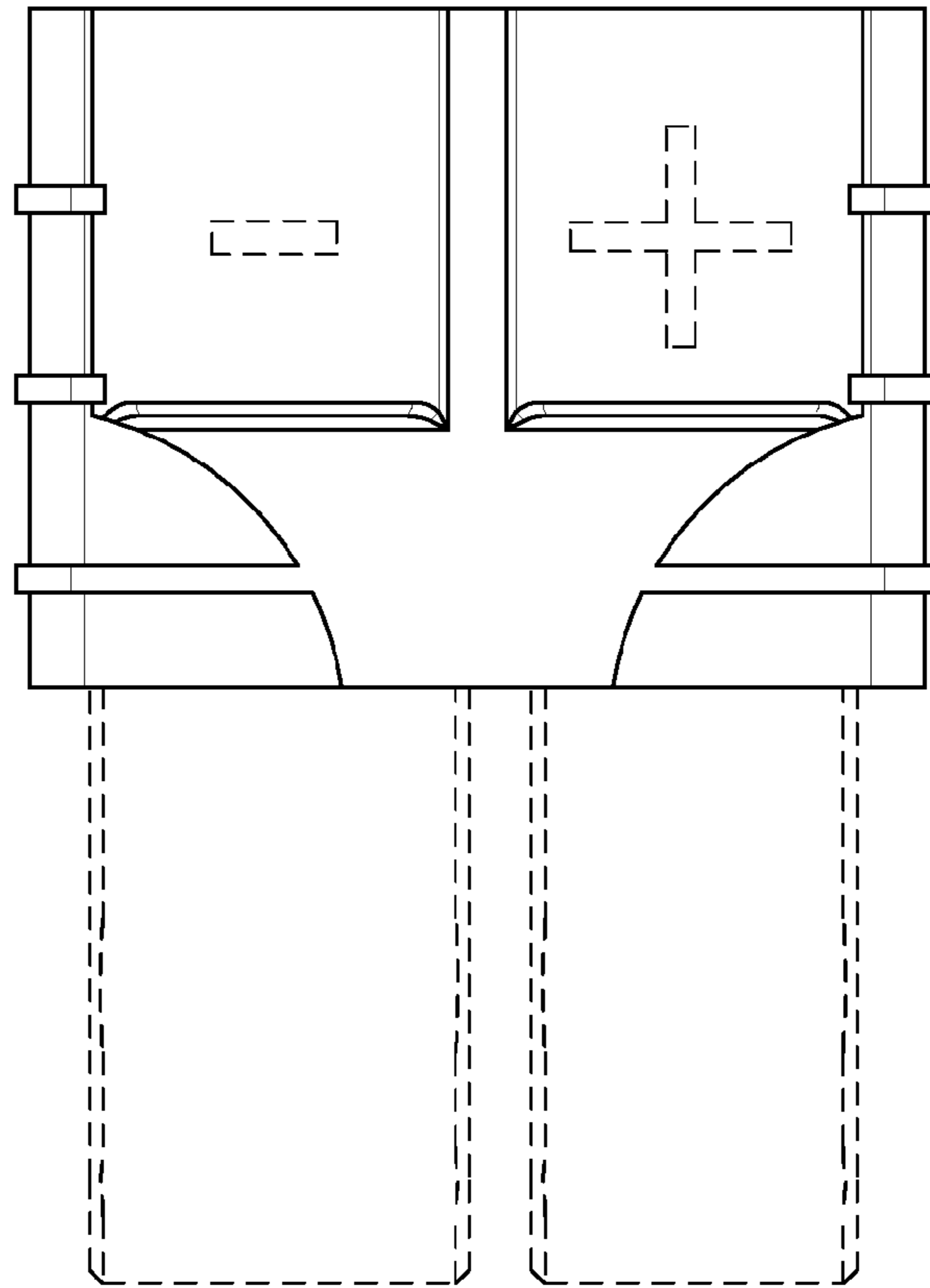


**FIG. 3**

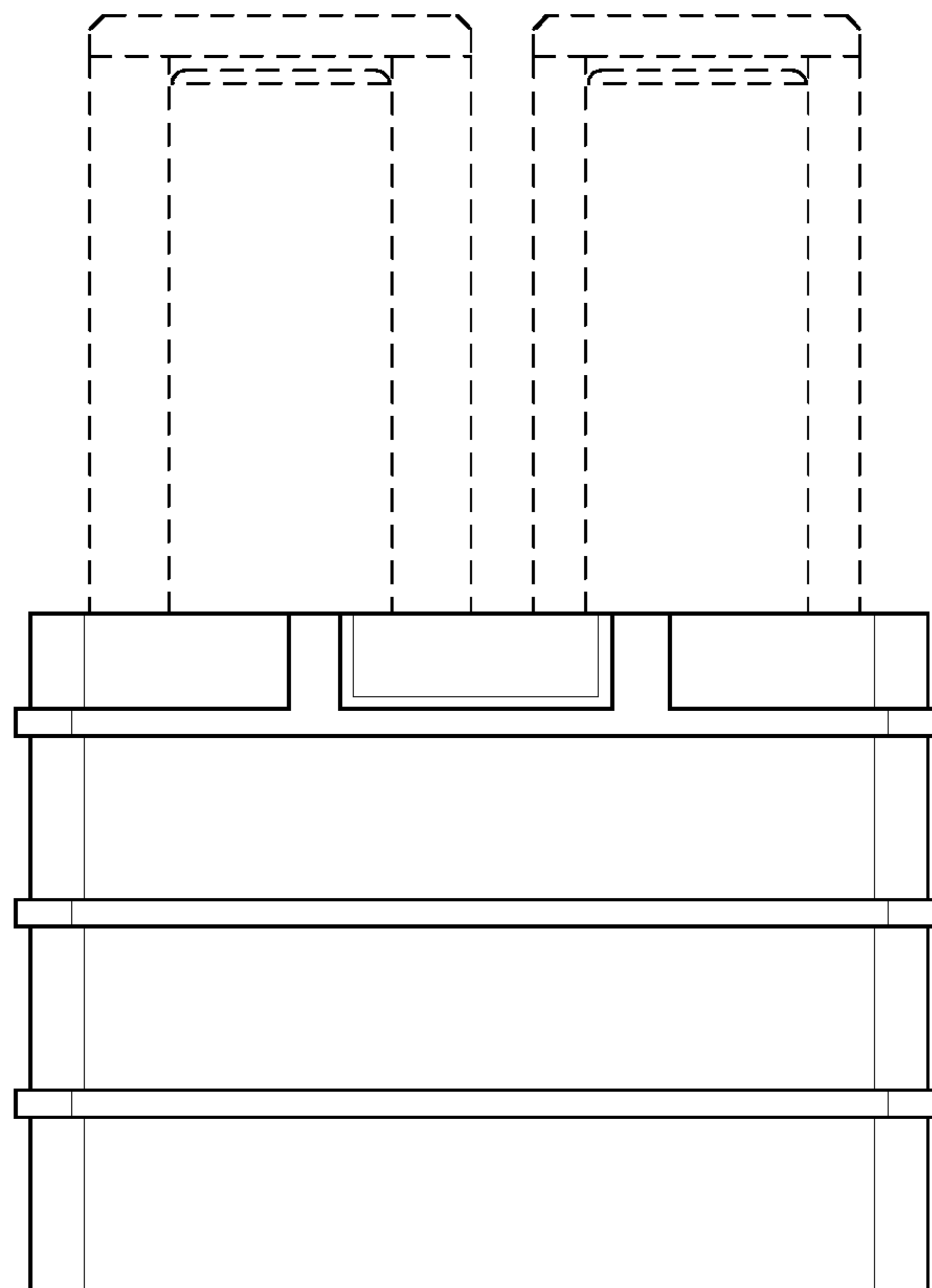


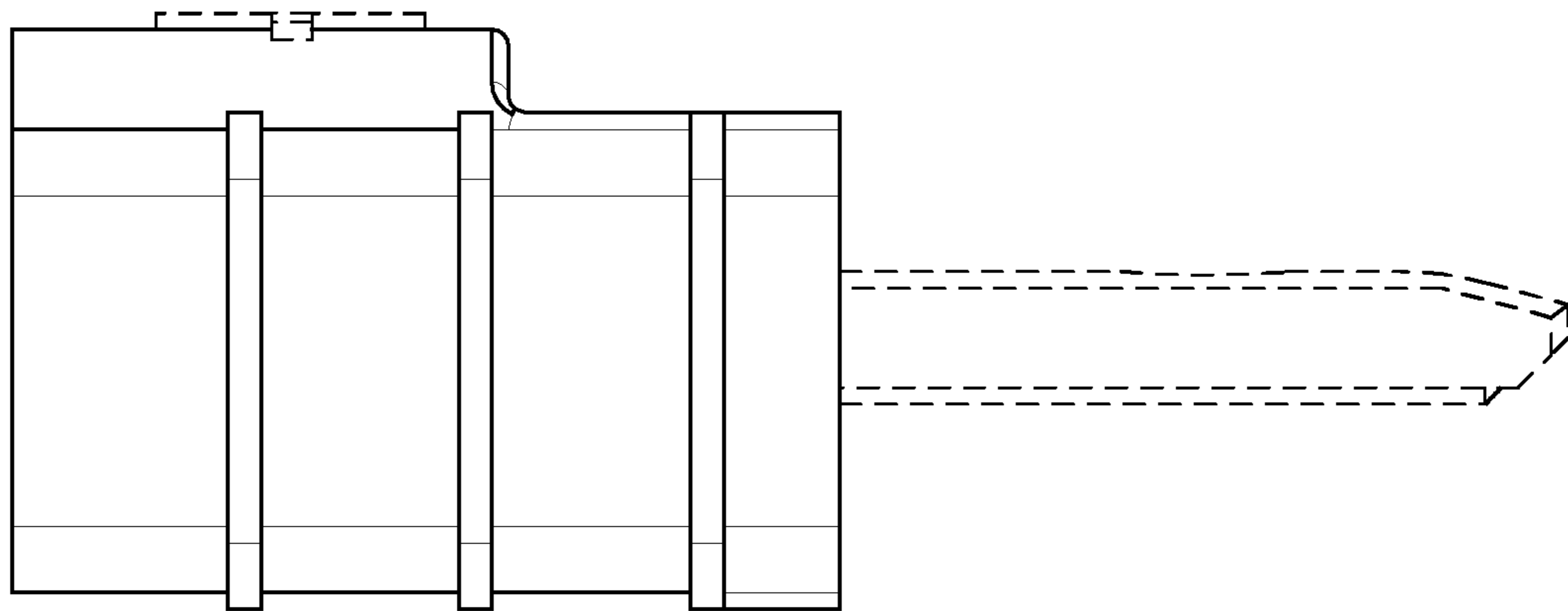
**FIG. 4**

**FIG. 5**

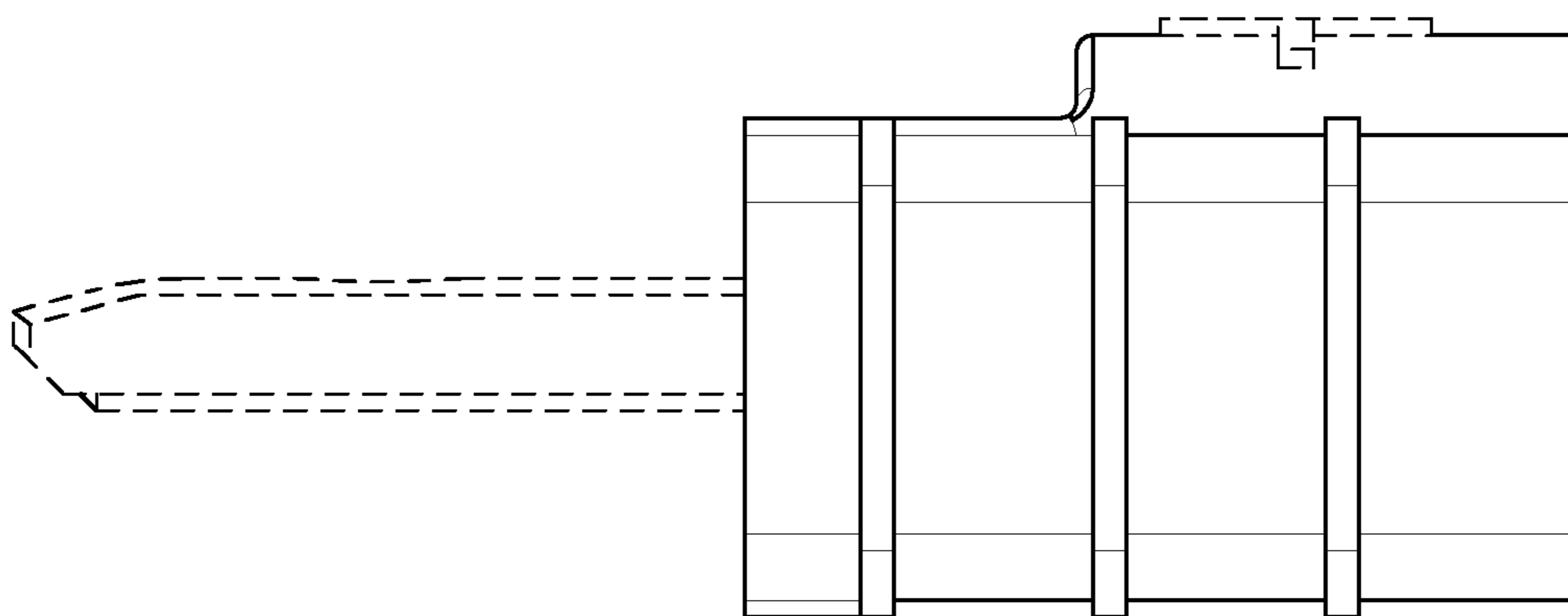


**FIG. 6**





**FIG. 7**



**FIG. 8**