



US00D573532S

(12) **United States Design Patent**  
**Yang**

(10) **Patent No.:** **US D573,532 S**  
(45) **Date of Patent:** **\*\* Jul. 22, 2008**

(54) **POWER ADAPTOR**

(76) Inventor: **Hsien-Lin Yang**, 6F., No. 3, Lane 68,  
San Min Road, Sung Shan District,  
Taipei City (TW)

(\*\*) Term: **14 Years**

(21) Appl. No.: **29/248,794**

(22) Filed: **Sep. 4, 2006**

(51) **LOC (8) Cl.** ..... **13-02**

(52) **U.S. Cl.** ..... **D13/110**

(58) **Field of Classification Search** ..... D13/110,  
D13/108, 123, 133, 137.1, 199; 174/53,  
174/54, 57, 59, 61; 307/150, 151; 320/111,  
320/114; 439/105, 166, 171-173, 218, 518,  
439/692, 956

See application file for complete search history.

(56) **References Cited**

**U.S. PATENT DOCUMENTS**

4,973,827	A *	11/1990	Nozaki	.....	219/521
D338,188	S *	8/1993	Lee et al.	.....	D13/110
5,613,863	A *	3/1997	Klaus et al.	.....	439/131
5,973,948	A *	10/1999	Hahn et al.	.....	363/146
D416,226	S *	11/1999	Lohrding et al.	.....	D13/110
6,086,395	A *	7/2000	Lloyd et al.	.....	439/172
D432,497	S *	10/2000	Totsuka et al.	.....	D13/110

D449,030	S *	10/2001	Baxter et al.	.....	D13/110
D452,842	S *	1/2002	Kajiwara et al.	.....	D13/110
D454,537	S *	3/2002	O'Connor et al.	.....	D13/110
D456,008	S *	4/2002	Kawanobe et al.	.....	D13/110
6,669,495	B2 *	12/2003	Philips et al.	.....	439/170
6,845,023	B2 *	1/2005	Philips et al.	.....	363/132

\* cited by examiner

*Primary Examiner*—Prabhakar Deshmukh

*Assistant Examiner*—Derrick Holland

(74) *Attorney, Agent, or Firm*—Leong C. Lei

(57) **CLAIM**

The ornamental design for a power adaptor, as shown and described.

**DESCRIPTION**

FIG. 1 is a perspective view of a power adaptor showing my new design;

FIG. 2 is a left side elevational view thereof;

FIG. 3 is right side elevational view thereof;

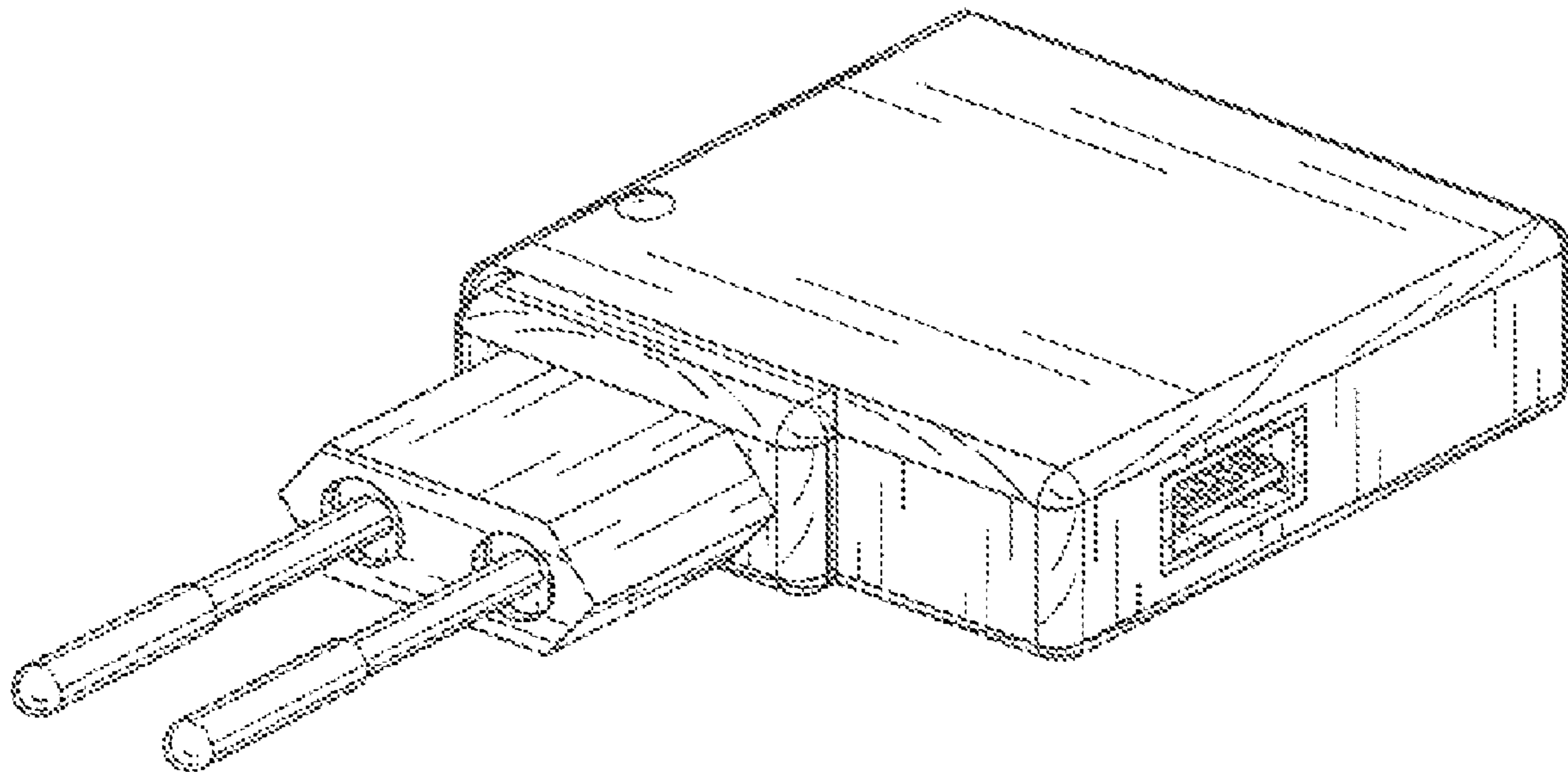
FIG. 4 is a front elevational view thereof;

FIG. 5 is a rear elevational view thereof;

FIG. 6 is a top plan view thereof; and,

FIG. 7 is a bottom plan view thereof.

**1 Claim, 4 Drawing Sheets**



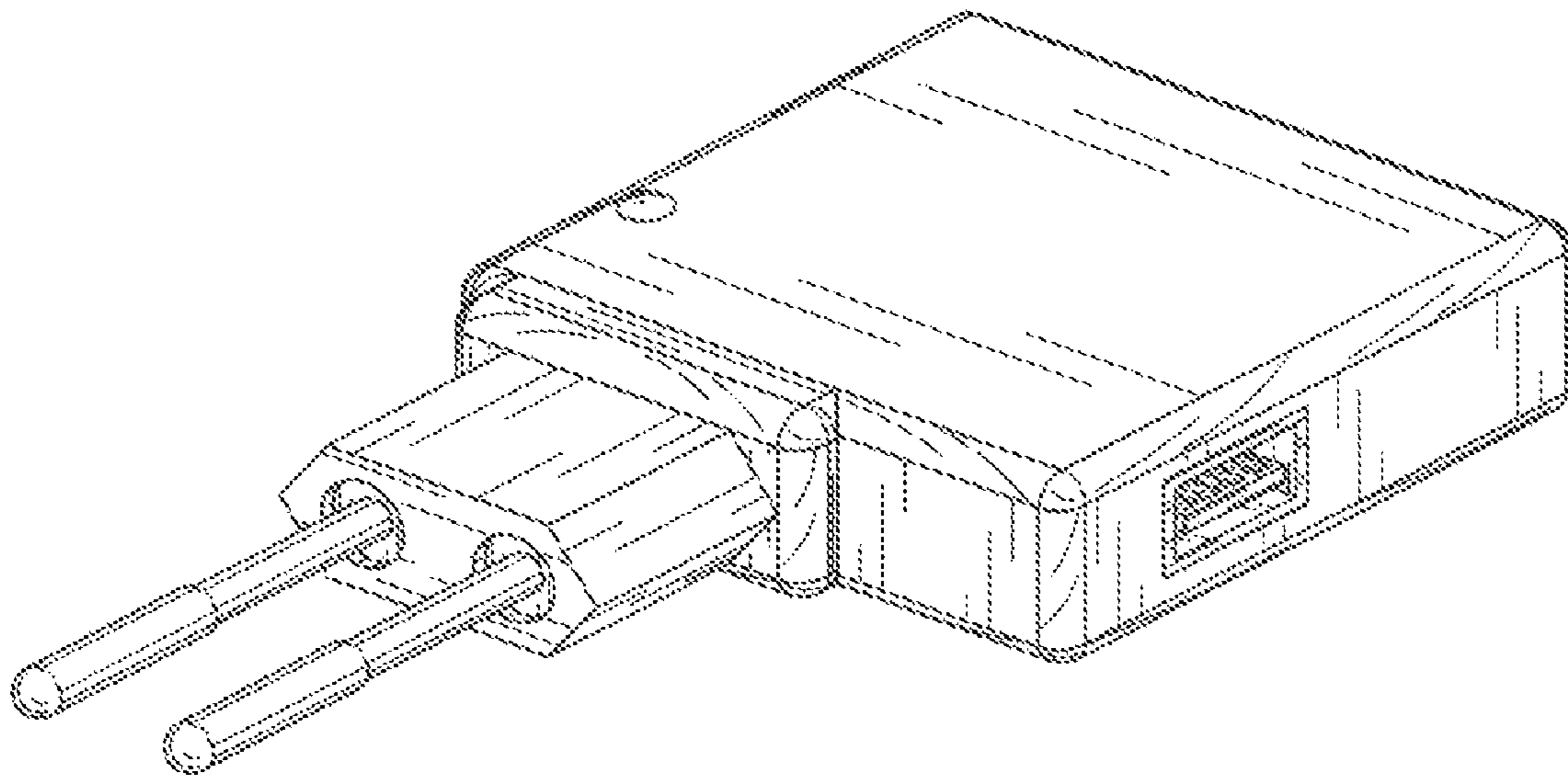


FIG. 1

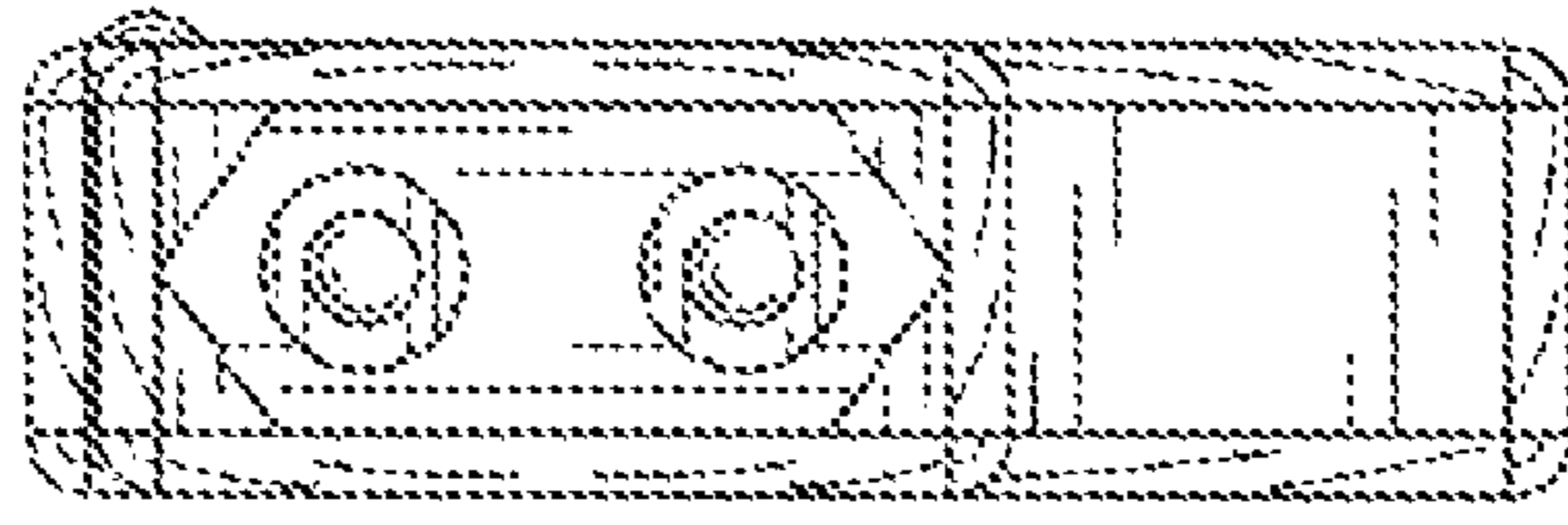


FIG. 2

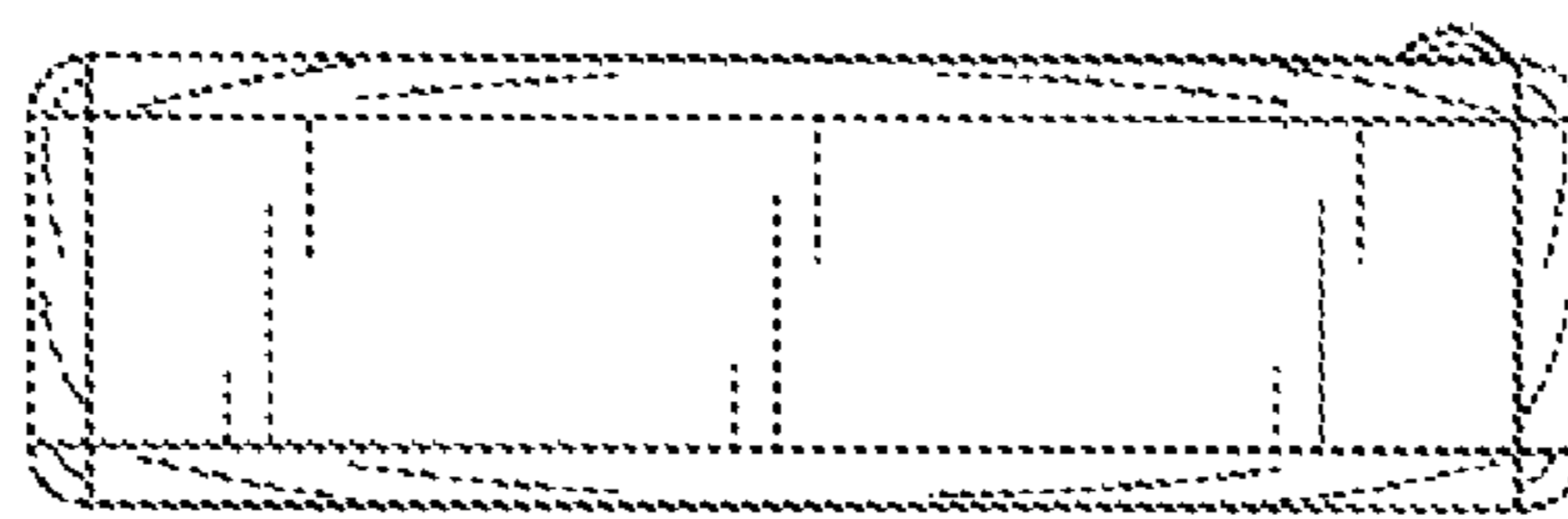


FIG. 3

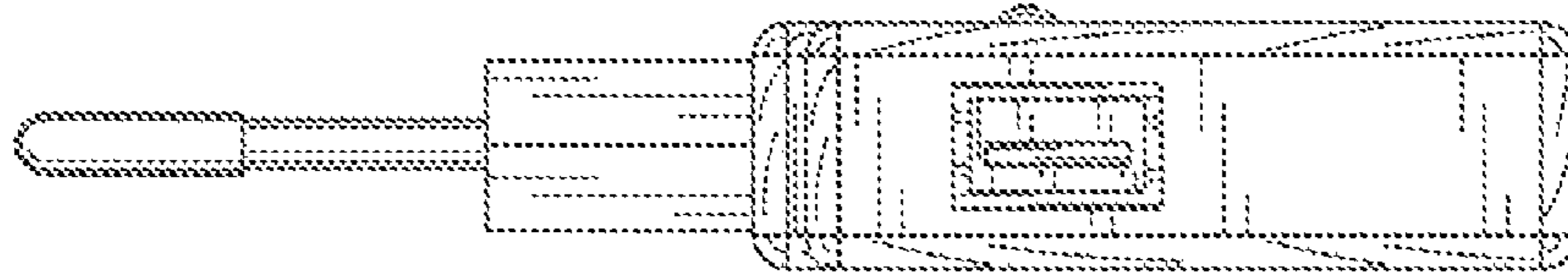


FIG. 4

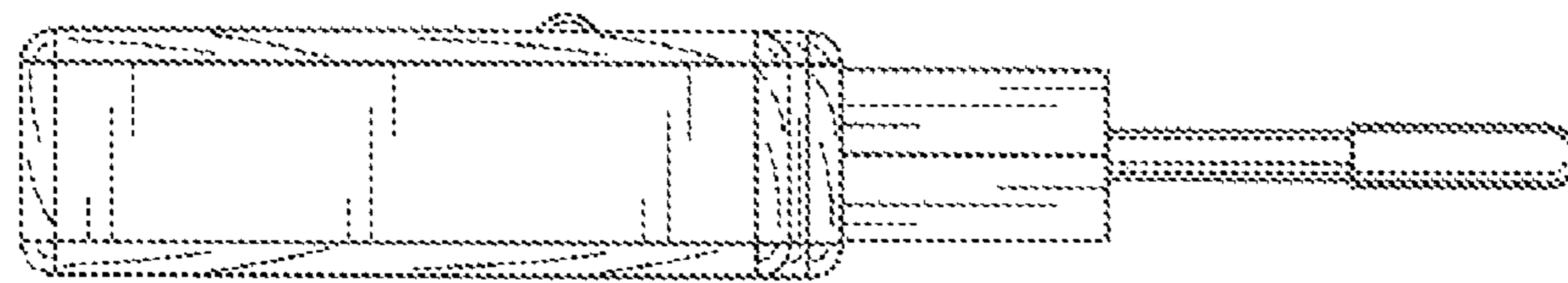


FIG. 5

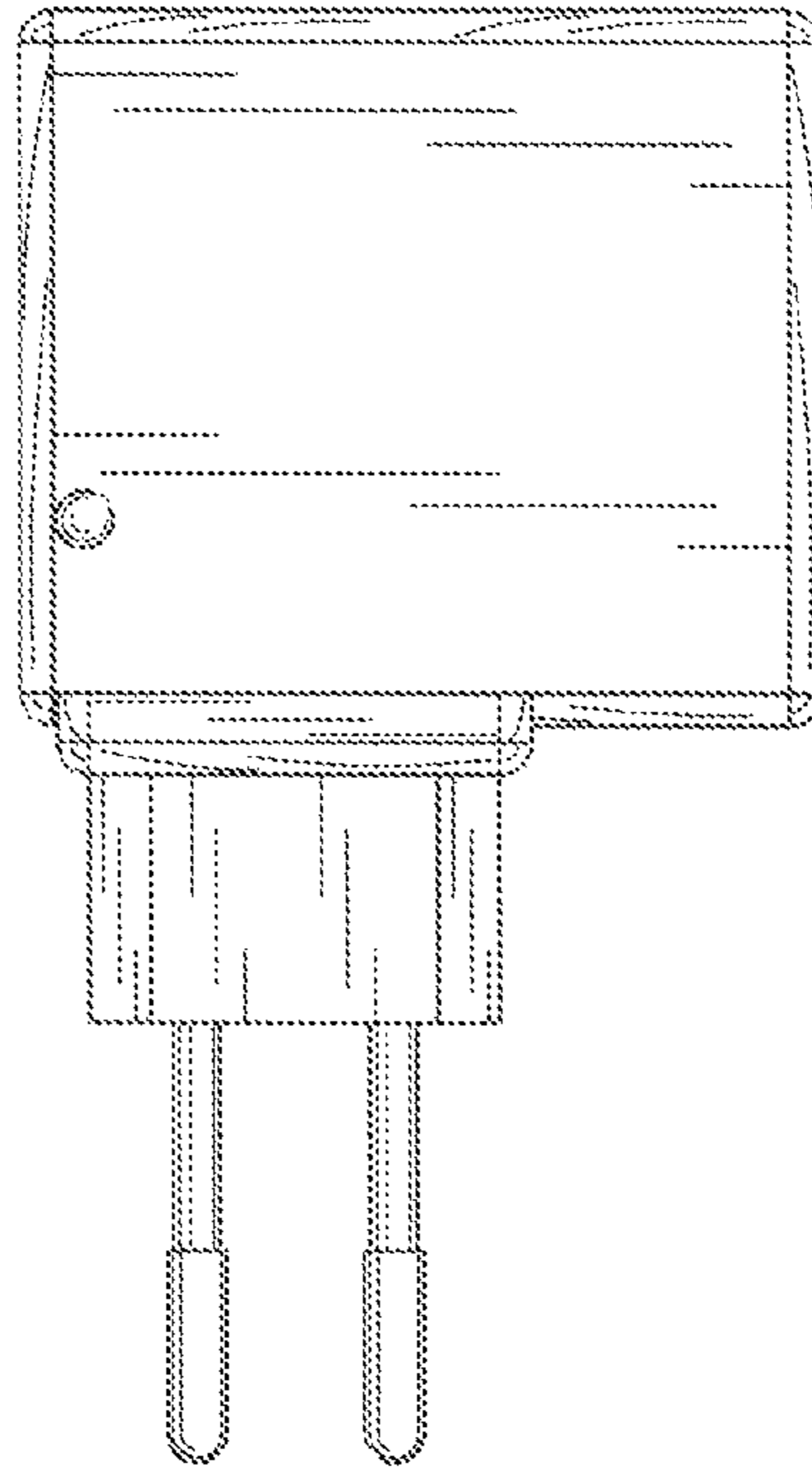


FIG. 6

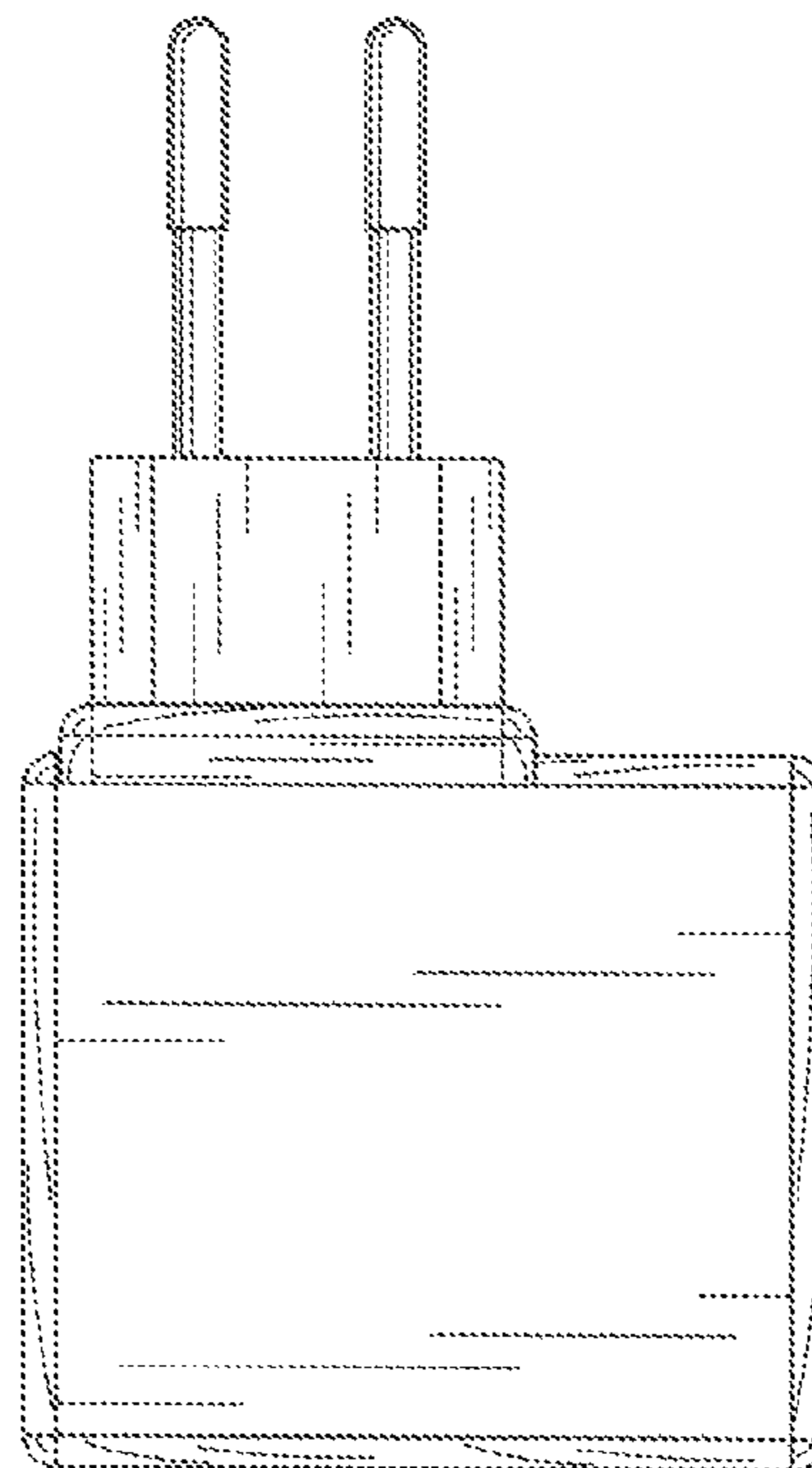


FIG. 7