



US00D573526S

(12) **United States Design Patent**
Beamer

(10) **Patent No.:** **US D573,526 S**
(45) **Date of Patent:** **** Jul. 22, 2008**

- (54) **TRIM TAB**
- (75) Inventor: **Gregory Paul Beamer**, Mankato, MN (US)
- (73) Assignee: **Johnson Outdoors Inc.**, Mankato, MN (US)
- (**) Term: **14 Years**
- (21) Appl. No.: **29/294,236**
- (22) Filed: **Dec. 28, 2007**
- (51) **LOC (8) Cl.** **12-06**
- (52) **U.S. Cl.** **D12/317**
- (58) **Field of Classification Search** D12/300, D12/317, 318; 114/285, 286, 288–290, 343, 114/361, 364

- D317,431 S * 6/1991 Klus D12/317
- 5,058,520 A 10/1991 Fahrney
- 5,113,780 A 5/1992 Bennett et al.
- 5,117,741 A 6/1992 Richards
- 5,142,473 A 8/1992 Davis
- D335,484 S * 5/1993 Moyle et al. D12/317
- 5,215,029 A 6/1993 Davis
- 5,263,432 A 11/1993 Davis
- 5,350,327 A 9/1994 Self et al.
- 5,383,419 A 1/1995 Stevens
- 5,385,110 A 1/1995 Bennett et al.
- 5,443,026 A 8/1995 Wenstadt et al.
- 5,474,012 A 12/1995 Yamada et al.
- 5,474,013 A 12/1995 Wittmaier
- 5,524,567 A 6/1996 Astley et al.
- D378,813 S * 4/1997 Jacques D12/317
- 5,704,308 A 1/1998 Anderson
- D392,936 S * 3/1998 Koyanagi D12/317

See application file for complete search history.

(Continued)

(56) **References Cited**
U.S. PATENT DOCUMENTS

- 3,046,928 A 7/1962 Sherrill
- 3,177,837 A 4/1965 Sherrill
- 3,327,671 A 6/1967 Comins
- 3,628,487 A 12/1971 Bennett
- 3,695,204 A 10/1972 Bennett
- 3,977,349 A 8/1976 Hummel
- 4,232,626 A 11/1980 Kern
- 4,261,278 A 4/1981 Gaudin
- 4,323,027 A 4/1982 Schermerhorn
- 4,401,888 A 8/1983 West et al.
- 4,420,741 A 12/1983 West
- 4,424,041 A 1/1984 Sietmann et al.
- 4,644,893 A 2/1987 Zepp
- D292,392 S 10/1987 Zepp et al.
- 4,708,672 A 11/1987 Bentz et al.
- 4,742,794 A 5/1988 Hagstrom
- 4,749,926 A 6/1988 Ontolchik
- 4,832,642 A 5/1989 Thompson
- 4,854,259 A 8/1989 Cluett
- 4,896,622 A 1/1990 Thomas
- 4,909,175 A 3/1990 Arnseson
- 4,967,682 A 11/1990 O'Donnell
- 5,017,165 A 5/1991 Havins

OTHER PUBLICATIONS

Minn Kota "Trim Tabs" brochure (in color), Jul. 2006 (4 pages).
Primary Examiner—Holly H. Baynham
Assistant Examiner—Cynthia M Chin
 (74) *Attorney, Agent, or Firm*—Kinney & Lange, P.A.

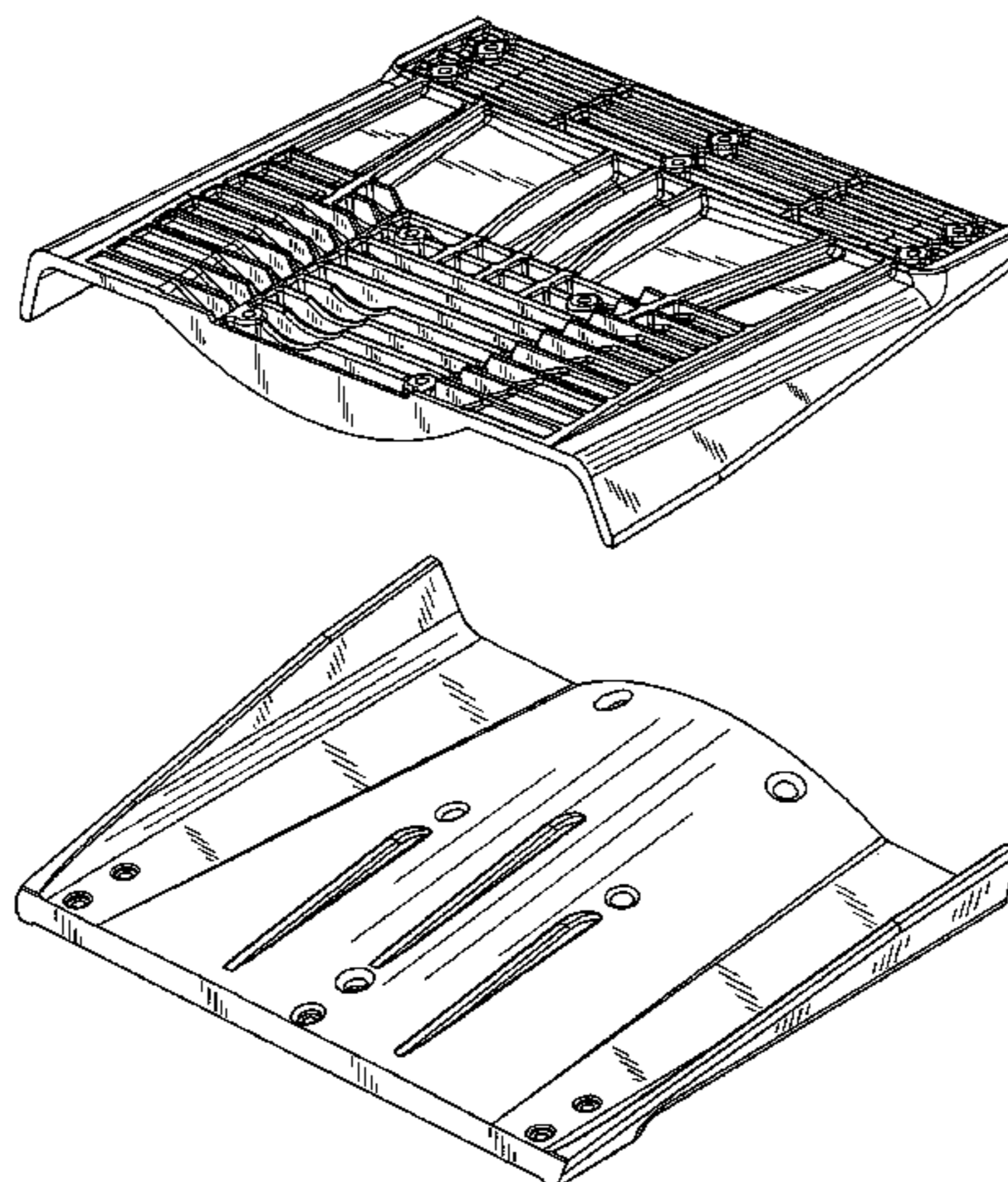
(57) **CLAIM**

The ornamental design for a trim tab, as shown and described.

DESCRIPTION

FIG. 1 is a top perspective view;
 FIG. 2 is a bottom perspective view;
 FIG. 3 is a top view;
 FIG. 4 is a bottom view;
 FIG. 5 is a rear view;
 FIG. 6 is a front view;
 FIG. 7 is a right side view; and,
 FIG. 8 is a left side view.

1 Claim, 3 Drawing Sheets



US D573,526 S

Page 2

U.S. PATENT DOCUMENTS							
5,832,863	A	11/1998	Sherlock	6,280,269	B1	8/2001	Gaynor
5,842,895	A	12/1998	DeVito, Jr.	6,354,237	B1	3/2002	Gaynor et al.
5,878,686	A	3/1999	Anderson	6,493,905	B2	12/2002	Stettler
5,881,666	A	3/1999	Crews, Jr.	6,520,813	B1	2/2003	DeVito, Jr.
6,085,684	A	7/2000	Cotton	6,524,146	B2	2/2003	Spade et al.
6,089,177	A	7/2000	Müller	6,571,724	B1	6/2003	Shen
6,095,077	A	8/2000	DeAgro	6,583,728	B1	6/2003	Staerzl
6,101,965	A *	8/2000	Koyanagi 114/288	6,588,360	B1	7/2003	Bachmann
6,132,267	A	10/2000	Campbell	6,745,715	B1	6/2004	Shen et al.
6,138,601	A	10/2000	Anderson et al.	6,805,068	B1	10/2004	Tossavainen
6,167,830	B1	1/2001	Pilger	6,823,812	B2	11/2004	von Wolske
6,174,210	B1	1/2001	Spade et al.	6,863,581	B2	3/2005	Anderson
6,254,513	B1	7/2001	Takenaka et al.	6,941,884	B2	9/2005	Moore
6,273,771	B1	8/2001	Buckley et al.	D510,720	S *	10/2005	Kruse D12/317
				7,143,711	B1 *	12/2006	Wolske 114/285

* cited by examiner

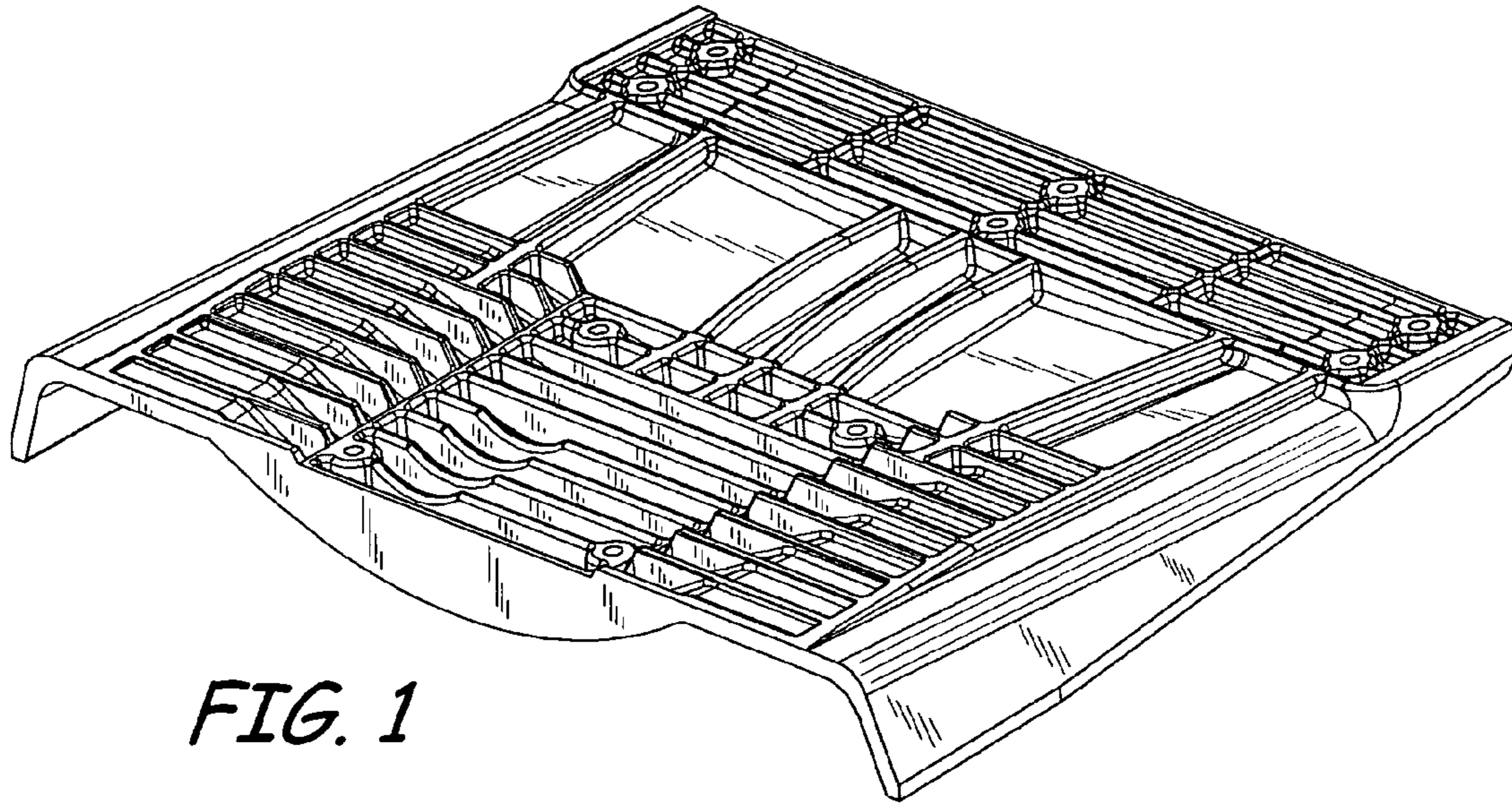


FIG. 1

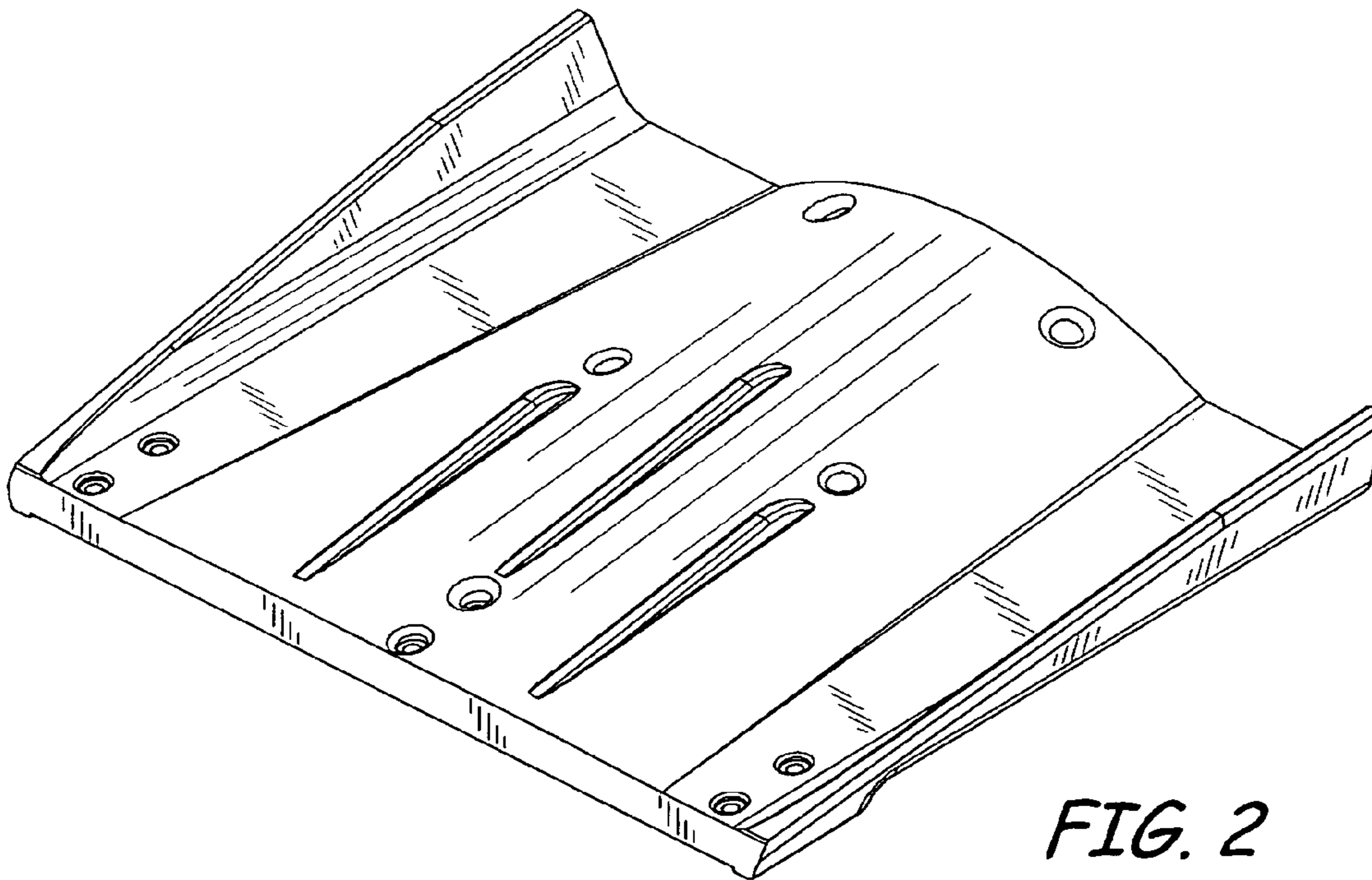


FIG. 2

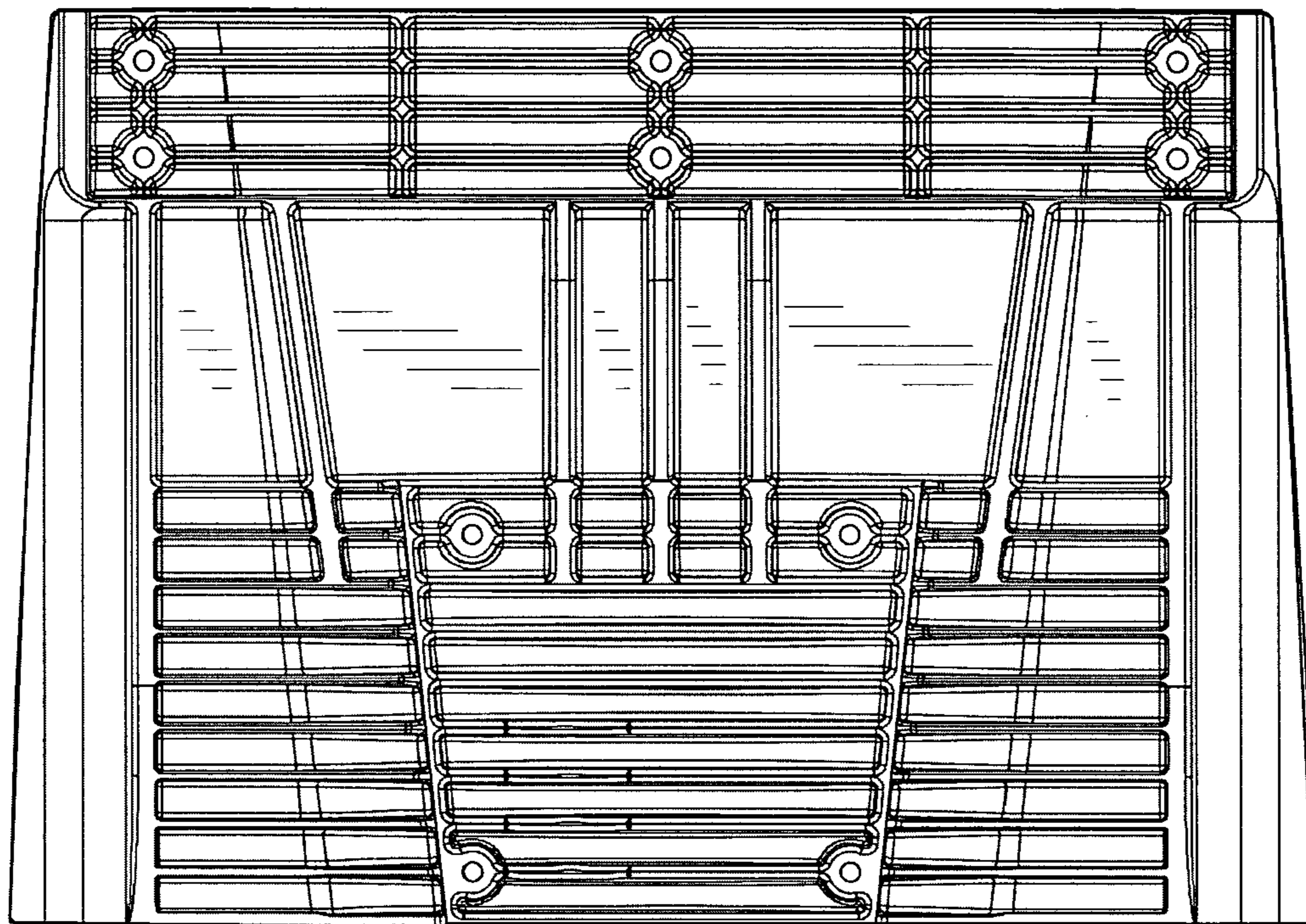


FIG. 3

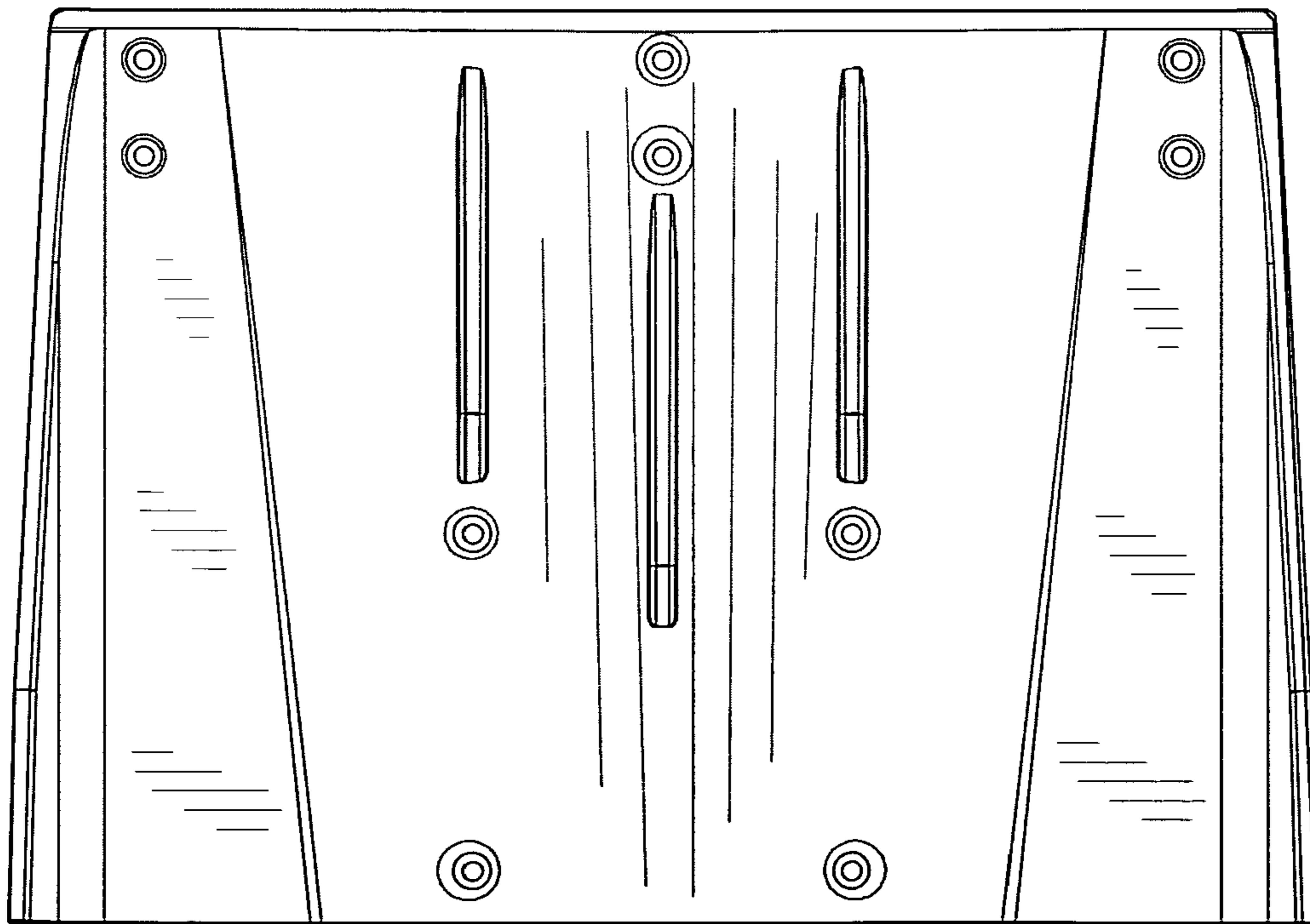


FIG. 4



FIG. 5

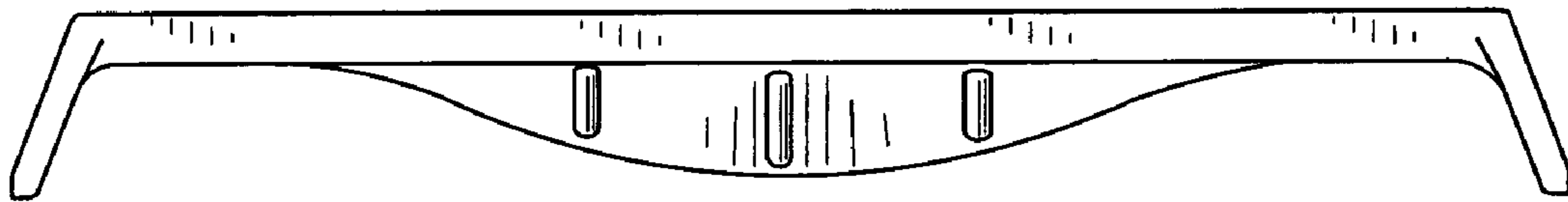


FIG. 6



FIG. 7

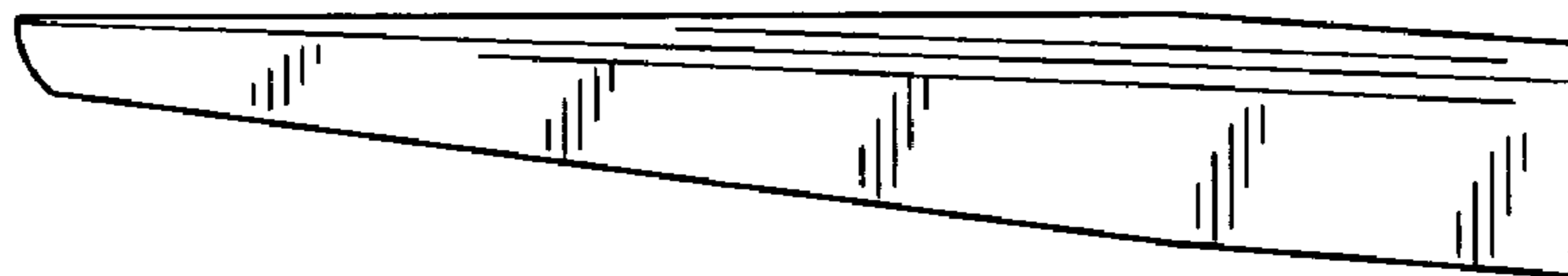


FIG. 8