



US00D573524S

(12) **United States Design Patent**
Smith et al.

(10) **Patent No.:** **US D573,524 S**
(45) **Date of Patent:** **** Jul. 22, 2008**

(54) **IMPACT BRACKET FOR A MOTOR VEHICLE**

6,910,669 B2 * 6/2005 Gates et al. 248/503
2005/0056763 A1 * 3/2005 Gates et al. 248/503

(75) Inventors: **Michael A. Smith**, Emerald (AU);
Robert John Stanley Barnes, Glen Iris
(AU); **Peter McConachy**, Nangana (AU)

* cited by examiner

(73) Assignee: **ARB Corporation Limited**, Kilsyth,
Victoria (AU)

Primary Examiner—Holly H. Baynham
Assistant Examiner—Sheryl Friedman
(74) *Attorney, Agent, or Firm*—Rothwell, Figg, Ernst &
Manbeck, P.C.

(**) Term: **14 Years**

(21) Appl. No.: **29/270,124**

(57) **CLAIM**

(22) Filed: **Dec. 15, 2006**

We claim the ornamental design for an impact bracket for a motor vehicle, as shown and described.

(30) **Foreign Application Priority Data**

Jun. 15, 2006 (AU) 12553/06

DESCRIPTION

(51) **LOC (8) Cl.** **12-06**

FIG. 1 is an isometric view of an impact bracket according to the new design;

(52) **U.S. Cl.** **D12/223**

FIG. 2 is a top view of the bracket of FIG. 1;

(58) **Field of Classification Search** D12/223;
D8/349, 353, 381, 382; 248/503, 674, 121,
248/200, 207, 209, 217.2, 224.7, 223.21

FIG. 3 is a bottom view of the bracket of FIG. 1;

See application file for complete search history.

FIG. 4 is a front view of the bracket of FIG. 1;

FIG. 5 is a side view (the other side is a mirror image) of the bracket of FIG. 1; and,

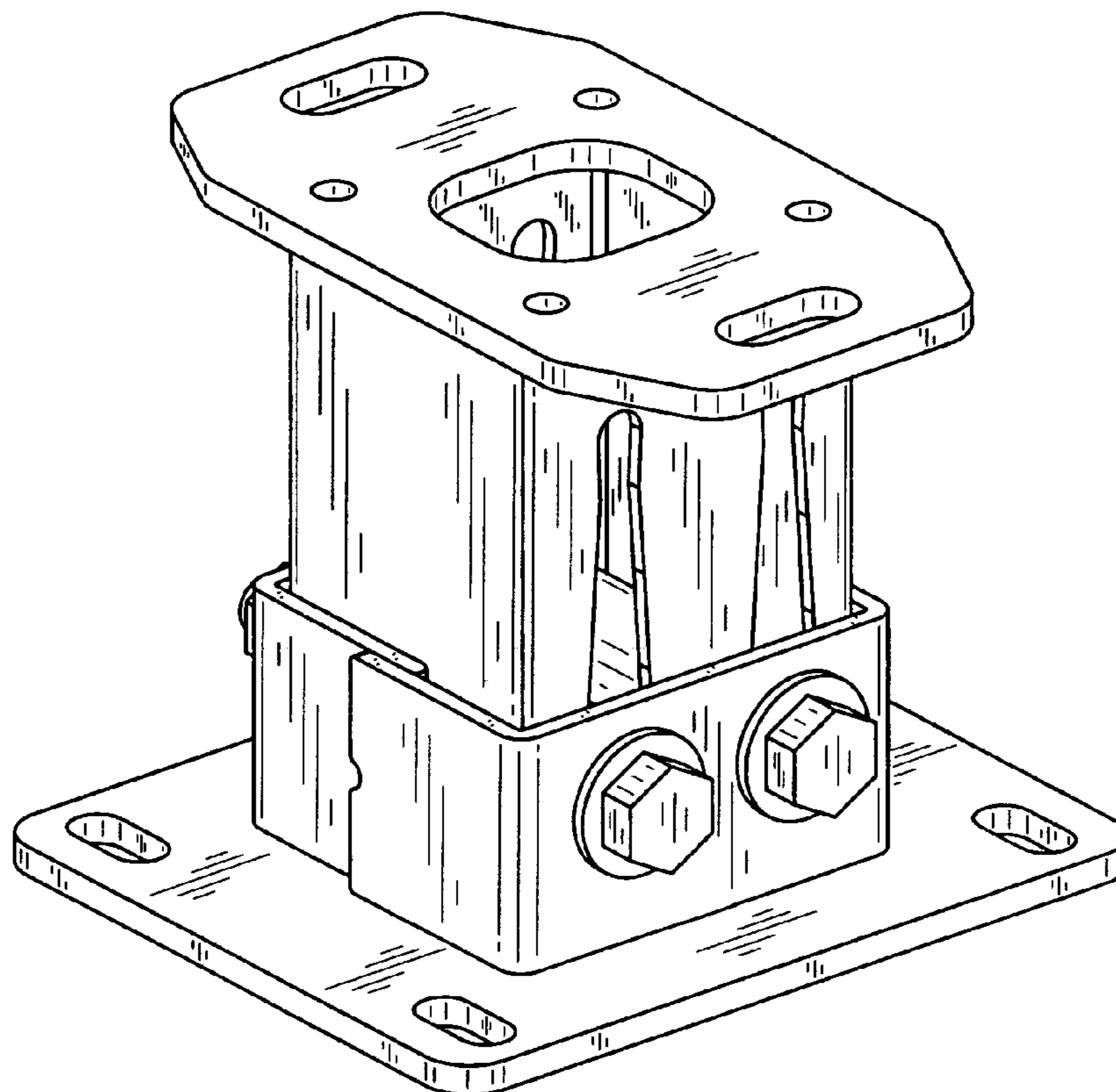
(56) **References Cited**

FIG. 6 is a rear view of the bracket of FIG. 1.

U.S. PATENT DOCUMENTS

5,692,797 A * 12/1997 Dancasiu 296/187.12

1 Claim, 3 Drawing Sheets



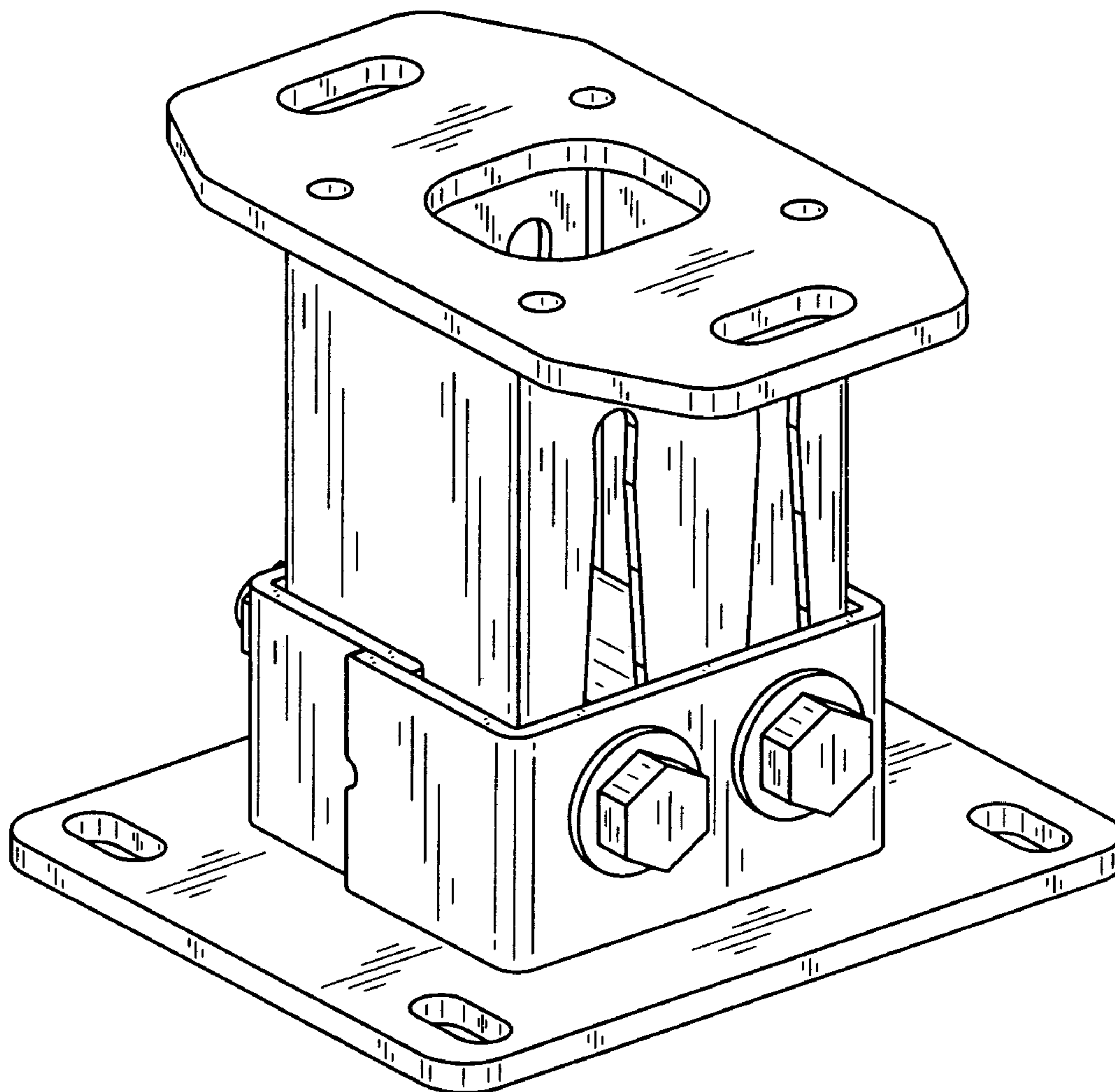


FIG. 1

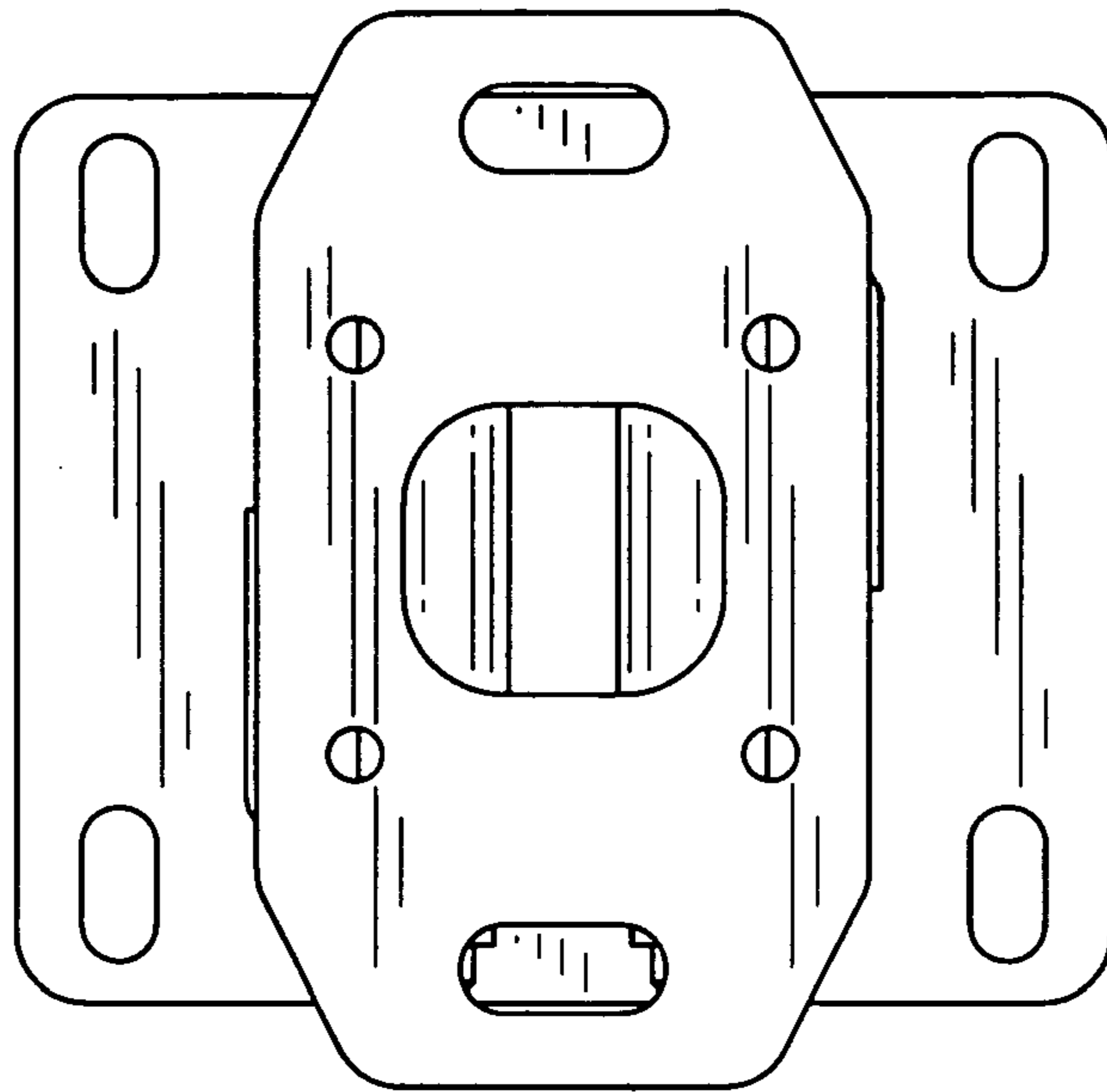


FIG. 2

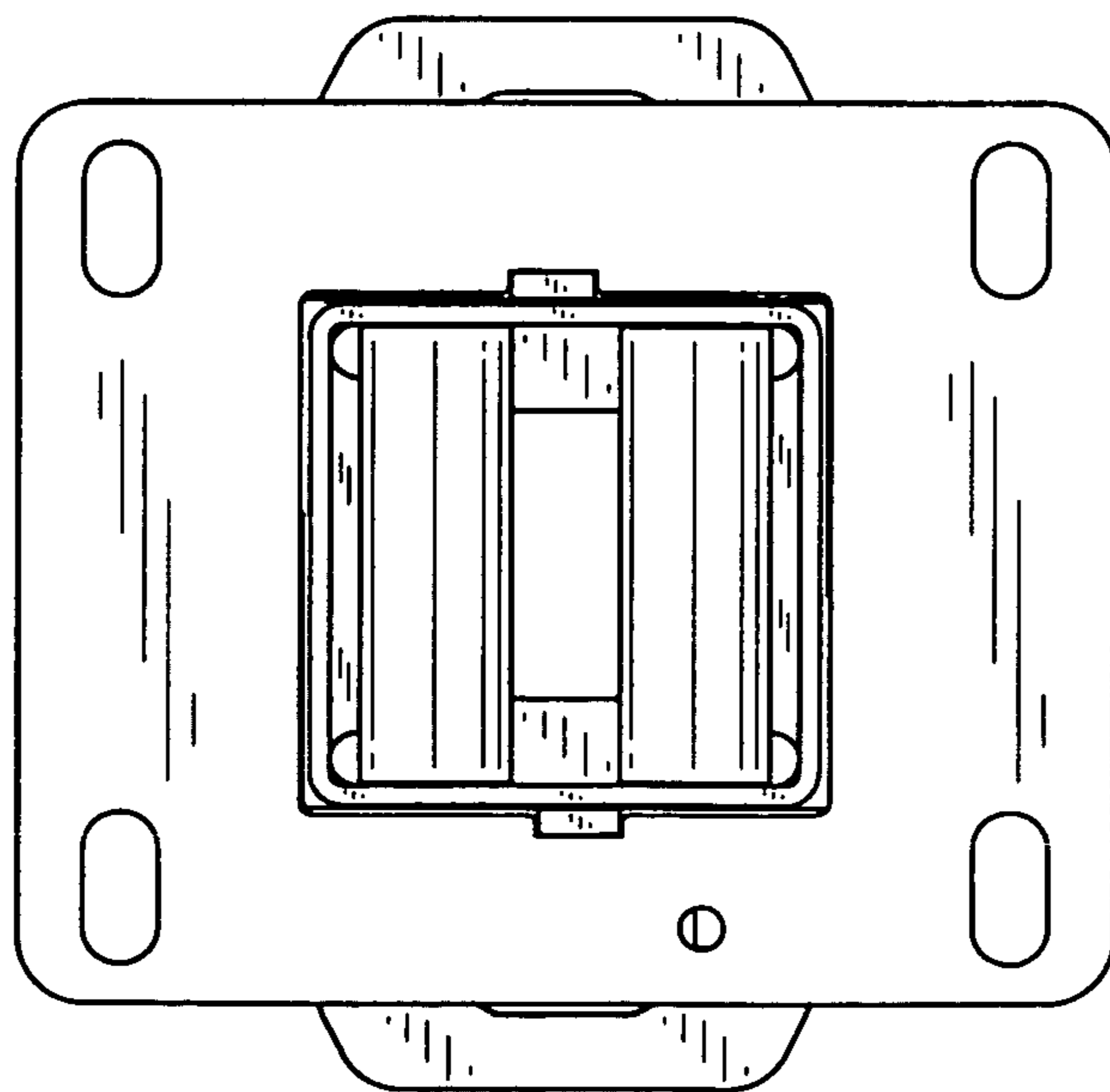


FIG. 3

FIG.4

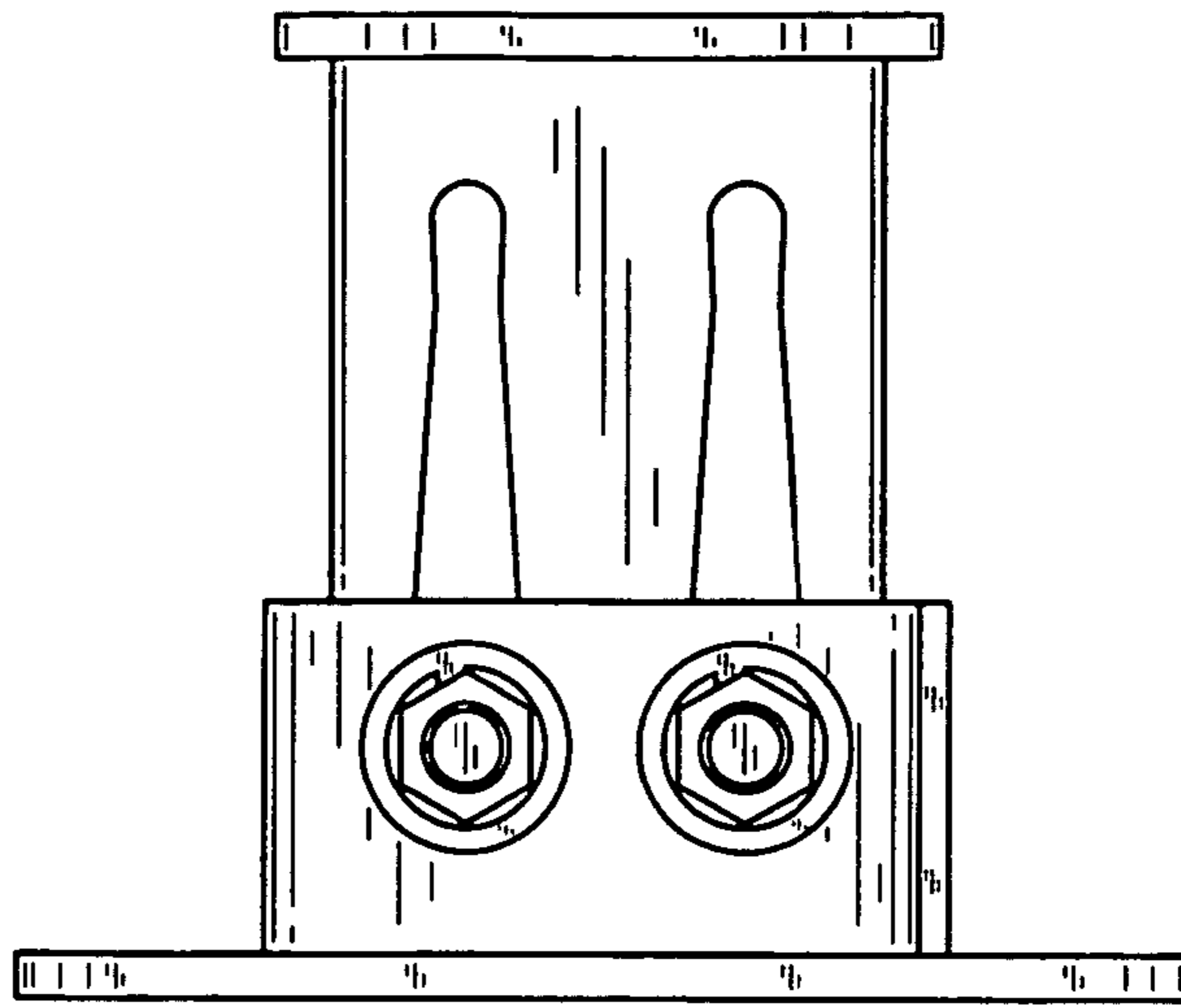


FIG.5

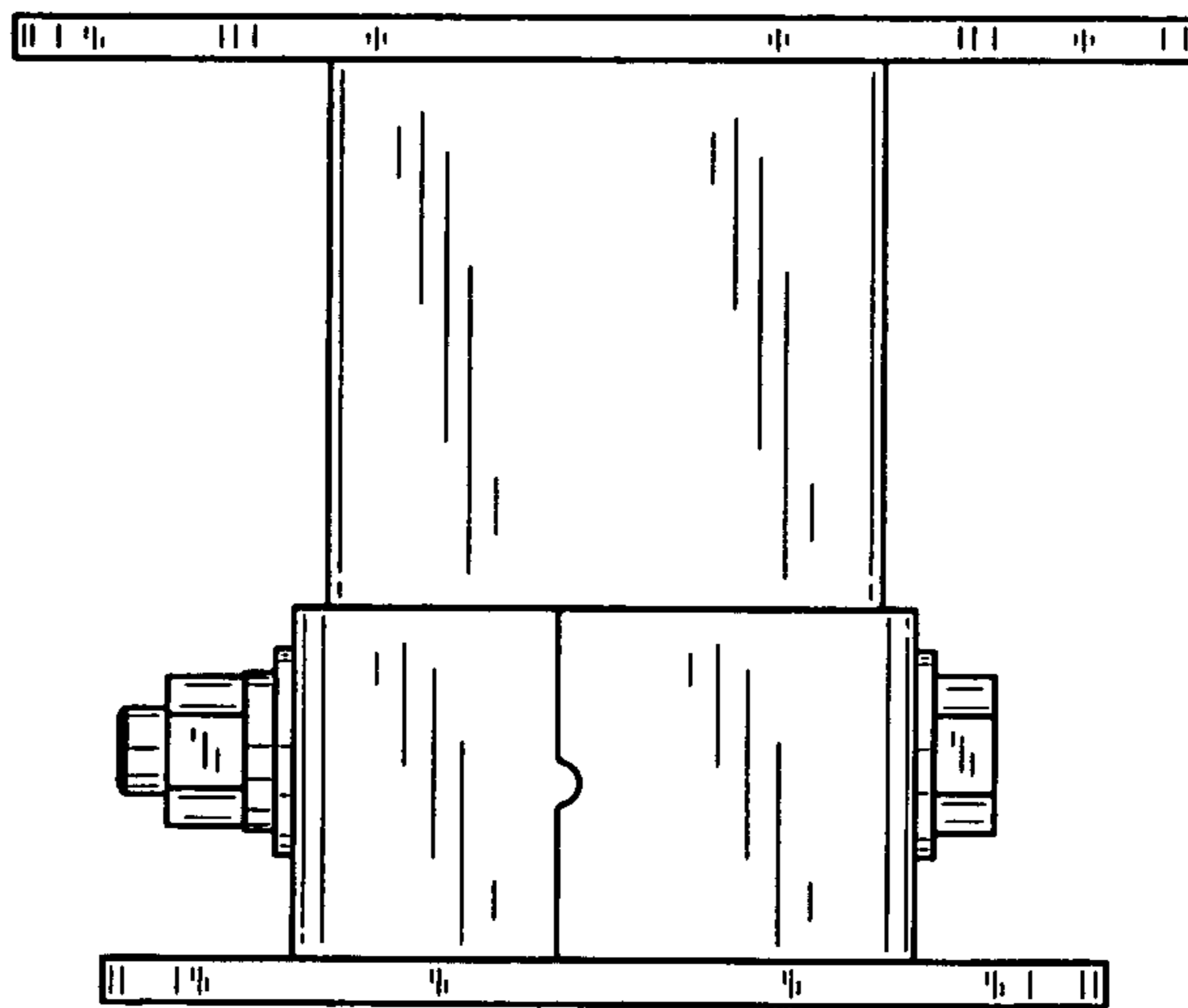


FIG.6

