



US00D573523S

(12) **United States Design Patent**  
**McMath**

(10) **Patent No.:** **US D573,523 S**  
(45) **Date of Patent:** **\*\* Jul. 22, 2008**

(54) **WHEEL**

(76) **Inventor:** **Robert Roy McMath**, 3240 Trade Center Dr., Riverside, CA (US) 92507

(\*\*) **Term:** **14 Years**

(21) **Appl. No.:** **29/294,576**

(22) **Filed:** **Jan. 18, 2008**

(51) **LOC (8) Cl.** ..... **12-16**

(52) **U.S. Cl.** ..... **D12/211**

(58) **Field of Classification Search** ..... D12/204-213;  
301/37.101, 64.101, 65, 64.201

See application file for complete search history.

(56) **References Cited**

**U.S. PATENT DOCUMENTS**

D234,131 S *	1/1975	Woelffer	.....	D12/204
D236,107 S *	7/1975	Scott	.....	D12/211
D236,197 S *	8/1975	Clary	.....	D12/211
D236,198 S *	8/1975	Clary	.....	D12/211
D294,821 S *	3/1988	Danbom	.....	D12/211
D327,049 S *	6/1992	Boyer	.....	D12/211
D416,850 S *	11/1999	Cohen et al.	.....	D12/211

D428,847 S *	8/2000	Hussaini et al.	.....	D12/211
D466,851 S *	12/2002	Pfeiffer et al.	.....	D12/211
D505,906 S *	6/2005	Pfeiffer	.....	D12/211
D528,491 S *	9/2006	Wang Hsiao	.....	D12/204
D530,255 S *	10/2006	Pfeiffer	.....	D12/211
D532,357 S *	11/2006	Pfeiffer	.....	D12/211
D543,923 S *	6/2007	Hieke	.....	D12/211
D556,113 S *	11/2007	Celik	.....	D12/211

\* cited by examiner

*Primary Examiner*—Stacia Cadmus

(74) *Attorney, Agent, or Firm*—Curtis L. Harrington; Kathy E. Harrington; Harrington & Harrington

(57) **CLAIM**

The ornamental design for a wheel, as shown and described.

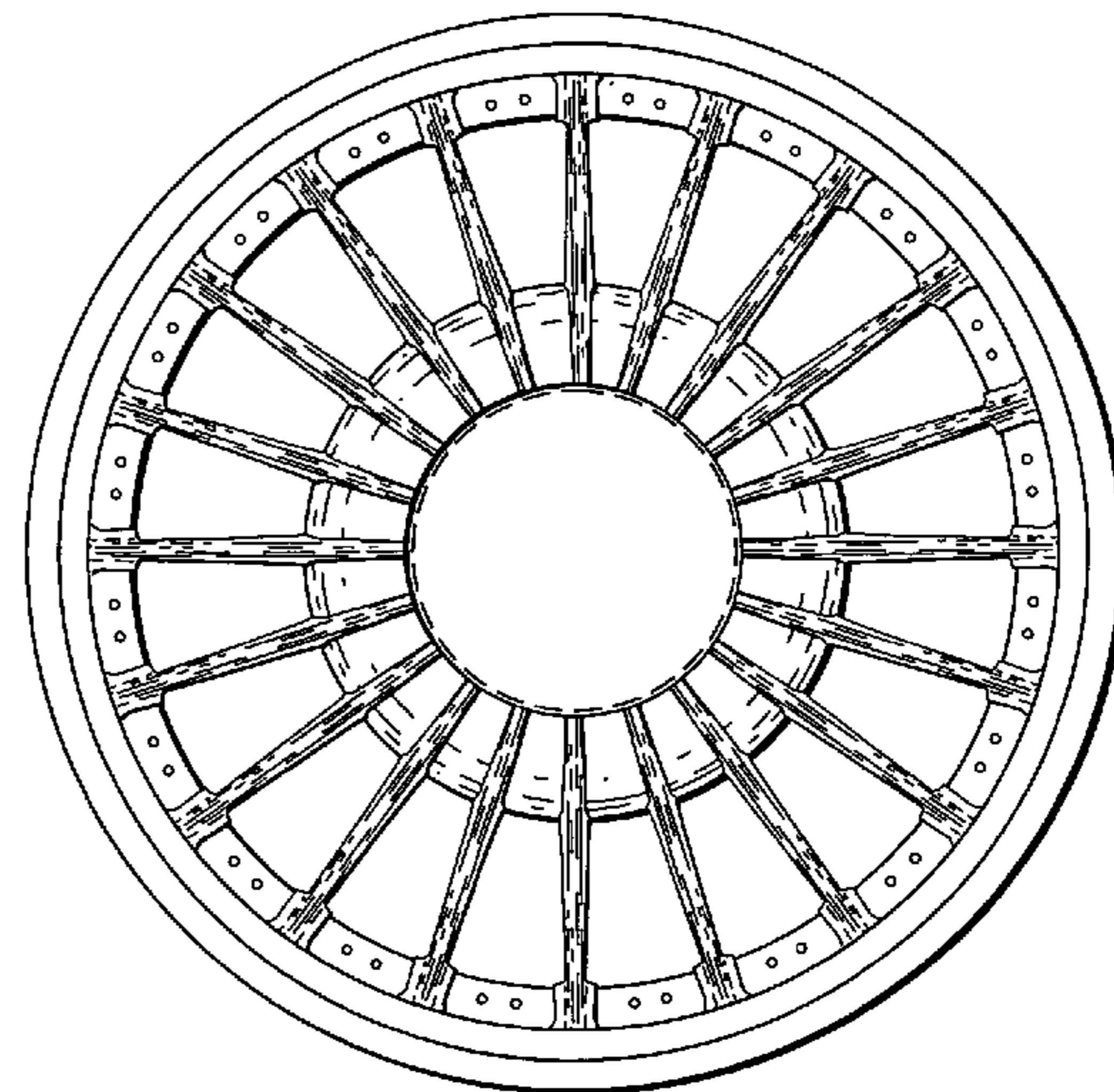
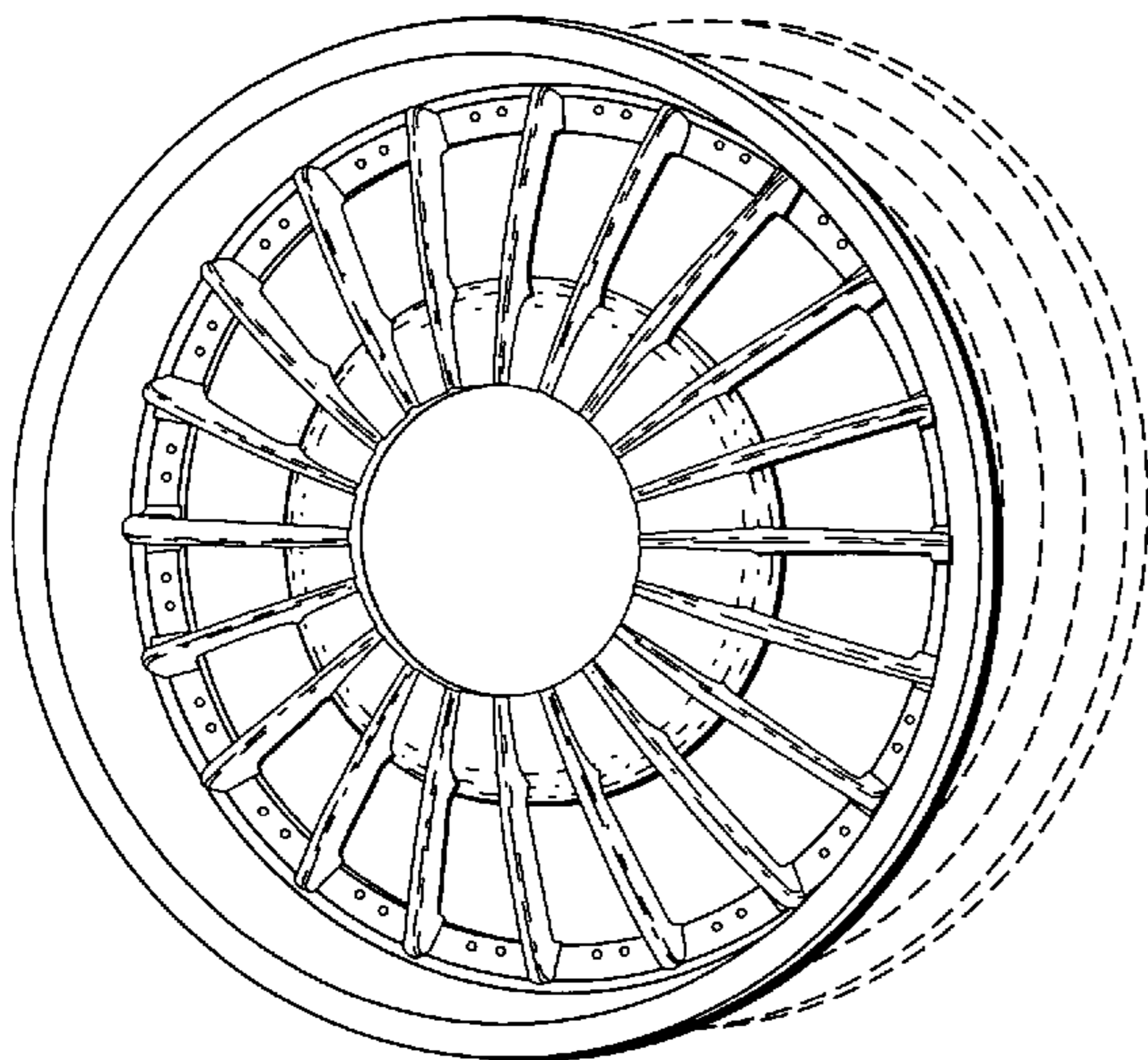
**DESCRIPTION**

FIG. 1 is a front perspective view of the wheel illustrated without a center cap; and,

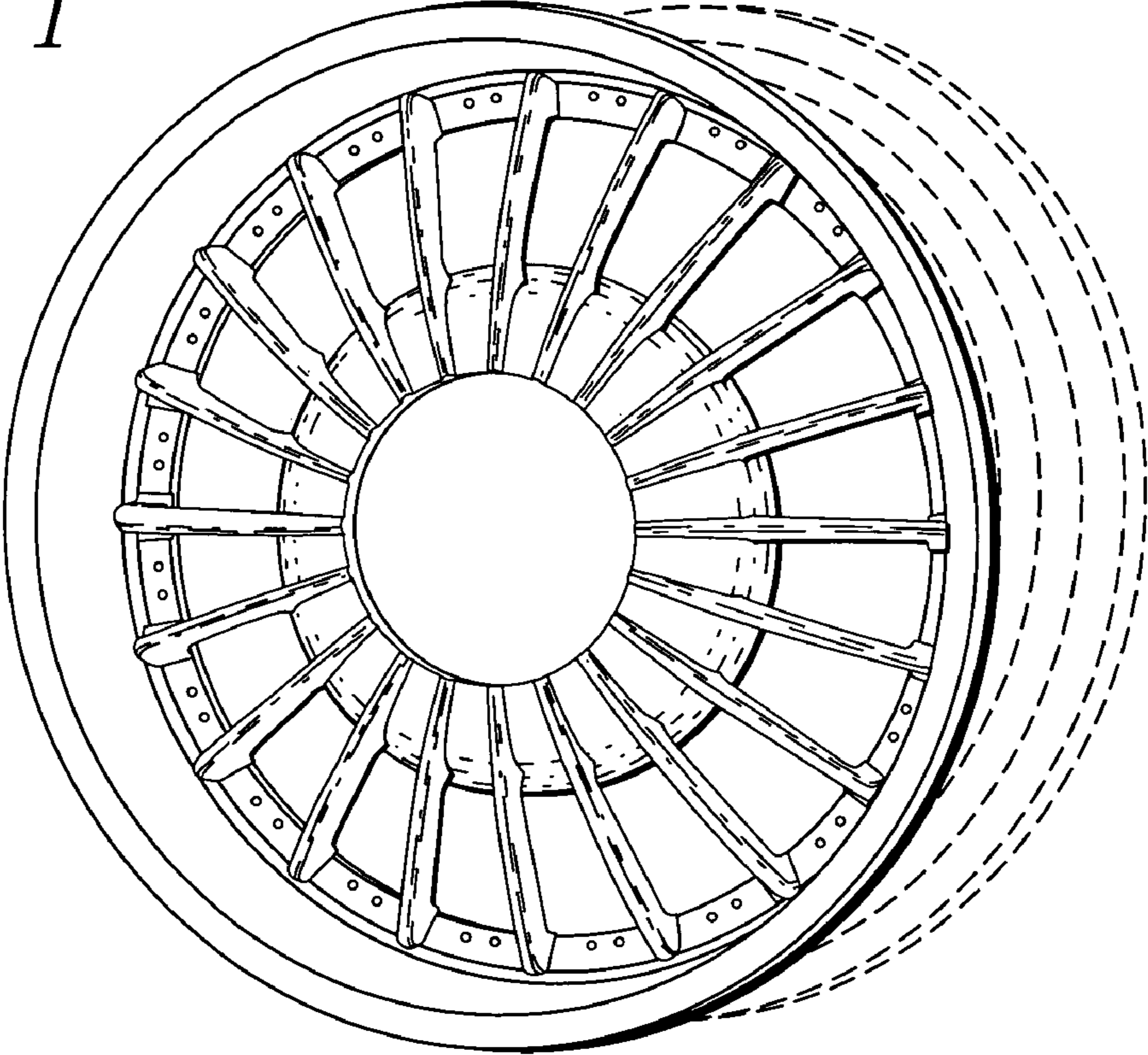
FIG. 2 is a plan view.

The broken line showing of environment is for illustrative purposes only and forms no part of the claimed design.

**1 Claim, 1 Drawing Sheet**



*Fig. 1*



*Fig. 2*

