



US00D573508S

(12) **United States Design Patent**
Brown, Jr.

(10) **Patent No.:** **US D573,508 S**

(45) **Date of Patent:** **** Jul. 22, 2008**

(54) **AUTOMOBILE BODY**

(76) Inventor: **Richard J. Brown, Jr.**, 970 E. 346th St.,
Eastlake, OH (US) 44095

(**) Term: **14 Years**

(21) Appl. No.: **29/277,768**

(22) Filed: **Mar. 9, 2007**

(51) **LOC (8) Cl.** **12-08**

(52) **U.S. Cl.** **D12/92; D12/196; D12/190**

(58) **Field of Classification Search** **D12/86,**
D12/90-92, 190, 196; 296/181.1, 181.5

See application file for complete search history.

(56) **References Cited**

U.S. PATENT DOCUMENTS

D438,497 S *	3/2001	Yokomaku	D12/190
D455,983 S *	4/2002	Carlson	D12/92
D511,728 S *	11/2005	Rex	D12/190
D547,249 S *	7/2007	Kurtz et al.	D12/196

* cited by examiner

Primary Examiner—Melody N Brown

(74) *Attorney, Agent, or Firm*—Renner, Otto, Boisselle &
Sklar, LLP

(57) **CLAIM**

The ornamental design for an automobile body, as shown and
described.

DESCRIPTION

FIG. 1 is a perspective view of an automobile body showing
my new design as seen from the front left and side.

FIG. 2 is a left side elevation view of FIG. 1, the right side
being a mirror image of that shown.

FIG. 3 is a front end elevation view of FIG. 1.

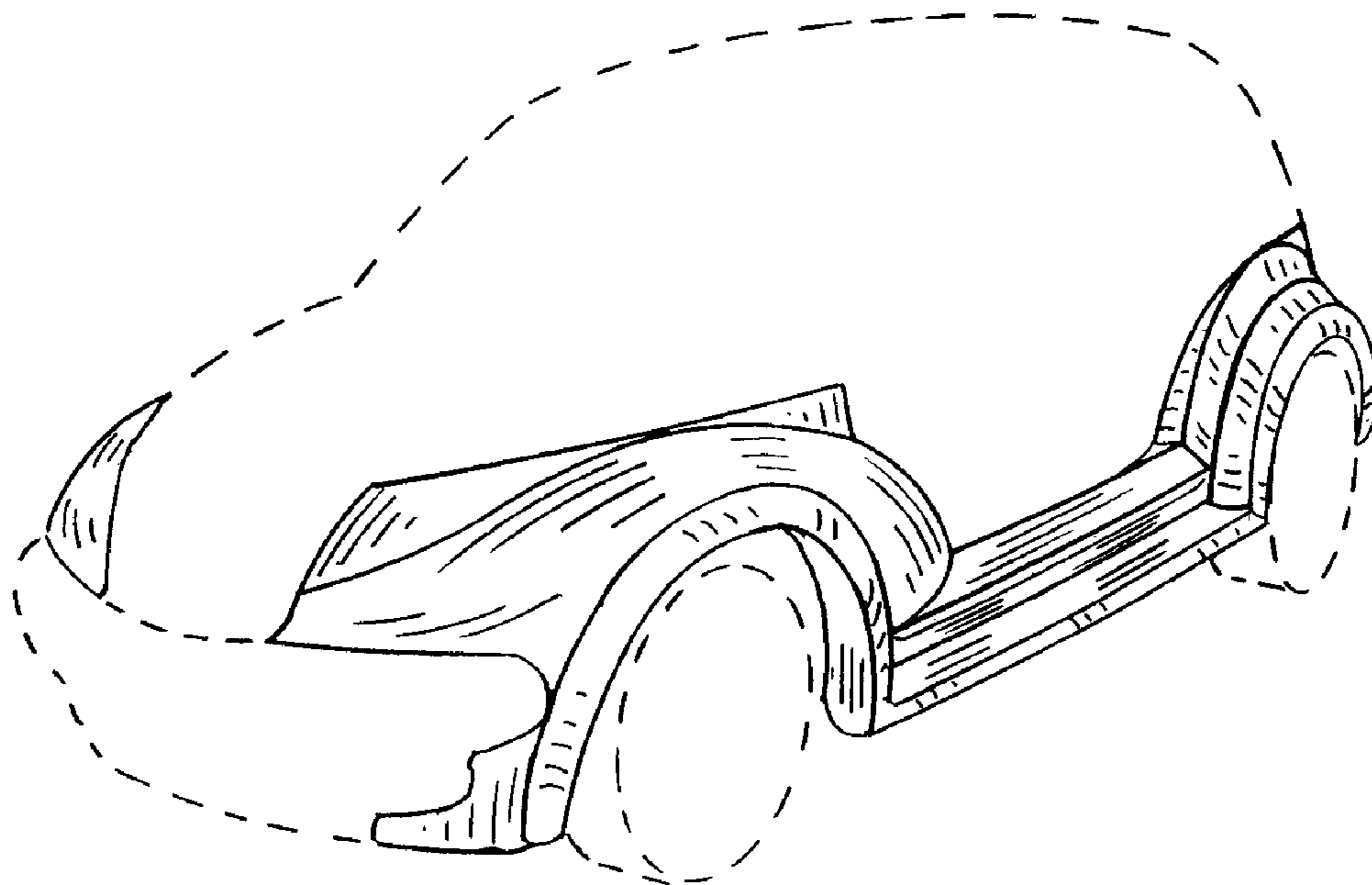
FIG. 4 is a rear end elevation view of FIG. 1.

FIG. 5 is a fragmentary perspective view showing the left side
front fender and part of a running board for the automobile
illustrated in FIG. 1; and,

FIG. 6 is a fragmentary perspective view showing the left side
rear fender and part of the running board for the automobile
illustrated in FIG. 1.

The broken line showings of other portions of an automobile
body design in FIGS. 1-6 are for illustrative purposes only
and form no part of the claimed design.

1 Claim, 2 Drawing Sheets



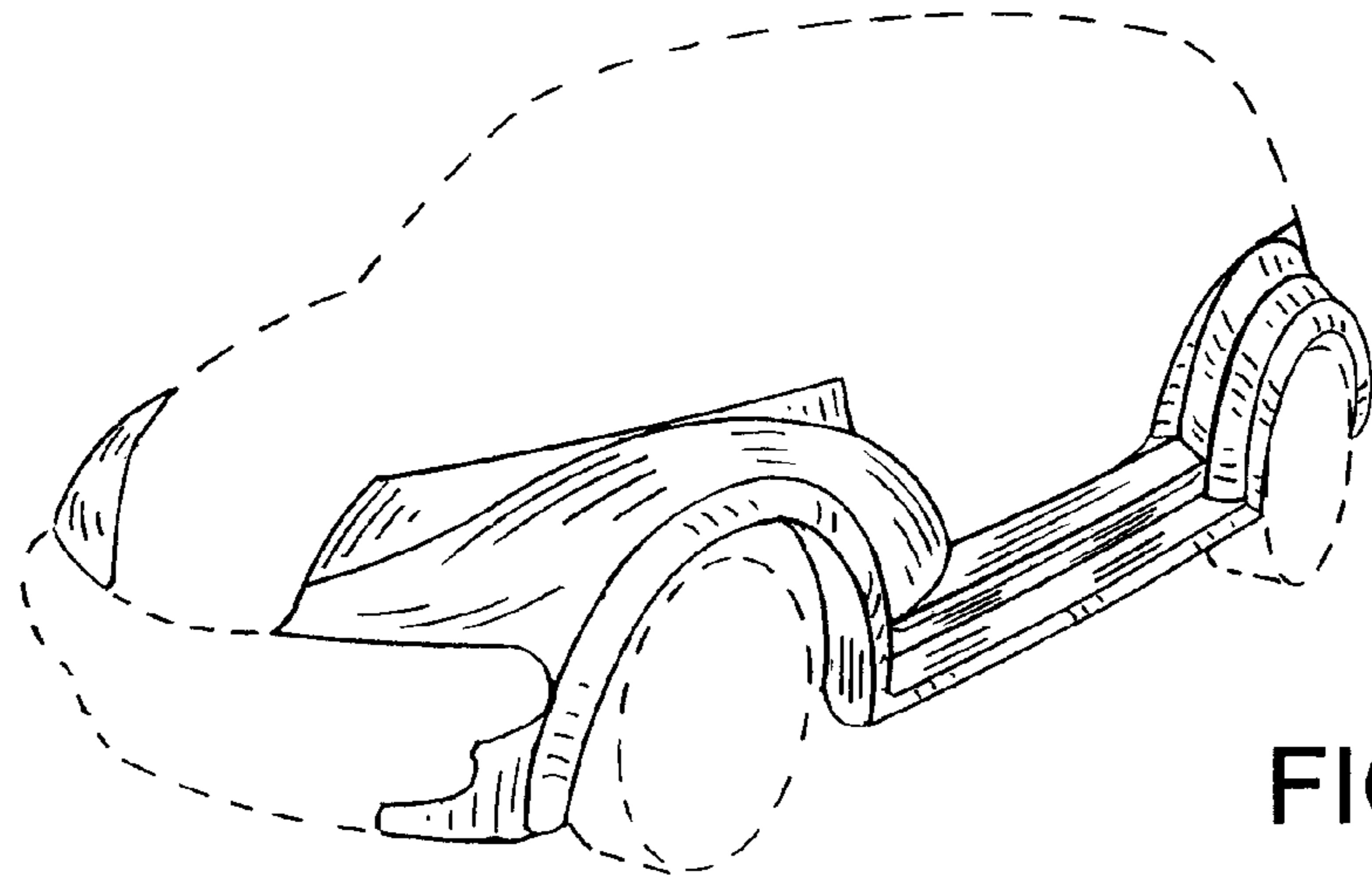


FIG. 1

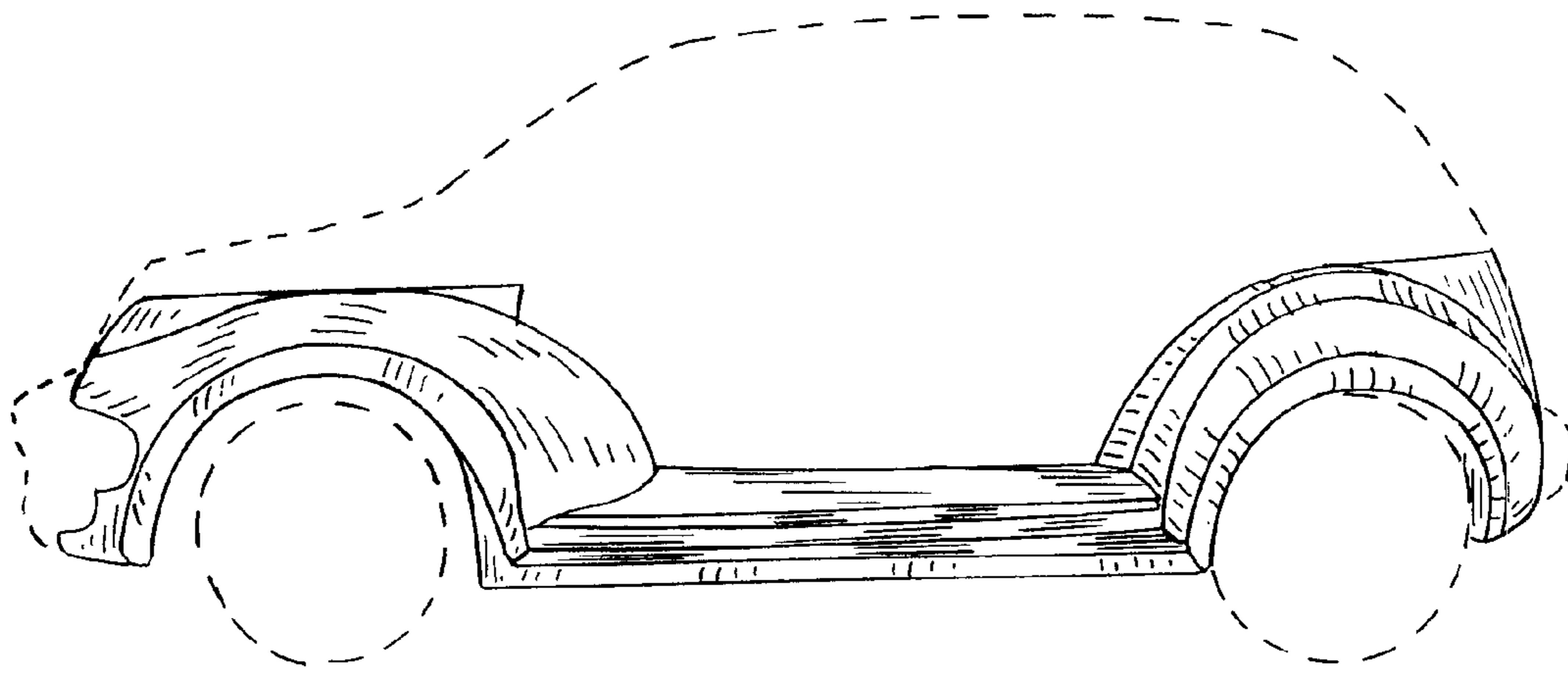


FIG. 2

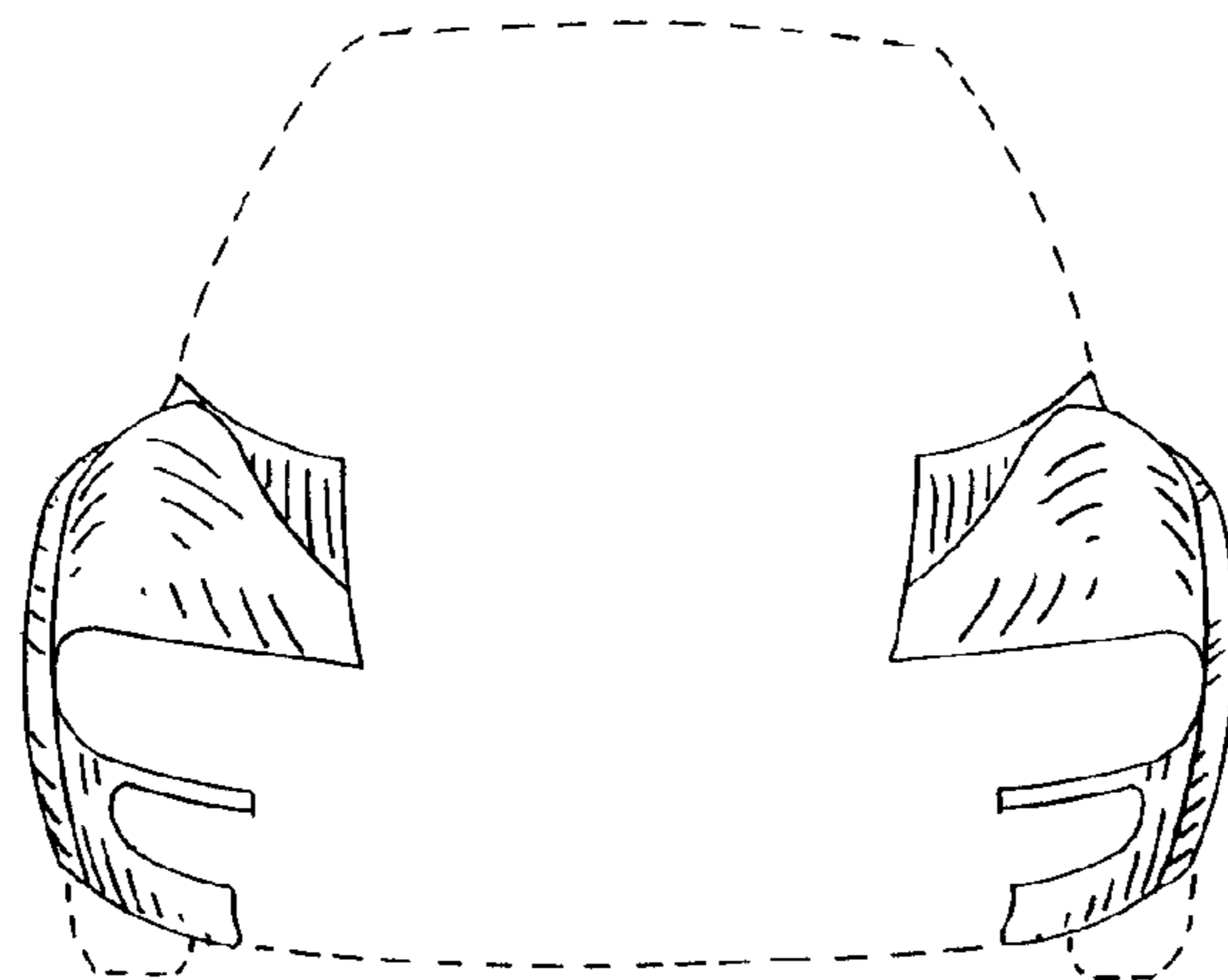


FIG. 3

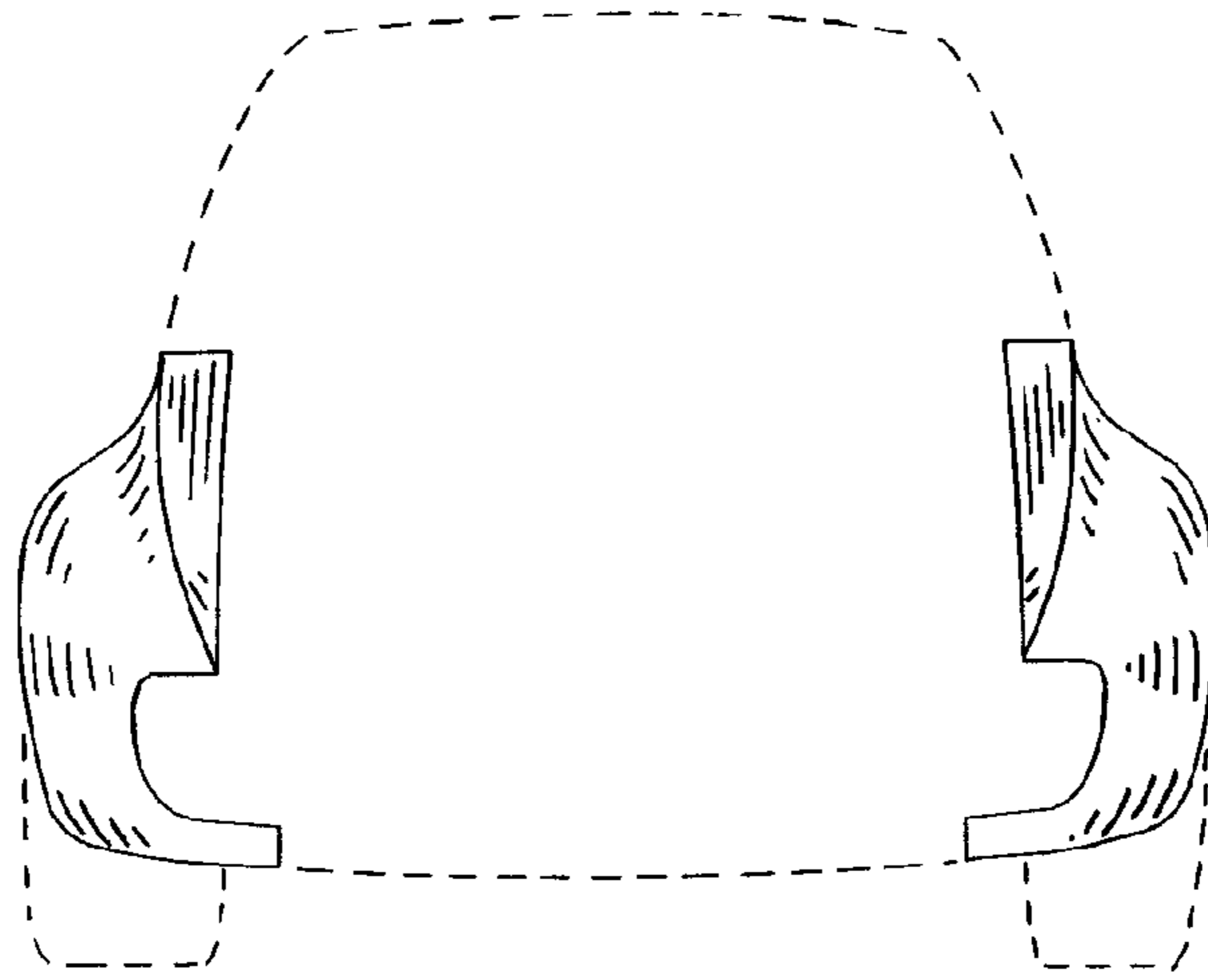


FIG. 4

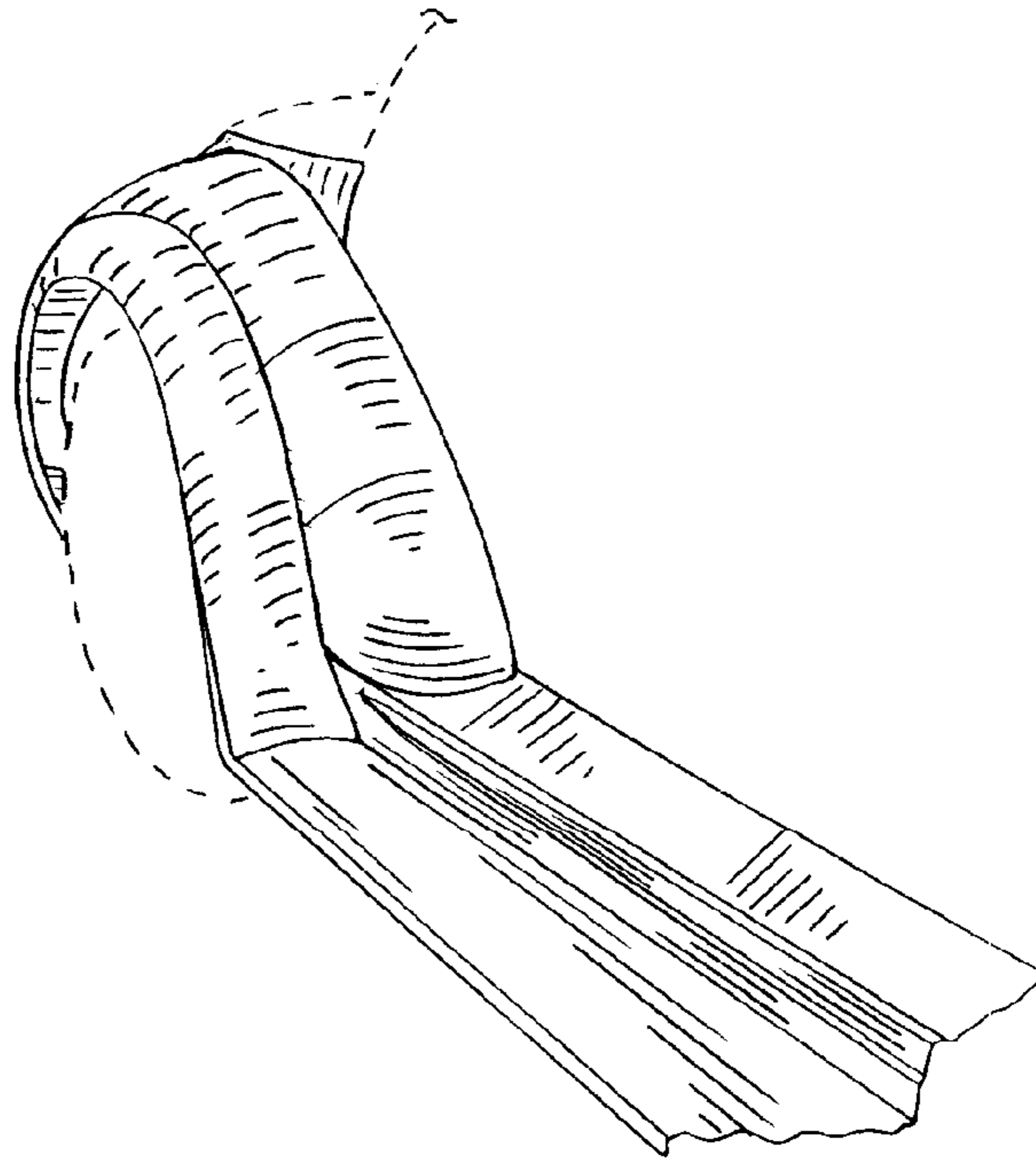


FIG. 5

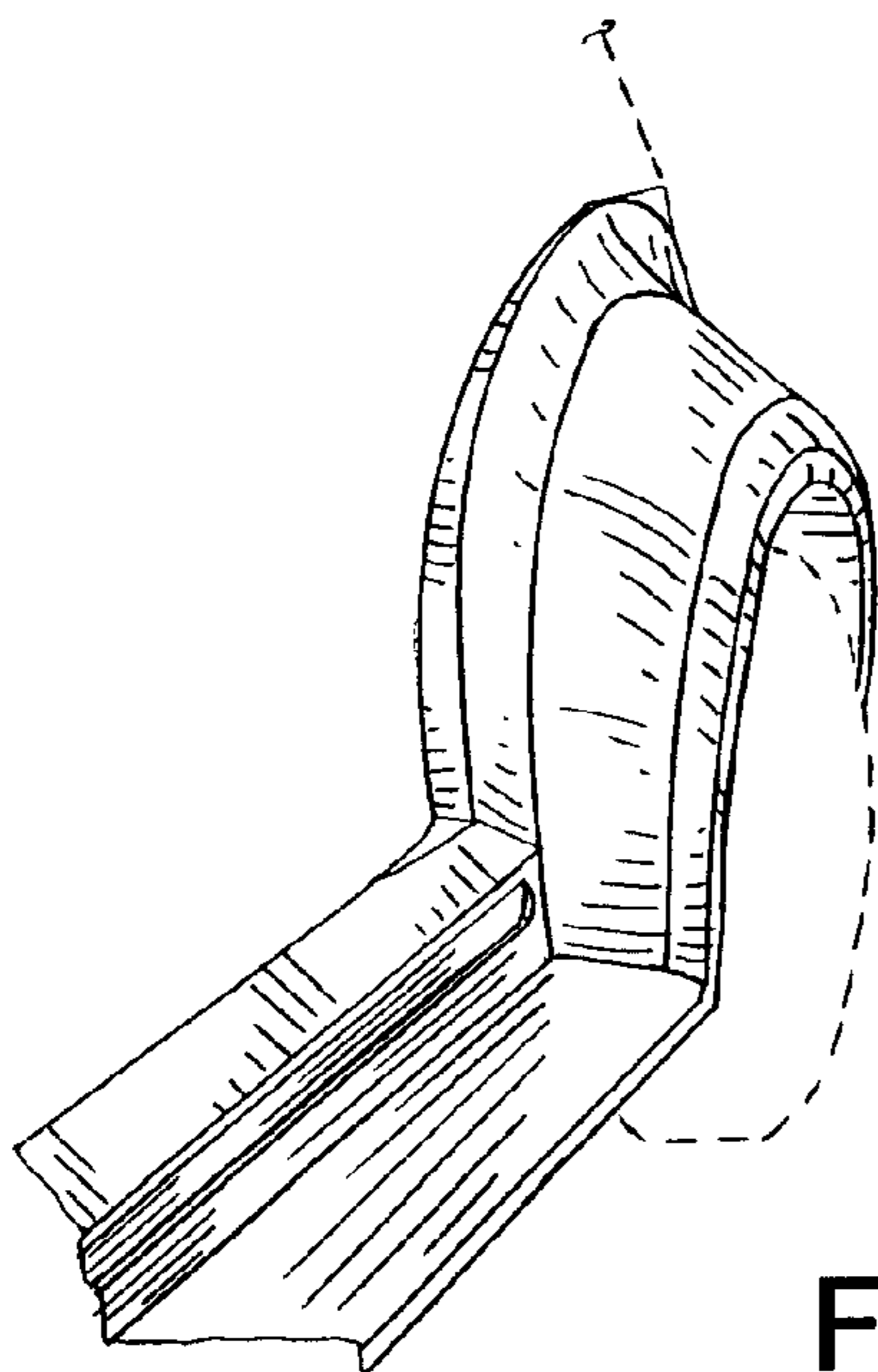


FIG. 6