



US00D573502S

(12) **United States Design Patent**
Lalo

(10) **Patent No.:** **US D573,502 S**
(45) **Date of Patent:** **** Jul. 22, 2008**

(54) **WATCH**

(75) Inventor: **Eyal Lalo**, Hallandale, FL (US)

(73) Assignee: **Invicta Watch Company of America, Inc.**, Hollywood, FL (US)

(**) Term: **14 Years**

(21) Appl. No.: **29/299,304**

(22) Filed: **Dec. 21, 2007**

(51) **LOC (8) Cl.** **10-07**

(52) **U.S. Cl.** **D10/122; D10/127**

(58) **Field of Classification Search** D10/30-39,
D10/122-132; 368/276, 281, 282, 285, 80,
368/223, 228, 232, 238

See application file for complete search history.

(56) **References Cited**

U.S. PATENT DOCUMENTS

D85,719	S	*	12/1931	Stephens et al.	D10/124
3,404,527	A	*	10/1968	Tripet et al.	368/231
4,757,485	A	*	7/1988	Man	368/281
D336,251	S	*	6/1993	Kishimoto	D10/39
D339,300	S	*	9/1993	Williamson	D10/34
D363,437	S	*	10/1995	Rabassa	D10/39
D388,335	S	*	12/1997	Giardiello	D10/32
D410,853	S	*	6/1999	Bulgari	D10/32
D415,043	S	*	10/1999	Fichter	D10/39

D423,951	S	*	5/2000	Fichter	D10/39
D438,472	S	*	3/2001	Fichter	D10/39
D443,214	S	*	6/2001	Bodino	D10/32
D452,449	S	*	12/2001	Hegi	D10/32
D459,236	S	*	6/2002	Haquet	D10/30
D487,229	S	*	3/2004	Monachon	D10/32
D500,452	S	*	1/2005	Itsubo	D10/39
D507,974	S	*	8/2005	Strasser	D10/30
D524,171	S	*	7/2006	Monachon	D10/32
D525,537	S	*	7/2006	Monachon	D10/32
D538,182	S	*	3/2007	Lalo	D10/32

* cited by examiner

Primary Examiner—Lucy Lieberman

(74) *Attorney, Agent, or Firm*—Howard Natter; Natter & Natter

(57) **CLAIM**

The ornamental design for a watch, as shown and described.

DESCRIPTION

FIG. 1 is a front elevational view of a watch showing my new design;

FIG. 2 is a top plan view thereof; and,

FIG. 3 is a right side elevational view thereof.

The broken-line showing is for illustrative purposes only and forms no part of the claimed design.

1 Claim, 1 Drawing Sheet

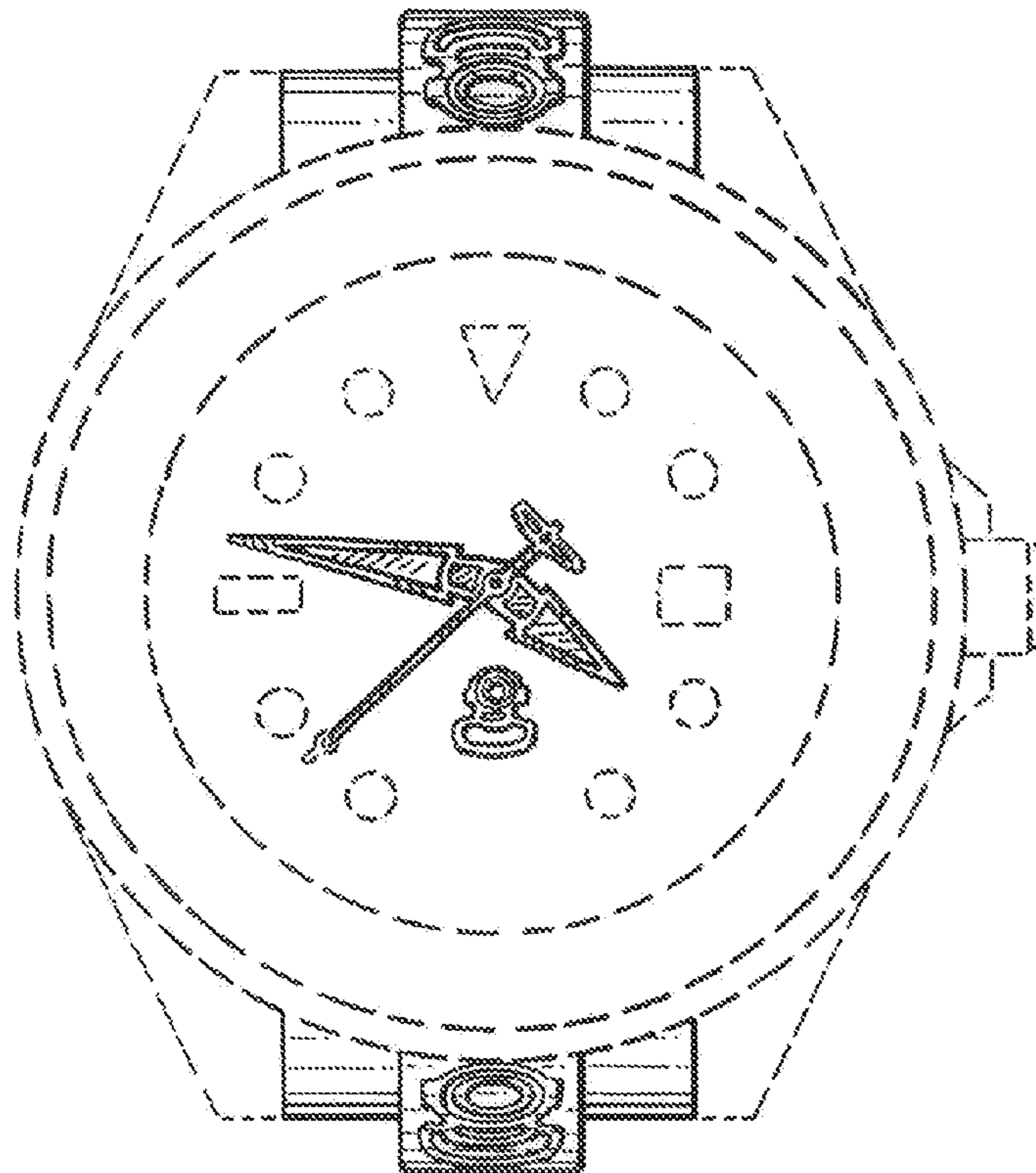


FIG. 2

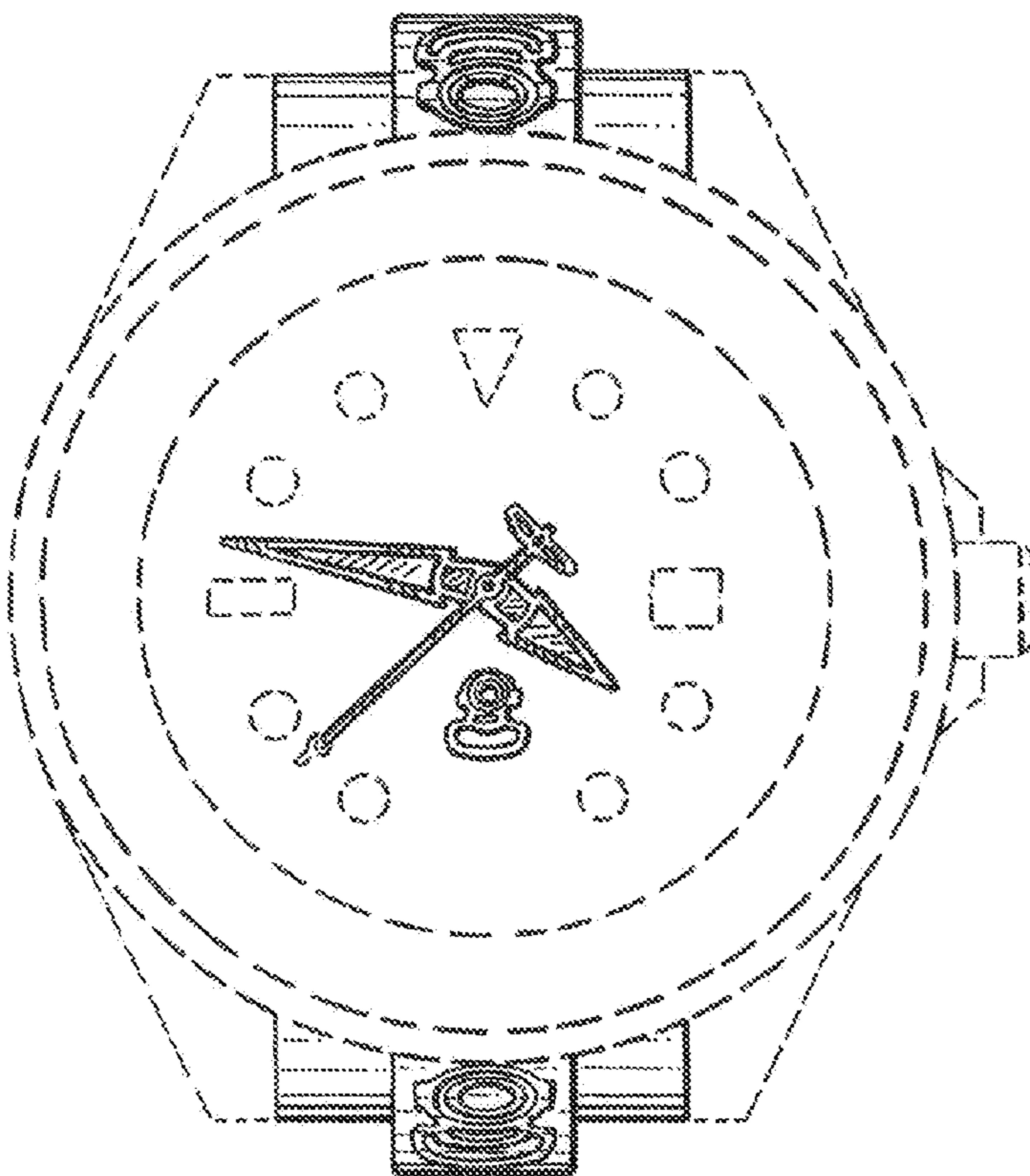
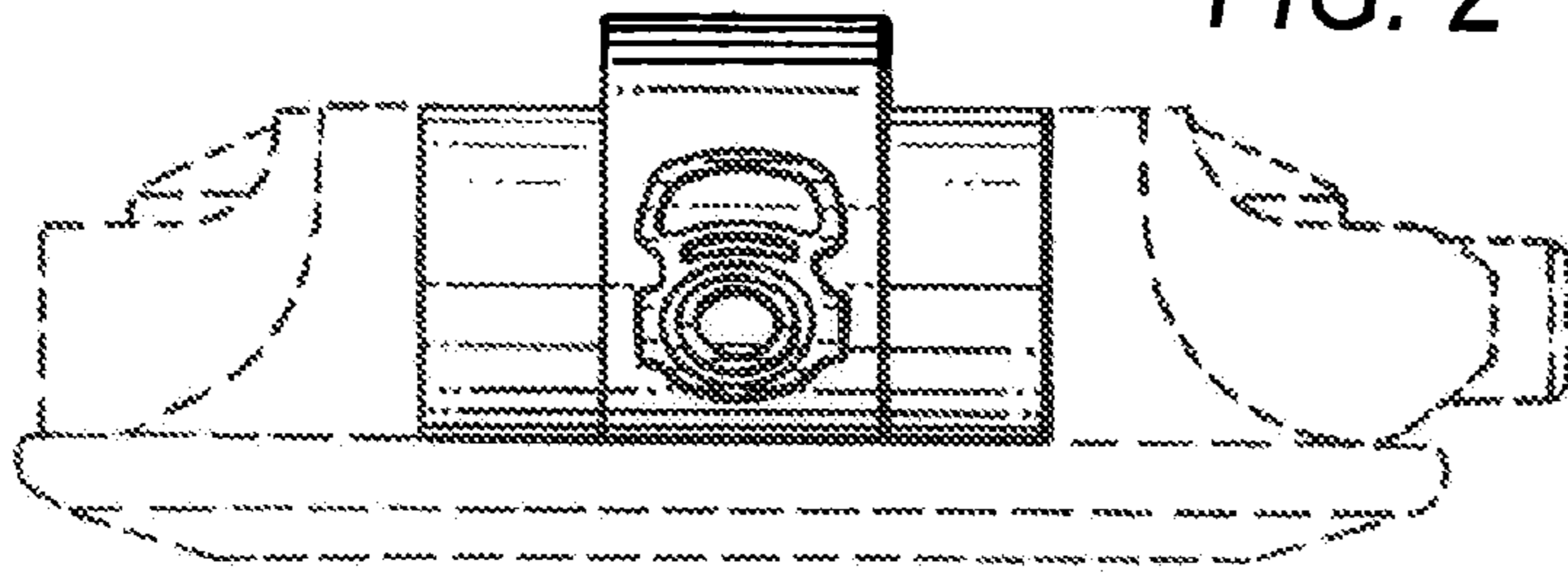


FIG. 1

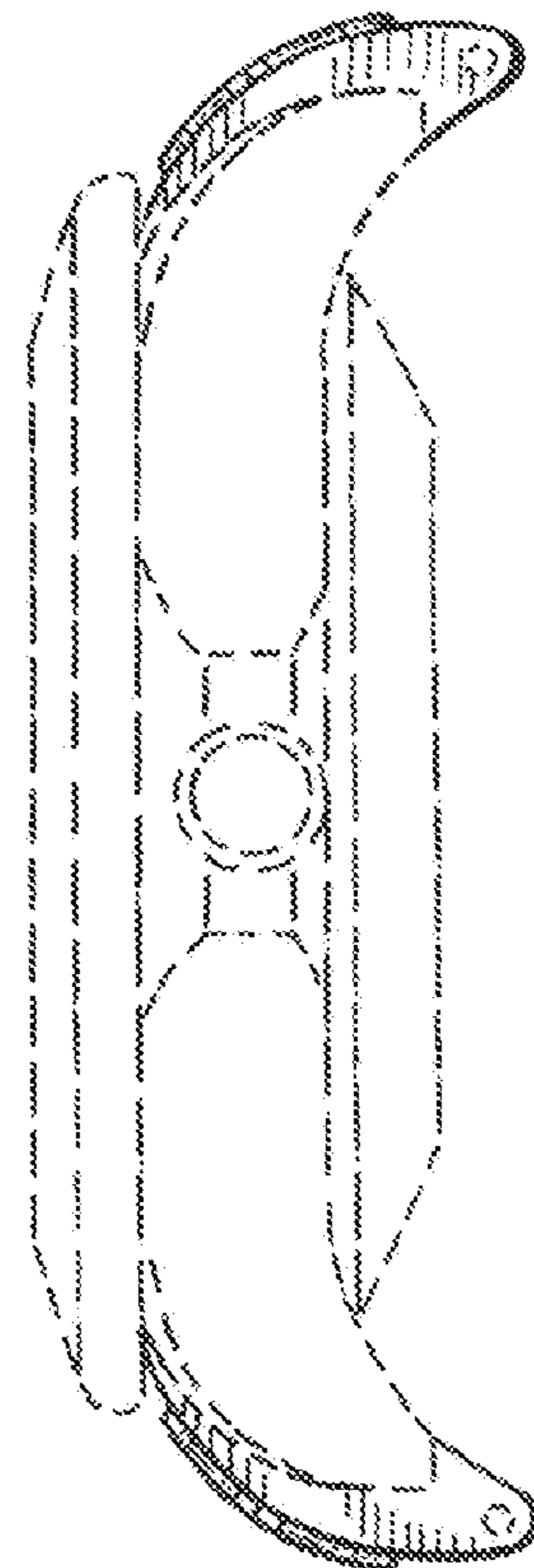


FIG. 3