



US00D573501S

(12) **United States Design Patent**  
**Béland et al.**

(10) **Patent No.:** **US D573,501 S**  
(45) **Date of Patent:** **\*\* Jul. 22, 2008**

(54) **CHIME HOUSING**

(75) Inventors: **Stéphane Joseph Pierre Béland**,  
St-Jean-sur-Richelieu (CA); **Virginie**  
**Céline Geneviève Turcotte**, Verdun  
(CA); **Jésabelle Marie Irène Daoust**, La  
Prairie (CA)

(73) Assignee: **Novar ED & S Limited** (GB)

(\*\*) Term: **14 Years**

(21) Appl. No.: **29/283,464**

(22) Filed: **Aug. 15, 2007**

(51) **LOC (8) Cl.** ..... **10-05**

(52) **U.S. Cl.** ..... **D10/118; D10/121**

(58) **Field of Classification Search** ..... D10/116–121;  
D26/72, 85, 88; 340/384.7, 392.1  
See application file for complete search history.

(56) **References Cited**

**U.S. PATENT DOCUMENTS**

D124,405 S	*	12/1940	Hammond	.....	D10/118
D187,569 S	*	3/1960	Holly	.....	D10/118
D215,189 S	*	9/1969	Doggart	.....	D10/118
D264,320 S	*	5/1982	Doggart	.....	D10/118
D355,143 S	*	2/1995	Lee et al.	.....	D10/118
D399,328 S	*	10/1998	Compton	.....	D26/72
D407,838 S	*	4/1999	Compton	.....	D26/67
D410,404 S	*	6/1999	Scheibe	.....	D10/118
D439,186 S	*	3/2001	Kovens et al.	.....	D10/118
D478,832 S	*	8/2003	Dipple	.....	D10/106
2003/0090369 A1	*	5/2003	Albritton et al.	.....	340/392.1

**OTHER PUBLICATIONS**

“Heath Zenith Large Chime, Heath Zenith Light and Door Chimes”,  
<http://12.153.20.72/cgi-bin/chimeswdc.cgi?product=1> Available  
before Aug. 15, 2007, 1 page.

“Nutone BK105, Wire Chimes Builder Kits”, <http://www.nutone.com/product-detail.asp?ProductID=11246> Available before Aug. 15,  
2007, 2 pages.

“Nutone BK140, Wired Chimes Builder Kits”, <http://www.nutone.com/product-detail.asp?ProductID=11242> Available before Aug. 15,  
2007, 2 pages.

\* cited by examiner

*Primary Examiner*—Robert M. Spear

*Assistant Examiner*—George D Kirschbaum

(74) *Attorney, Agent, or Firm*—Pauly, Devries, Smith &  
Deffner, LLC

(57) **CLAIM**

The ornamental design for a chime housing, as shown and  
described.

**DESCRIPTION**

FIG. 1 is a front perspective view of a chime housing.

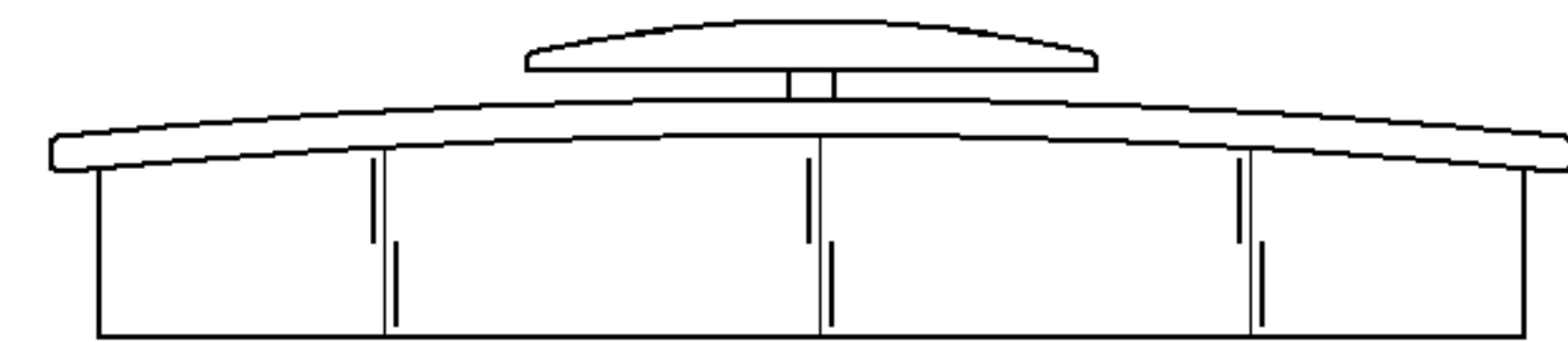
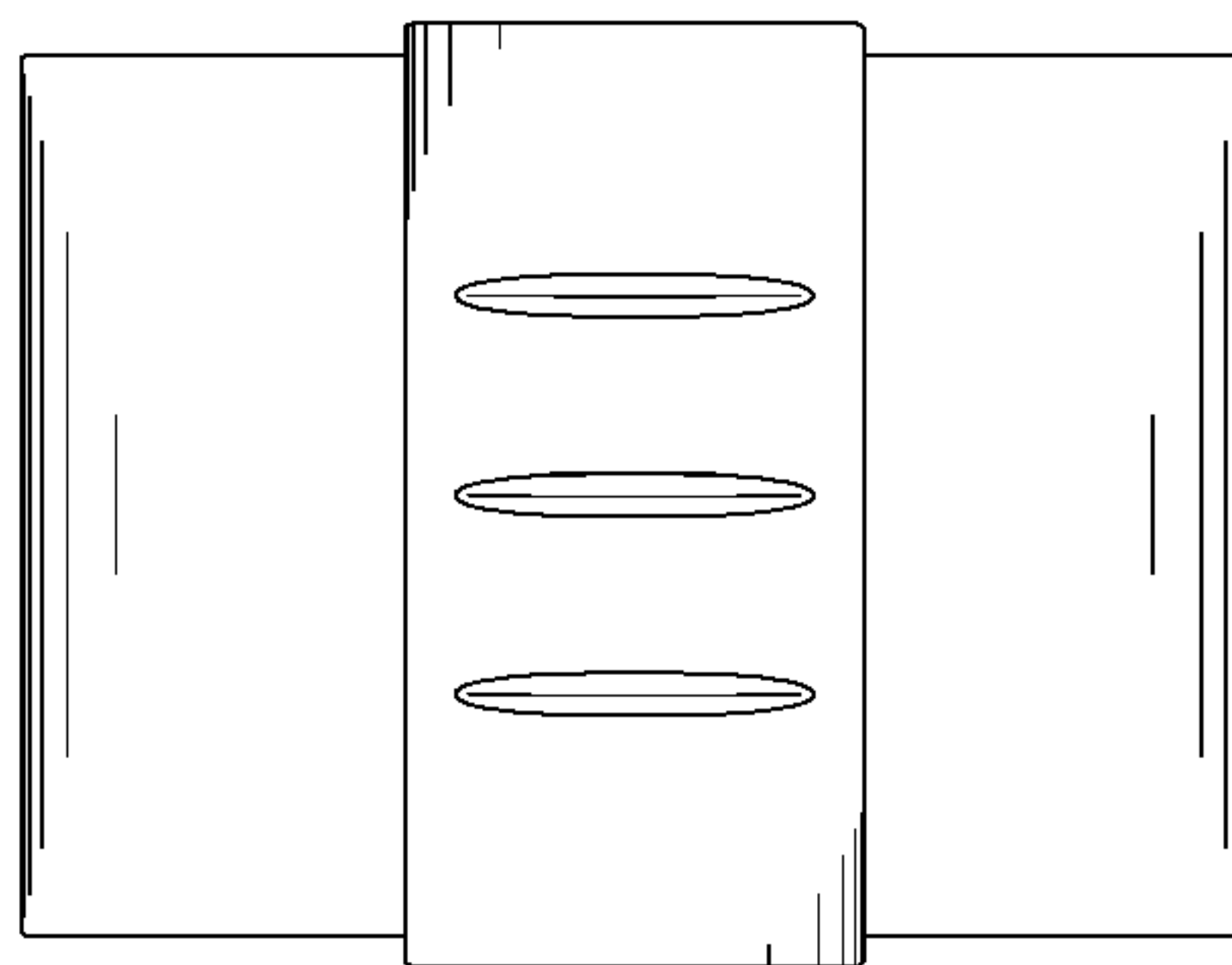
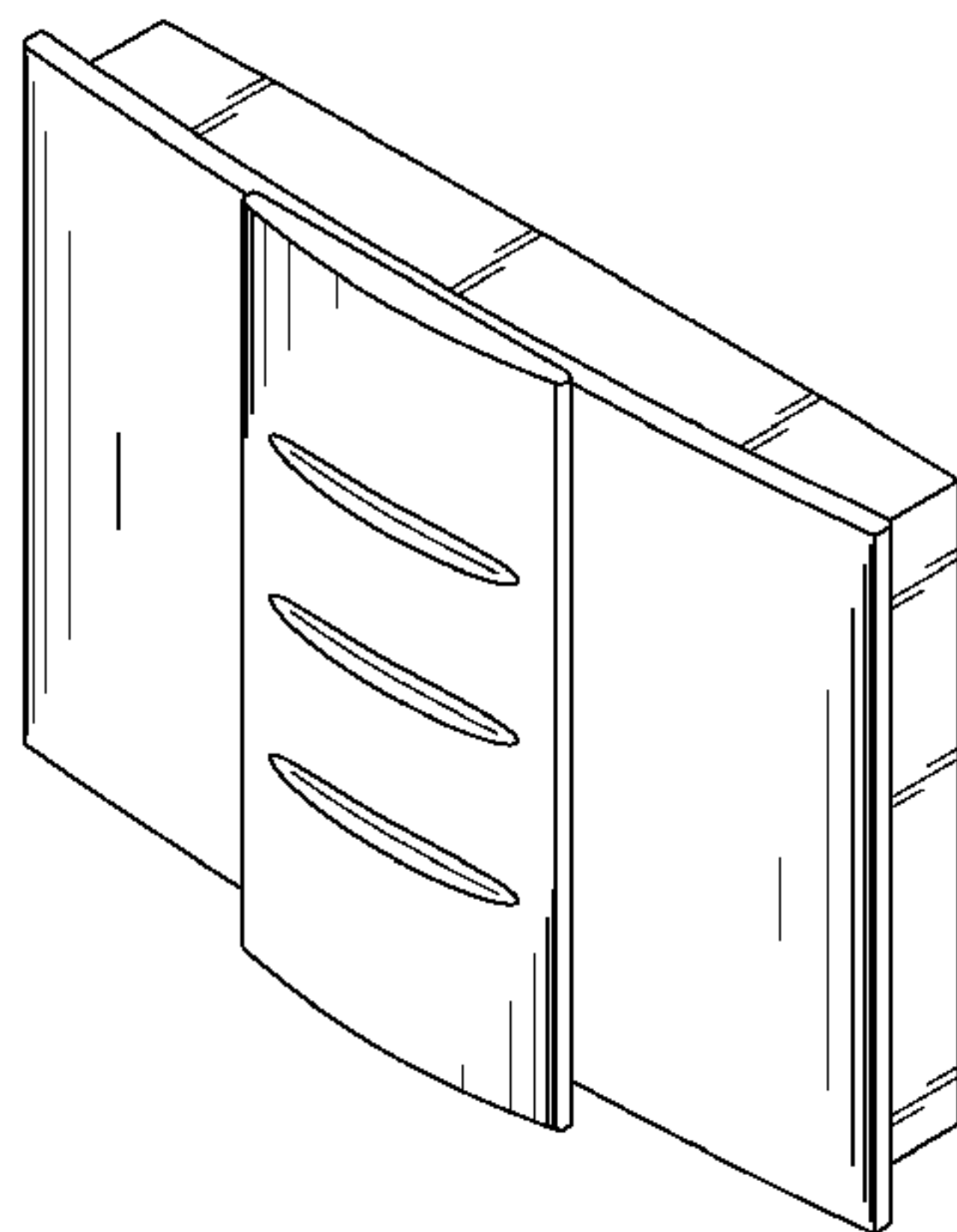
FIG. 2 is a front elevation view of the chime housing.

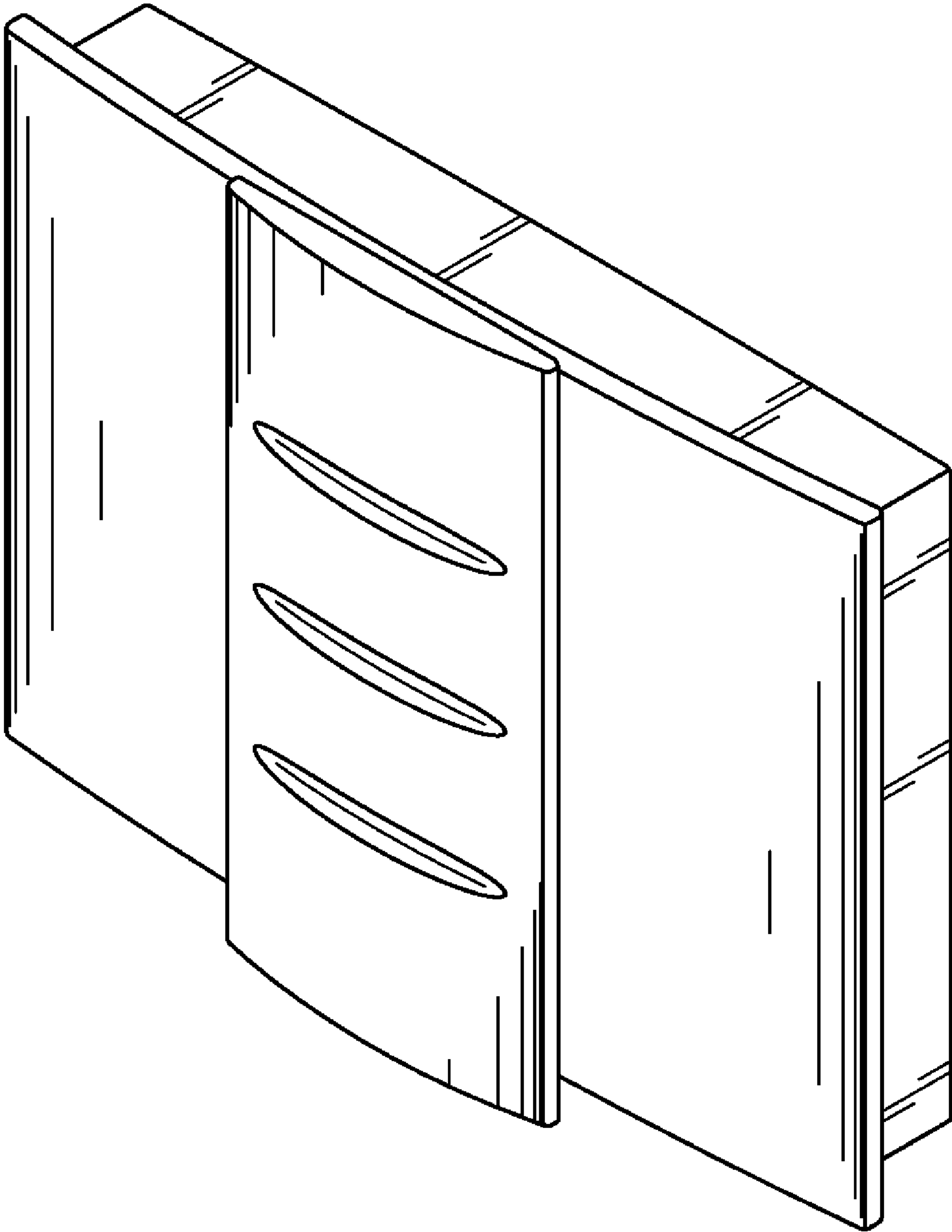
FIG. 3 is a left side elevation view of the chime housing. The  
right side elevation view is a mirror image of the left side  
elevation view; and,

FIG. 4 is a bottom elevation view of the chime housing. The  
top elevation view is a mirror image of the bottom elevation  
view.

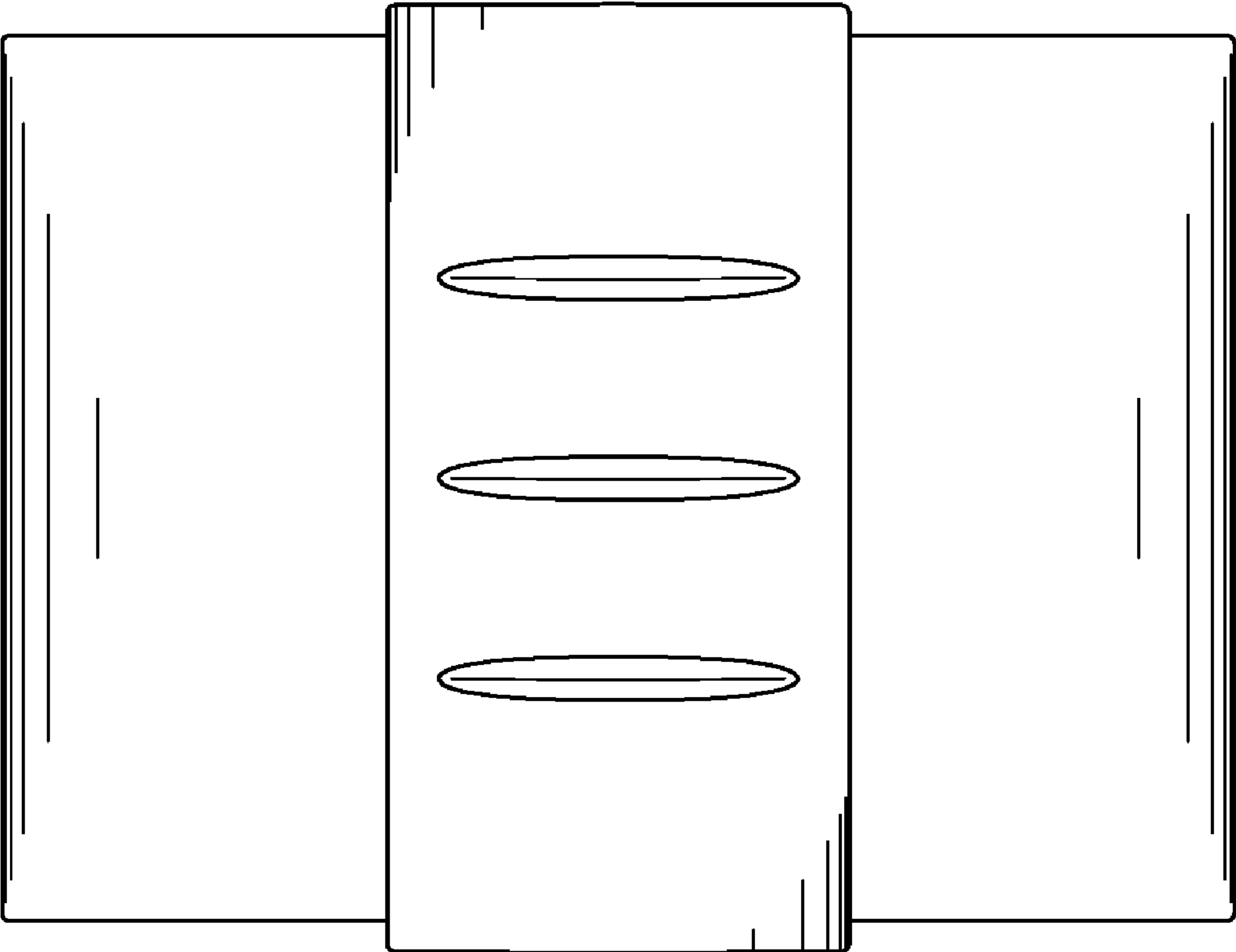
The rear view of the chime housing forms no part of the  
claimed design.

**1 Claim, 3 Drawing Sheets**

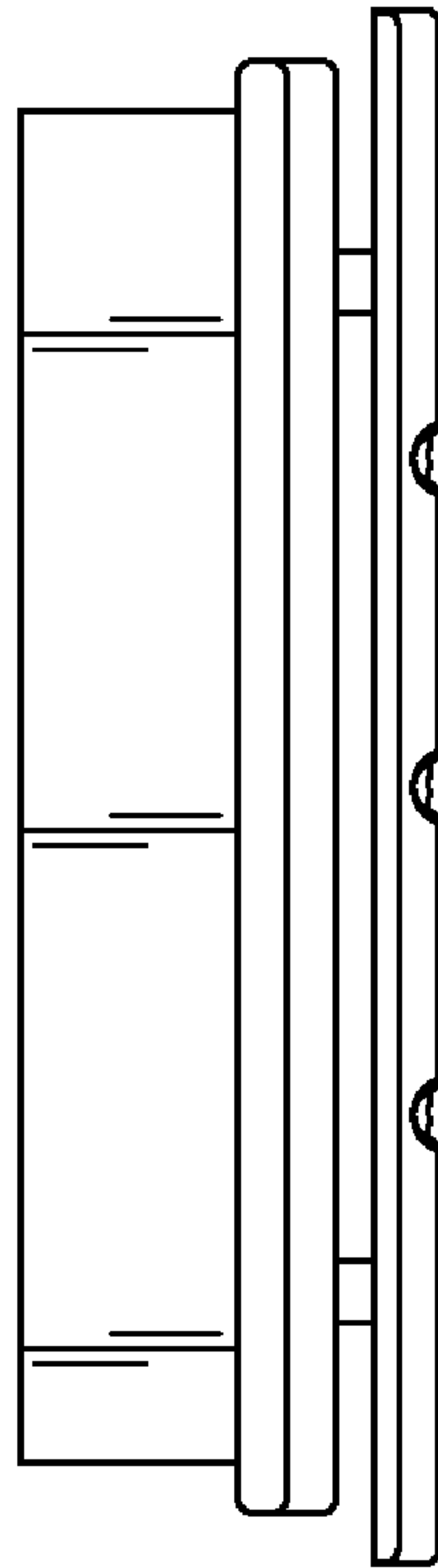




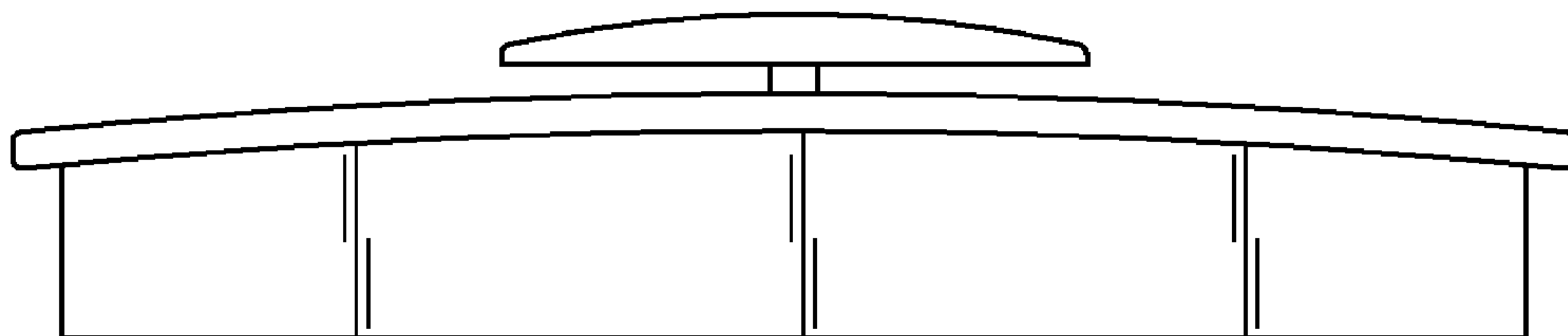
*FIG. 1*



*FIG. 2*



*FIG. 3*



*FIG. 4*