



US00D573500S

(12) **United States Design Patent**  
**Béland et al.**

(10) **Patent No.:** **US D573,500 S**  
(45) **Date of Patent:** **\*\* Jul. 22, 2008**

(54) **CHIME HOUSING**

(75) Inventors: **Stéphane Joseph Pierre Béland**,  
St-Jean-sur-Richelieu (CA); **Virginie**  
**Céline Geneviève Turcotte**, Verdun  
(CA); **Jésabelle Marie Irène Daoust**, La  
Prairie (CA)

(73) Assignee: **Novar ED&S Limited** (GB)

(\*\*) Term: **14 Years**

(21) Appl. No.: **29/283,461**

(22) Filed: **Aug. 15, 2007**

(51) **LOC (8) Cl.** ..... **10-05**

(52) **U.S. Cl.** ..... **D10/118; D10/121**

(58) **Field of Classification Search** ..... D10/116–121;  
D26/72, 85, 88; 340/384.7, 392.1

See application file for complete search history.

(56) **References Cited**

**U.S. PATENT DOCUMENTS**

D124,405 S *	12/1940	Hammond	.....	D10/118
D187,569 S *	3/1960	Jolly	.....	D10/118
D215,189 S *	9/1969	Doggart	.....	D10/118
D264,320 S *	5/1982	Doggart	.....	D10/118
D355,143 S *	2/1995	Lee et al.	.....	D10/118
D399,328 S *	10/1998	Compton	.....	D26/72
D407,838 S *	4/1999	Compton	.....	D26/67
D410,404 S *	6/1999	Scheibe	.....	D10/118
D439,186 S *	3/2001	Kovens et al.	.....	D10/118
D478,832 S *	8/2003	Dipple	.....	D10/106
2003/0090369 A1 *	5/2003	Albritton et al.	.....	340/392.1

**OTHER PUBLICATIONS**

“Heath Zenith Large Chime, Heath Zenith Light and Door Chimes”,  
<http://12.153.20.72/cgi-bin/chimeswdc.cgi?product=1> Available  
before Aug. 15, 2007, 1 page.

“Nutone BK105, Wire Chimes Builder Kits”, <http://www.nutone.com/product-detail.asp?ProductID=11246> Available before Aug. 15, 2007, 2 pages.

“Nutone BK140, Wired Chimes Builder Kits”, <http://www.nutone.com/product-detail.asp?ProductID=11242> Available before Aug. 15, 2007, 2 pages.

\* cited by examiner

*Primary Examiner*—Robert M. Spear

*Assistant Examiner*—George D Kirschbaum

(74) *Attorney, Agent, or Firm*—Pauly, Devries, Smith & Deffner LLC

(57) **CLAIM**

The ornamental design for a chime housing, as shown and described.

**DESCRIPTION**

FIG. 1 is a front perspective view of a chime housing.

FIG. 2 is a front elevation view of the chime housing.

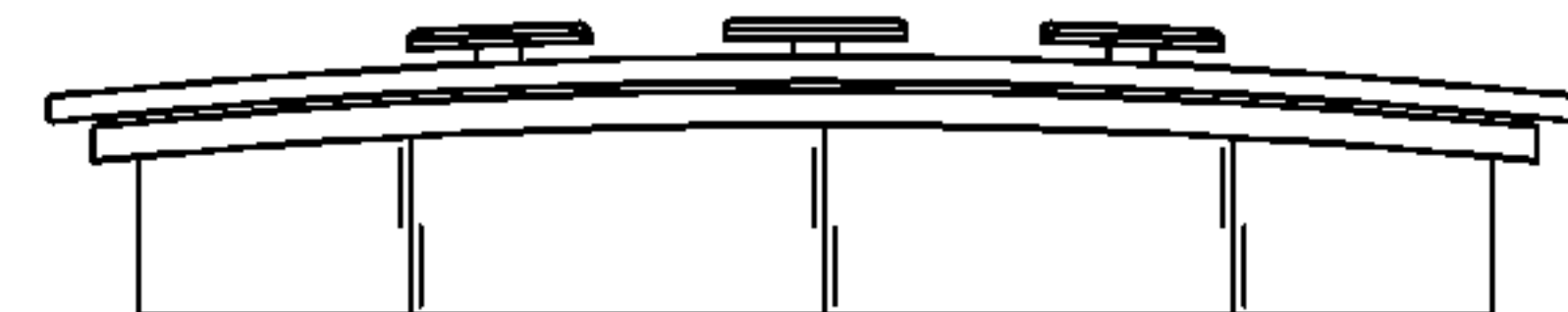
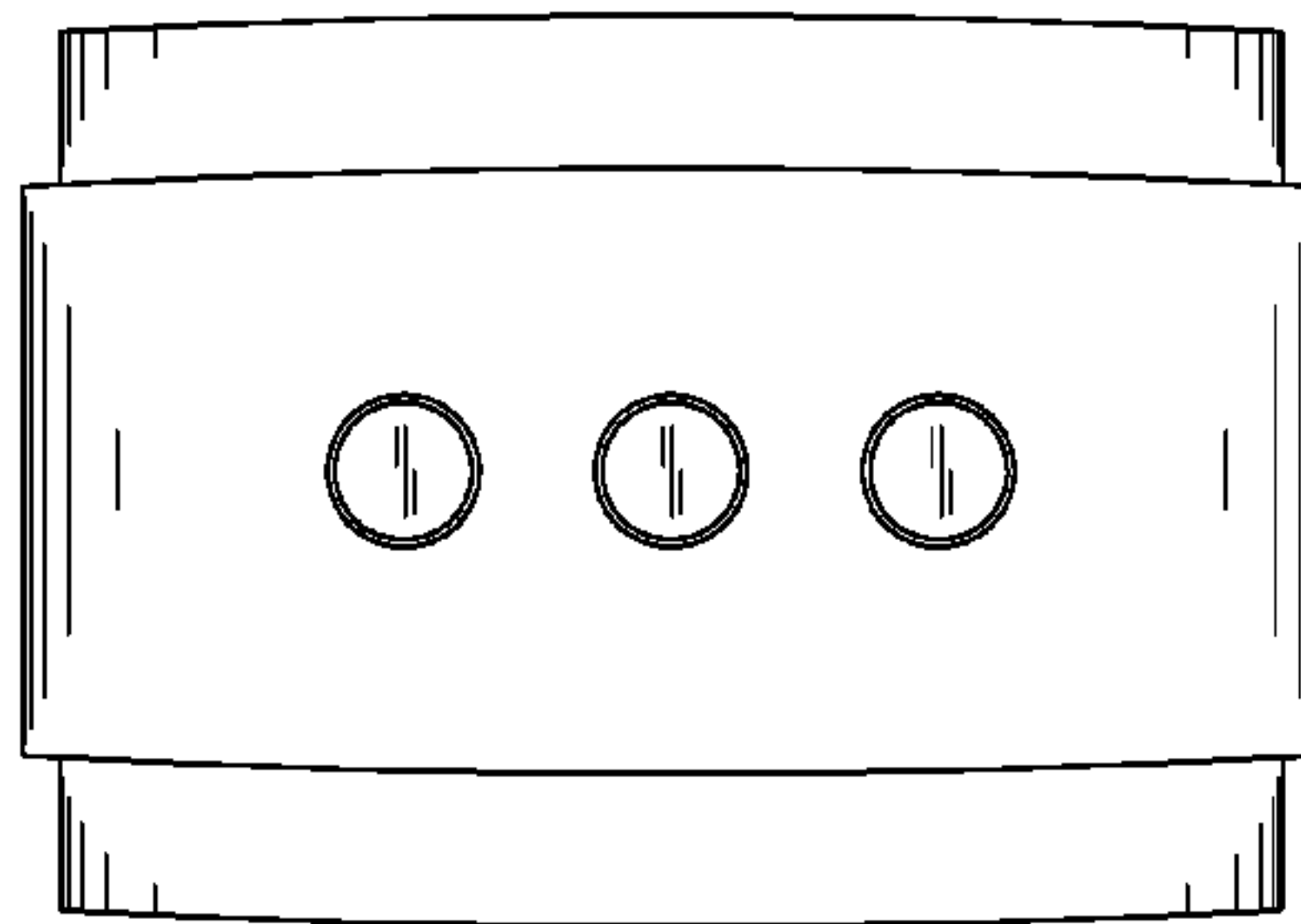
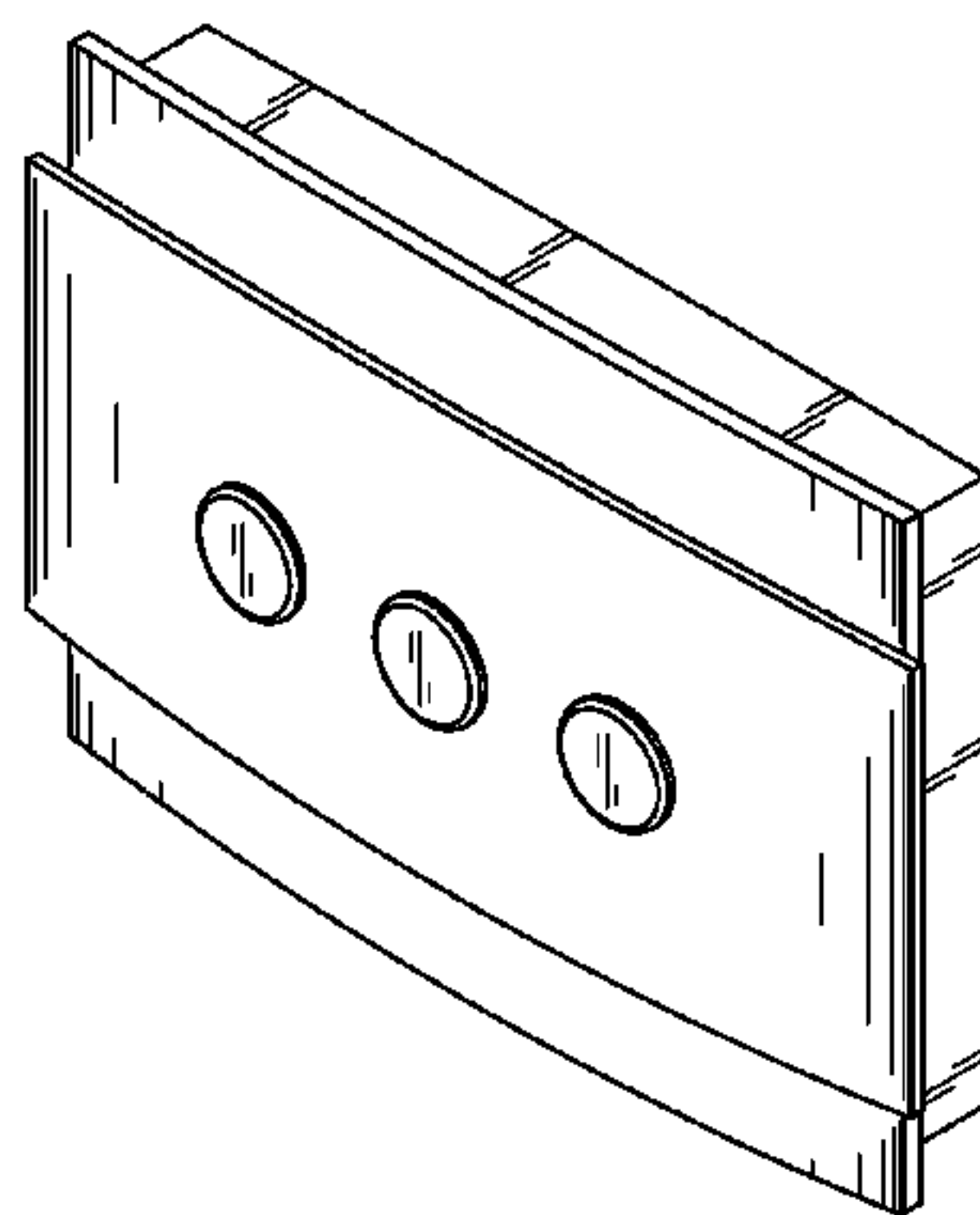
FIG. 3 is a left side elevation view of the chime housing. The right side elevation view is a mirror image of the left side elevation view; and,

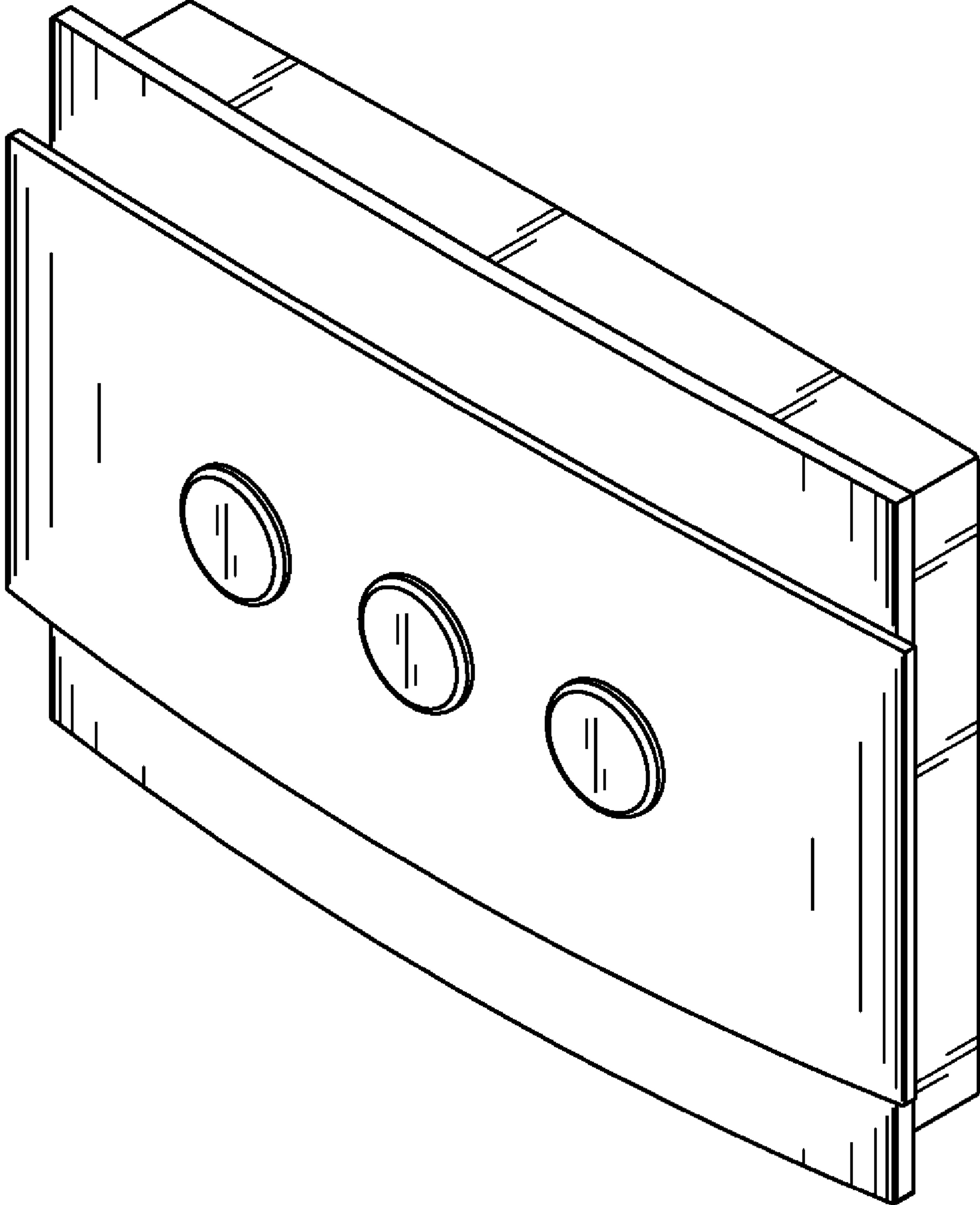
FIG. 4 is a bottom elevation view of the chime housing. The top elevation view is a mirror image of the bottom elevation view.

The rear view of the chime housing forms no part of the claimed design.

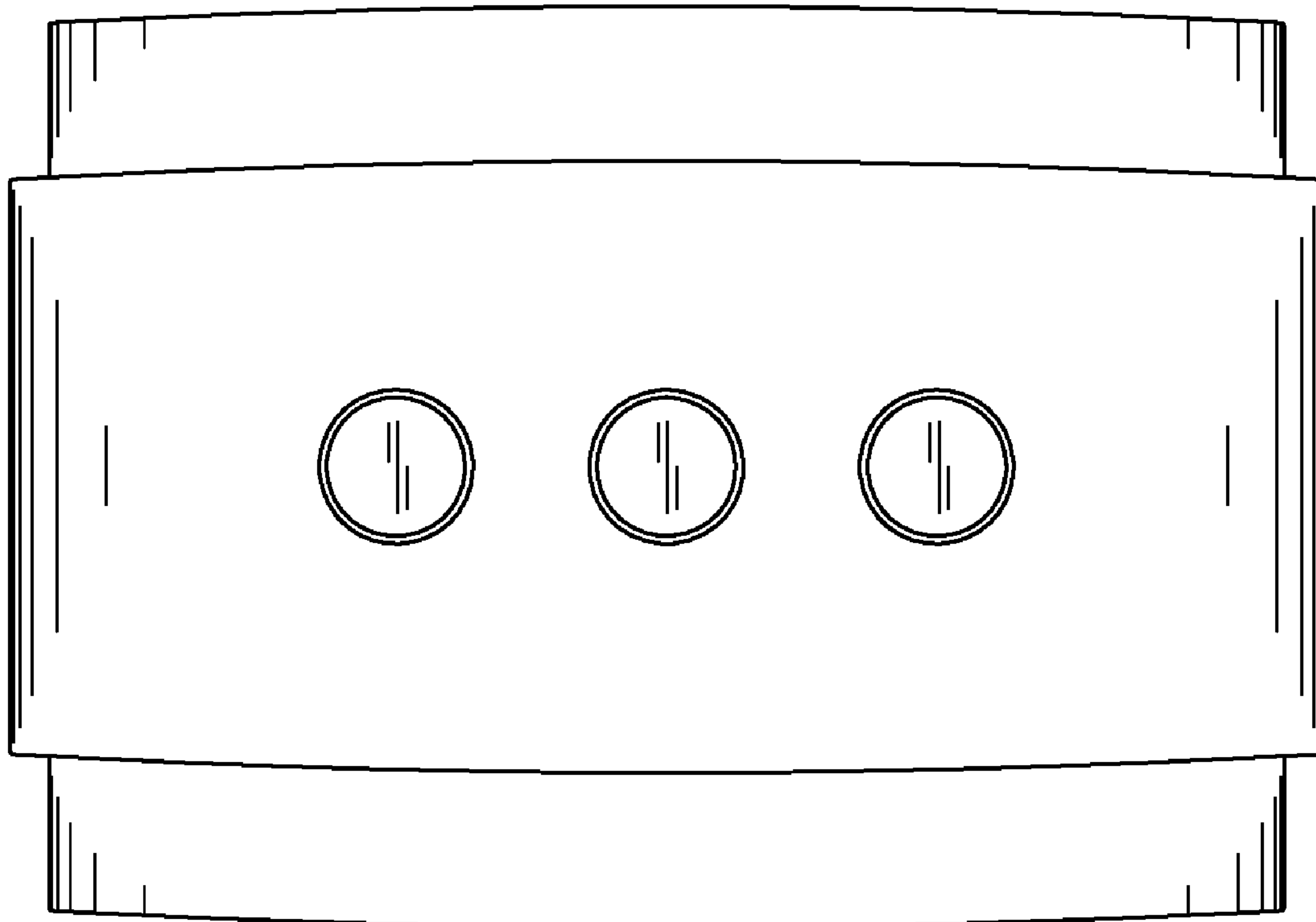
No claim is made to the texture or surface finish of the embodiments shown in the Figures.

**1 Claim, 3 Drawing Sheets**

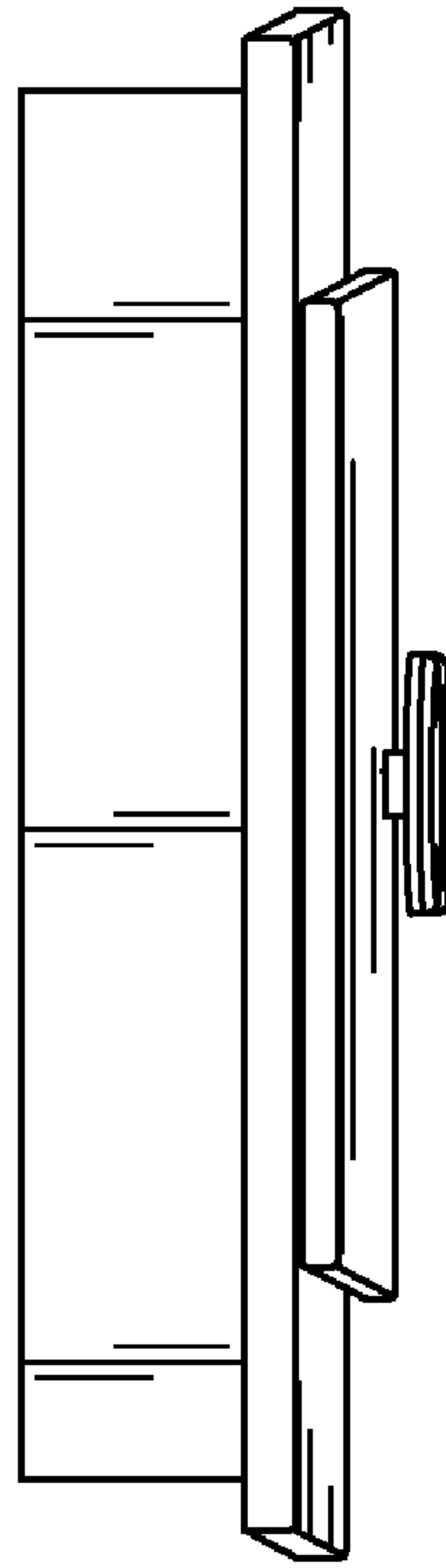




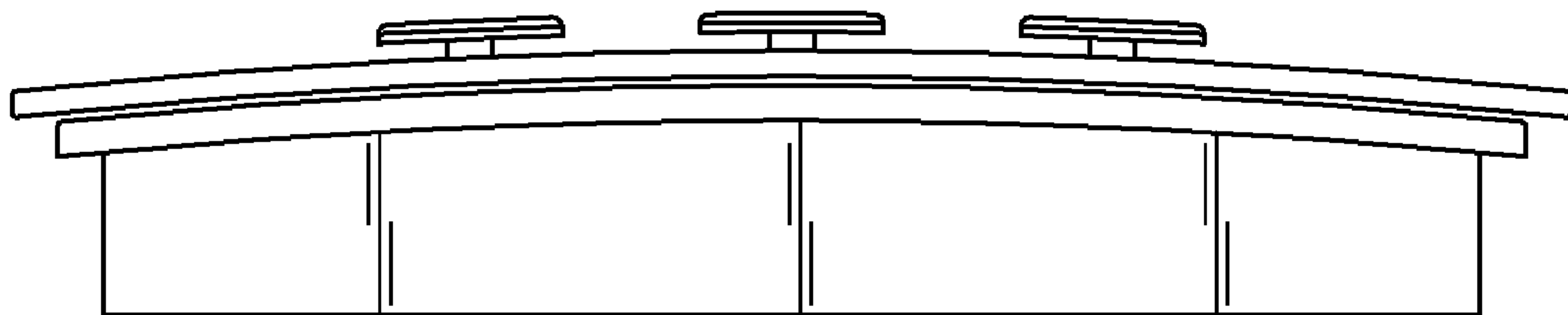
*FIG. 1*



*FIG. 2*



*FIG. 3*



*FIG. 4*