



US00D573498S

(12) **United States Design Patent**
Sherwood

(10) **Patent No.:** **US D573,498 S**

(45) **Date of Patent:** **** Jul. 22, 2008**

(54) **ITEM LOCATOR SYSTEM**

(76) **Inventor:** **Donald R. Sherwood**, 5420 Bent Oak Dr., Sarasota, FL (US) 34232

(**) **Term:** **14 Years**

(21) **Appl. No.:** **29/293,898**

(22) **Filed:** **Dec. 17, 2007**

(51) **LOC (8) Cl.** **10-05**

(52) **U.S. Cl.** **D10/104**

(58) **Field of Classification Search** D10/104,
D10/106; D14/248, 138, 230; 340/539.32,
340/539.1, 572.1, 991; D9/423

See application file for complete search history.

(56) **References Cited**

U.S. PATENT DOCUMENTS

5,677,673	A *	10/1997	Kipnis	340/539.32
D385,873	S *	11/1997	Nagele et al.	D14/138
D388,721	S *	1/1998	Kinner	D10/104
D394,408	S *	5/1998	Davila	D10/106
D423,389	S *	4/2000	Boyd	D10/104
6,133,832	A *	10/2000	Winder et al.	340/572.1
D453,698	S *	2/2002	Marks	D10/104
D464,033	S *	10/2002	Piano-Poirier	D14/144
6,501,378	B1 *	12/2002	Knaven	340/539.1

D492,675	S *	7/2004	Wei et al.	D14/248
6,774,787	B1 *	8/2004	Melbourne	340/539.1
D520,393	S *	5/2006	Darby	D10/104
D534,822	S *	1/2007	Wadda	D10/104
D536,273	S *	2/2007	Gebelein et al.	D10/104
2006/0077056	A1 *	4/2006	Bernal-Silva et al.	..	340/539.32

* cited by examiner

Primary Examiner—Robert M. Spear

Assistant Examiner—George D Kirschbaum

(74) *Attorney, Agent, or Firm*—David J. Wilson

(57) **CLAIM**

An ornamental design for item locator system, as shown and described.

DESCRIPTION

FIG. 1 is a front opened view of an item locator system showing my new design;

FIG. 2 is a back opened view thereof;

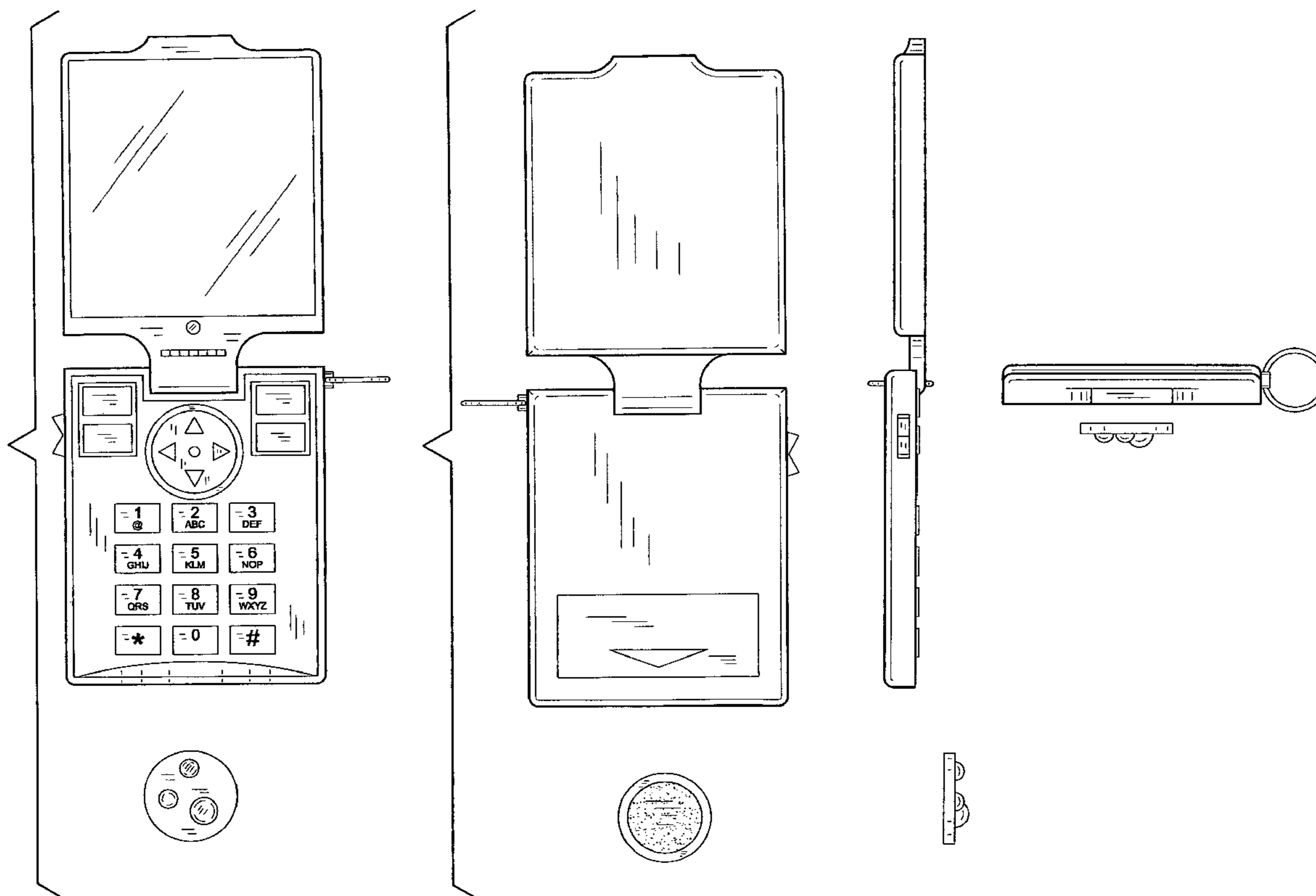
FIG. 3 is a right side opened view thereof;

FIG. 4 is a left side opened view thereof;

FIG. 5 is a top closed view thereof; and,

FIG. 6 is a bottom closed view thereof.

1 Claim, 3 Drawing Sheets



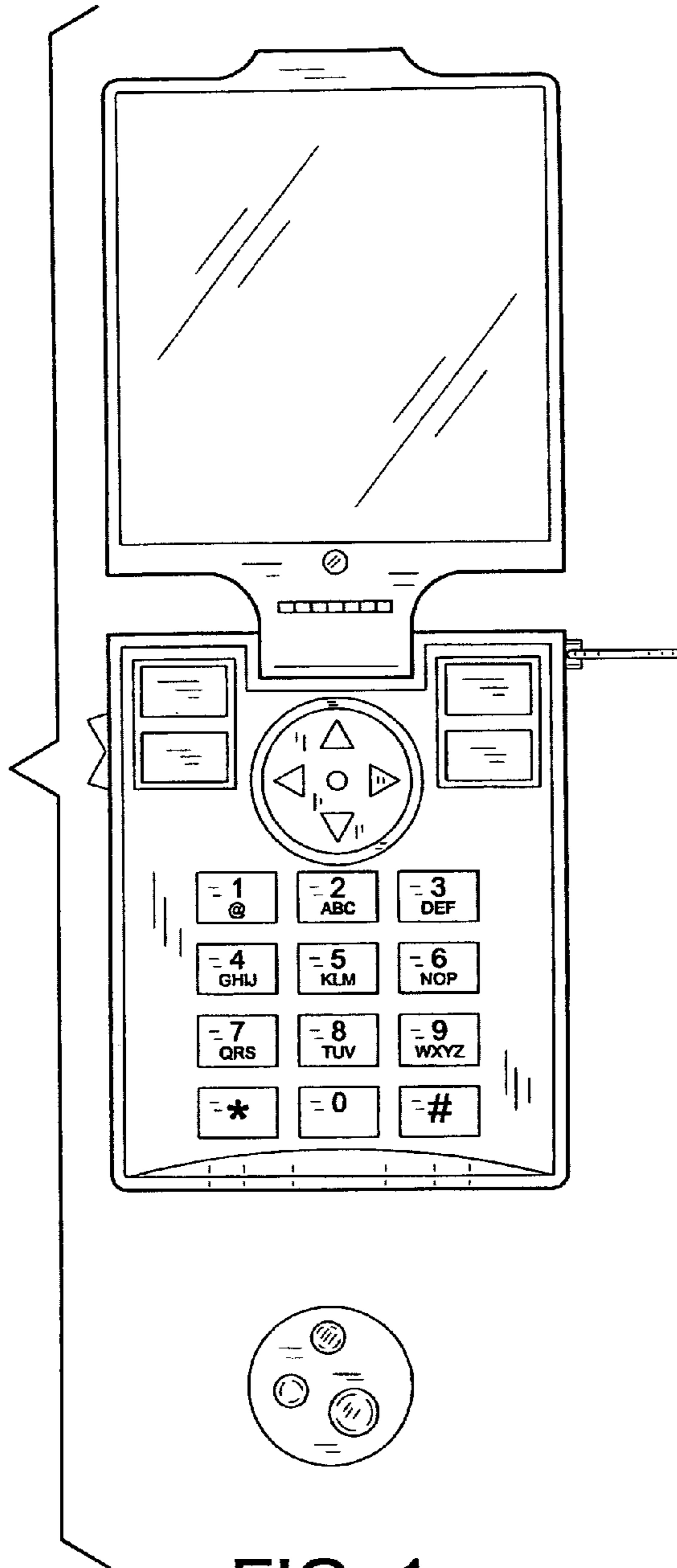


FIG. 1

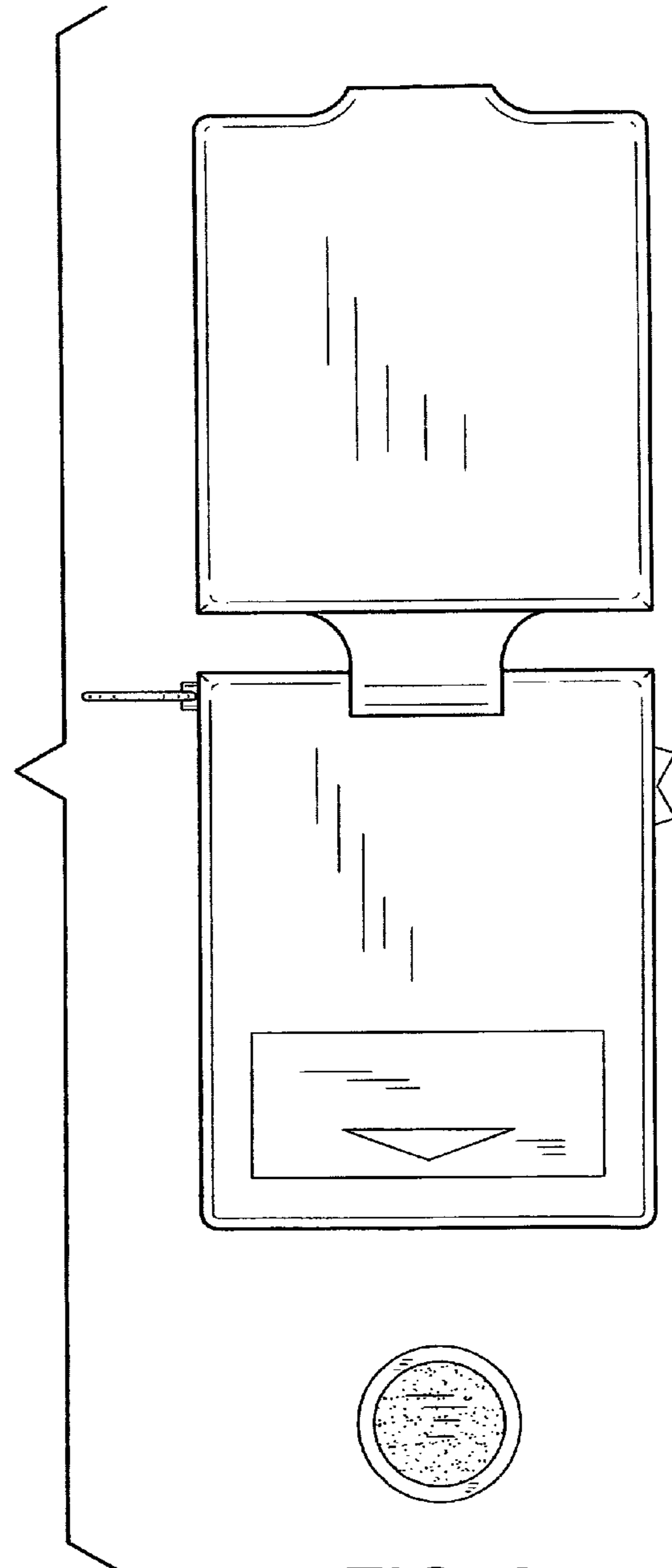


FIG. 2

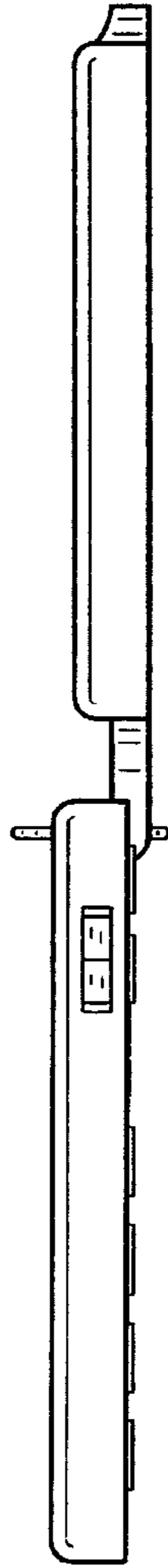


FIG. 3

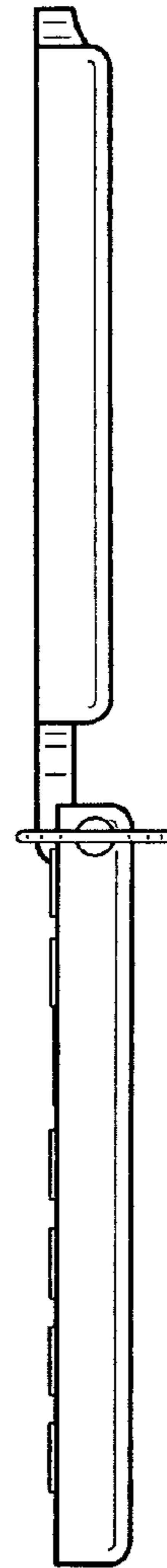


FIG. 4

FIG. 5

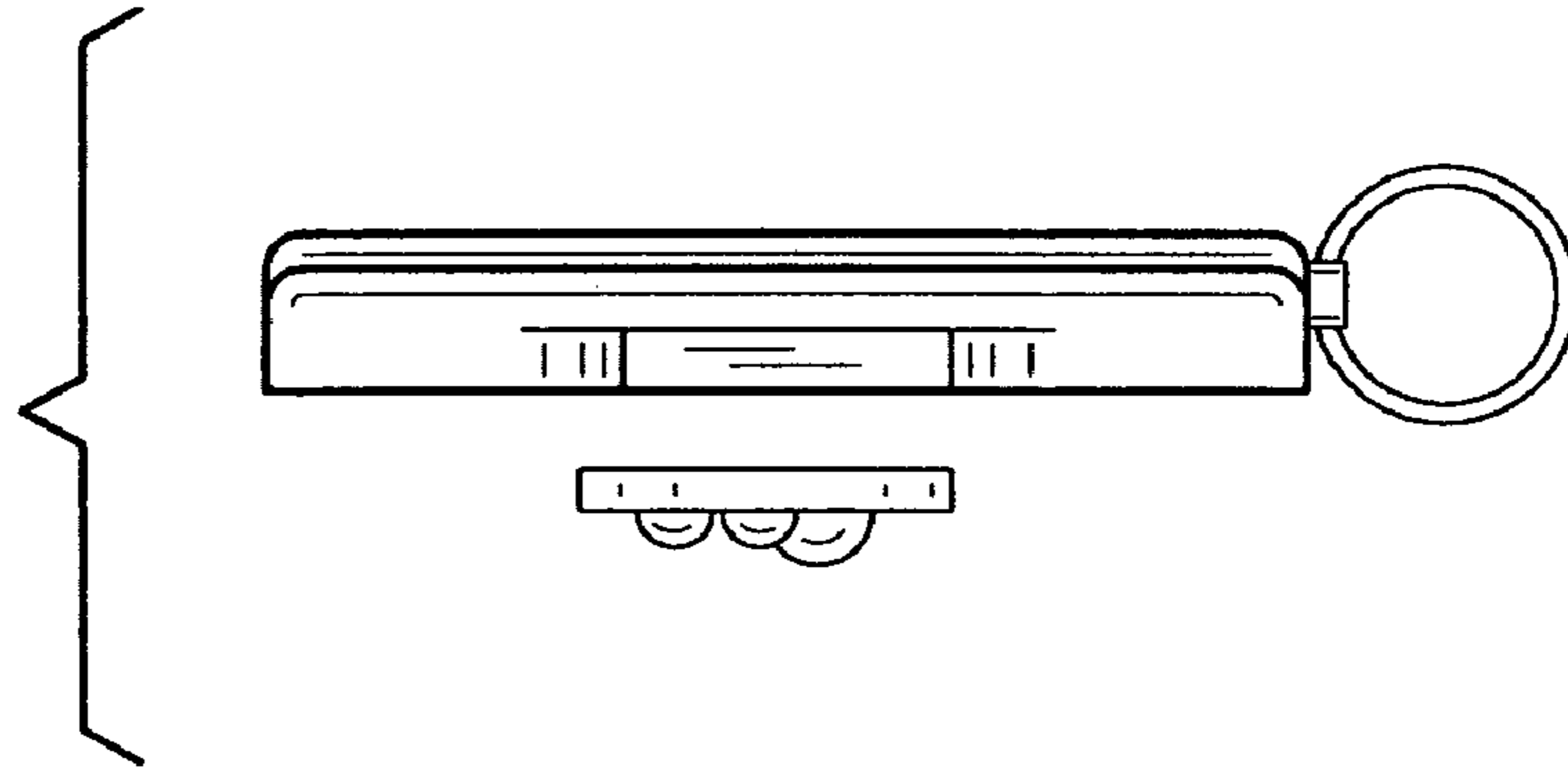


FIG. 6

