



US00D573494S

(12) **United States Design Patent**
Chen et al.

(10) **Patent No.:** **US D573,494 S**
(45) **Date of Patent:** **** Jul. 22, 2008**

(54) **TESTING DEVICE FOR ELECTRONIC COMPONENT**

(75) Inventors: **Chin-Feng Chen**, Taipei Hsien (TW);
Chiou-Lin Fan, Taipei Hsien (TW);
Ying-Chih Huang, Taipei Hsien (TW);
Tay-Yang Lin, Taipei Hsien (TW)

(73) Assignee: **Hon Hai Precision Industry Co., Ltd.**,
Tu-Cheng, Taipei Hsien (TW)

(**) Term: **14 Years**

(21) Appl. No.: **29/275,493**

(22) Filed: **Dec. 28, 2006**

(30) **Foreign Application Priority Data**

Oct. 11, 2006 (CN) 2006 3 0153707

(51) **LOC (8) Cl.** **10-04**

(52) **U.S. Cl.** **D10/75**

(58) **Field of Classification Search** D10/46,
D10/75-77; 73/7; 324/158.1, 210, 212;
360/106, 31; 369/223

See application file for complete search history.

(56) **References Cited**

U.S. PATENT DOCUMENTS

D271,136 S * 10/1983 Bollinger et al. D10/75

D335,822 S * 5/1993 Yamamuro et al. D10/75

D339,586 S * 9/1993 Ito et al. D10/46

D362,845 S * 10/1995 Ito et al. D10/75
D365,291 S * 12/1995 Chitty D10/75
D383,405 S * 9/1997 Horn et al. D10/76
2008/0049351 A1 * 2/2008 Yamanaka et al. 324/210

* cited by examiner

Primary Examiner—Antoine D Davis

(74) *Attorney, Agent, or Firm*—Wei Te Chung

(57) **CLAIM**

The ornamental design for a testing device for electronic component, as shown and described.

DESCRIPTION

FIG. 1 is a top, front, and right side perspective view of a testing device for electronic component showing our new design;

FIG. 2 is a front elevational view thereof;

FIG. 3 is a rear elevational view thereof;

FIG. 4 is a left-side, elevational view thereof;

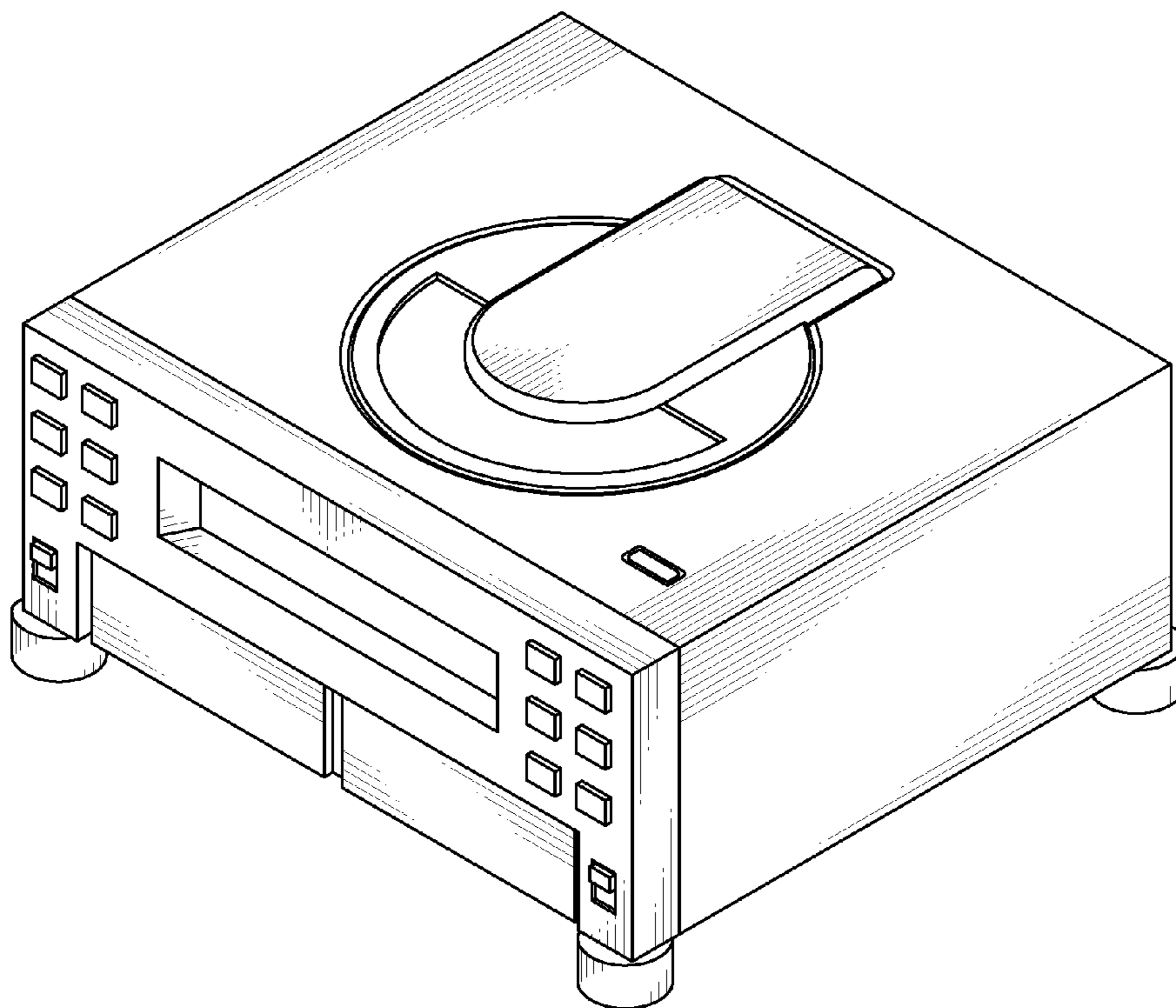
FIG. 5 is a right-side, elevational view thereof;

FIG. 6 is a top plan view thereof; and,

FIG. 7 is a top, front, and right-side perspective view, showing the article with a display thereof in a released position and a drawer in a drawn-out position.

(Broken line portions are only included to show the intended use environment and do not constitute a part of the claimed design.)

1 Claim, 7 Drawing Sheets



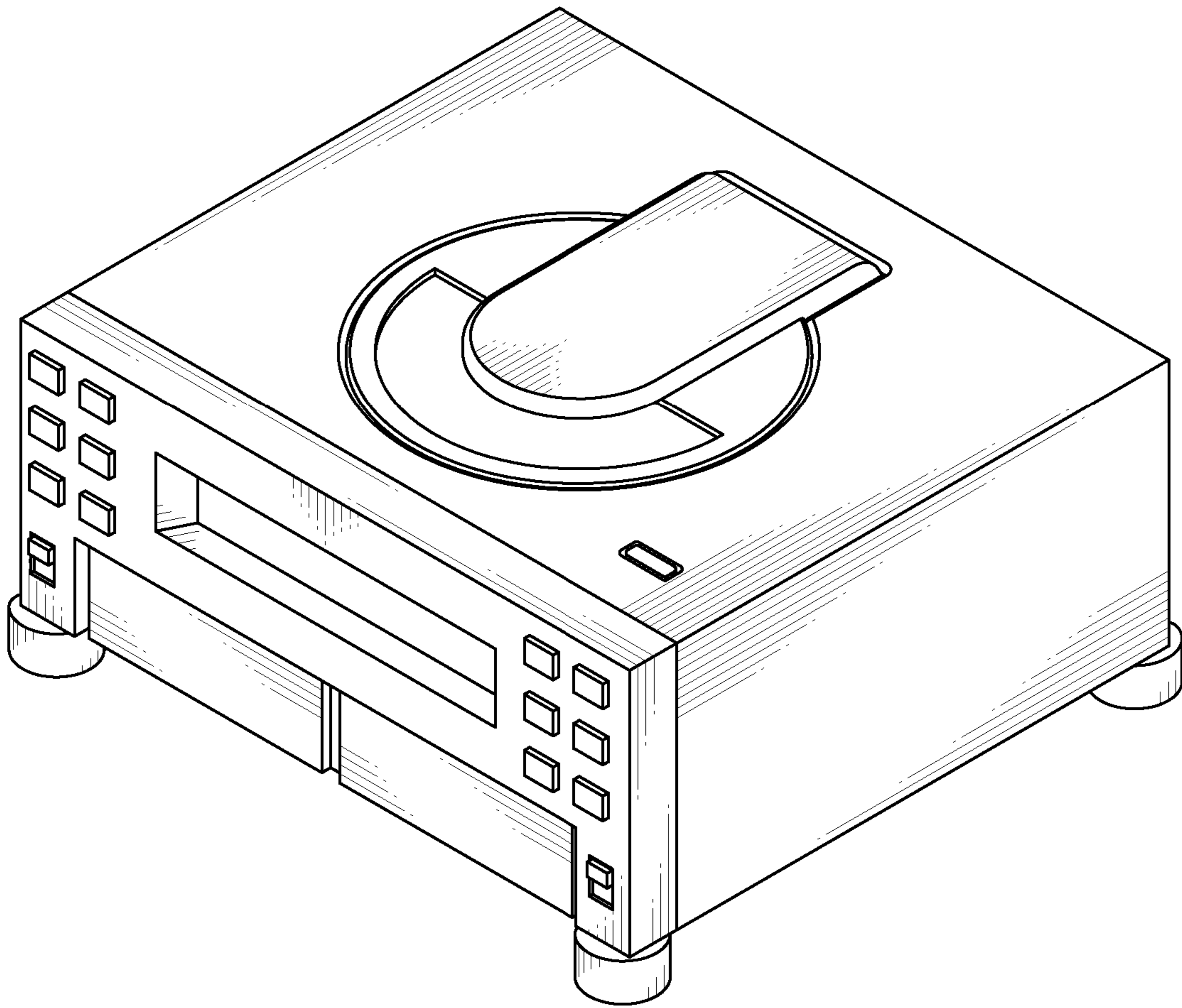


FIG. 1

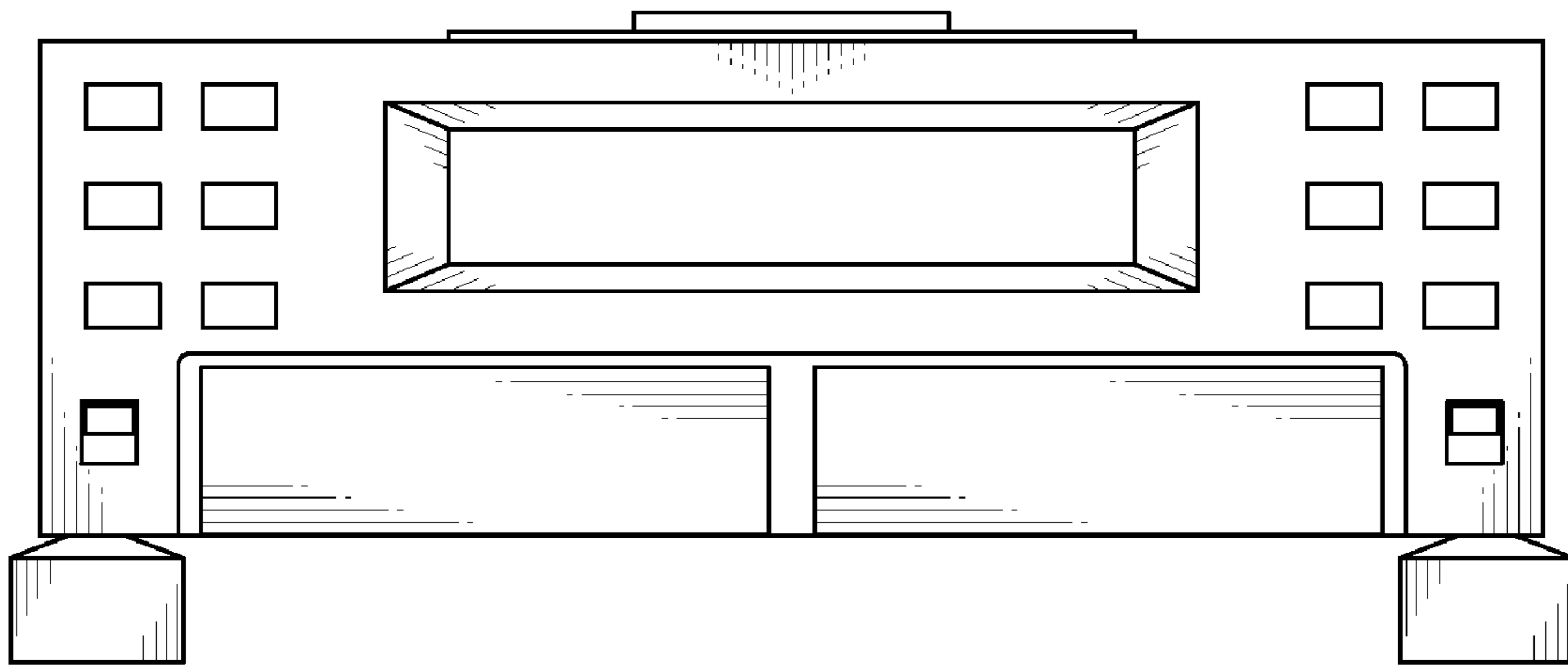


FIG. 2

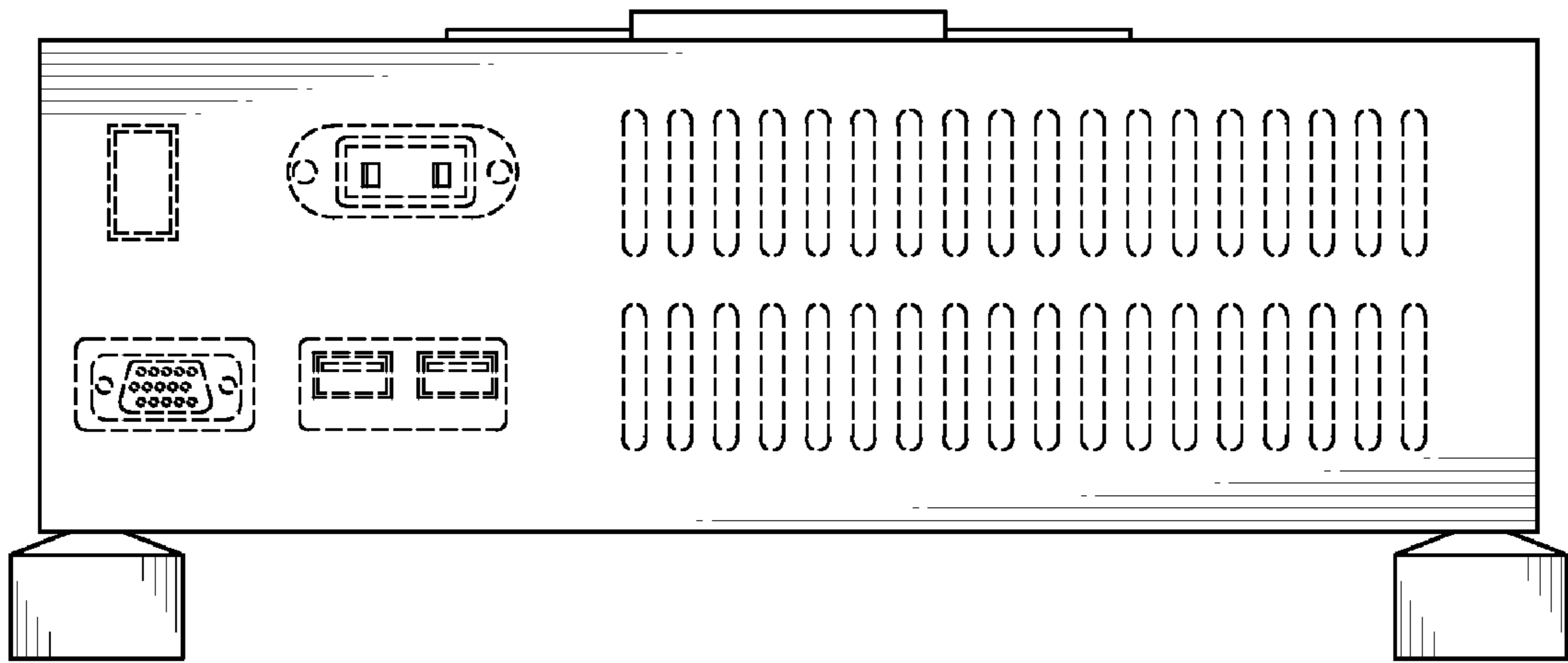


FIG. 3



FIG. 4

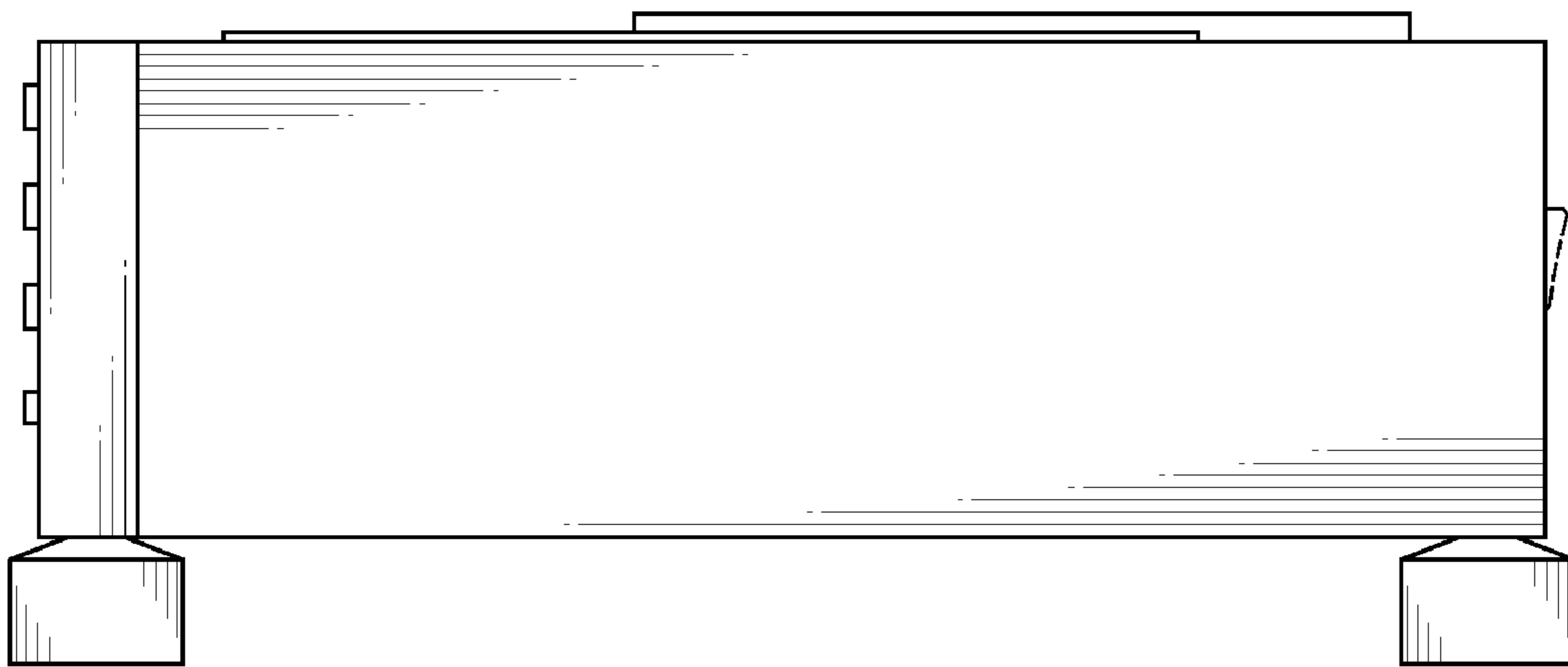


FIG. 5

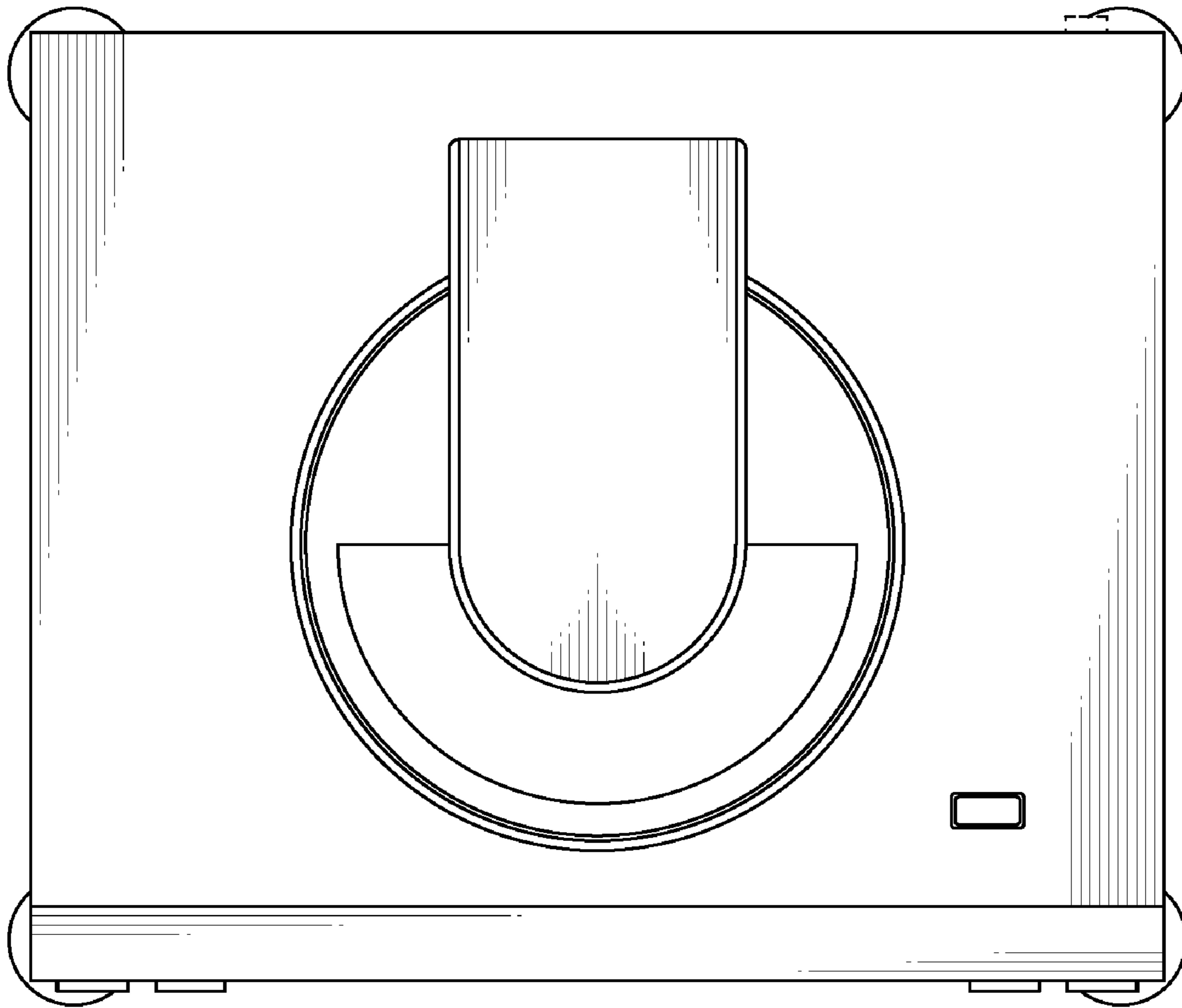


FIG. 6

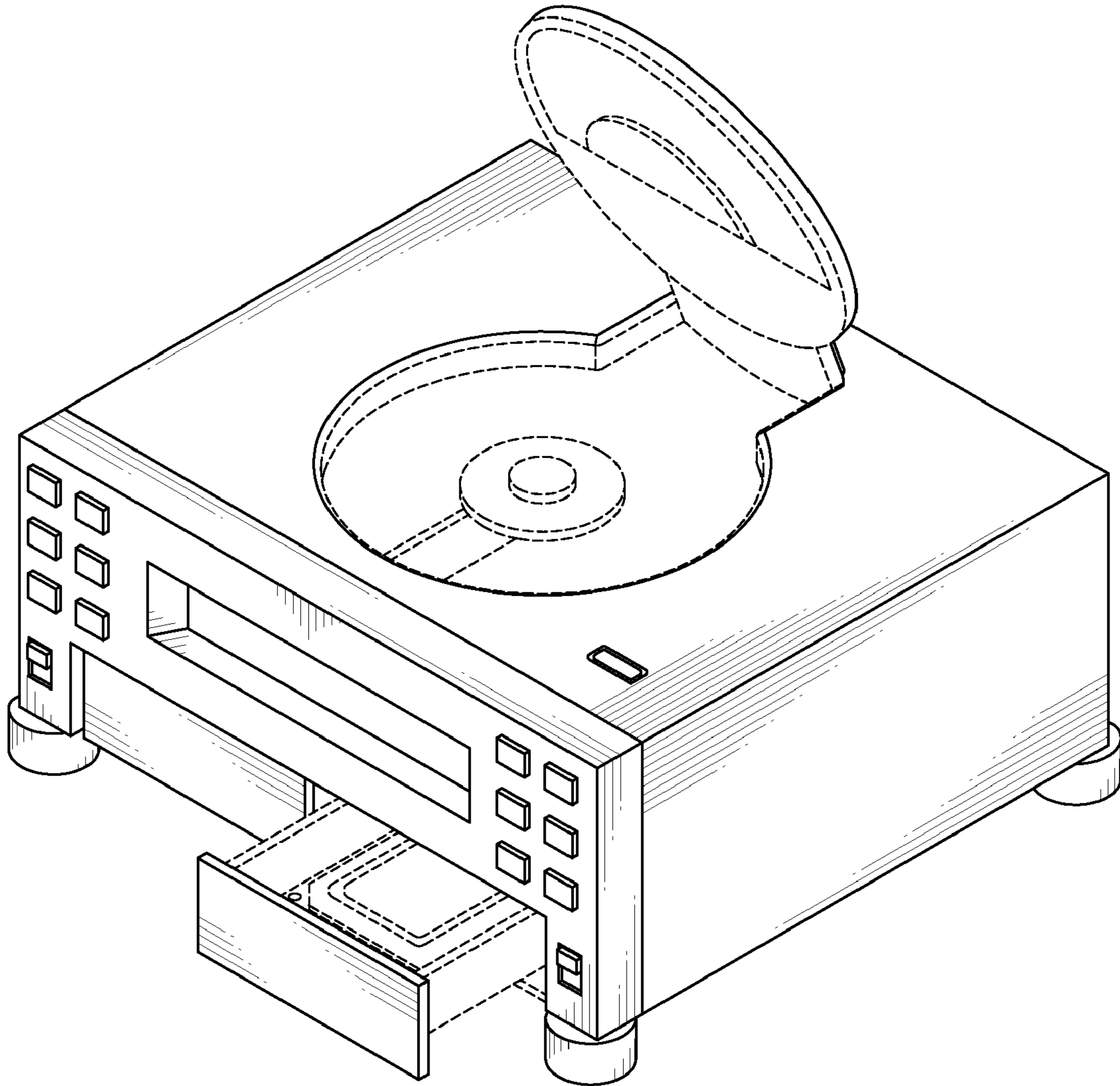


FIG. 7