

US00D573491S

(12) **United States Design Patent**  
**Tsai**

(10) **Patent No.:** **US D573,491 S**  
(45) **Date of Patent:** **\*\* Jul. 22, 2008**

(54) **RETRACTABLE PULL REEL**

D539,122 S \* 3/2007 Tsai ..... D8/358

(76) Inventor: **Hai Pin Tsai**, 9G, Block 1, Majestic Park, 11 Farm Road, To Kwa Wan, Kowloon (HK)

\* cited by examiner

*Primary Examiner*—Antoine D Davis  
(74) *Attorney, Agent, or Firm*—Intellectual Property Law Group LLP; Otto O. Lee; Juneko Jackson

(\*\*) Term: **14 Years**

(21) Appl. No.: **29/284,808**

(57) **CLAIM**

(22) Filed: **Sep. 14, 2007**

The ornamental design for a retractable pull reel, as shown and described.

(51) **LOC (8) Cl.** ..... **10-04**

**DESCRIPTION**

(52) **U.S. Cl.** ..... **D10/72**

(58) **Field of Classification Search** ..... D10/72;  
33/755-771; 242/381.1, 381.2, 381.3, 381.4,  
242/381.5, 381.6, 405.3, 405, 395, 388, 385.1;  
D8/358

FIG. 1 is a perspective view of a retractable pull reel embodying my new design;

FIG. 2 is a front elevational view thereof;

FIG. 3 is a rear elevational view thereof;

FIG. 4 is a right side elevational view thereof;

FIG. 5 is a left side elevational view thereof;

FIG. 6 is a top plan view thereof; and,

FIG. 7 is a bottom plan view thereof.

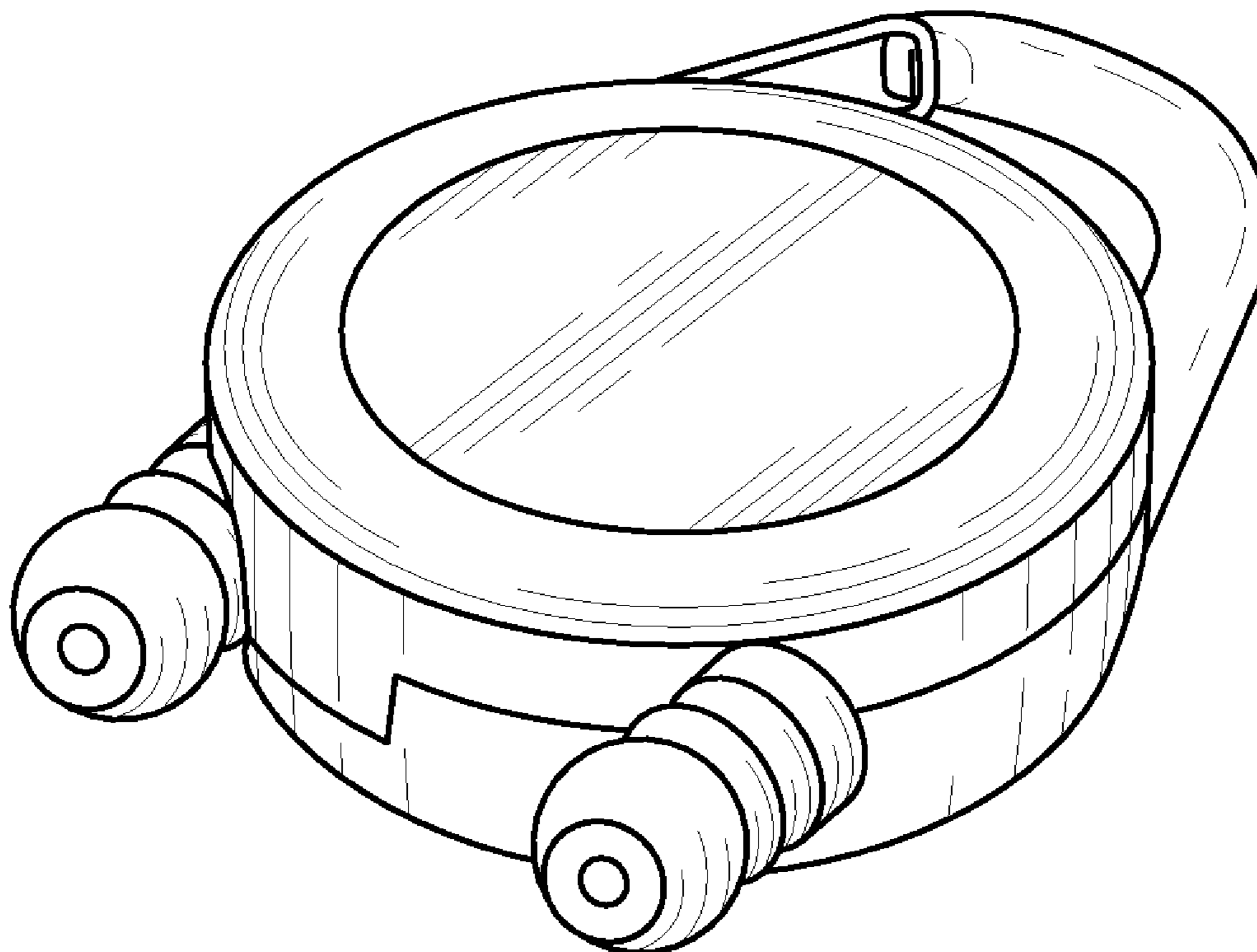
See application file for complete search history.

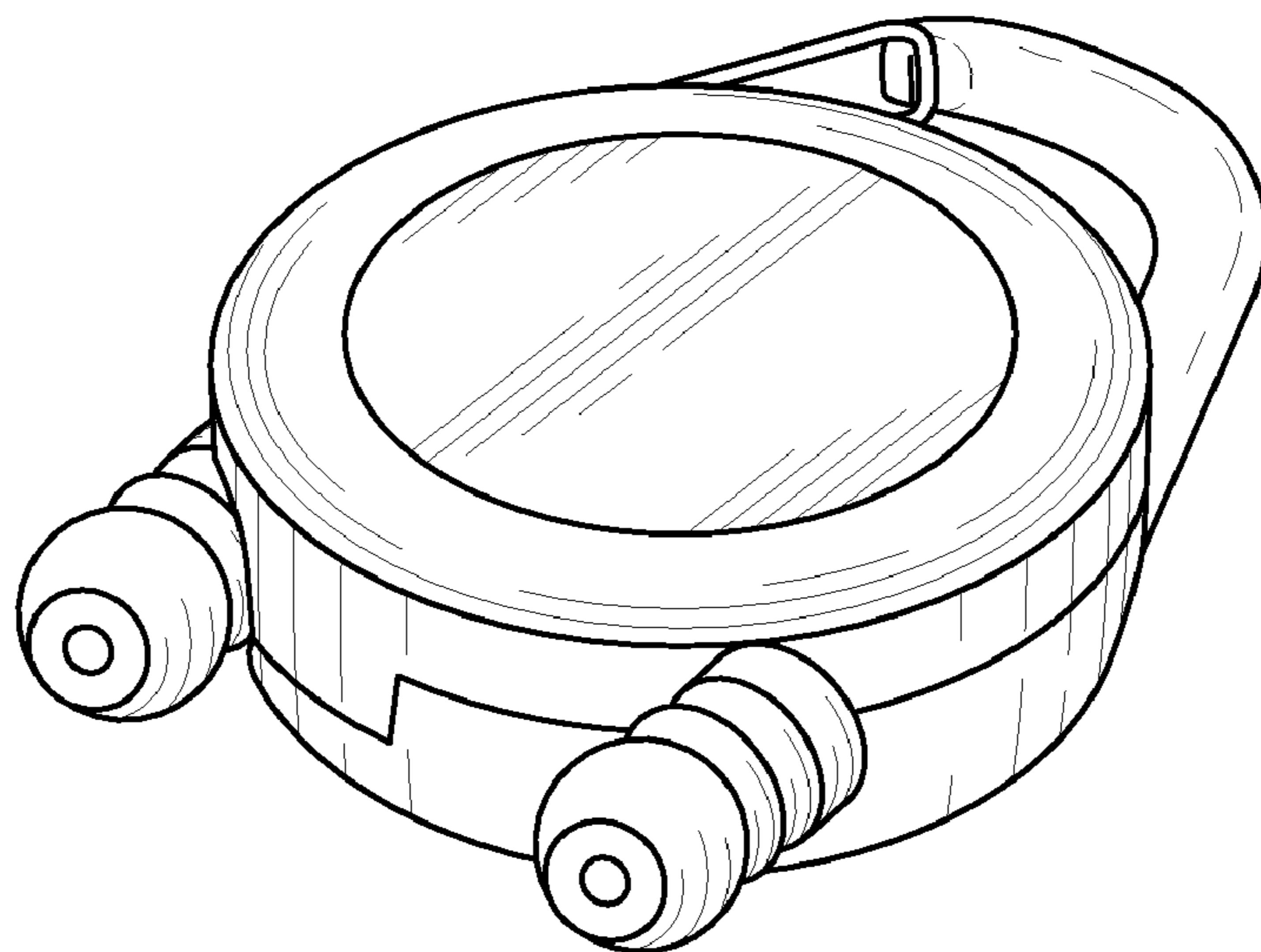
(56) **References Cited**

**U.S. PATENT DOCUMENTS**

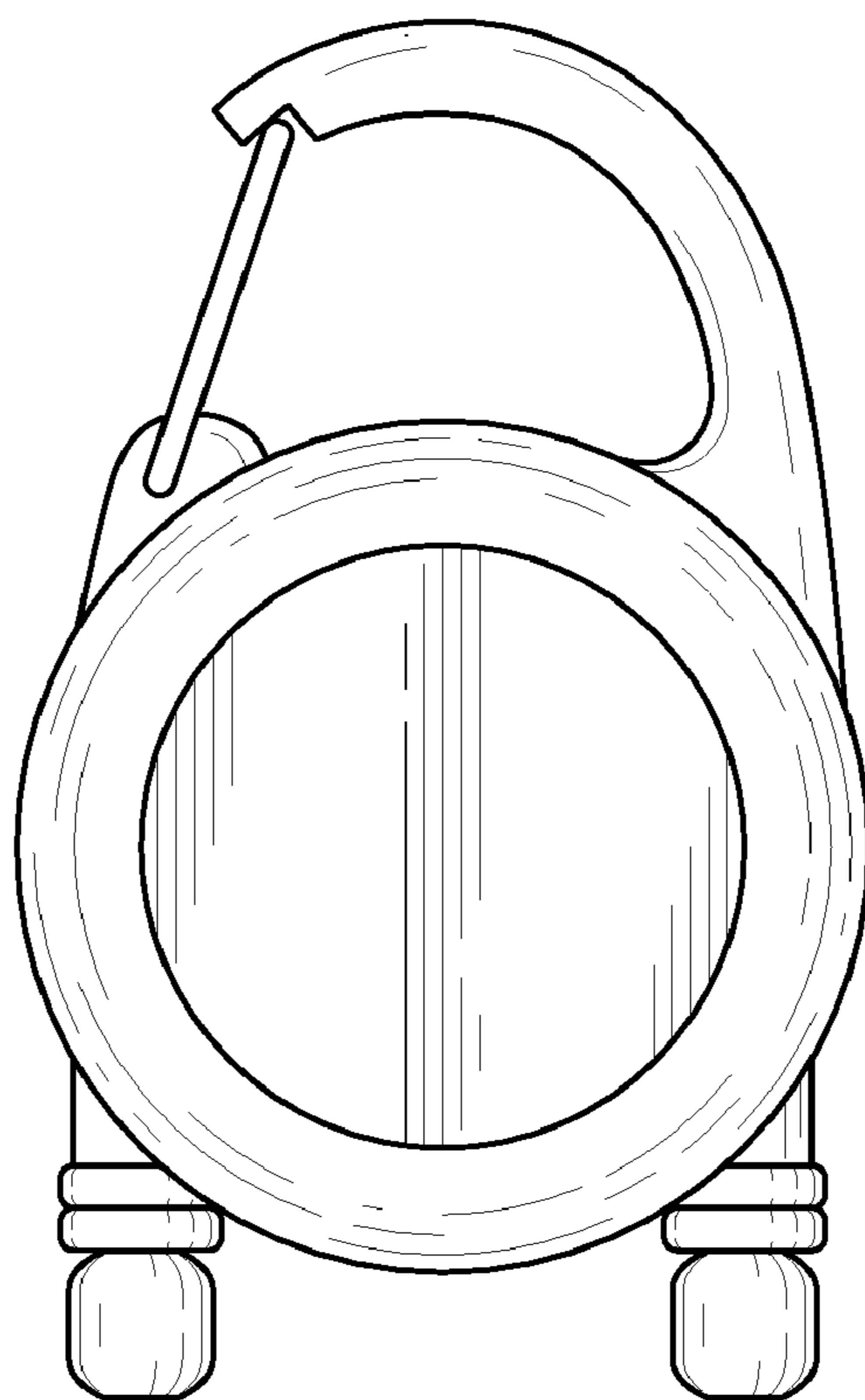
D506,939 S \* 7/2005 King ..... D10/72  
7,036,459 B1 \* 5/2006 Mugford et al. .... 242/405  
7,103,988 B2 \* 9/2006 Sanoner ..... 33/763

**1 Claim, 3 Drawing Sheets**

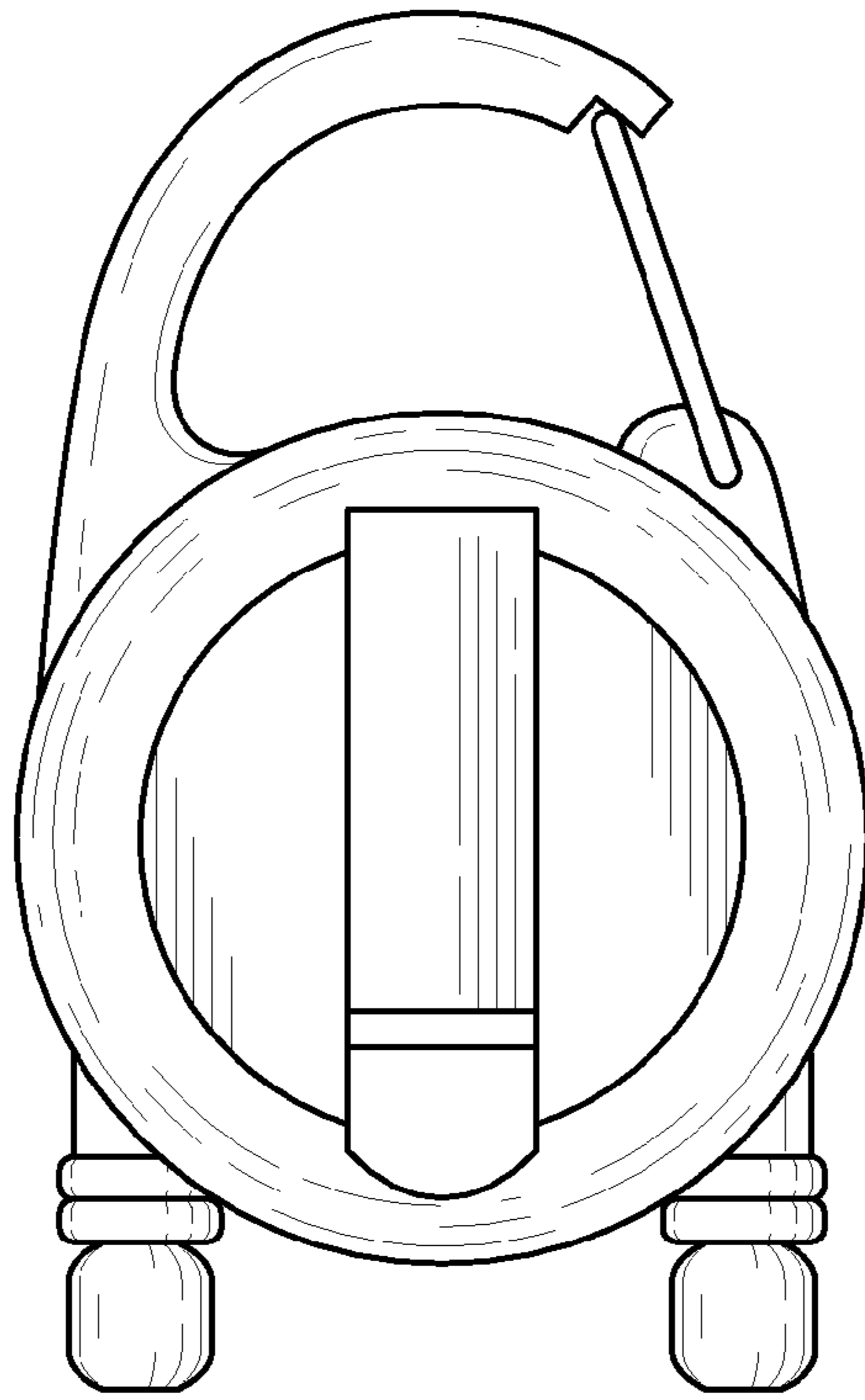




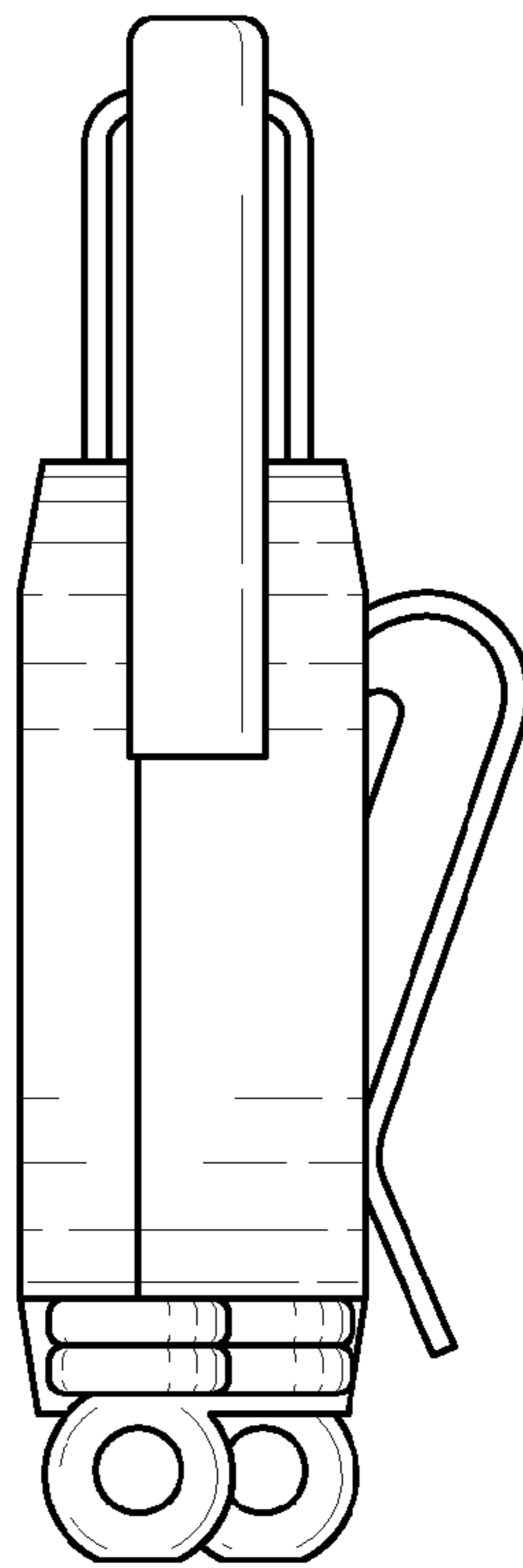
**FIG. 1**



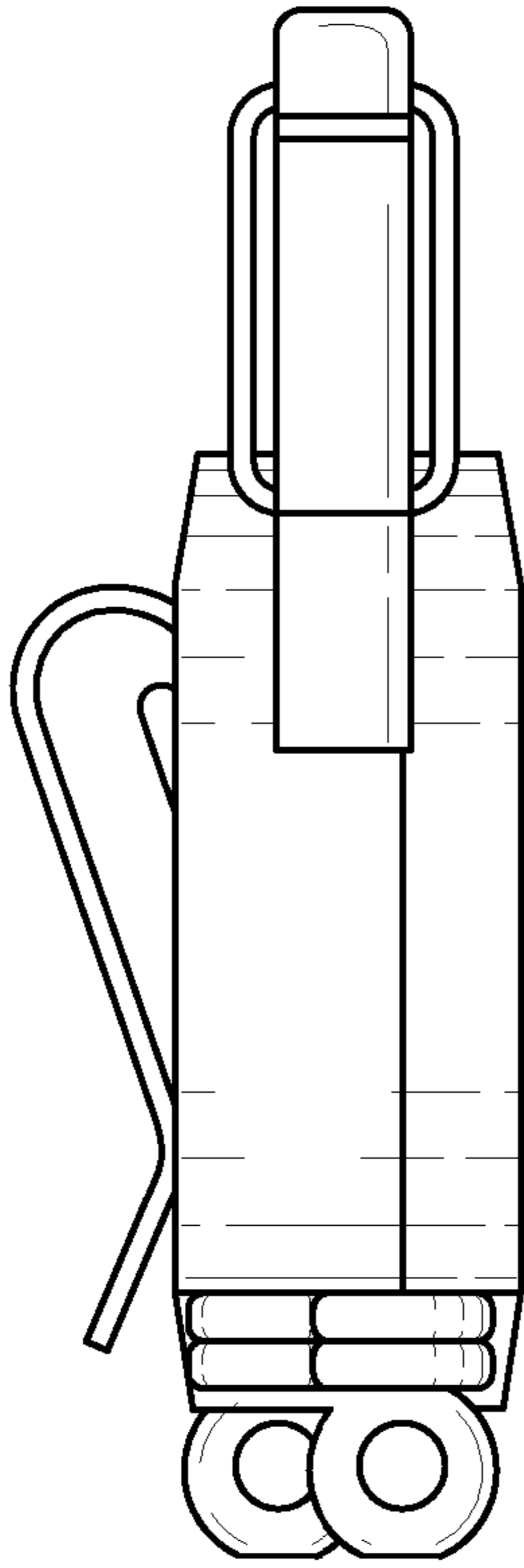
**FIG. 2**



**FIG. 3**



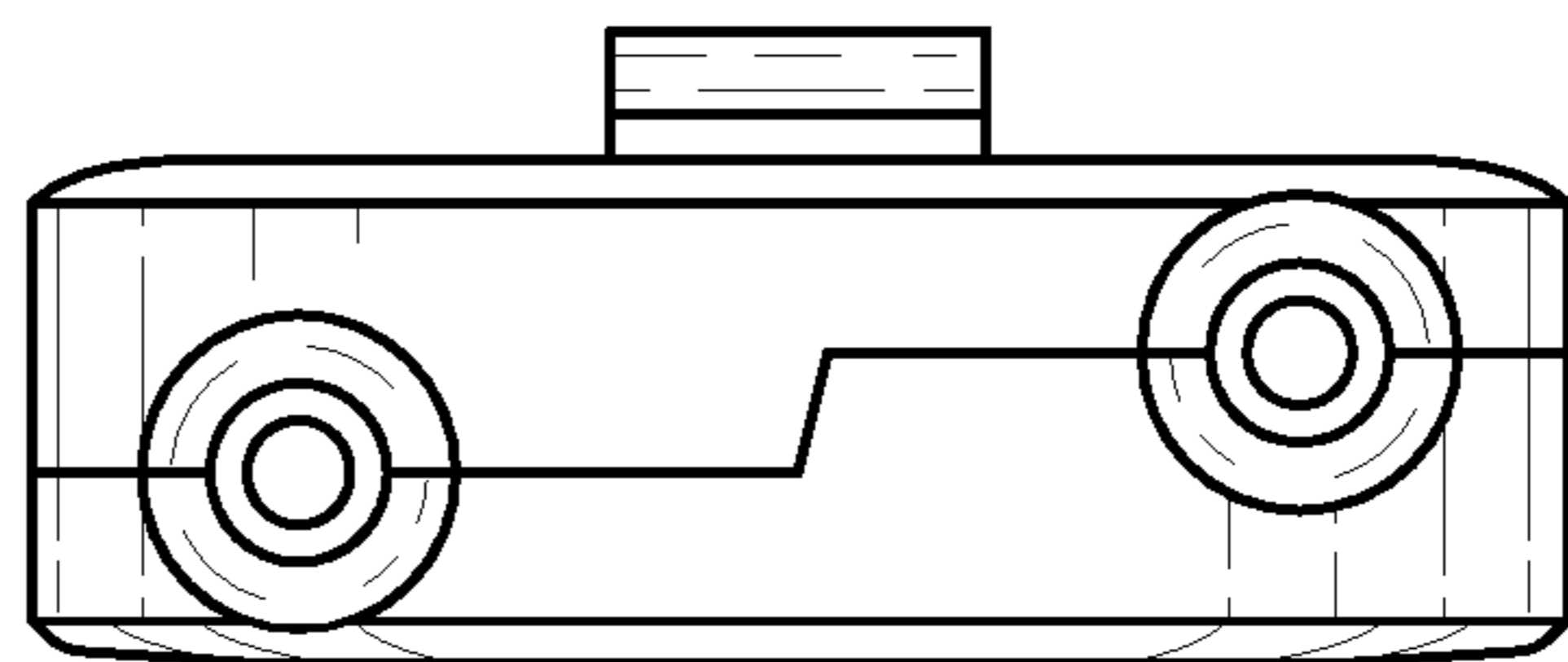
**FIG. 4**



**FIG. 5**



**FIG. 6**



**FIG. 7**