



US00D573490S

(12) **United States Design Patent**
Au Yeung

(10) **Patent No.:** **US D573,490 S**
(45) **Date of Patent:** **** Jul. 22, 2008**

(54) **PEDOMETER**

D545,700 S * 7/2007 Man D10/70
D555,019 S * 11/2007 Au Yeung D10/70

(75) Inventor: **Kwok Keung Au Yeung**, New Territories (HK)

* cited by examiner

(73) Assignee: **Ariel Premium Supply, Inc.**, St. Louis, MO (US)

Primary Examiner—Antoine D Davis
(74) *Attorney, Agent, or Firm*—Intellectual Property Law Group LLP; Otto O. Lee; Juneko Jackson

(**) Term: **14 Years**

(57) **CLAIM**

(21) Appl. No.: **29/284,723**

The ornamental design for a pedometer, as shown and described.

(22) Filed: **Sep. 13, 2007**

(51) **LOC (8) Cl.** **10-04**

(52) **U.S. Cl.** **D10/70**

(58) **Field of Classification Search** D10/70;
235/95 C, 105; 377/5, 24.2, 26; 702/155,
702/160, 176

See application file for complete search history.

DESCRIPTION

FIG. 1 is a perspective view of a pedometer embodying my new design;

FIG. 2 is a front elevational view thereof;

FIG. 3 is a rear elevational view thereof;

FIG. 4 is a left side elevational view thereof, the right side elevational view being a mirror image thereof;

FIG. 5 is a top plan view thereof; and,

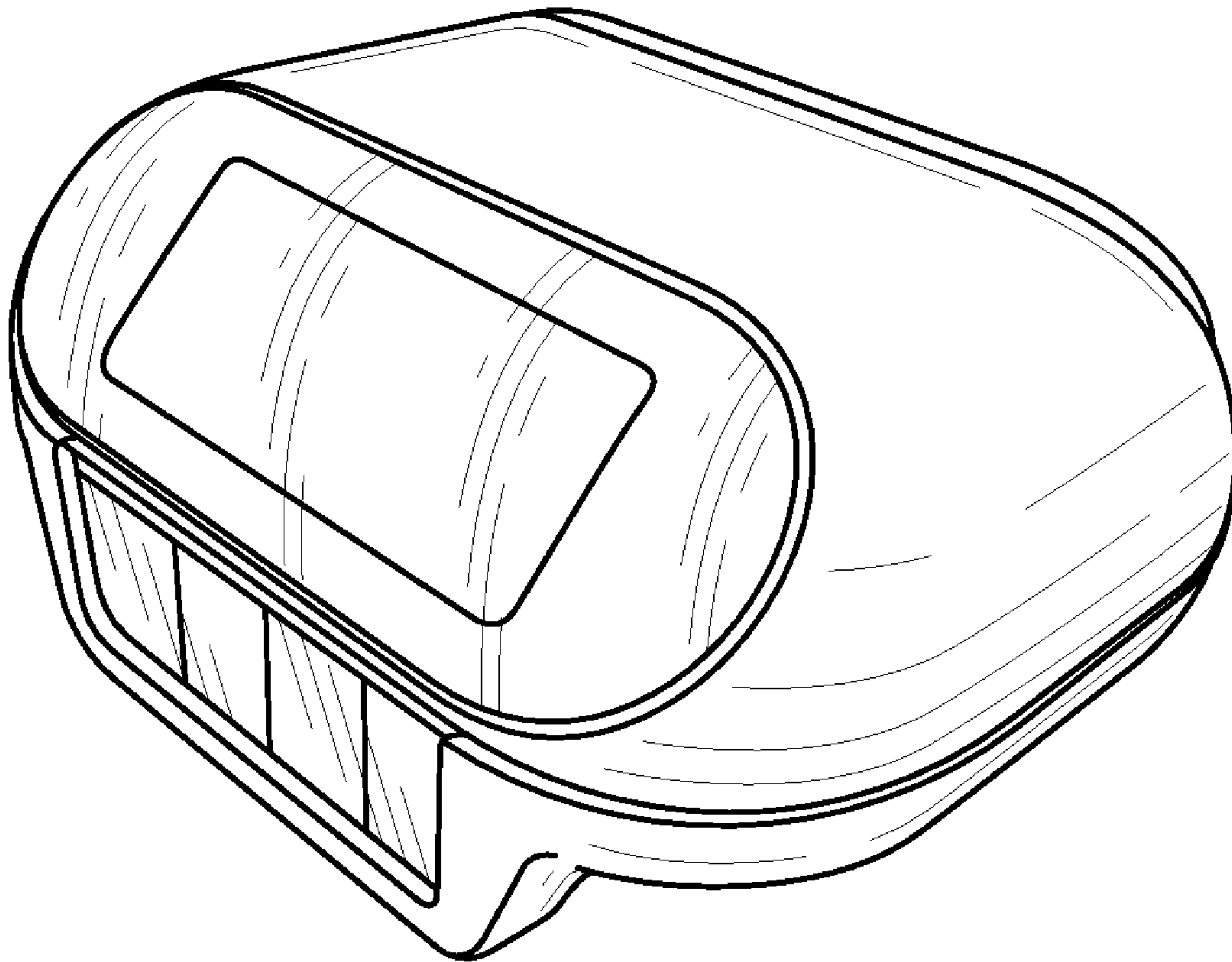
FIG. 6 is a bottom plan view thereof.

(56) **References Cited**

U.S. PATENT DOCUMENTS

D525,889 S * 8/2006 Oas D10/70
D543,877 S * 6/2007 Bhavnani D10/70

1 Claim, 2 Drawing Sheets



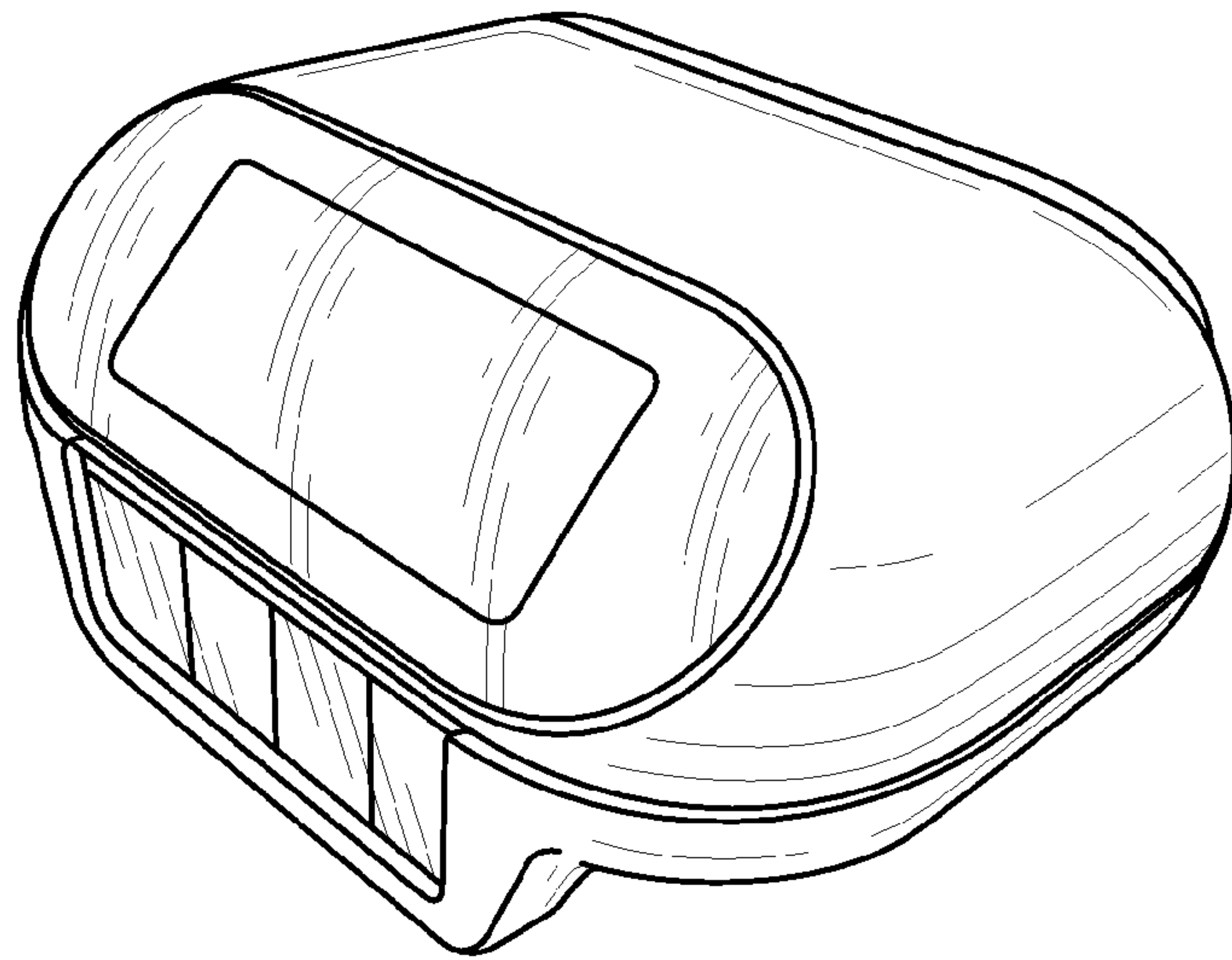


FIG. 1

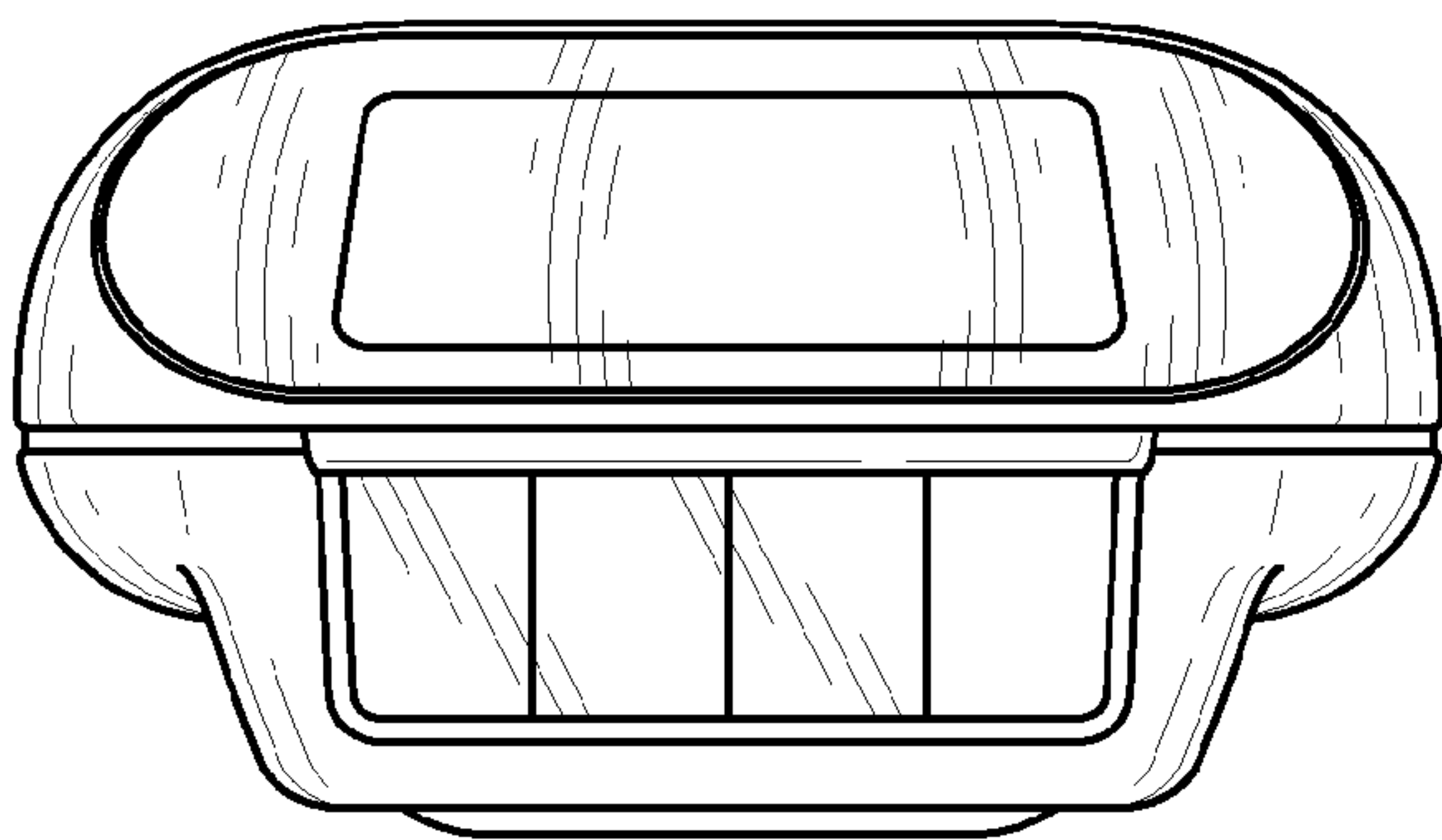


FIG. 2

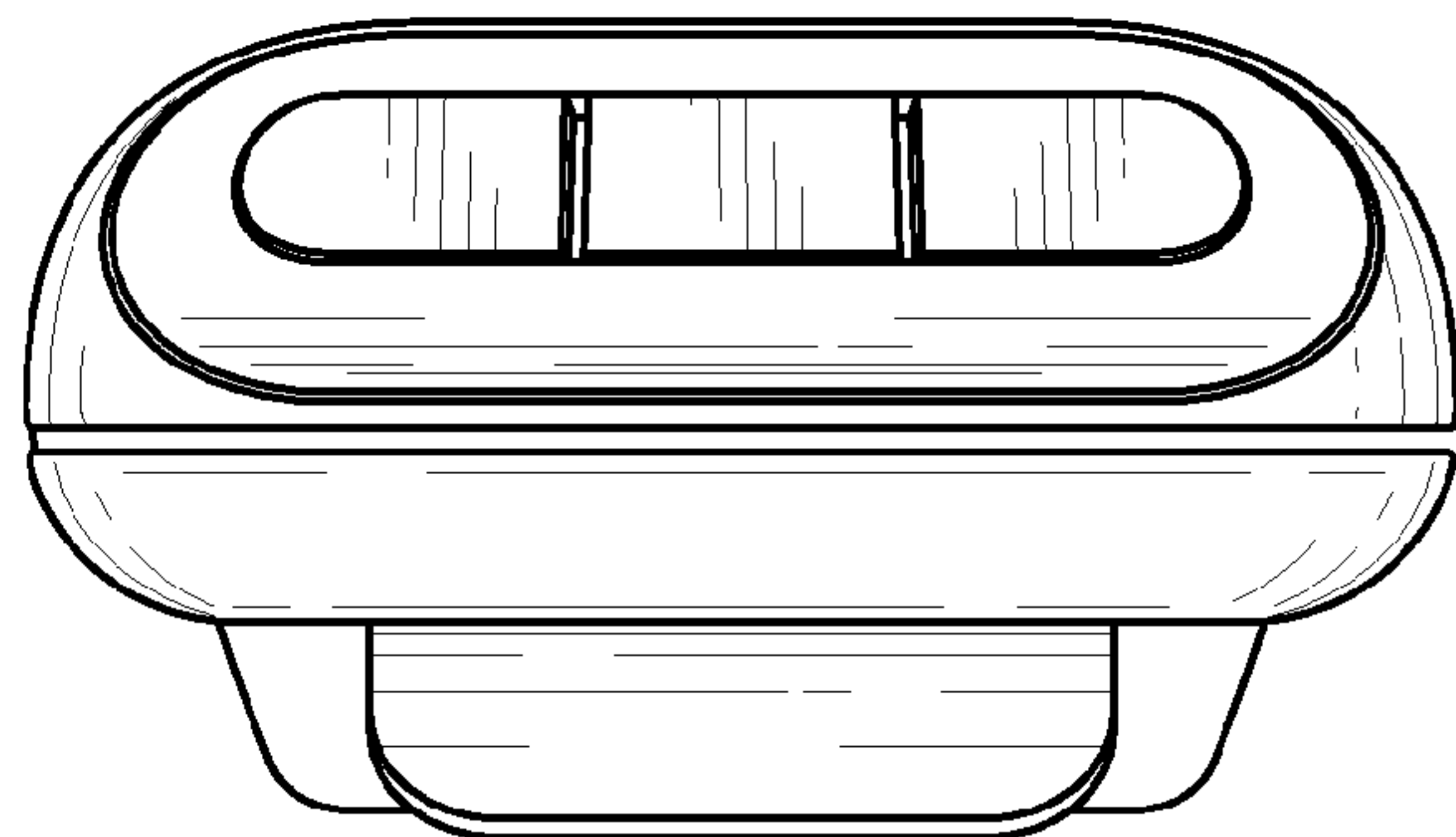


FIG. 3

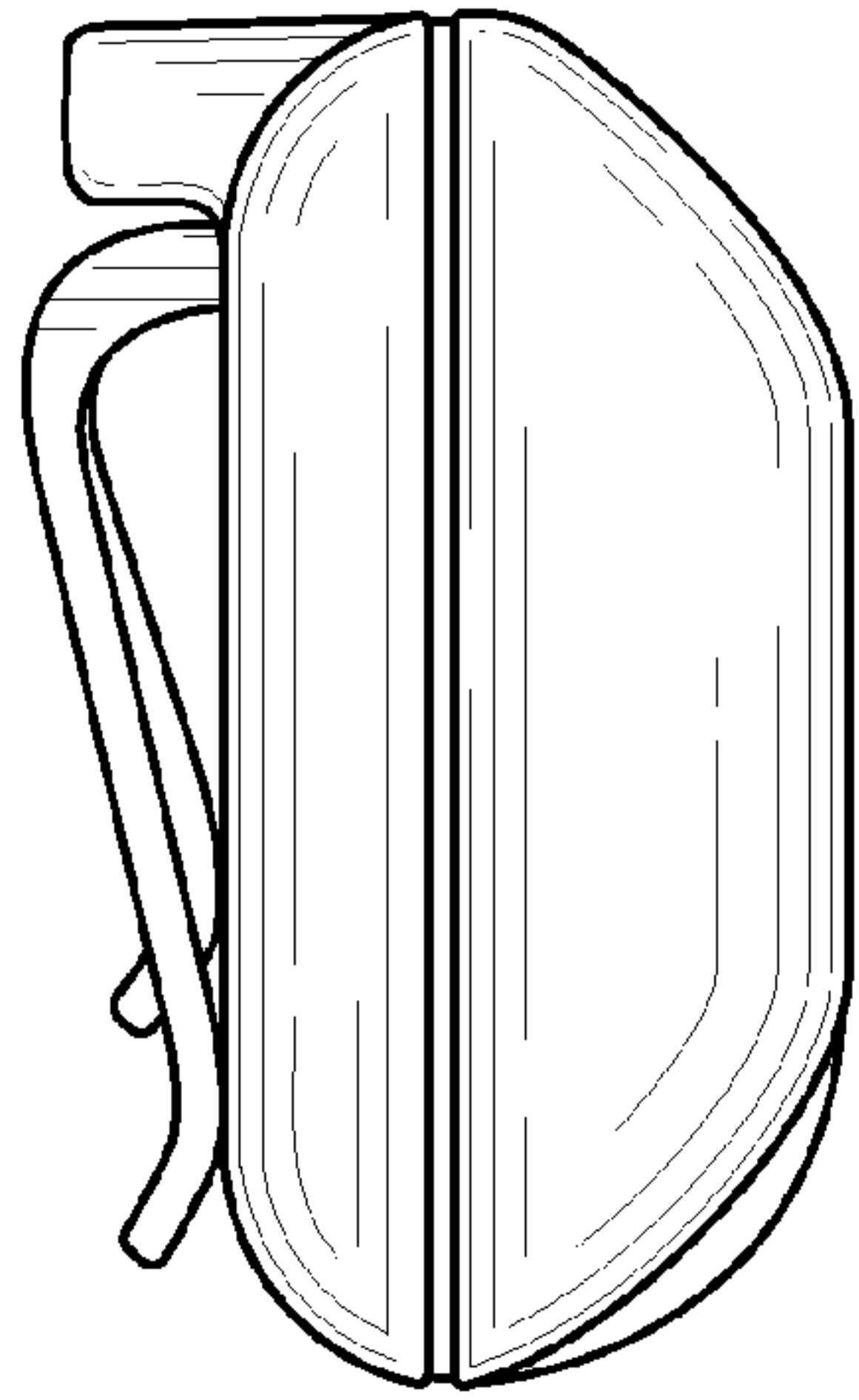


FIG. 4

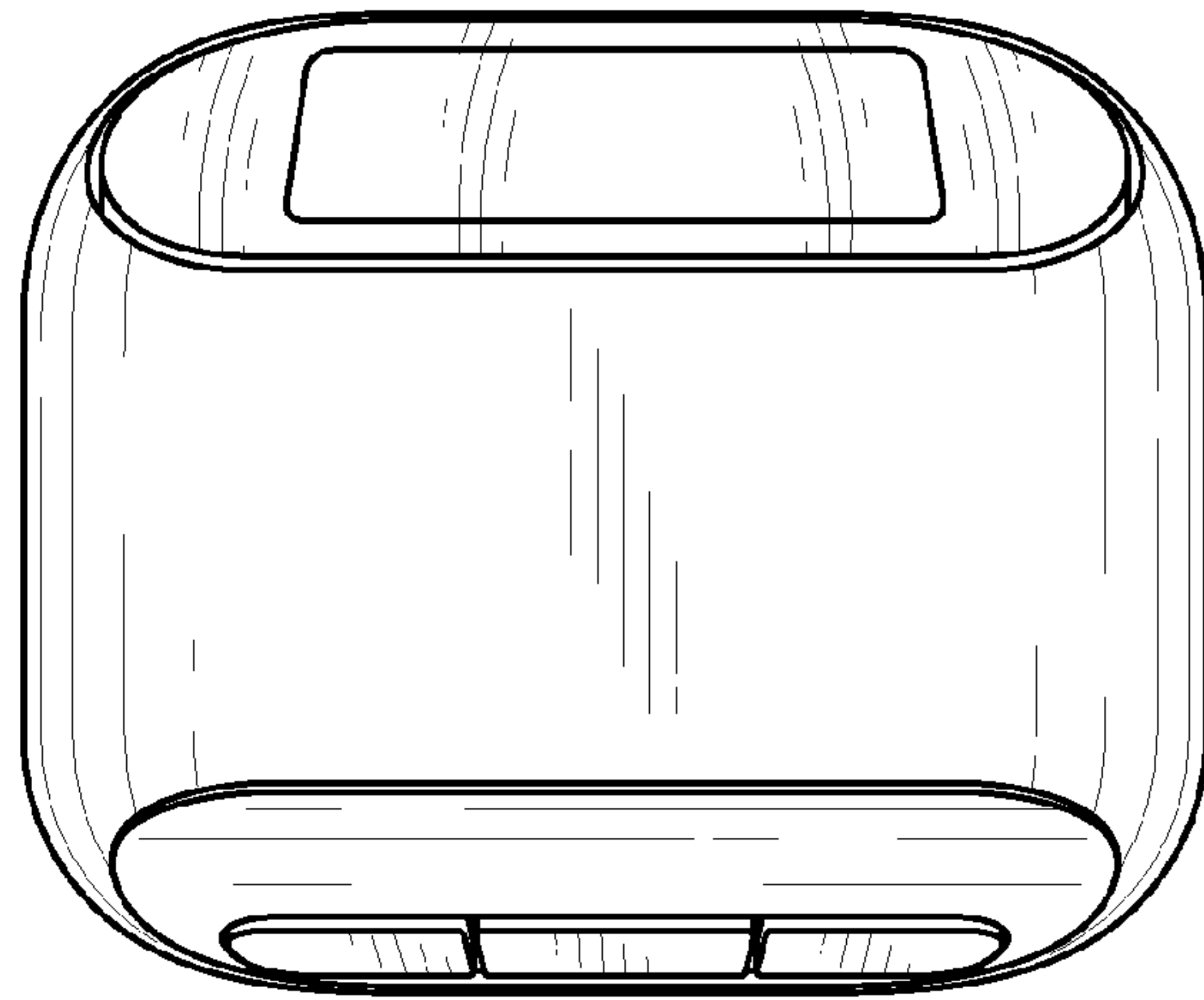


FIG. 5

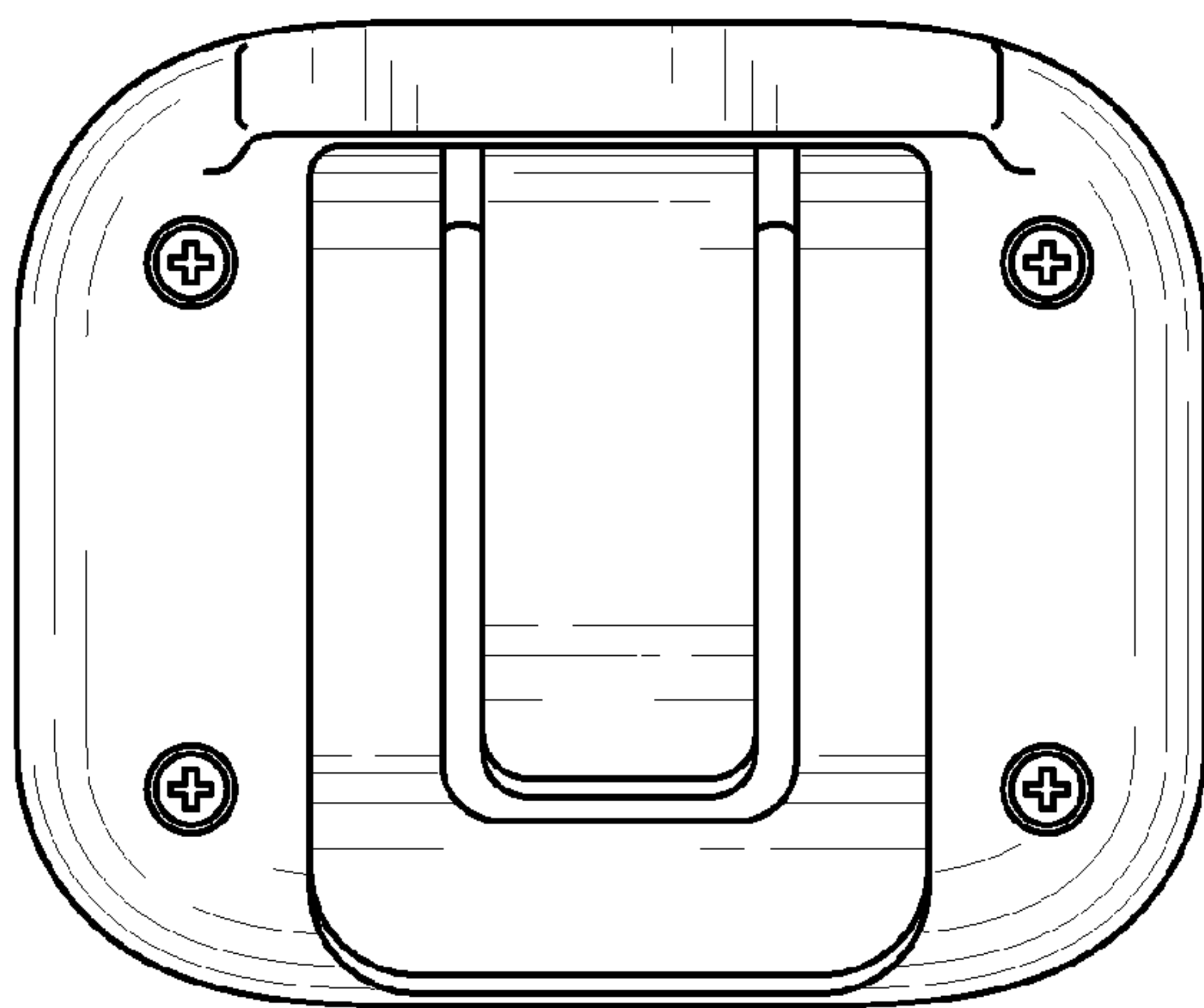


FIG. 6