



US00D573489S

(12) **United States Design Patent**
Sauvage

(10) **Patent No.:** **US D573,489 S**

(45) **Date of Patent:** **** Jul. 22, 2008**

(54) **MINI LASER LEVEL**

(75) **Inventor:** **Sebastien Gwenael Sauvage**, Tseung Kwan O (HK)

(73) **Assignee:** **Oneworld Global Manufacturing Solutions Limited**, Kowloon Bay (HK)

(**) **Term:** **14 Years**

(21) **Appl. No.:** **29/287,854**

(22) **Filed:** **Sep. 27, 2007**

(30) **Foreign Application Priority Data**

Jul. 5, 2007 (HK) 0701754.6

(51) **LOC (8) Cl.** **10-04**

(52) **U.S. Cl.** **D10/69**

(58) **Field of Classification Search** D10/69;
33/365, 366.11-366.27, 367-391

See application file for complete search history.

(56) **References Cited**

U.S. PATENT DOCUMENTS

D518,747 S * 4/2006 Lopano D10/69

* cited by examiner

Primary Examiner—Antoine D Davis

(74) *Attorney, Agent, or Firm*—Buchanan Ingersoll & Rooney PC

(57) **CLAIM**

The ornamental design for a mini laser level, as shown and described.

DESCRIPTION

FIG. 1 is a front, top, right side perspective view of a mini laser level showing my new design;

FIG. 2 is a rear, top perspective view thereof;

FIG. 3 is a front bottom right side perspective view thereof;

FIG. 4 is a front view thereof;

FIG. 5 is a rear view thereof;

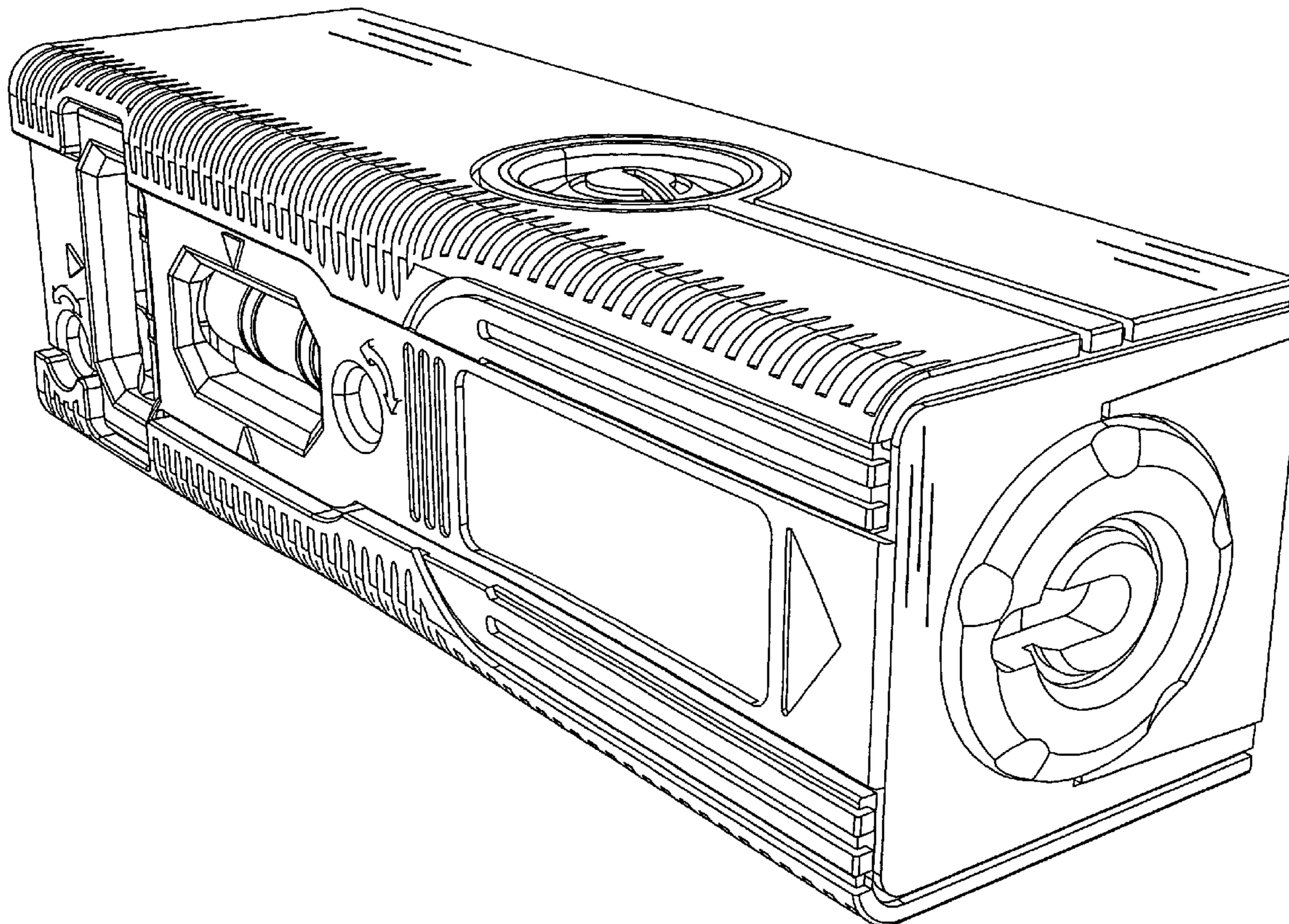
FIG. 6 is a top plan view thereof;

FIG. 7 is a bottom plan view thereof;

FIG. 8 is a right side view thereof; and,

FIG. 9 is a left side view thereof.

1 Claim, 9 Drawing Sheets



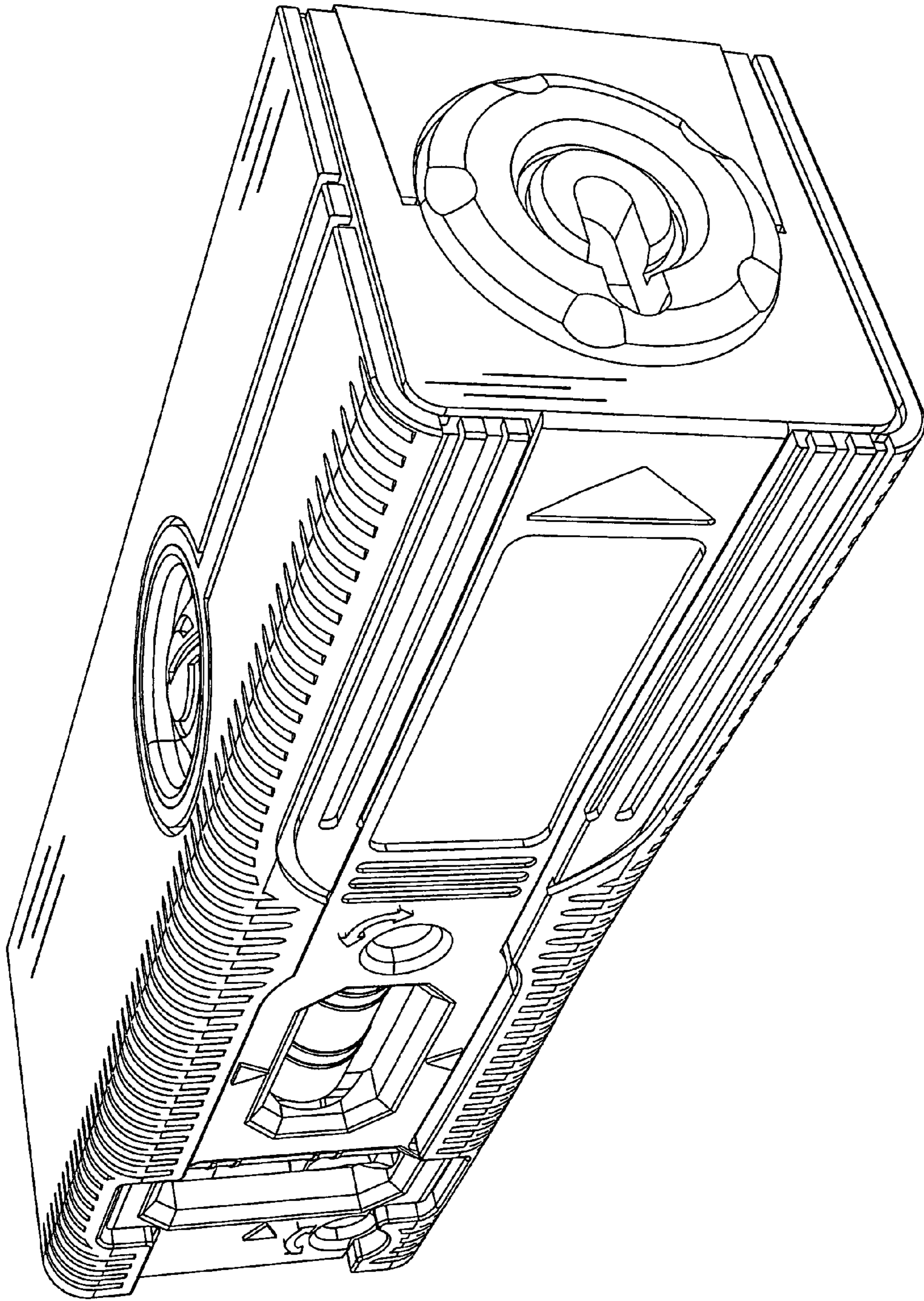


FIG. 1

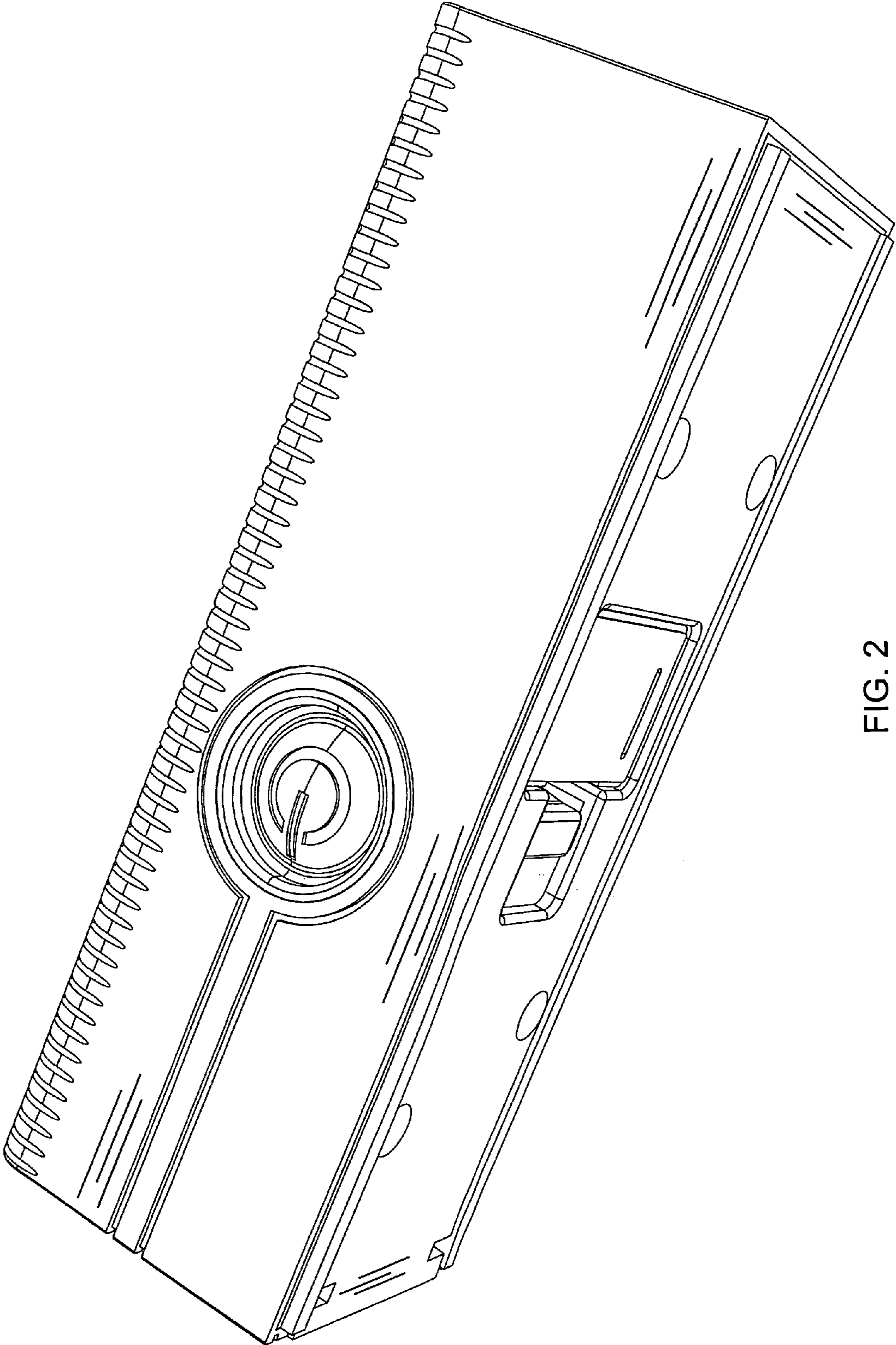


FIG. 2

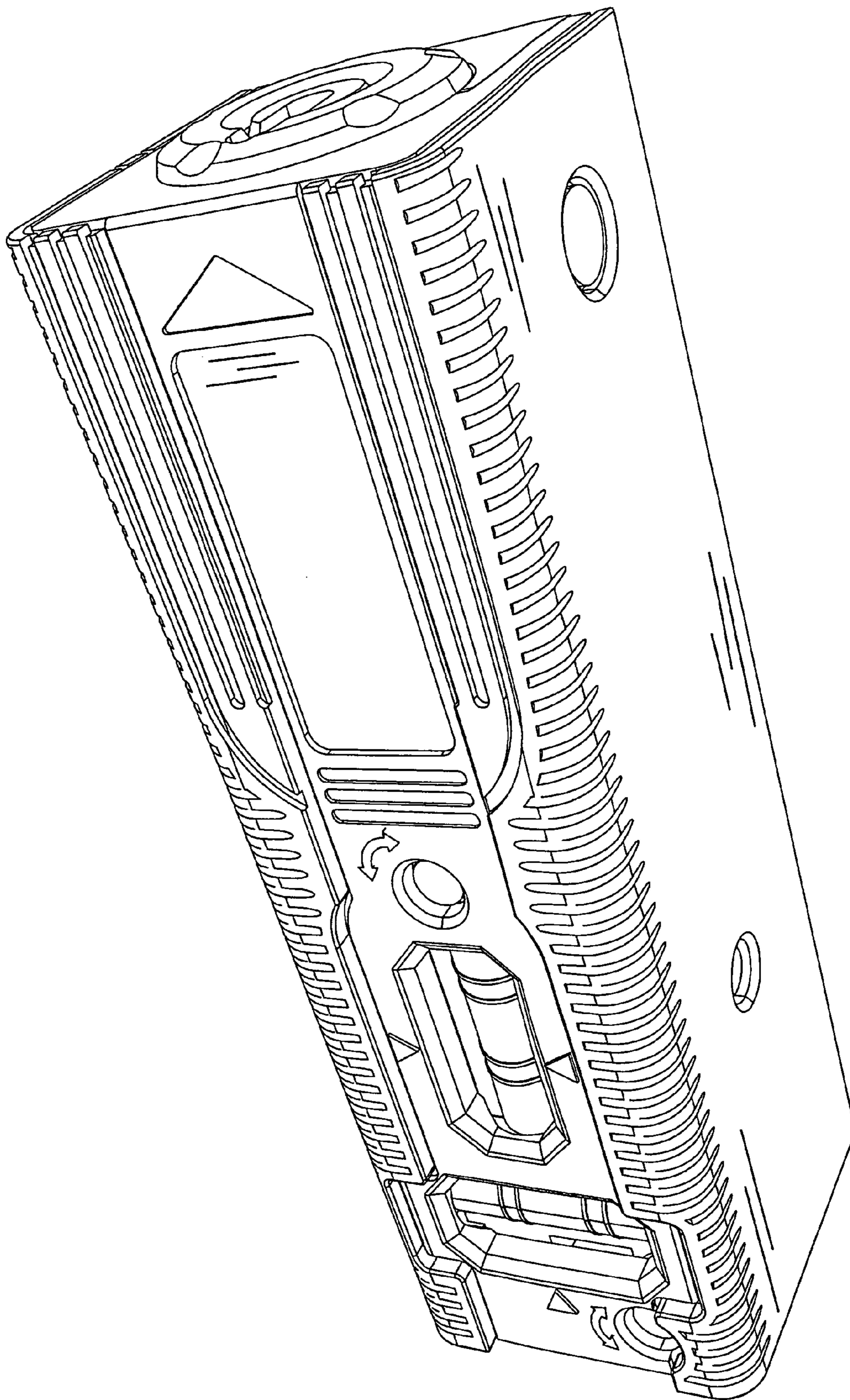


FIG. 3

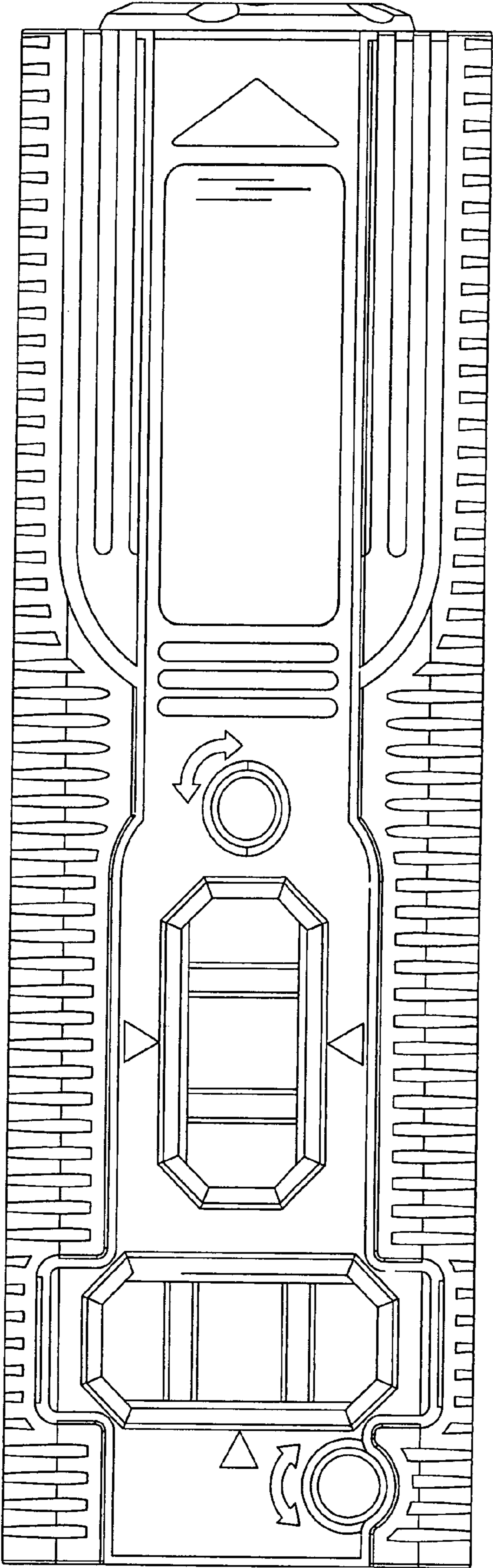


FIG. 4

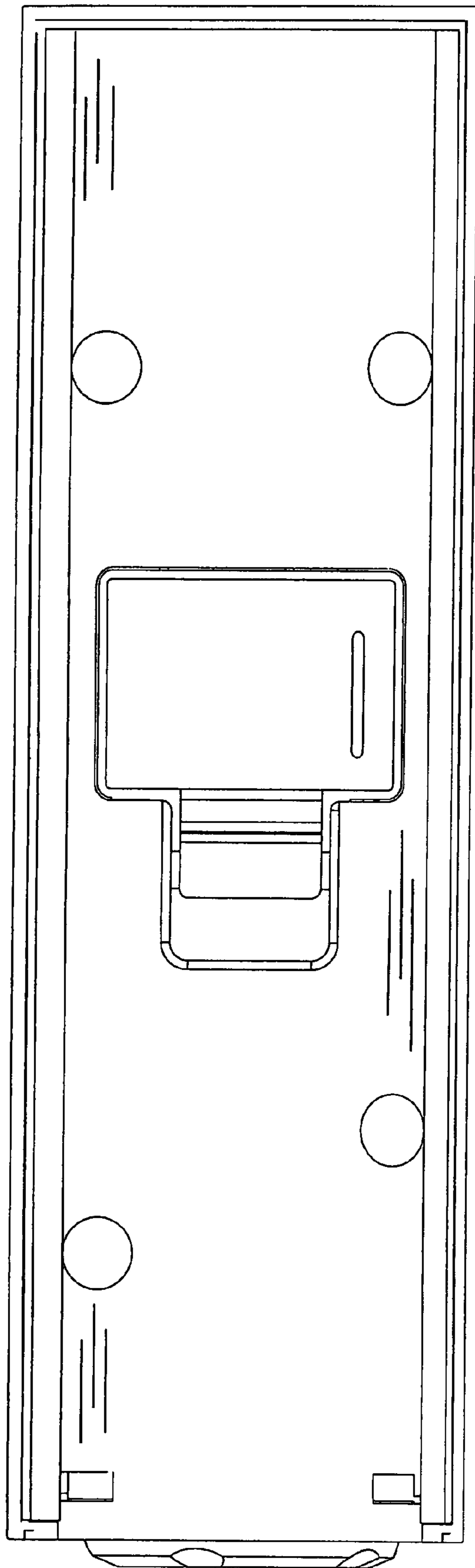


FIG.5

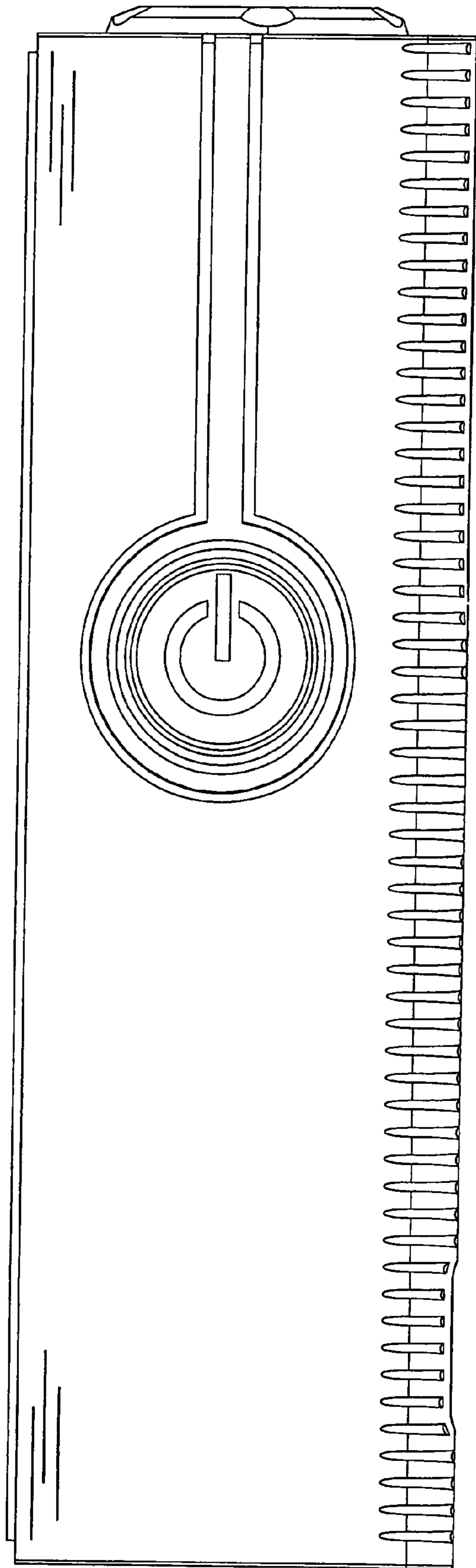


FIG. 6

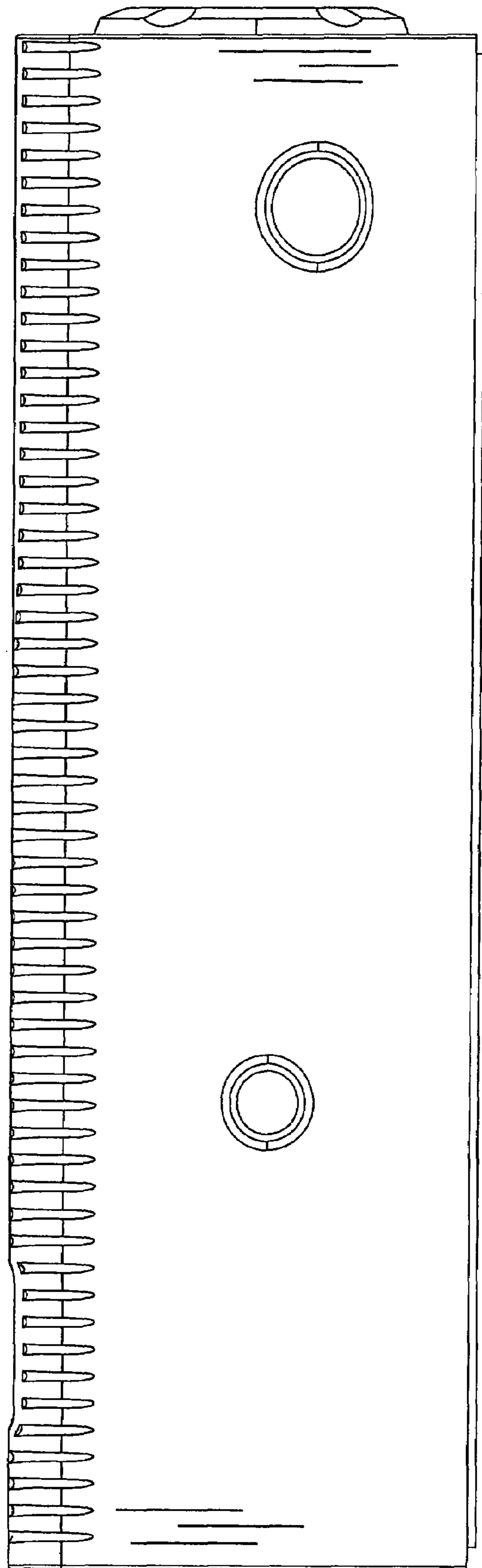


FIG. 7

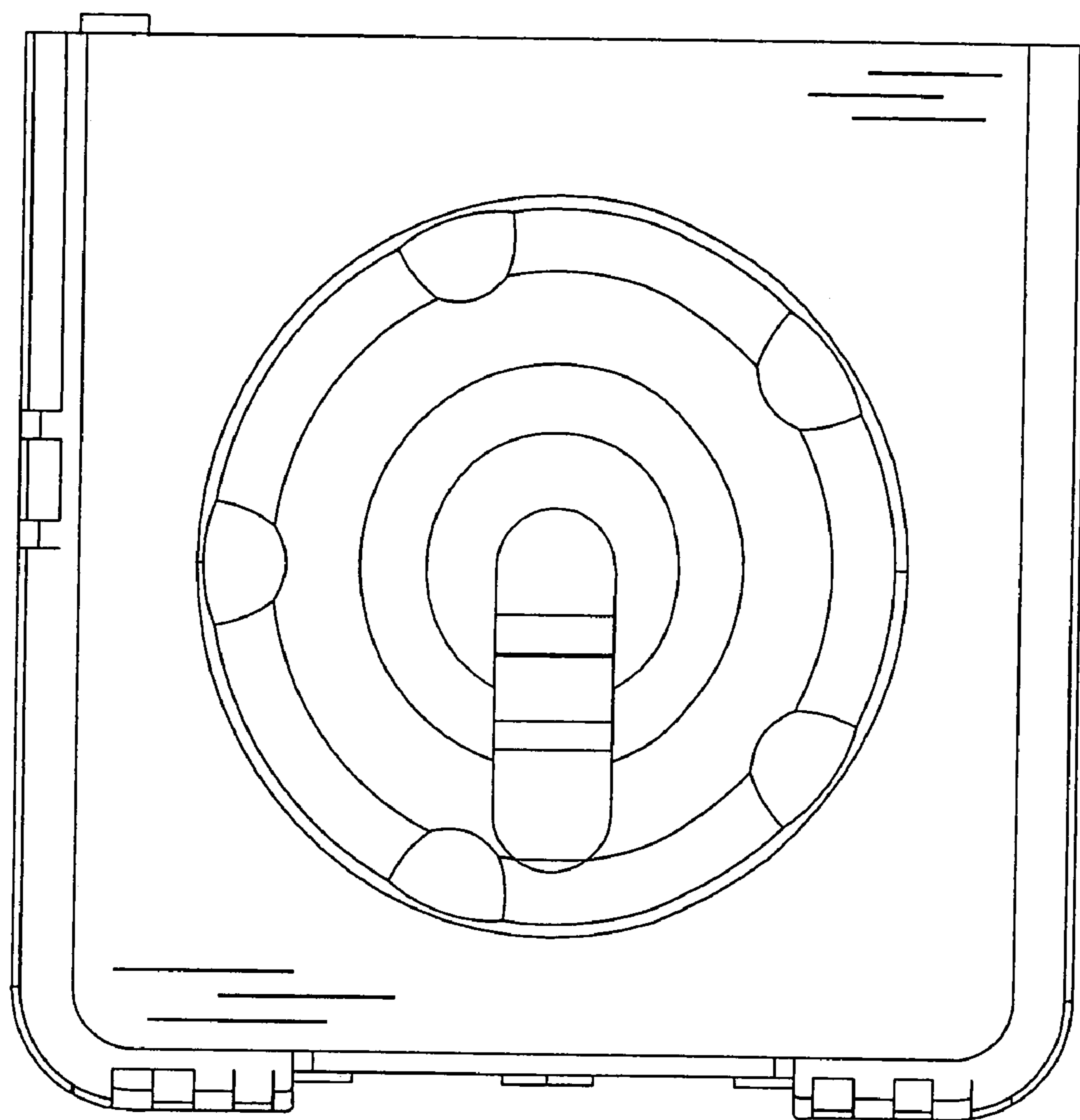


FIG. 8

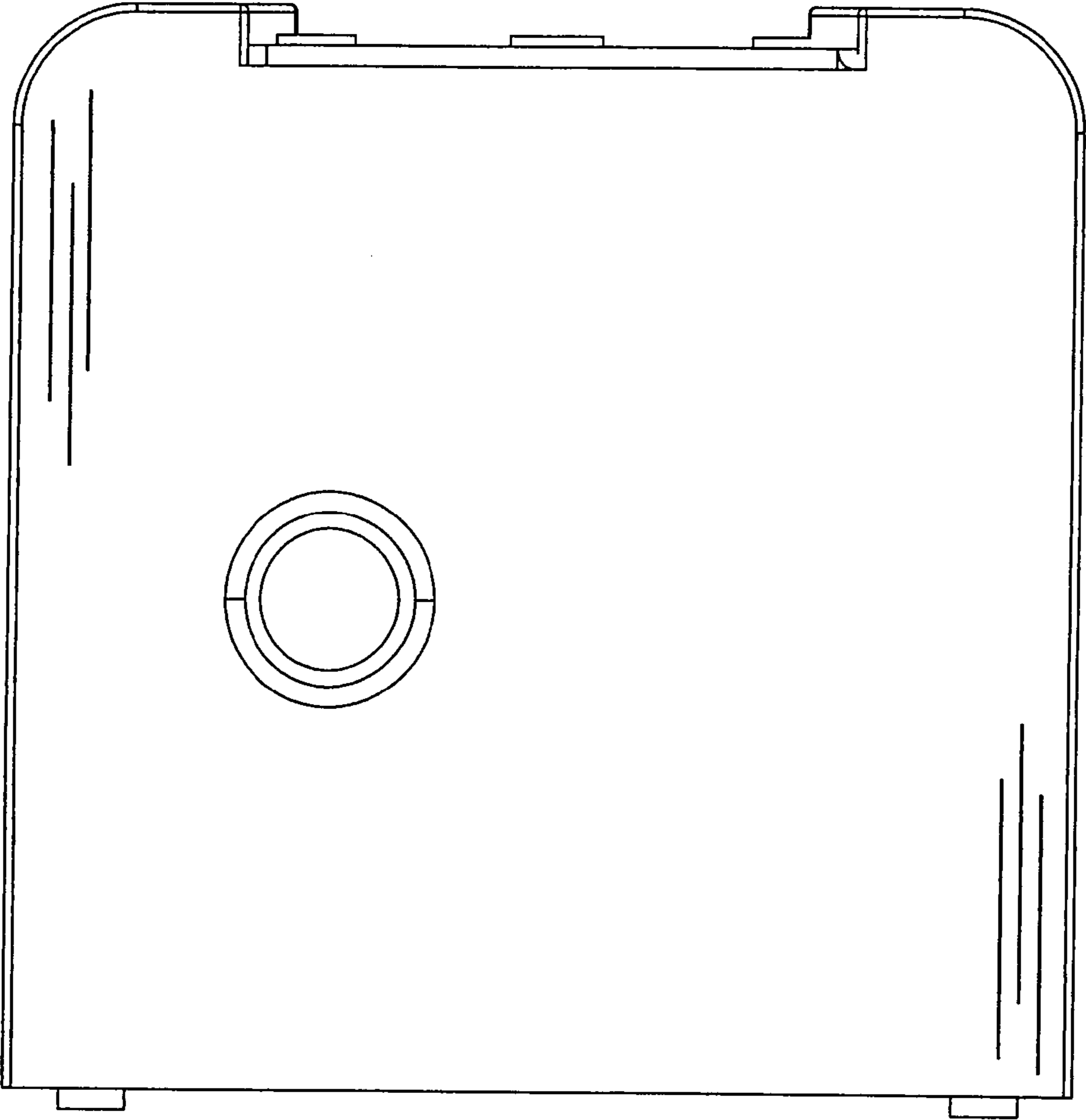


FIG. 9