



US00D573488S

(12) **United States Design Patent**  
**Sanz**

(10) **Patent No.:** **US D573,488 S**  
(45) **Date of Patent:** **\*\* Jul. 22, 2008**

(54) **WATCH**

(75) **Inventor:** **Claude Sanz, Versoix (CH)**

(73) **Assignee:** **Jacob & Co., SA (CH)**

(\*\*) **Term:** **14 Years**

(21) **Appl. No.:** **29/299,629**

(22) **Filed:** **Dec. 31, 2007**

(51) **LOC (8) Cl.** ..... **10-02**

(52) **U.S. Cl.** ..... **D10/39**

(58) **Field of Classification Search** ..... D10/30-39,  
D10/122-126; 368/276, 281, 282, 285, 80,  
368/223, 228, 232

See application file for complete search history.

(56) **References Cited**

**U.S. PATENT DOCUMENTS**

4,972,393	A	*	11/1990	Sase et al.	.....	368/28
D325,535	S	*	4/1992	Yamamoto	.....	D10/39
D373,957	S	*	9/1996	Mareschal	.....	D10/30
D416,814	S	*	11/1999	Welsh	.....	D10/31
D433,949	S	*	11/2000	Helleu	.....	D10/30
D445,038	S	*	7/2001	Subilia	.....	D10/30
D447,705	S	*	9/2001	Scheufele	.....	D10/39
D455,971	S	*	4/2002	Yamamoto et al.	.....	D10/39
D493,375	S	*	7/2004	Arabov	.....	D10/39
D494,478	S	*	8/2004	Arabov	.....	D10/39
D500,451	S	*	1/2005	Yamamoto	.....	D10/32
D500,683	S	*	1/2005	Sabarthes et al.	.....	D10/39
D506,936	S	*	7/2005	Takahashi	.....	D10/32
D508,860	S	*	8/2005	Plan	.....	D10/39
D518,743	S	*	4/2006	Sugiura et al.	.....	D10/32

D520,384	S	*	5/2006	Scheufele	.....	D10/39
D524,171	S	*	7/2006	Monachon	.....	D10/32
D536,995	S	*	2/2007	Oshita	.....	D10/31
D537,367	S	*	2/2007	Oshita	.....	D10/31
D538,182	S	*	3/2007	Lalo	.....	D10/32
D538,184	S	*	3/2007	Scheufele	.....	D10/39
D552,491	S	*	10/2007	Vidal	.....	D10/38

**OTHER PUBLICATIONS**

Watches International VI, The Original Annual of the World's Finest Wristwatches, copyright 2005, pp. 324 and 326, Jacob & Co. watches.\*

\* cited by examiner

*Primary Examiner*—Lucy Lieberman

(74) *Attorney, Agent, or Firm*—Galbreath Law Offices, P.C.;  
John A. Galbreath

(57) **CLAIM**

The ornamental design for a watch, as shown and described.

**DESCRIPTION**

FIG. 1 is a perspective view of the invention;

FIG. 2 is a top view of the invention;

FIG. 3 is a bottom view of the invention;

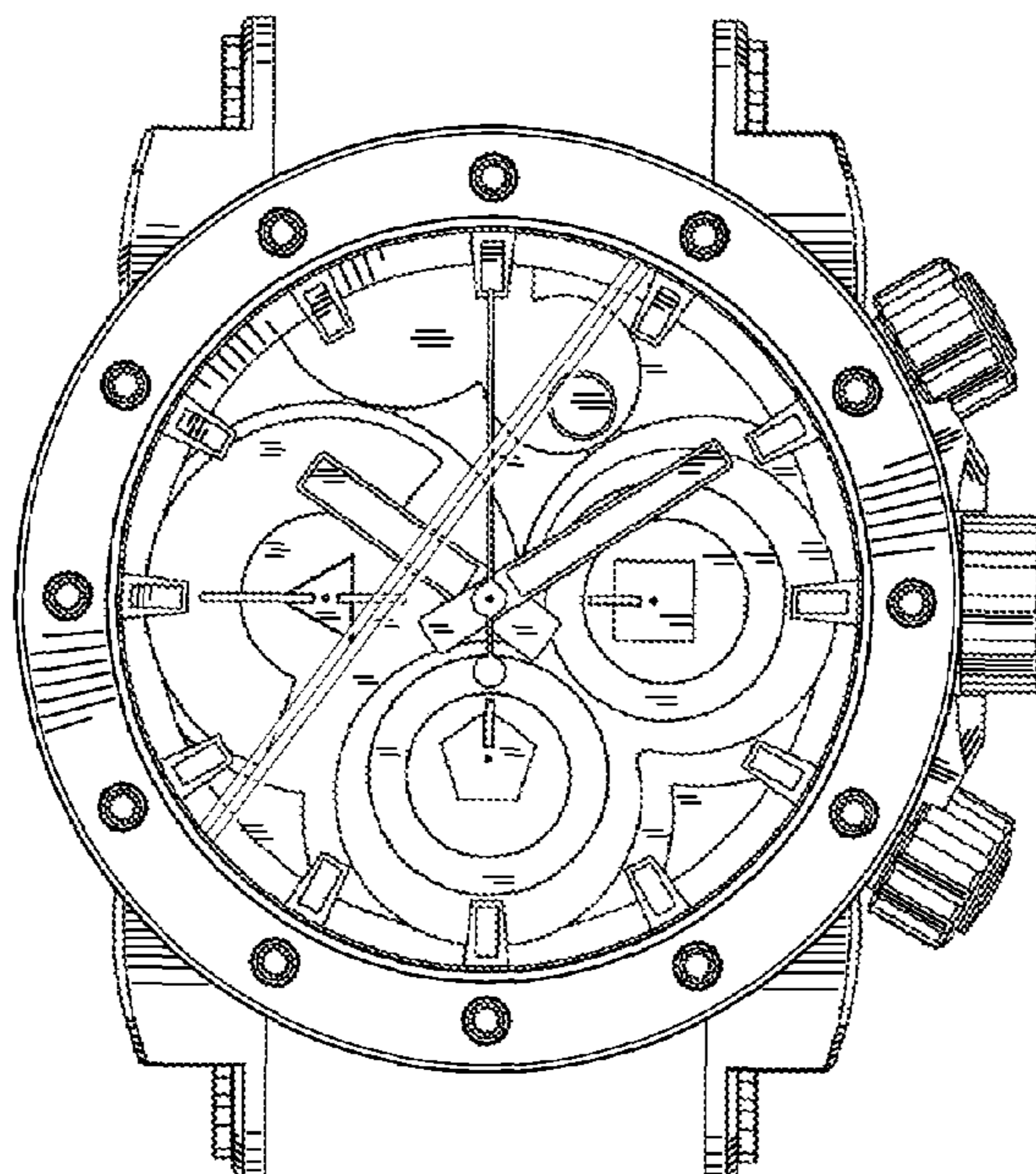
FIG. 4 is a side view of the invention;

FIG. 5 is a side view of the invention, showing the side opposite that shown in FIG. 4;

FIG. 6 is a front view of the invention; and,

FIG. 7 is a back view of the invention.

**1 Claim, 4 Drawing Sheets**



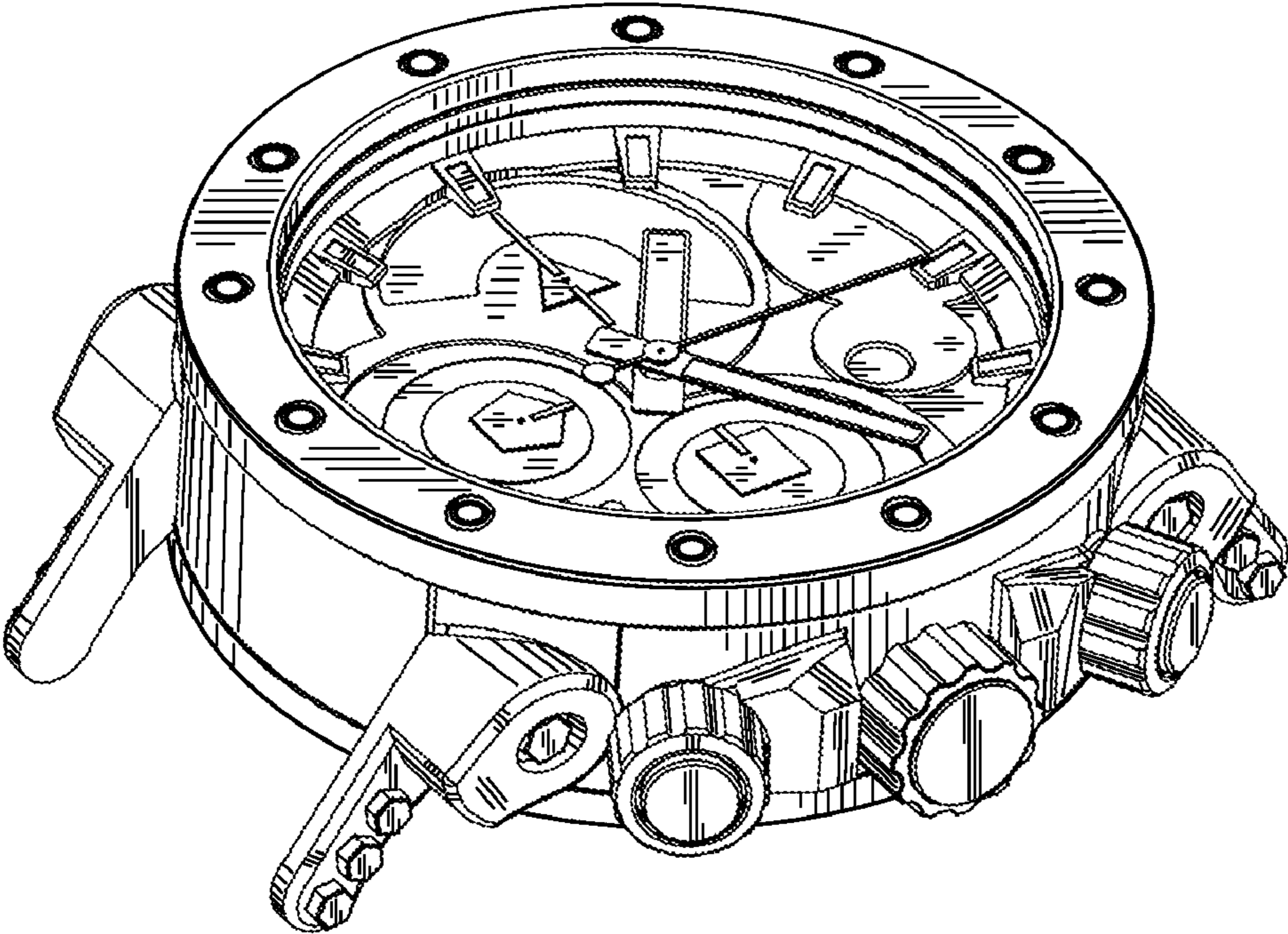


Fig. 1

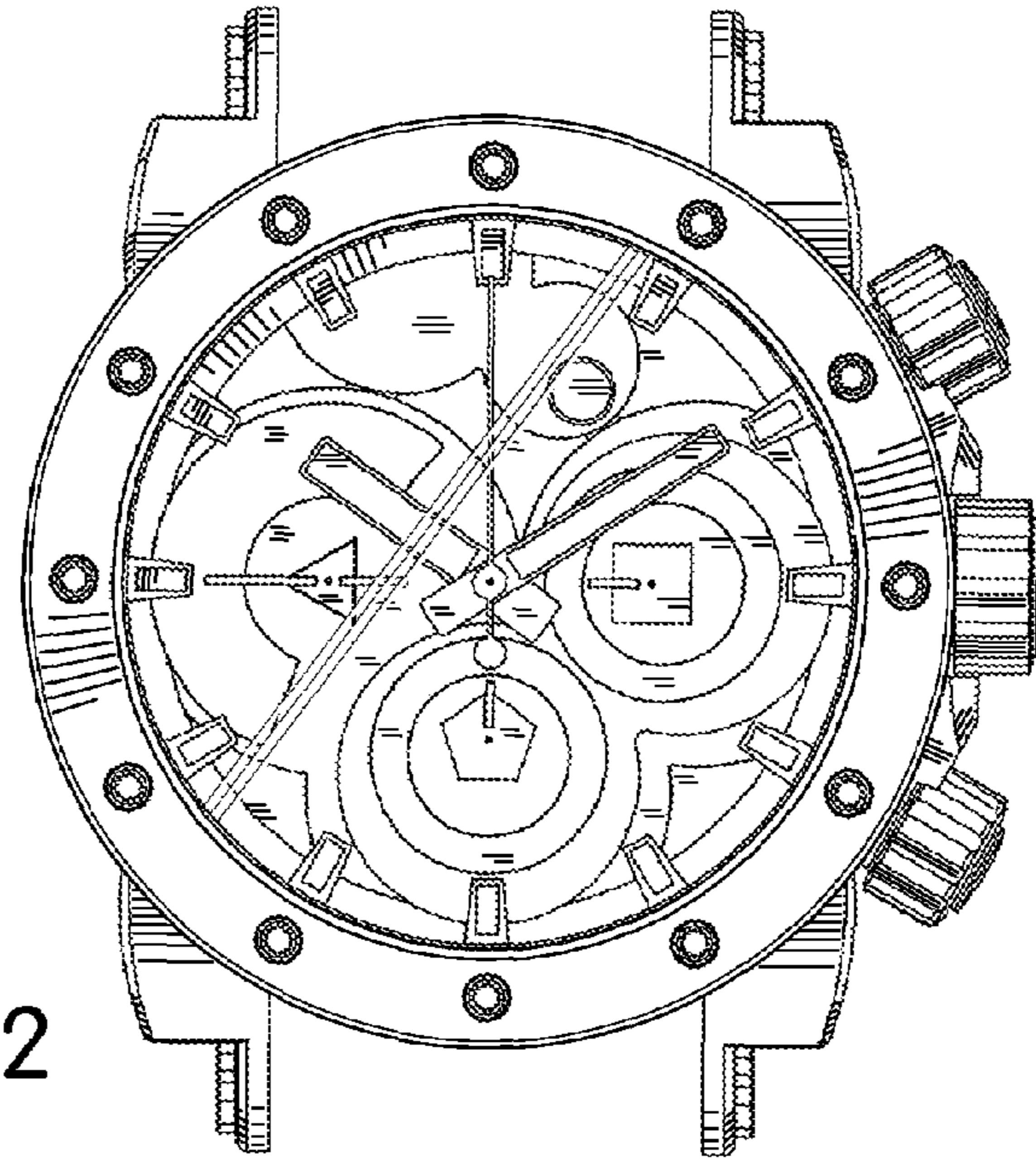


Fig. 2

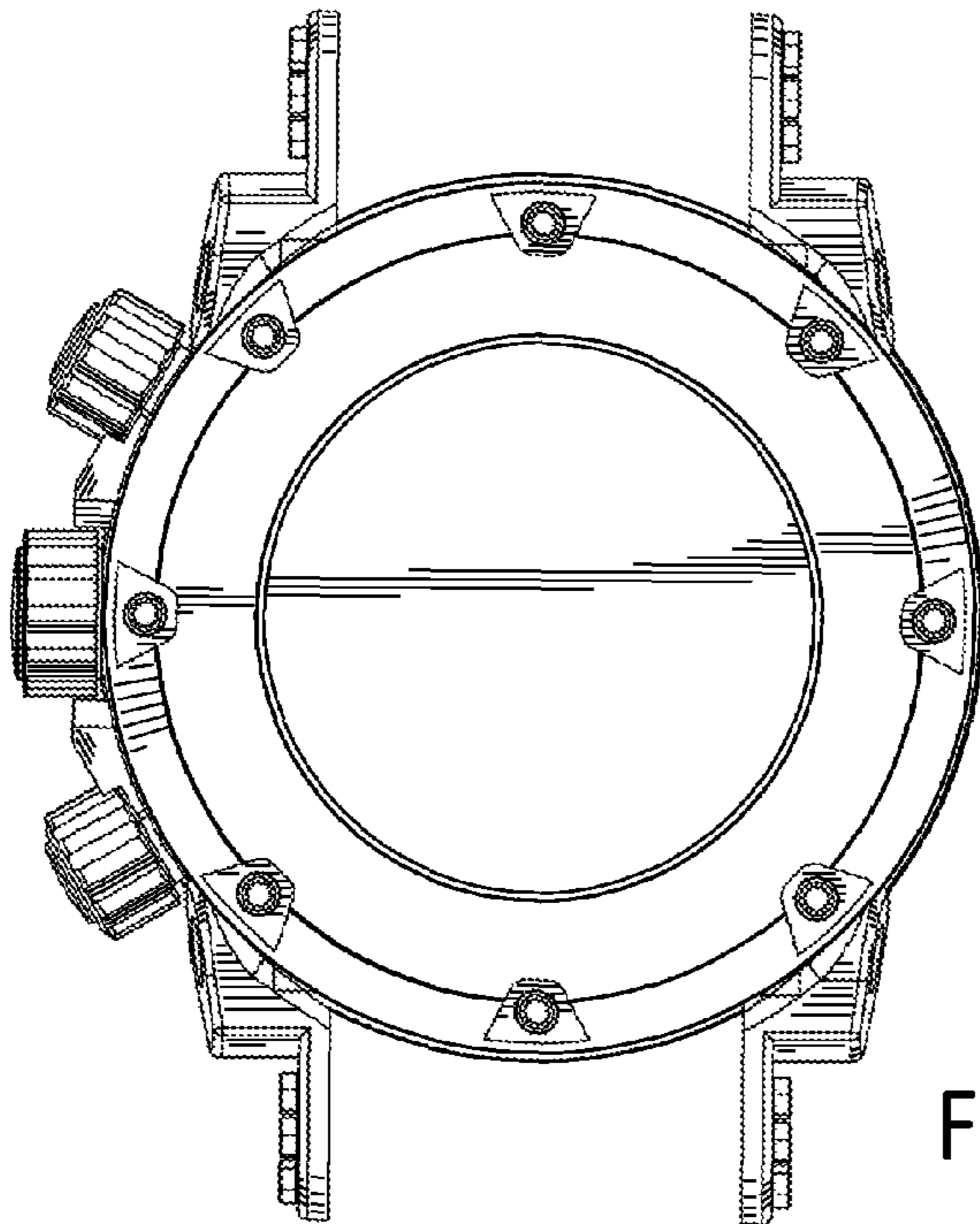


Fig. 3

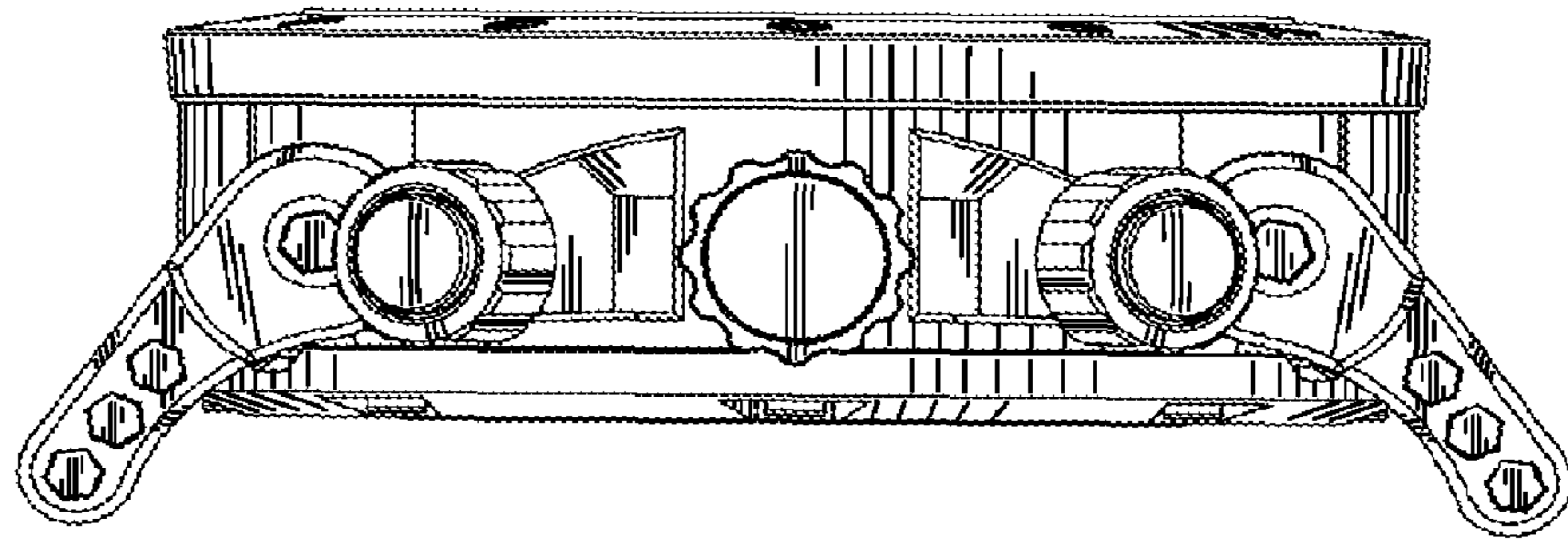


Fig. 4

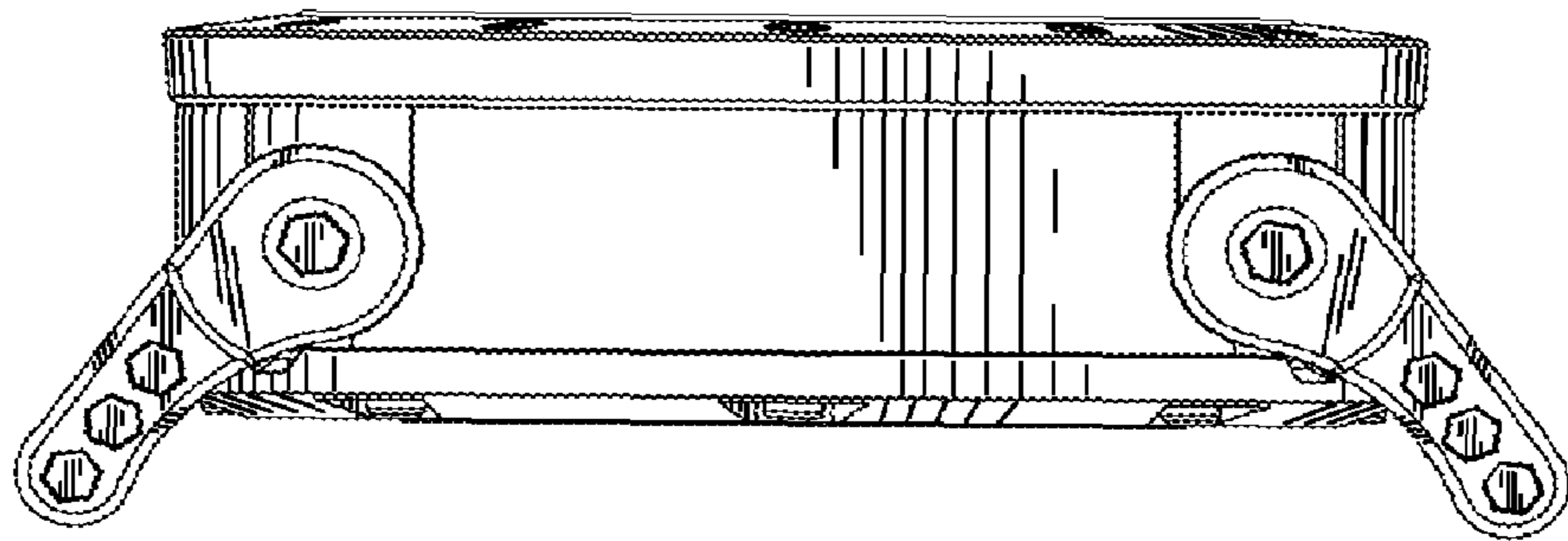


Fig. 5

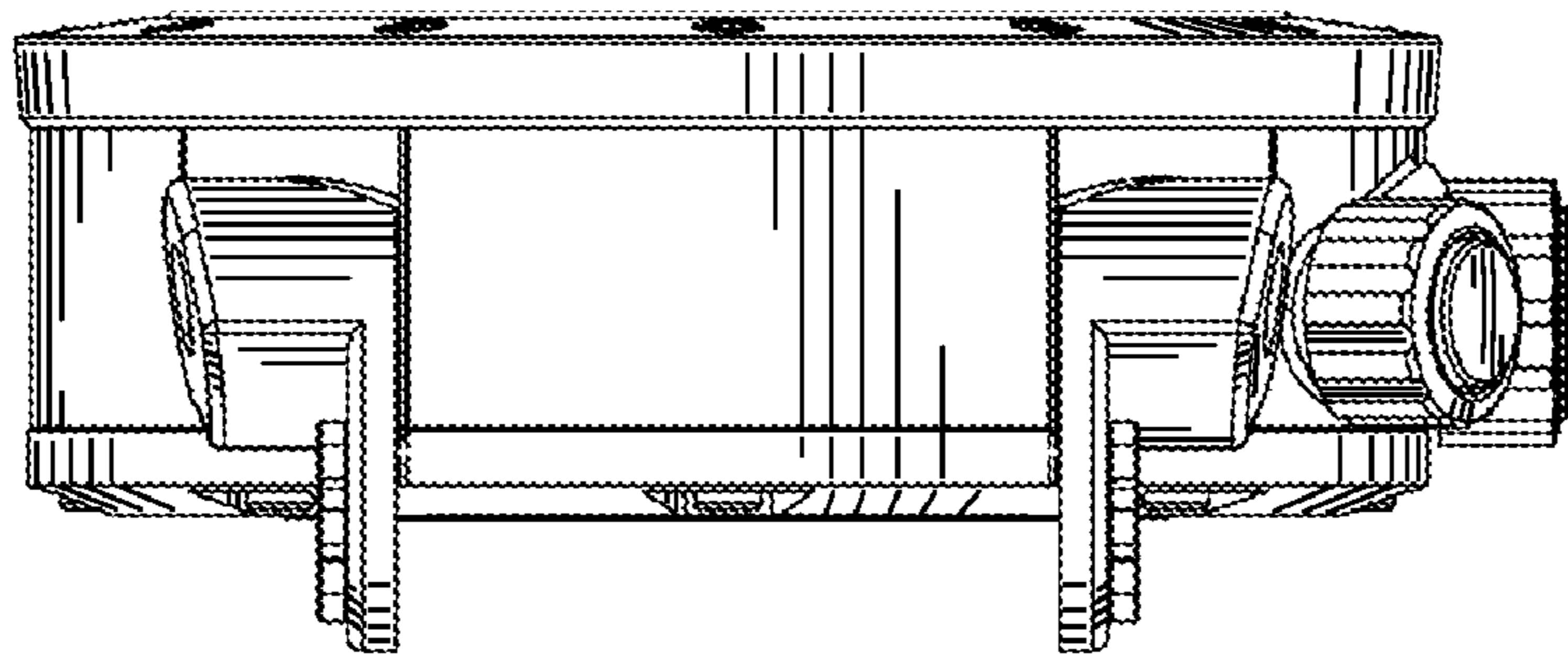


Fig. 6

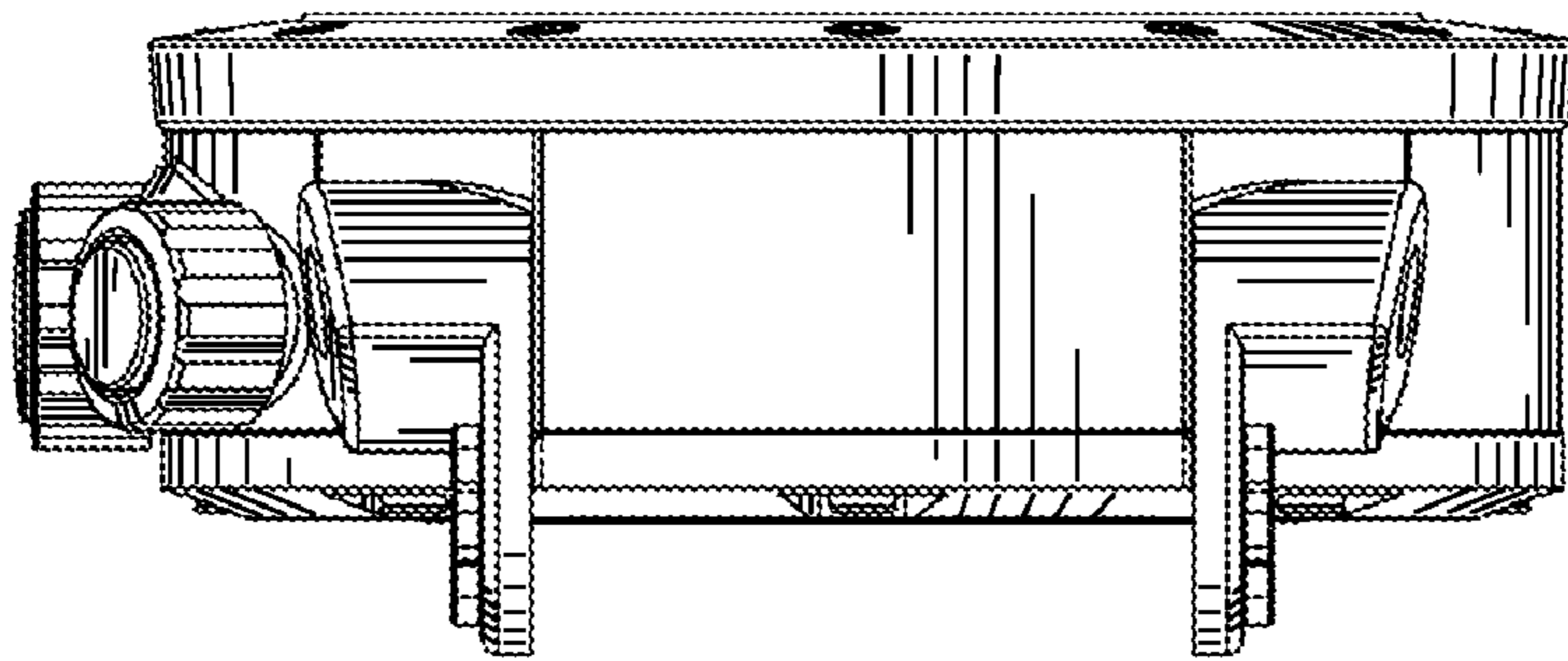


Fig. 7