



US00D573487S

(12) **United States Design Patent**
Sanz

(10) **Patent No.:** **US D573,487 S**

(45) **Date of Patent:** **** Jul. 22, 2008**

(54) **WATCH**

(75) **Inventor:** **Claude Sanz, Versoix (CH)**

(73) **Assignee:** **Jacob & Co., SA (CH)**

(**) **Term:** **14 Years**

(21) **Appl. No.:** **29/299,628**

(22) **Filed:** **Dec. 31, 2007**

(51) **LOC (8) Cl.** **10-02**

(52) **U.S. Cl.** **D10/39**

(58) **Field of Classification Search** D10/30-39,
D10/122-126; 368/276, 281, 282, 285, 80,
368/223, 228, 232

See application file for complete search history.

(56) **References Cited**

U.S. PATENT DOCUMENTS

3,603,014	A	*	9/1971	Schomburg	40/107
D240,605	S	*	7/1976	Sticker	D10/38
D302,131	S	*	7/1989	Woomer	D10/39
D351,799	S	*	10/1994	Bulgari	D10/39
D370,854	S	*	6/1996	Chodat	D10/30
D375,053	S	*	10/1996	Voegeli	D10/30
D384,294	S	*	9/1997	Woo et al.	D10/30
D386,095	S	*	11/1997	Perrin et al.	D10/39
D390,127	S	*	2/1998	Kennedy	D10/32
D413,526	S	*	9/1999	Perrin et al.	D10/30
D445,038	S	*	7/2001	Subilia	D10/30
D456,274	S	*	4/2002	Mille	D10/30
D493,375	S	*	7/2004	Arabov	D10/39

D494,478	S	*	8/2004	Arabov	D10/39
D519,390	S	*	4/2006	Lovegrove	D10/39
D519,853	S	*	5/2006	Sirmakes	D10/32
D537,368	S	*	2/2007	Oshita	D10/31
D539,671	S	*	4/2007	Lassigne	D10/32
D542,159	S	*	5/2007	Junod	D10/38

OTHER PUBLICATIONS

Watches International VI, The Original Annual of the World's Finest Wristwatches, copyright 2005, Tourbillon Publishing LLC., pp. 324 and 326, Jacob & Co. watches.*

* cited by examiner

Primary Examiner—Lucy Lieberman

(74) *Attorney, Agent, or Firm*—Galbreath Law Offices, P.C.; John A. Galbreath

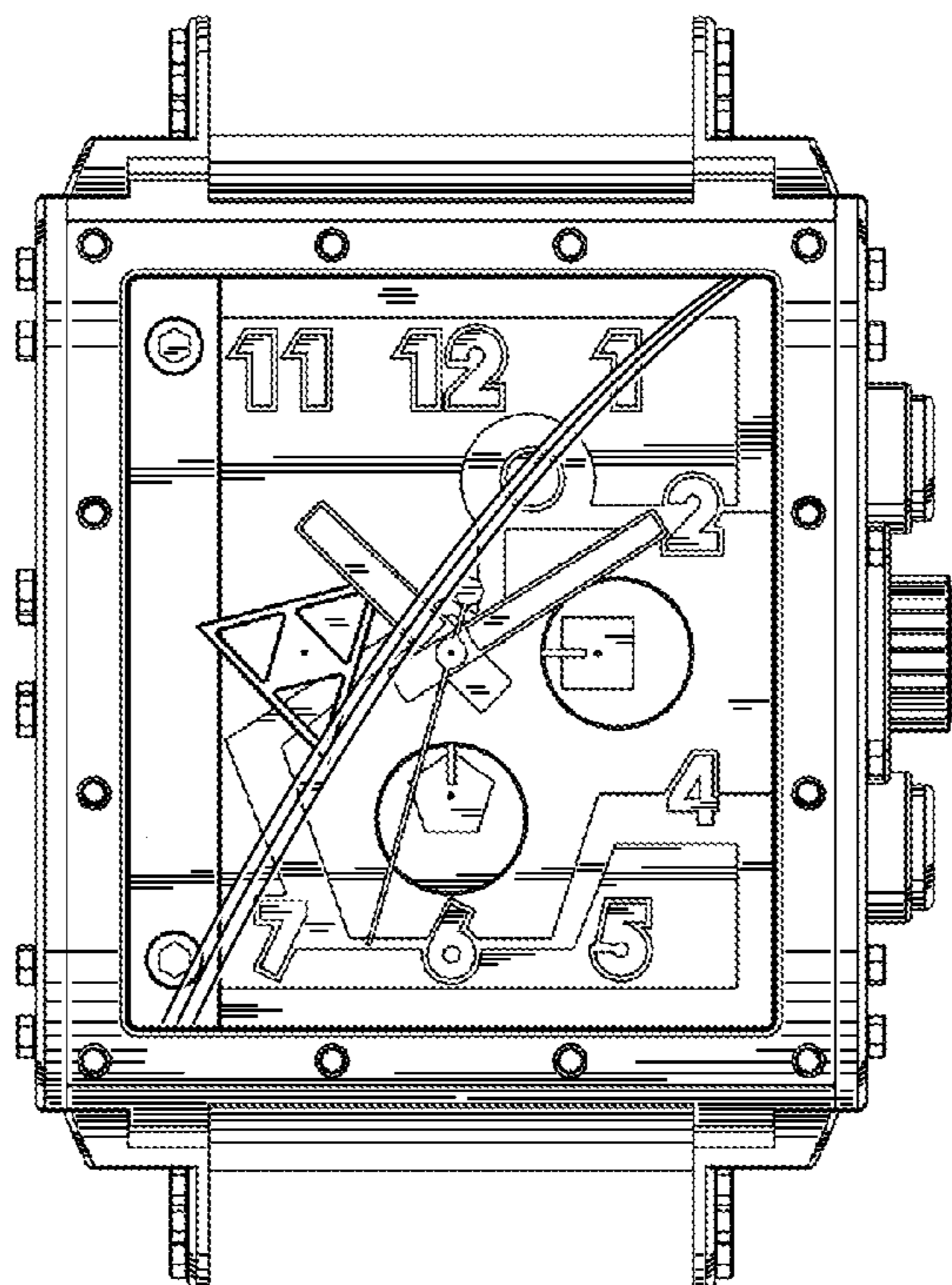
(57) **CLAIM**

The ornamental design for a watch, as shown and described.

DESCRIPTION

FIG. 1 is a perspective view of the invention;
FIG. 2 is a top view of the invention;
FIG. 3 is a bottom view of the invention;
FIG. 4 is a side view of the invention;
FIG. 5 is a side view of the invention, showing the side opposite that shown in FIG. 4;
FIG. 6 is a front view of the invention; and,
FIG. 7 is a back view of the invention.

1 Claim, 4 Drawing Sheets



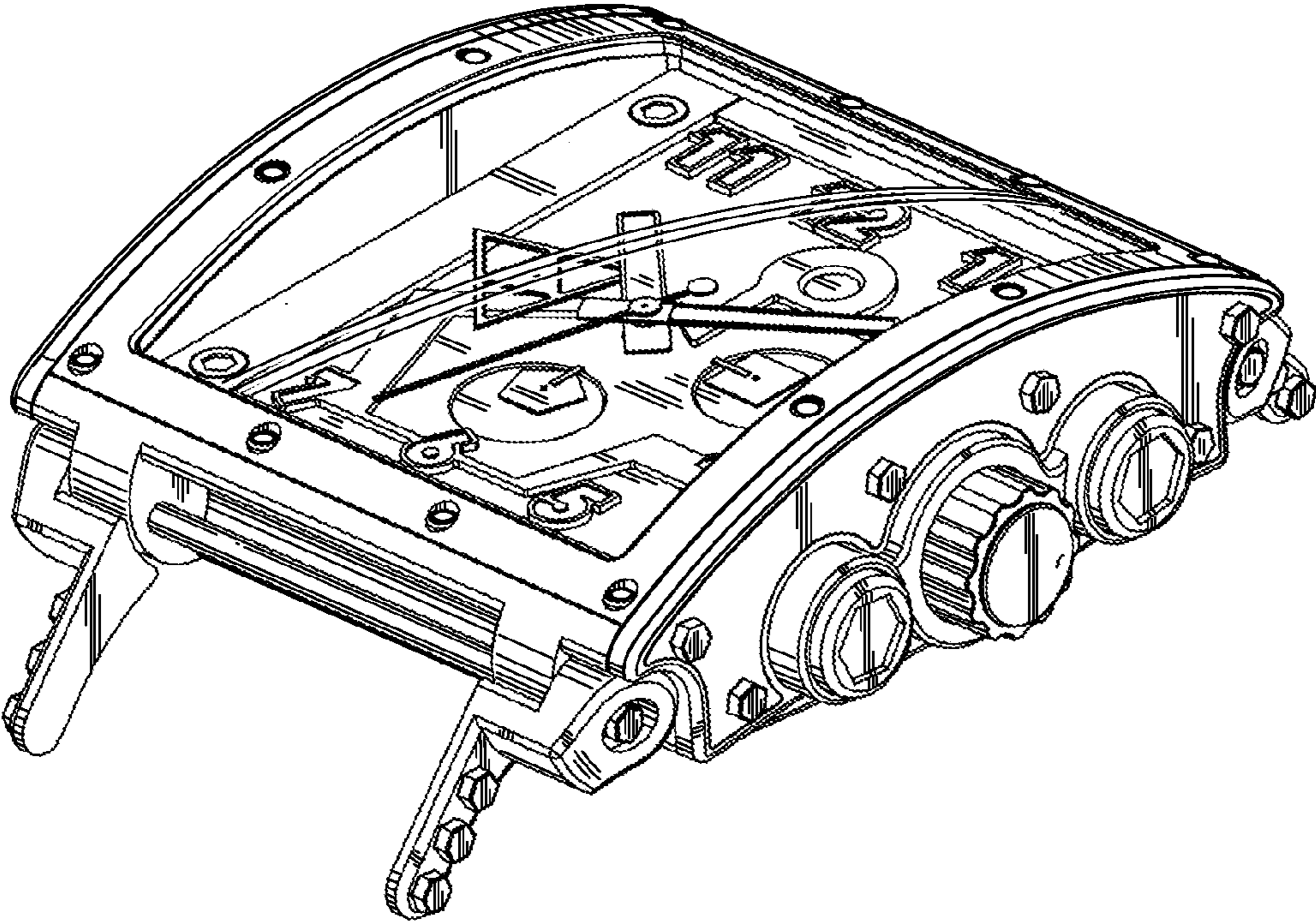


Fig. 1

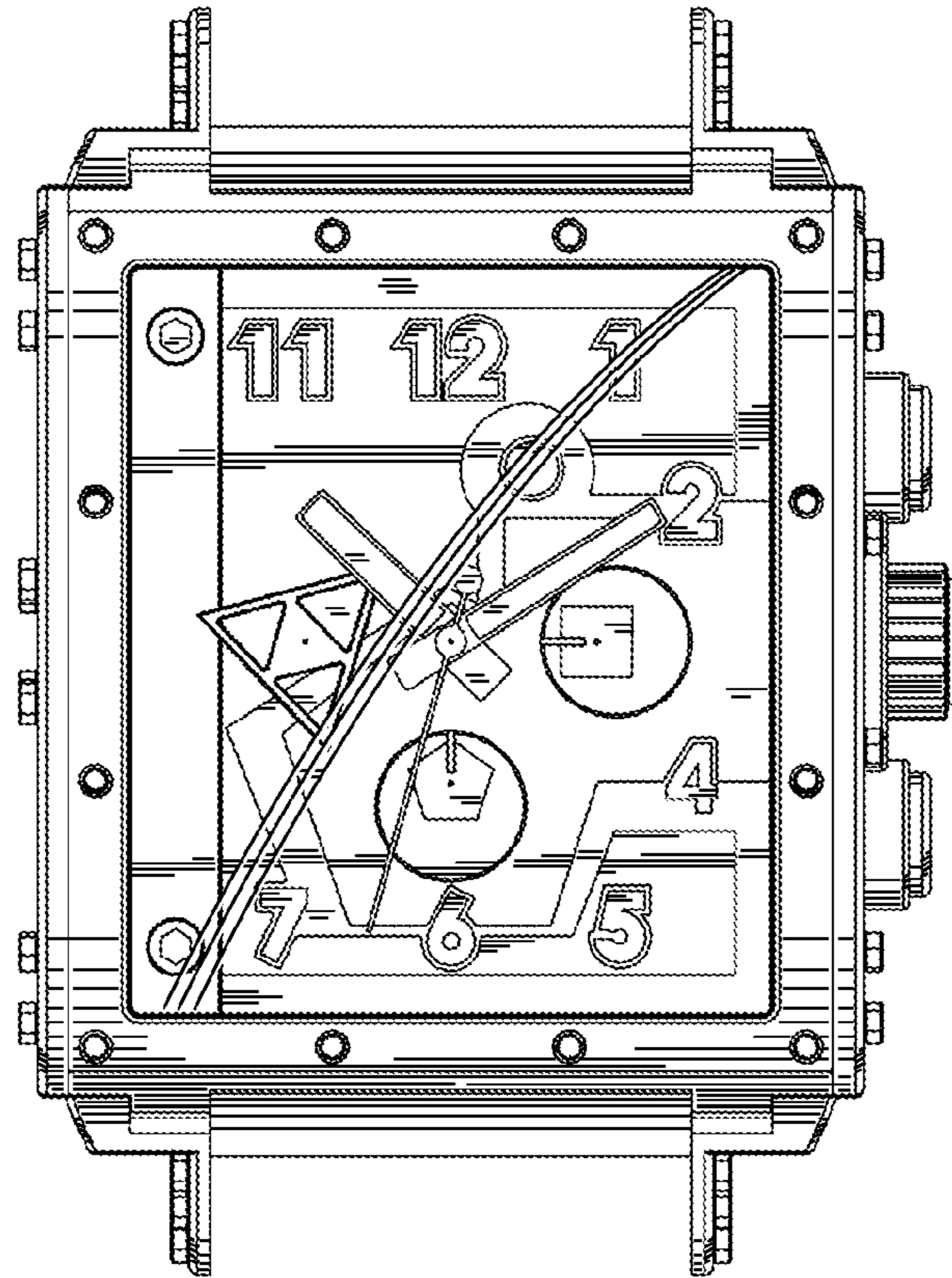


Fig. 2

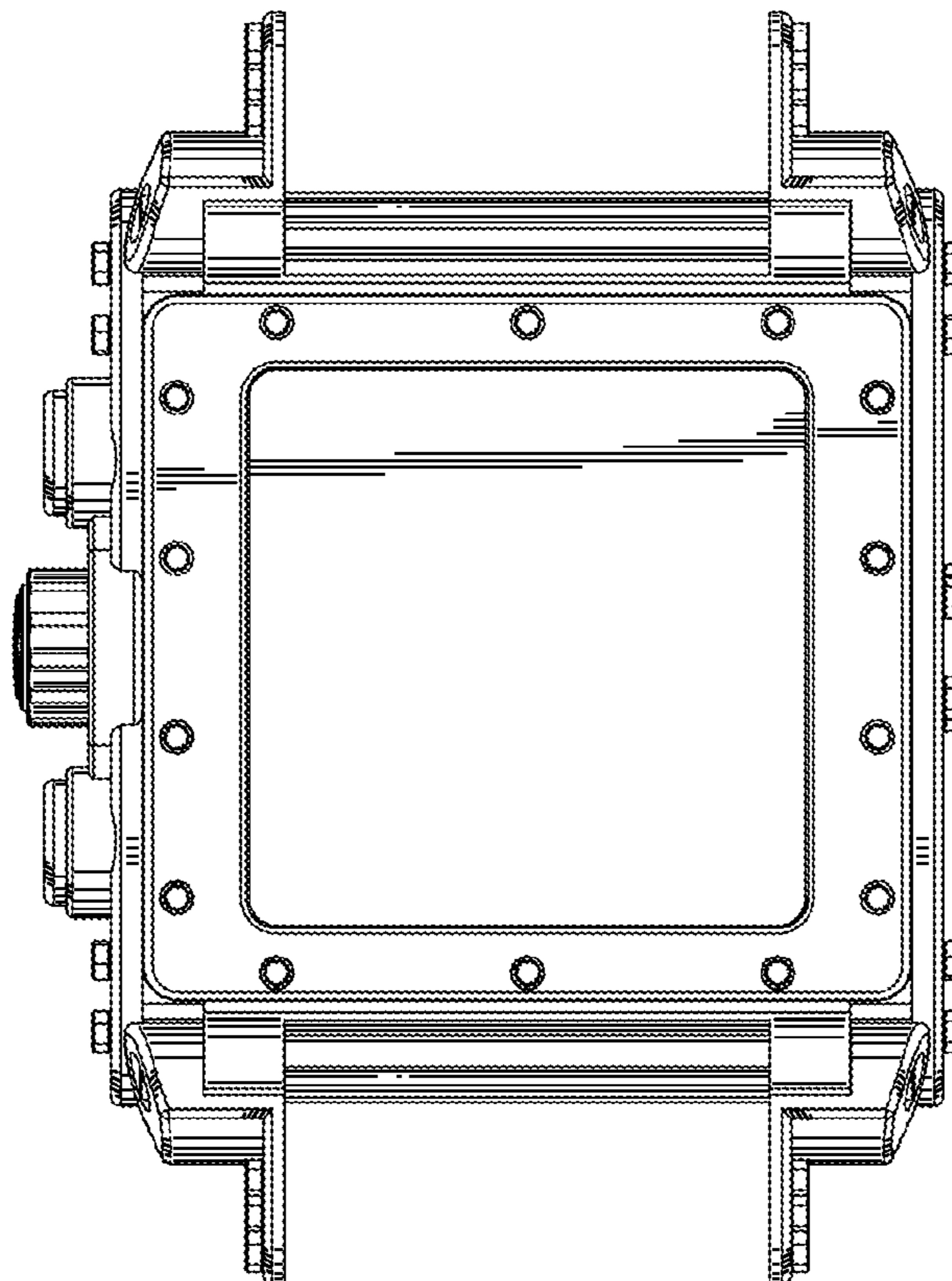


Fig. 3

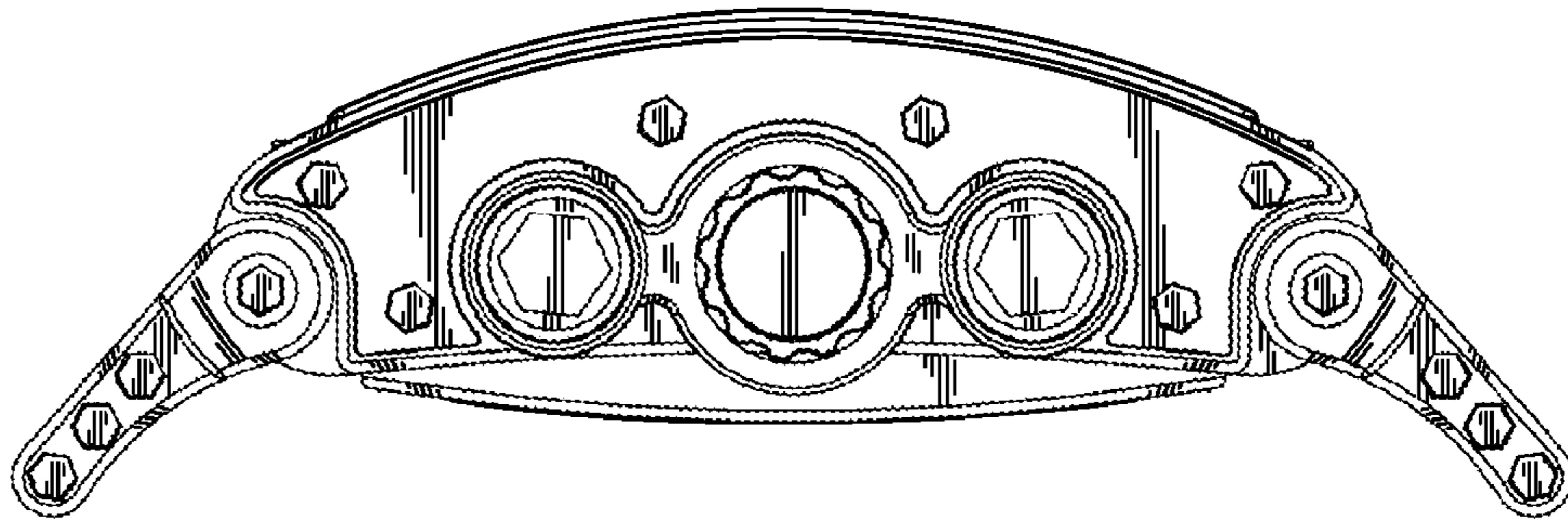


Fig. 4

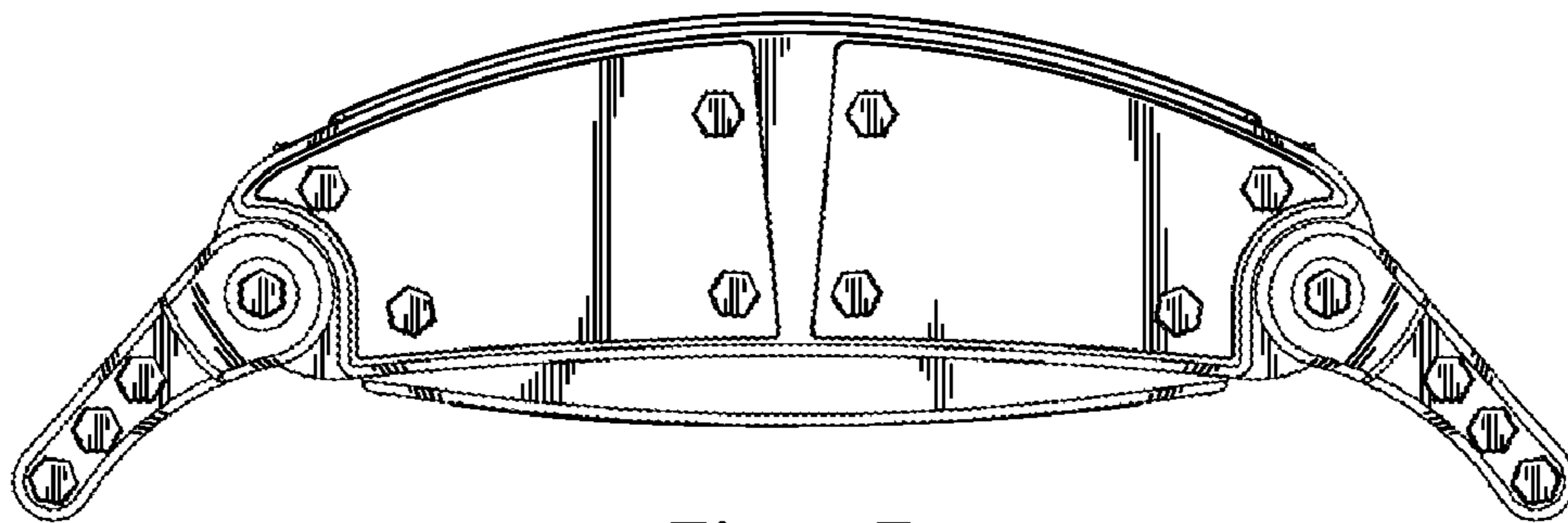


Fig. 5

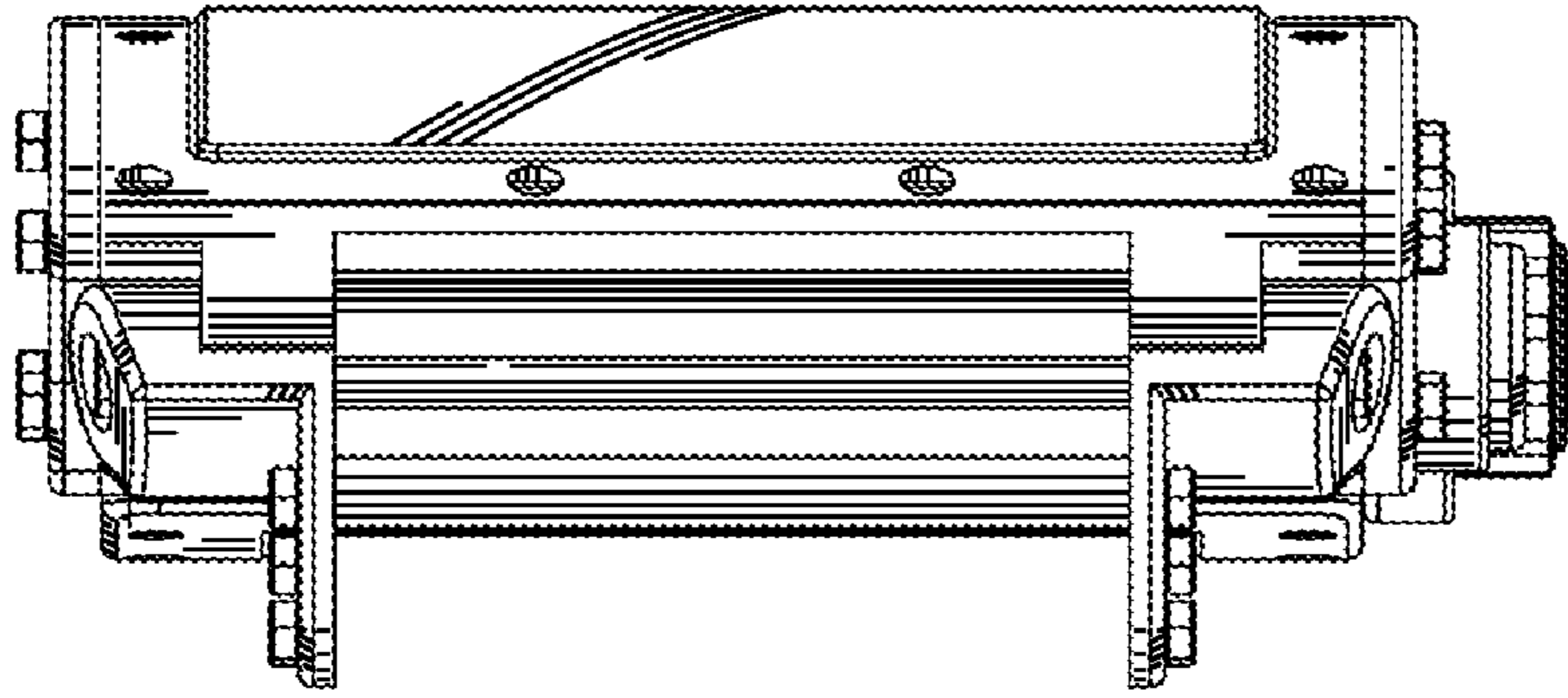


Fig. 6

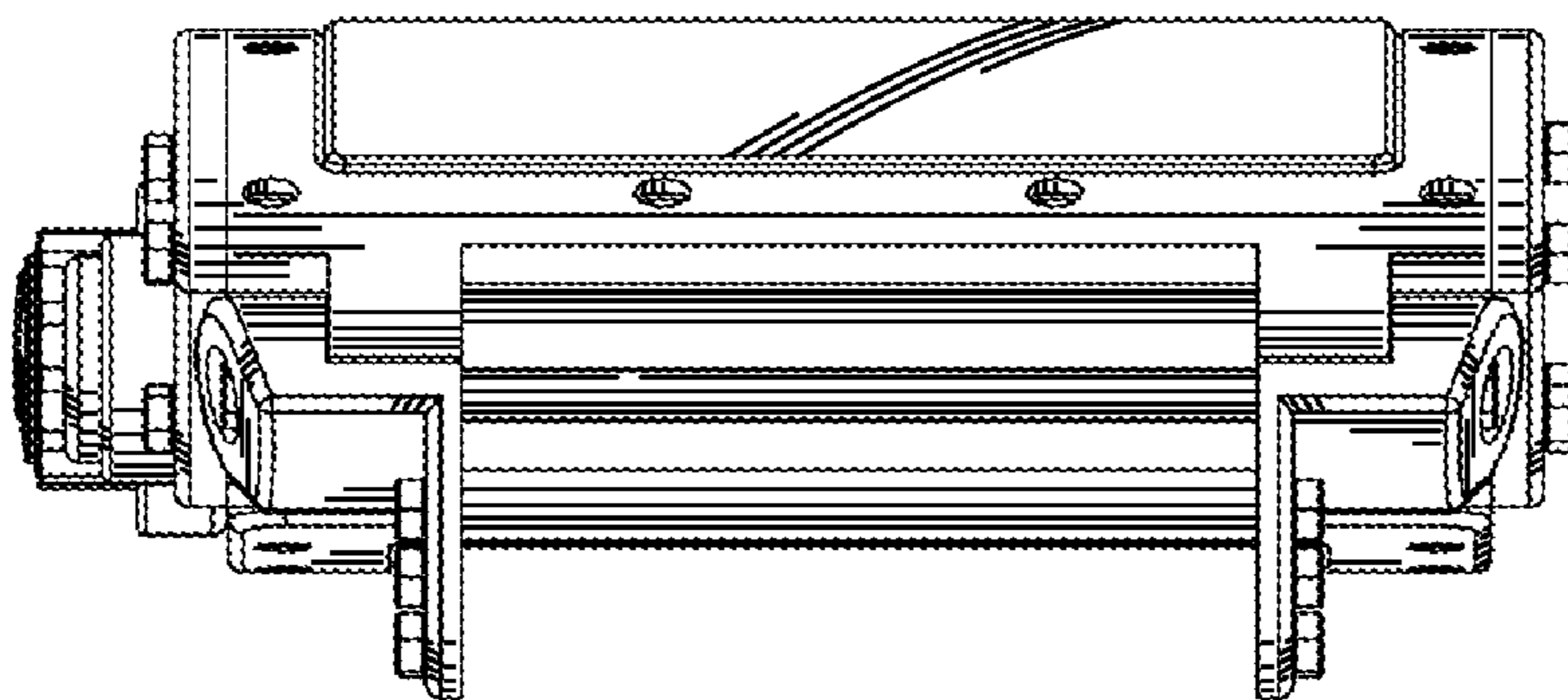


Fig. 7