



US00D573486S

(12) **United States Design Patent**
Sanz

(10) **Patent No.:** **US D573,486 S**
(45) **Date of Patent:** **** Jul. 22, 2008**

- (54) **WATCH-CASE**
- (75) Inventor: **Claude Sanz**, Versoix (CH)
- (73) Assignee: **Jacob & Co., SA** (CH)
- (**) Term: **14 Years**
- (21) Appl. No.: **29/299,630**
- (22) Filed: **Dec. 31, 2007**
- (51) **LOC (8) Cl.** **10-02**
- (52) **U.S. Cl.** **D10/38**
- (58) **Field of Classification Search** D10/30-39;
368/276, 281, 282, 285, 294, 295
See application file for complete search history.

D415,040 S	*	10/1999	Sang	D10/30
D438,472 S		3/2001	Fichter	D10/39
D459,241 S		6/2002	Bodino	D10/32
D504,624 S		5/2005	Bodino	D10/39
D507,496 S		7/2005	Tang	D10/30
D508,416 S		8/2005	Tang	D10/30
D542,676 S		5/2007	Cheng	D10/38
D551,095 S		9/2007	Monachon	D10/32

* cited by examiner

Primary Examiner—Lucy Lieberman
(74) *Attorney, Agent, or Firm*—Galbreath Law Offices, P.C.;
John A. Galbreath

(56) **References Cited**

U.S. PATENT DOCUMENTS

2,361,563 A	*	10/1944	Pellaton	368/80
D186,180 S	*	9/1959	Diamond	D10/39
3,427,800 A	*	2/1969	Blum	368/223
D365,526 S	*	12/1995	Gardner	D10/39
D379,934 S	*	6/1997	Riley	D10/30
D380,690 S	*	7/1997	Riley	D10/30
D382,815 S	*	8/1997	Riley	D10/30
D382,816 S	*	8/1997	Riley	D10/30
D390,791 S	*	2/1998	Kubisch	D10/39
D391,863 S	*	3/1998	Houlihan	D10/30
D394,402 S	*	5/1998	Riley	D10/32
D395,244 S	*	6/1998	Riley	D10/32

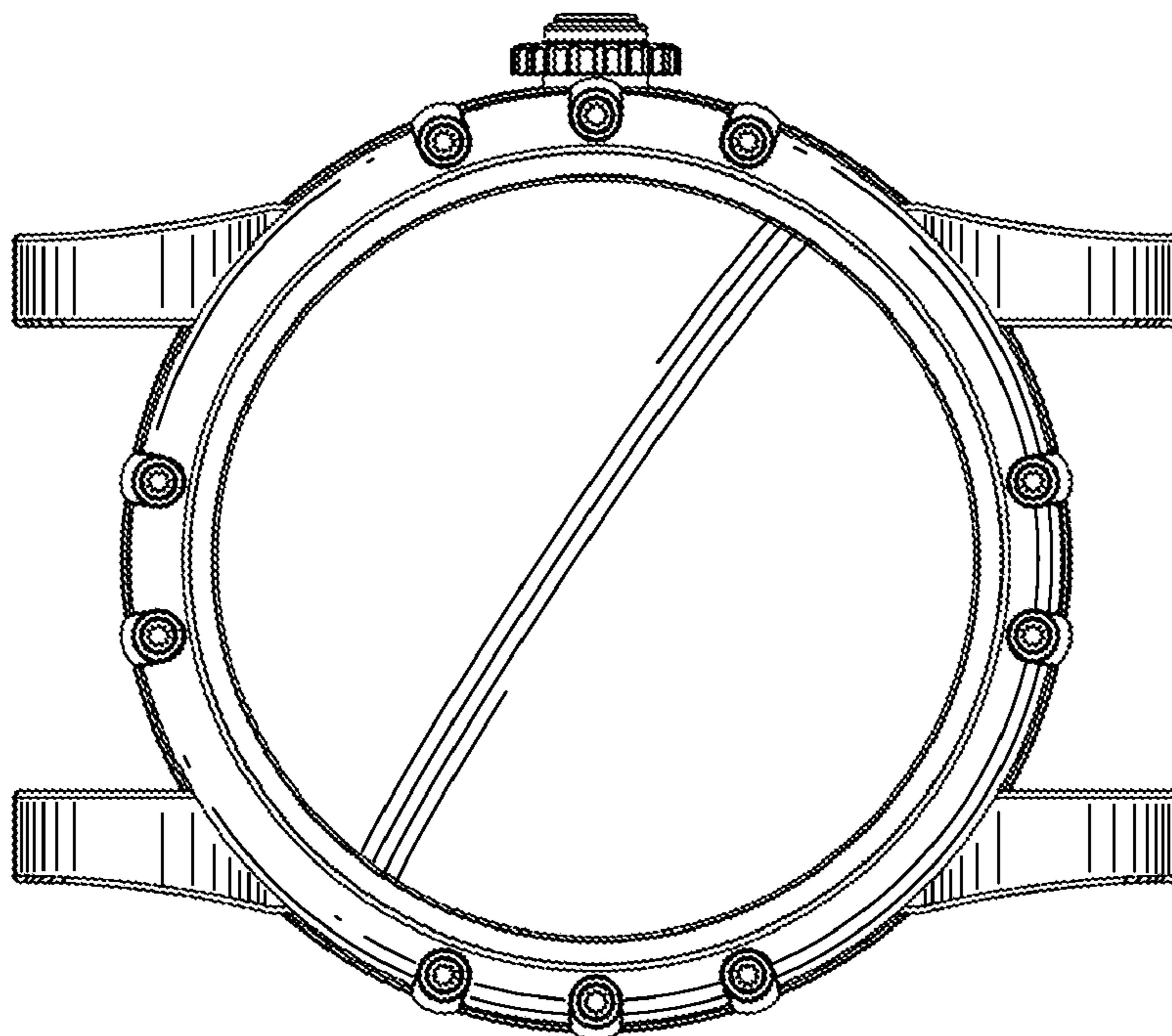
(57) **CLAIM**

The ornamental design for a watch-case, as shown and described.

DESCRIPTION

FIG. 1 is a perspective view of the invention;
FIG. 2 is a top view of the invention;
FIG. 3 is a bottom view of the invention;
FIG. 4 is a side view of the invention;
FIG. 5 is a side view of the invention, showing the side opposite that shown in FIG. 4;
FIG. 6 is a front view of the invention; and,
FIG. 7 is a back view of the invention.

1 Claim, 4 Drawing Sheets



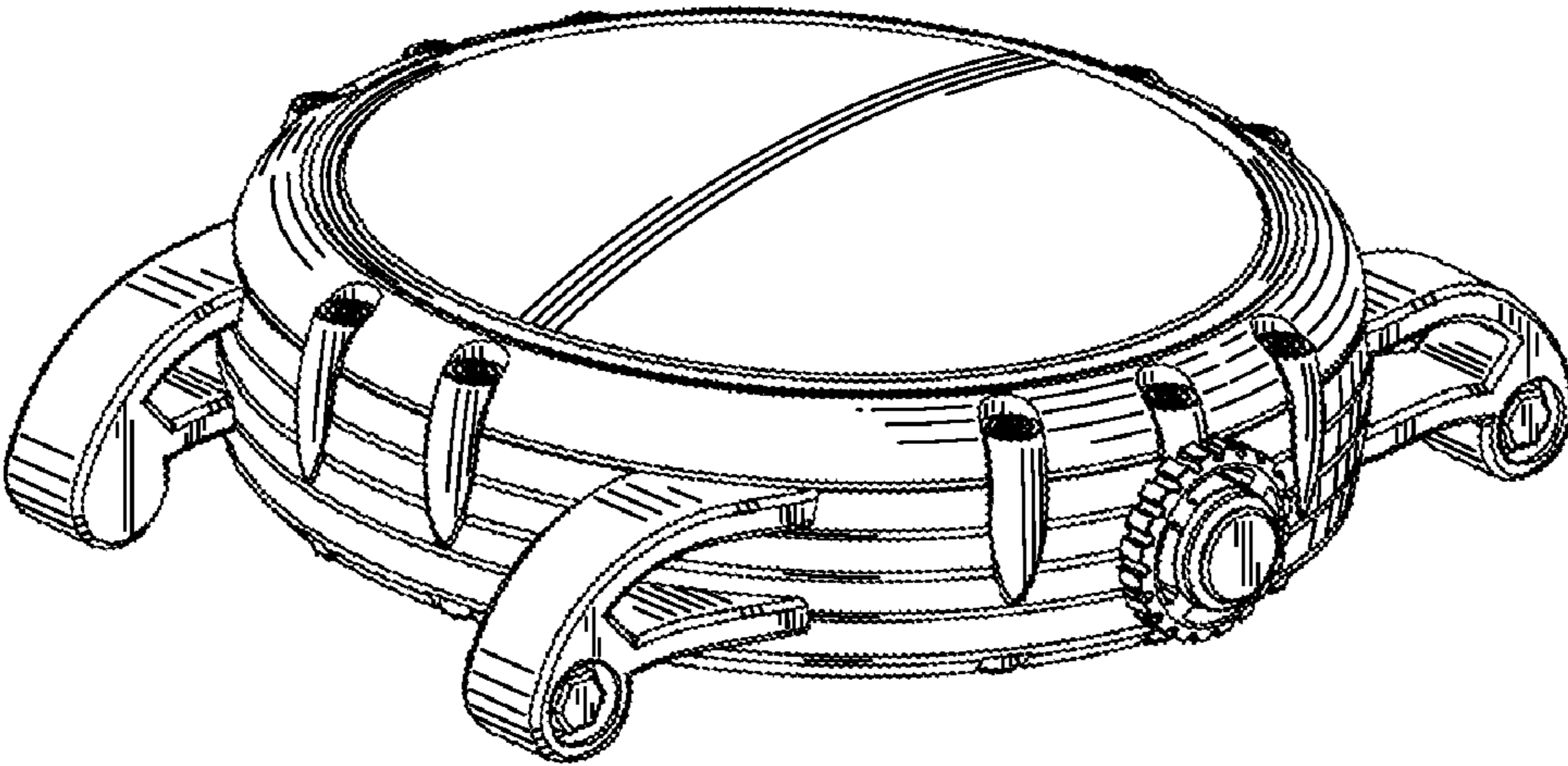


Fig. 1

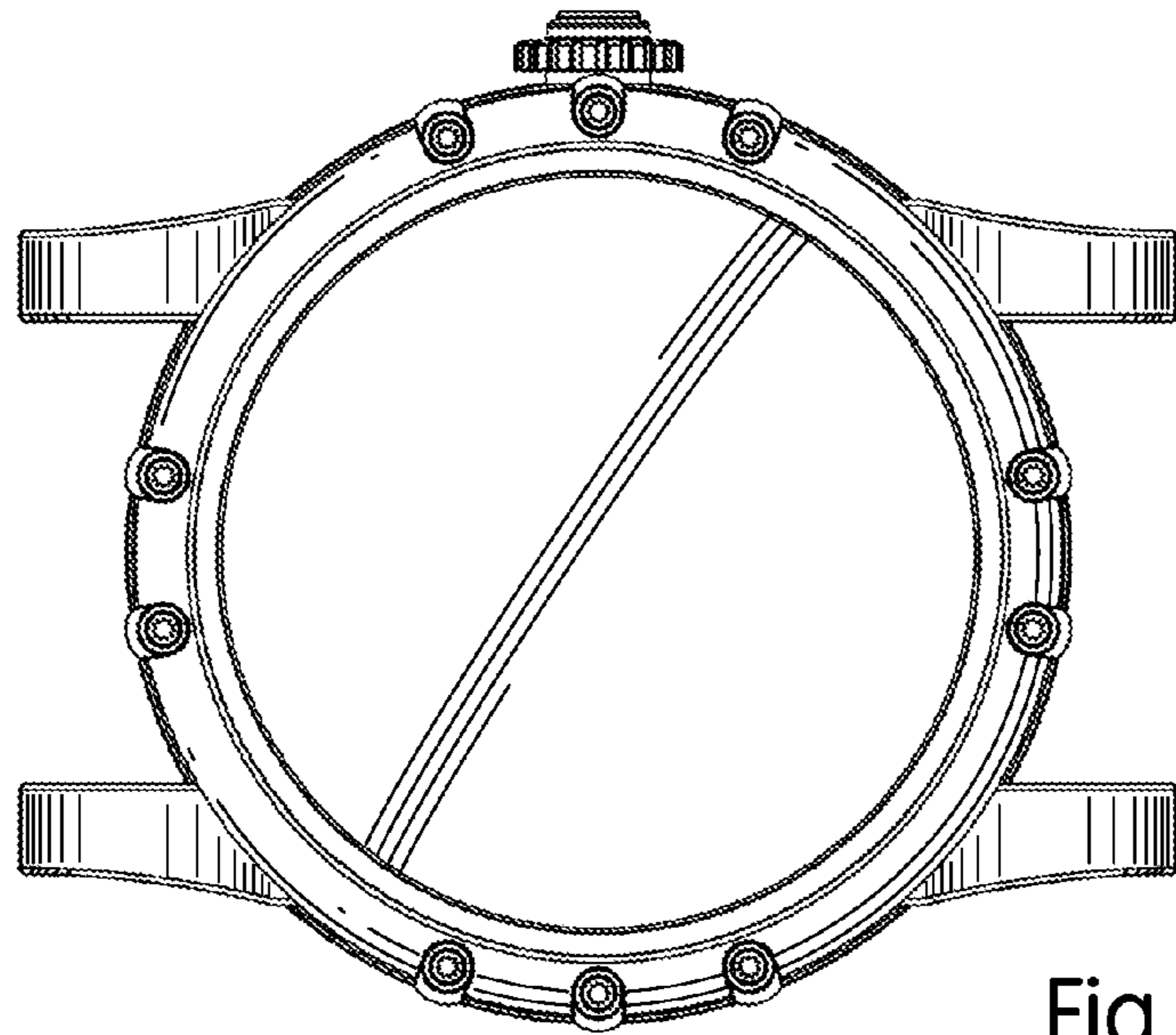


Fig. 2

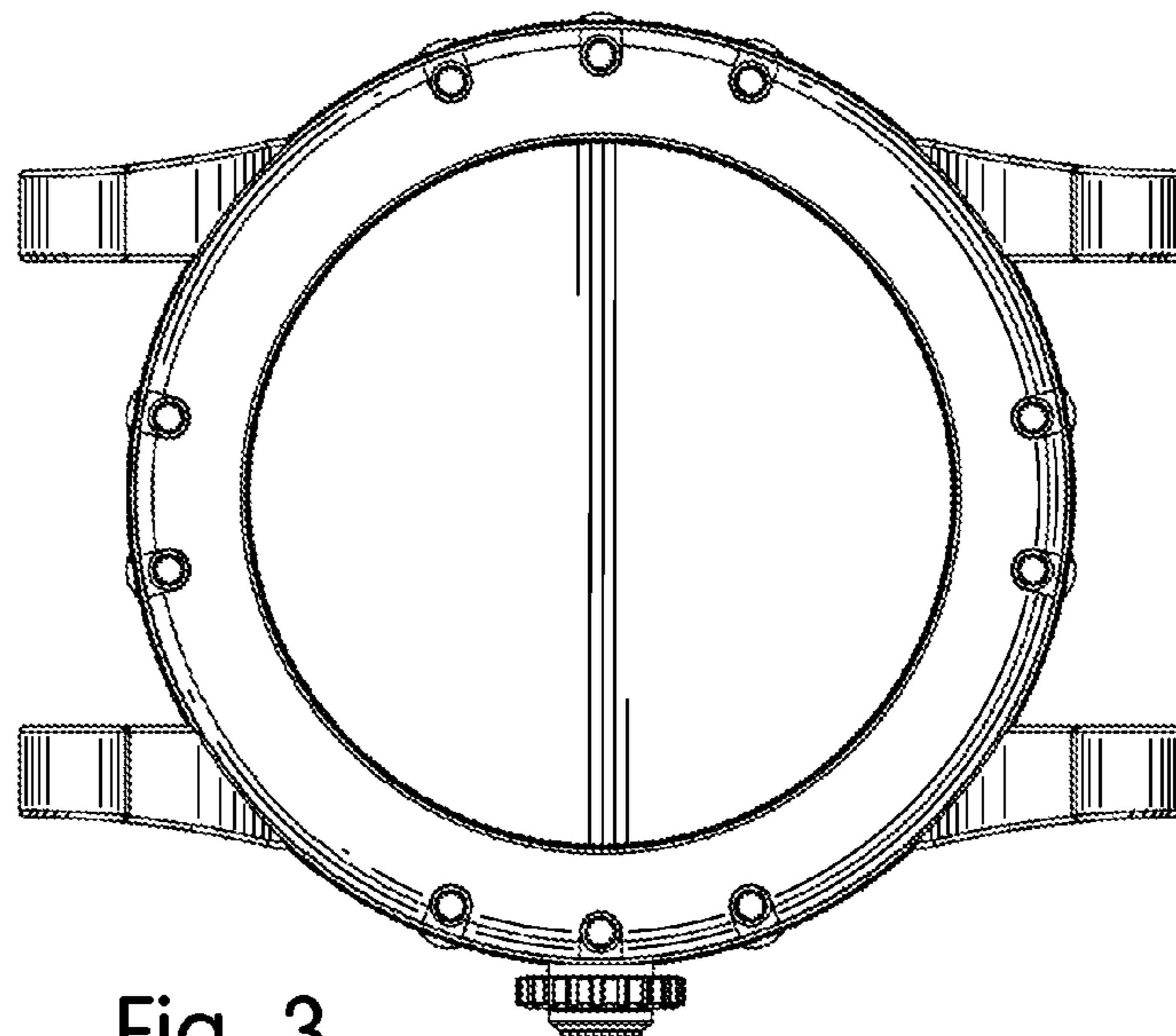


Fig. 3

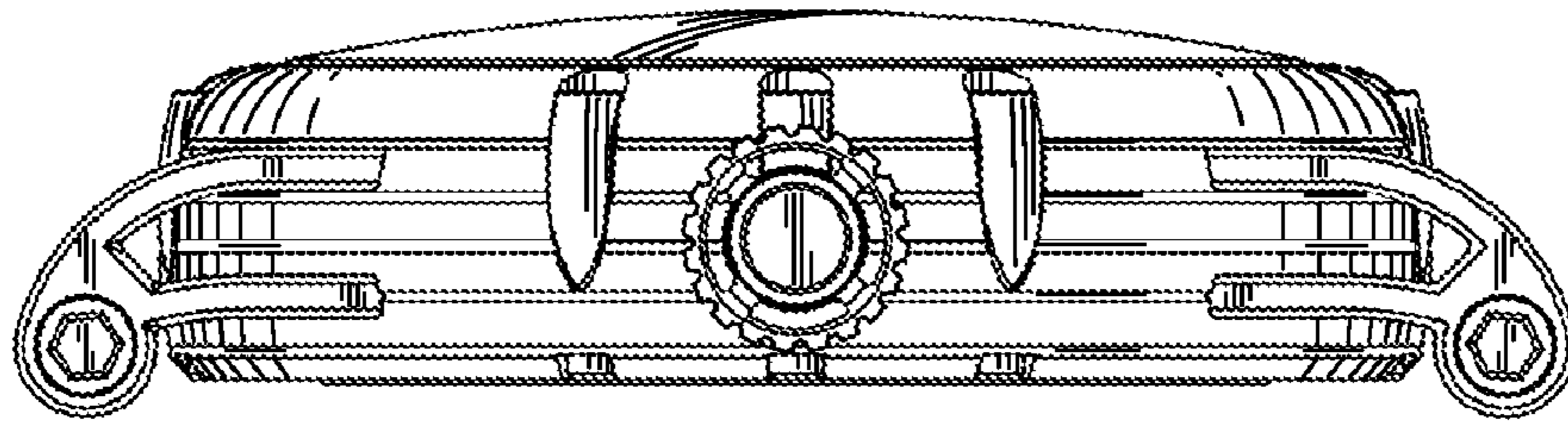


Fig. 4

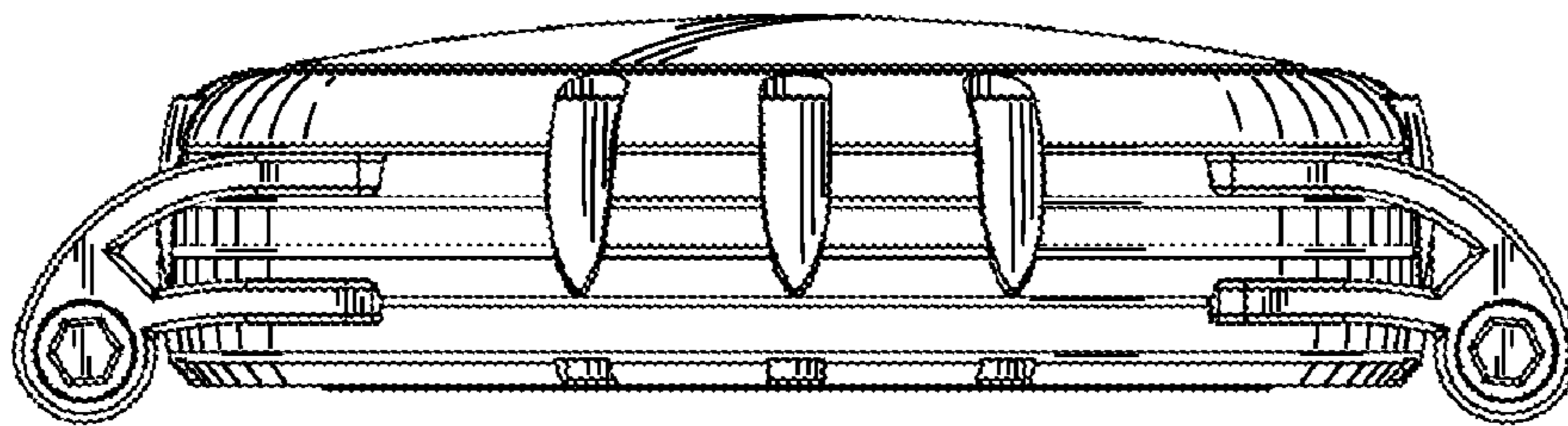


Fig. 5

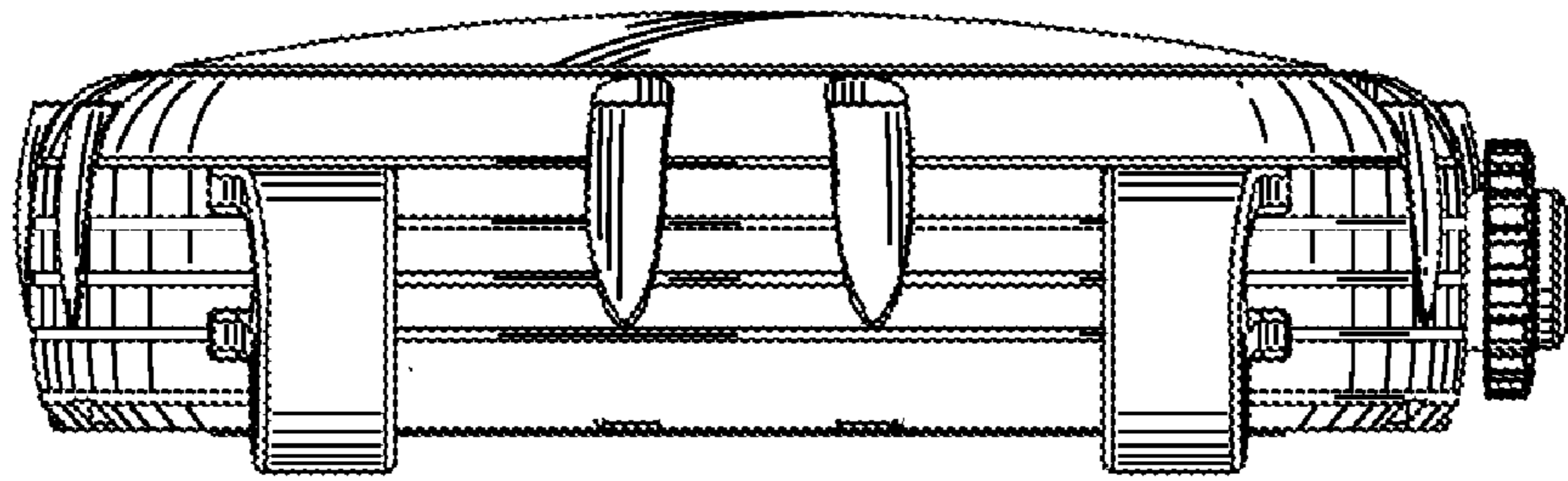


Fig. 6

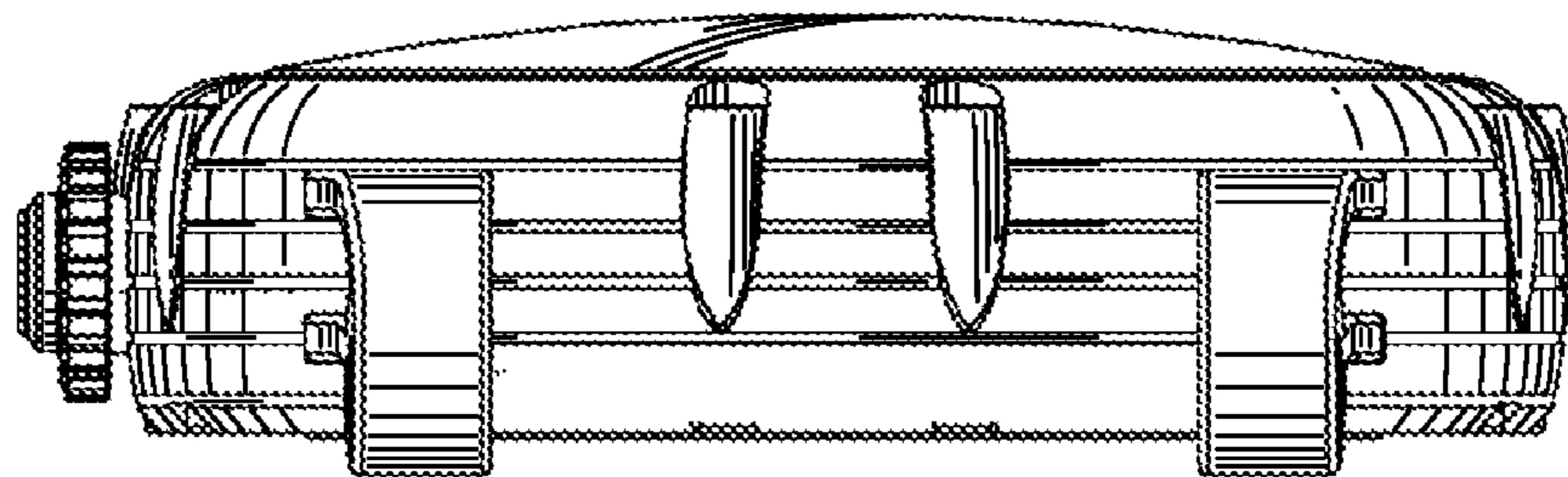


Fig. 7