



US00D573465S

(12) **United States Design Patent**
Kogure et al.

(10) **Patent No.:** **US D573,465 S**
(45) **Date of Patent:** **** Jul. 22, 2008**

(54) **CAP OF A CONTAINER**

(75) Inventors: **Akio Kogure**, Toyama (JP); **Yukio Fukushima**, Ibaraki (JP)

(73) Assignee: **Alteco Inc.**, Osaka (JP)

(**) Term: **14 Years**

(21) Appl. No.: **29/270,765**

(22) Filed: **Jan. 4, 2007**

(51) **LOC (8) Cl.** **09-07**

(52) **U.S. Cl.** **D9/452; D9/453**

(58) **Field of Classification Search** D9/662,
D9/661, 529, 504, 454, 453, 452, 448, 445,
D9/444, 443, 435, 726, 503, 689, 429, 728,
D9/682; 222/5, 148, 402.13; 220/915, 796,
220/675, 284, 200, 212; 215/281, 222; D7/728,
D7/608, 510; D11/152; D23/223
See application file for complete search history.

(56) **References Cited**

U.S. PATENT DOCUMENTS

D167,725 S *	9/1952	Soffer	D9/453
D189,557 S *	1/1961	Soffer	D9/453
D201,586 S *	7/1965	Erkers	D9/504
D277,736 S *	2/1985	Long	D9/443
D310,969 S *	10/1990	Butler	D9/453
D317,127 S *	5/1991	Zubek	D9/435
D327,430 S *	6/1992	Farricielli	D9/443
D358,329 S *	5/1995	Dickie	D9/443
D362,623 S *	9/1995	Ma	D9/453
D366,616 S *	1/1996	Knickerbocker	D9/445
D381,907 S *	8/1997	King	D9/443
D437,786 S *	2/2001	van Swieten et al.	D9/529

D443,512 S *	6/2001	Kishita et al.	D9/443
D461,502 S *	8/2002	Horie	D19/66
D491,469 S *	6/2004	Horie et al.	D9/529
D522,358 S *	6/2006	Peterson et al.	D9/453
D559,320 S *	1/2008	Nakabayashi et al.	D9/452

* cited by examiner

Primary Examiner—Gary D. Watson
Assistant Examiner—Susan Bennett Hattan
(74) *Attorney, Agent, or Firm*—Louis Woo

(57) **CLAIM**

The ornamental design for a cap of a container.

DESCRIPTION

FIG. 1 is a top plan view of the cap of a container;
 FIG. 2 is a front elevational view thereof;
 FIG. 3 is a rear elevational view thereof;
 FIG. 4 is a bottom plan view thereof;
 FIG. 5 is a right side view thereof;
 FIG. 6 is a left side view thereof;
 FIG. 7 is an elevational view viewed in the direction of an in FIG. 1;
 FIG. 8 is a cross-sectional view taken along the line 8—8 arrow 7 in FIG. 2;
 FIG. 9 is a cross-sectional view taken along the line 9—9 in FIG. 2;
 FIG. 10 is a cross-sectional view taken along the line 10—10 in FIG. 1; and,
 FIG. 11 is a cross-sectional view taken along the line 11—11 in FIG. 1.

1 Claim, 11 Drawing Sheets

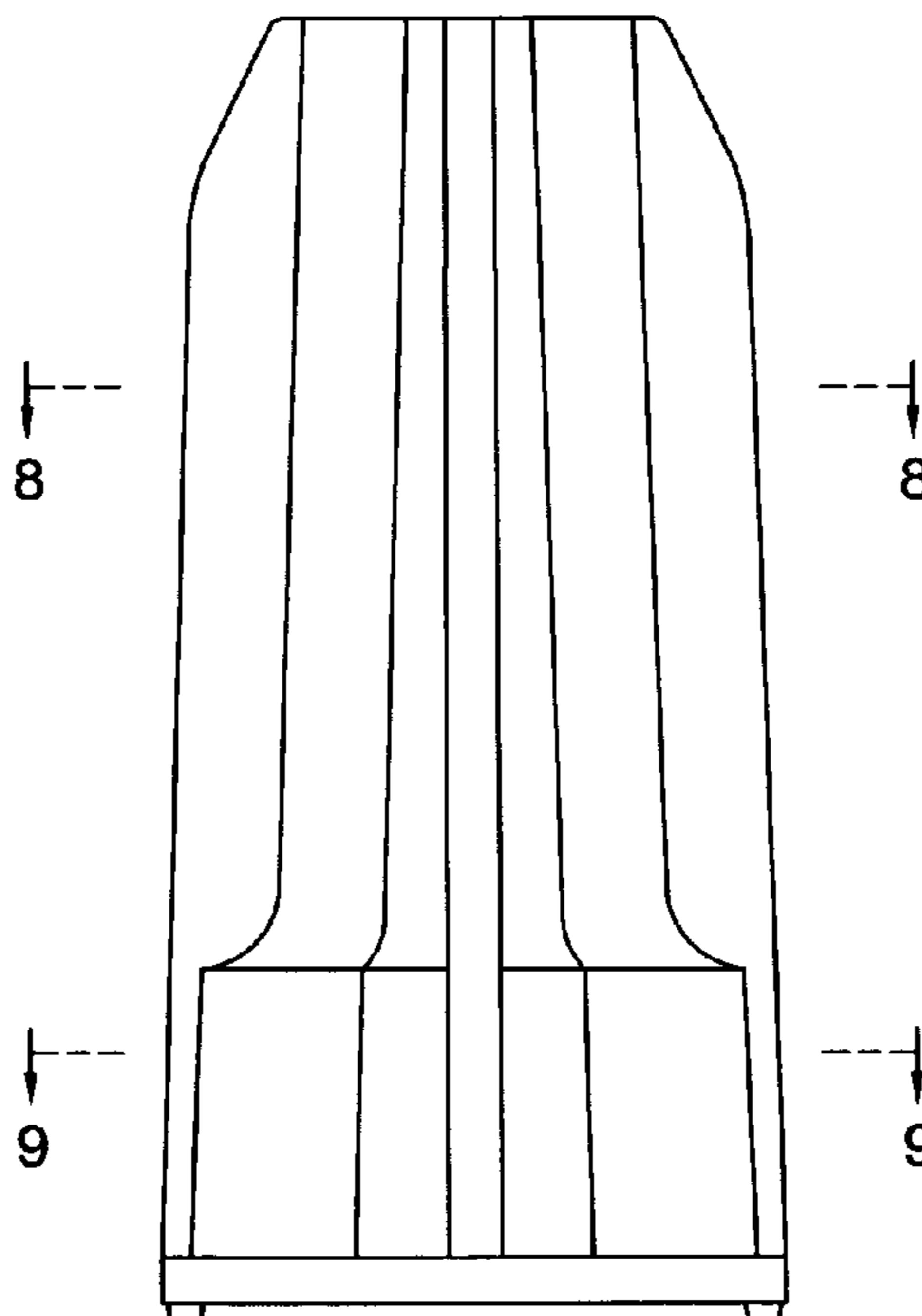


FIG. 1

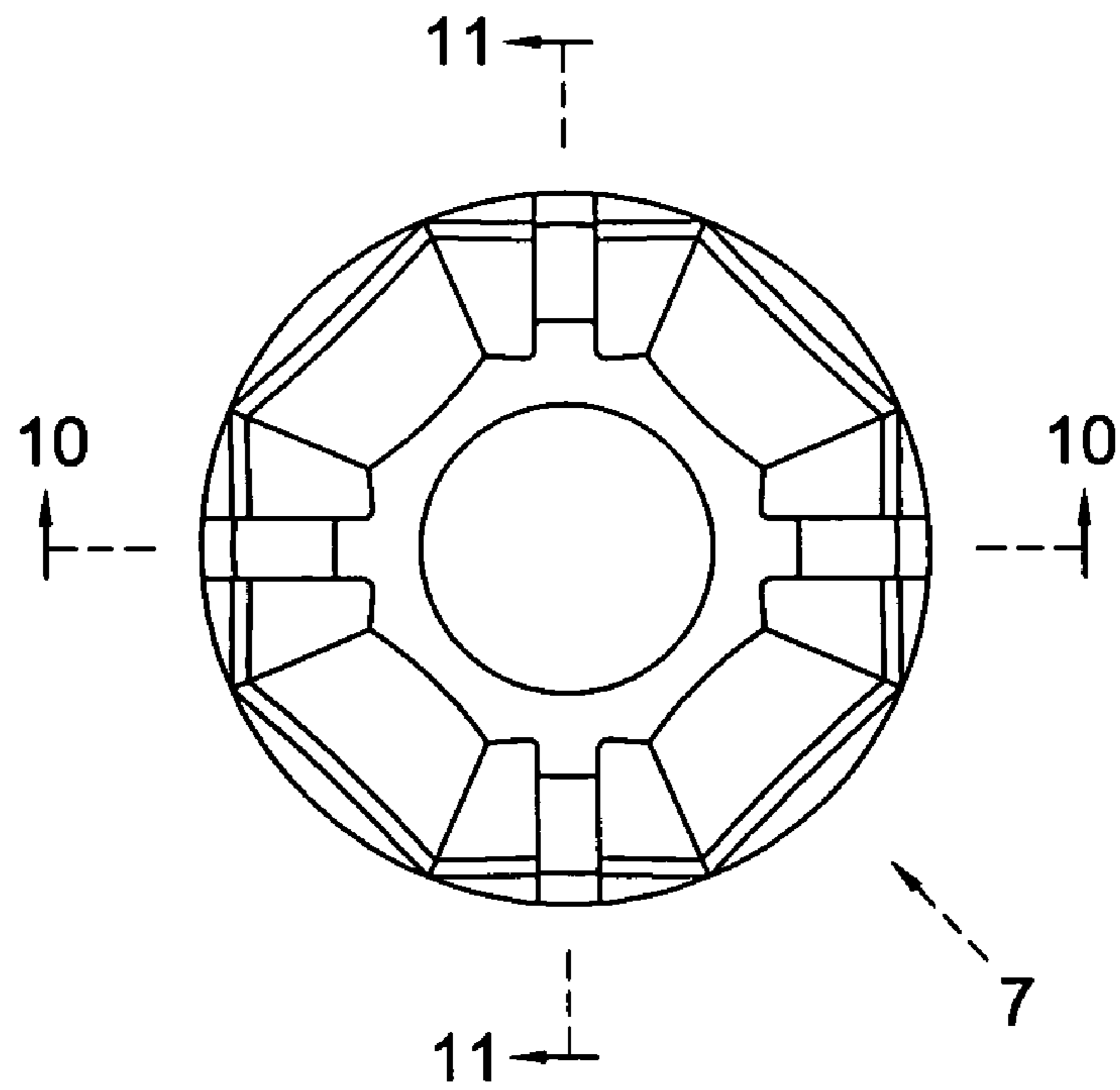


FIG. 2

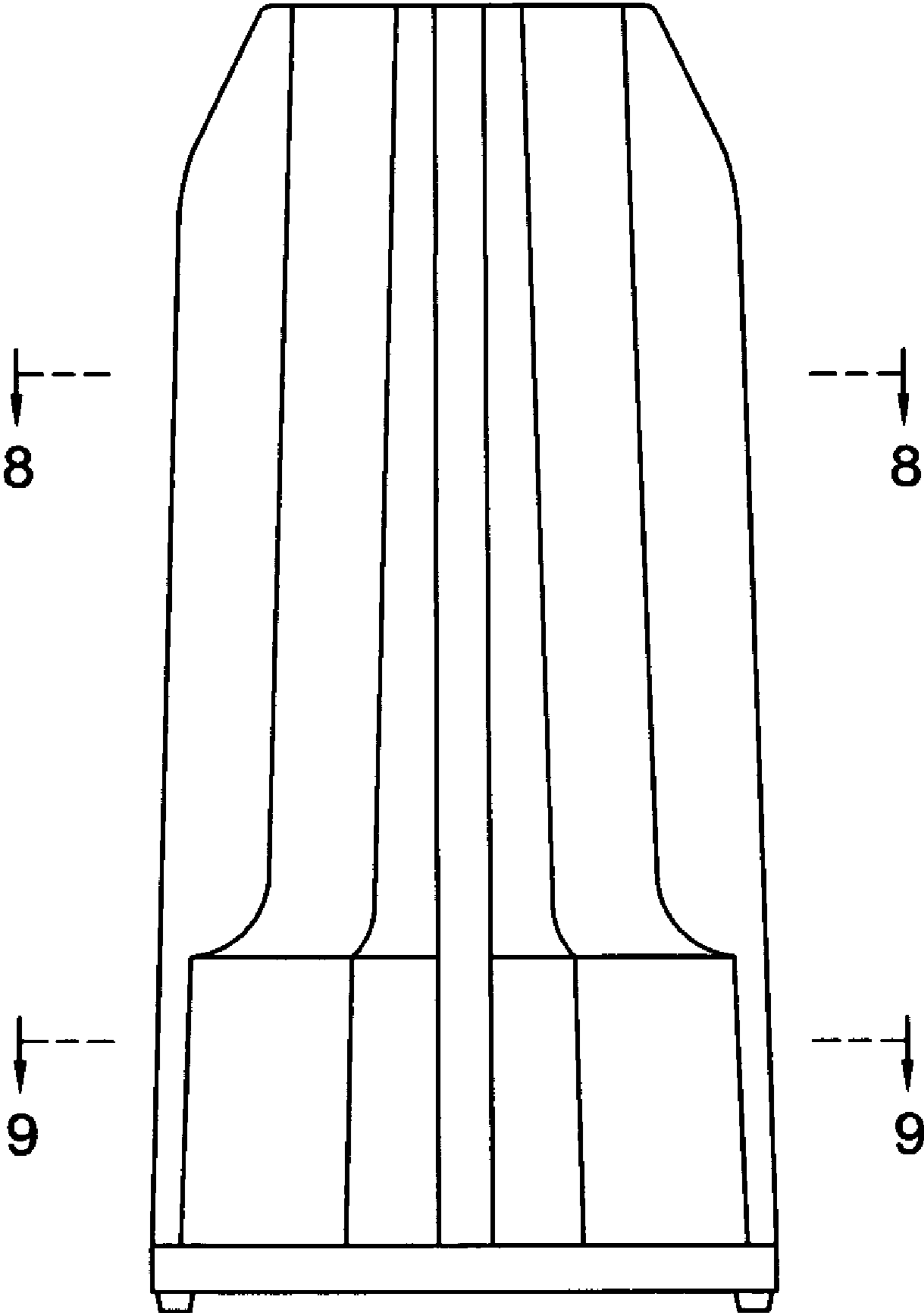


FIG.3

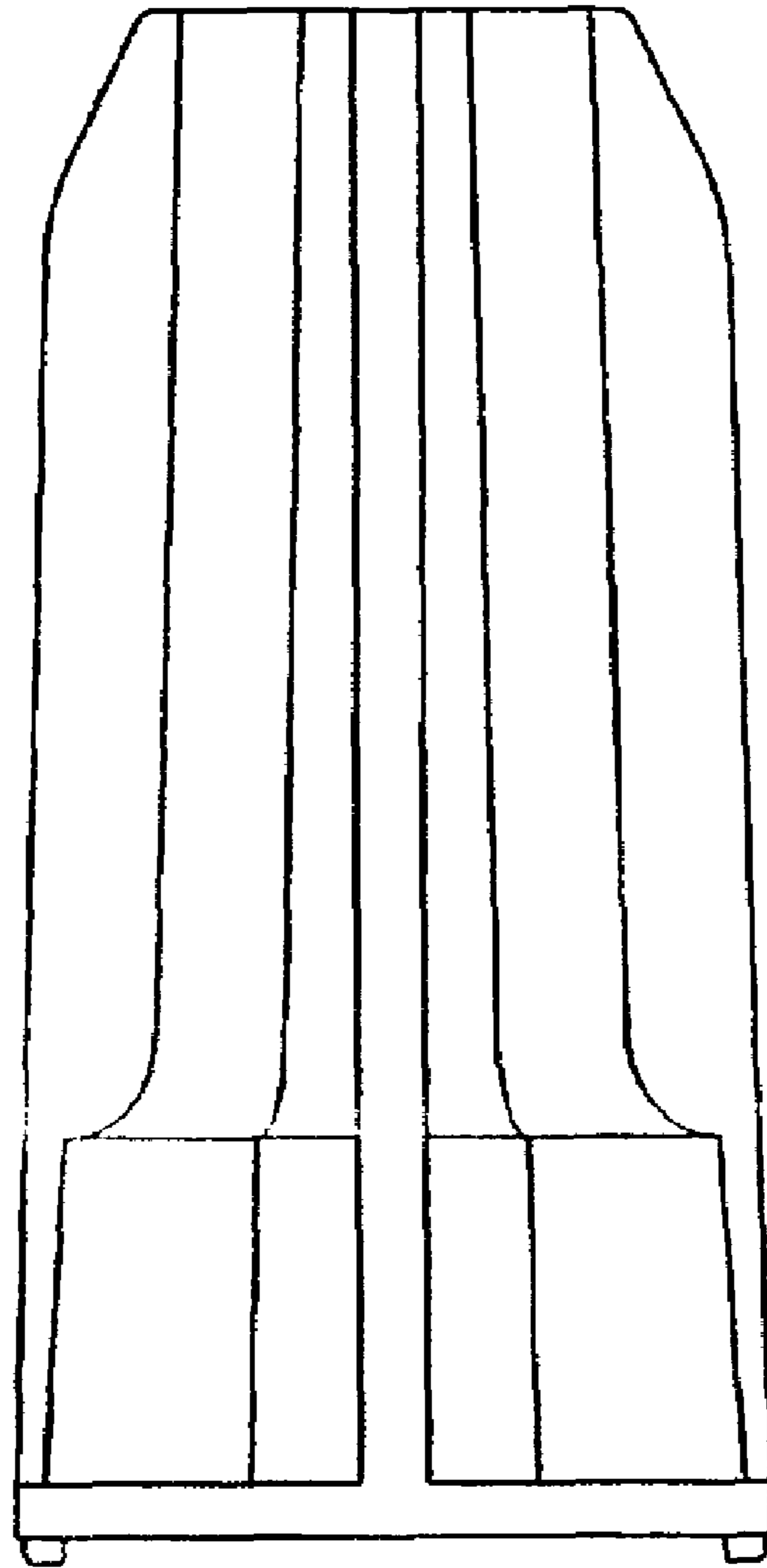


FIG. 4

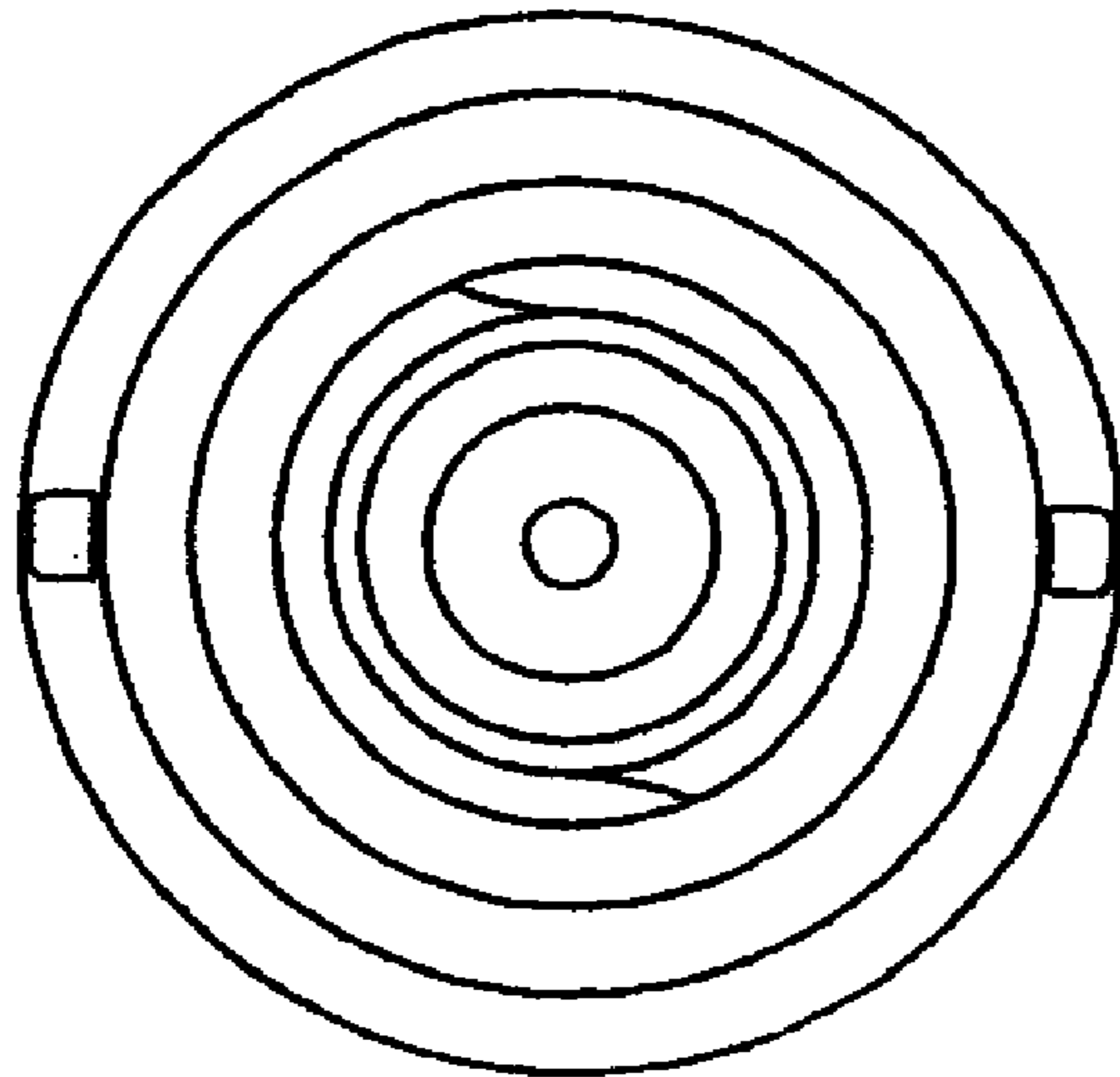


FIG. 5

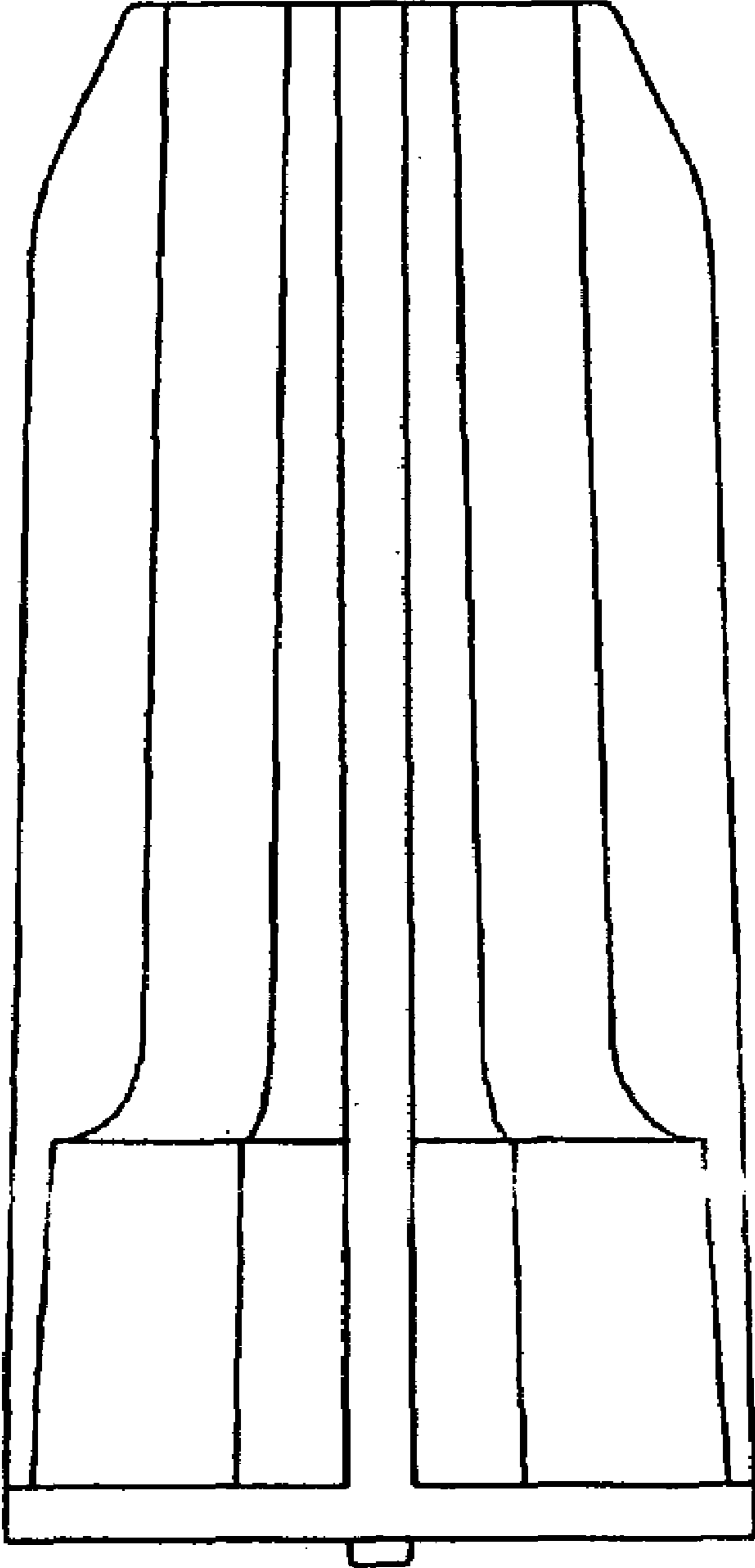


FIG. 6

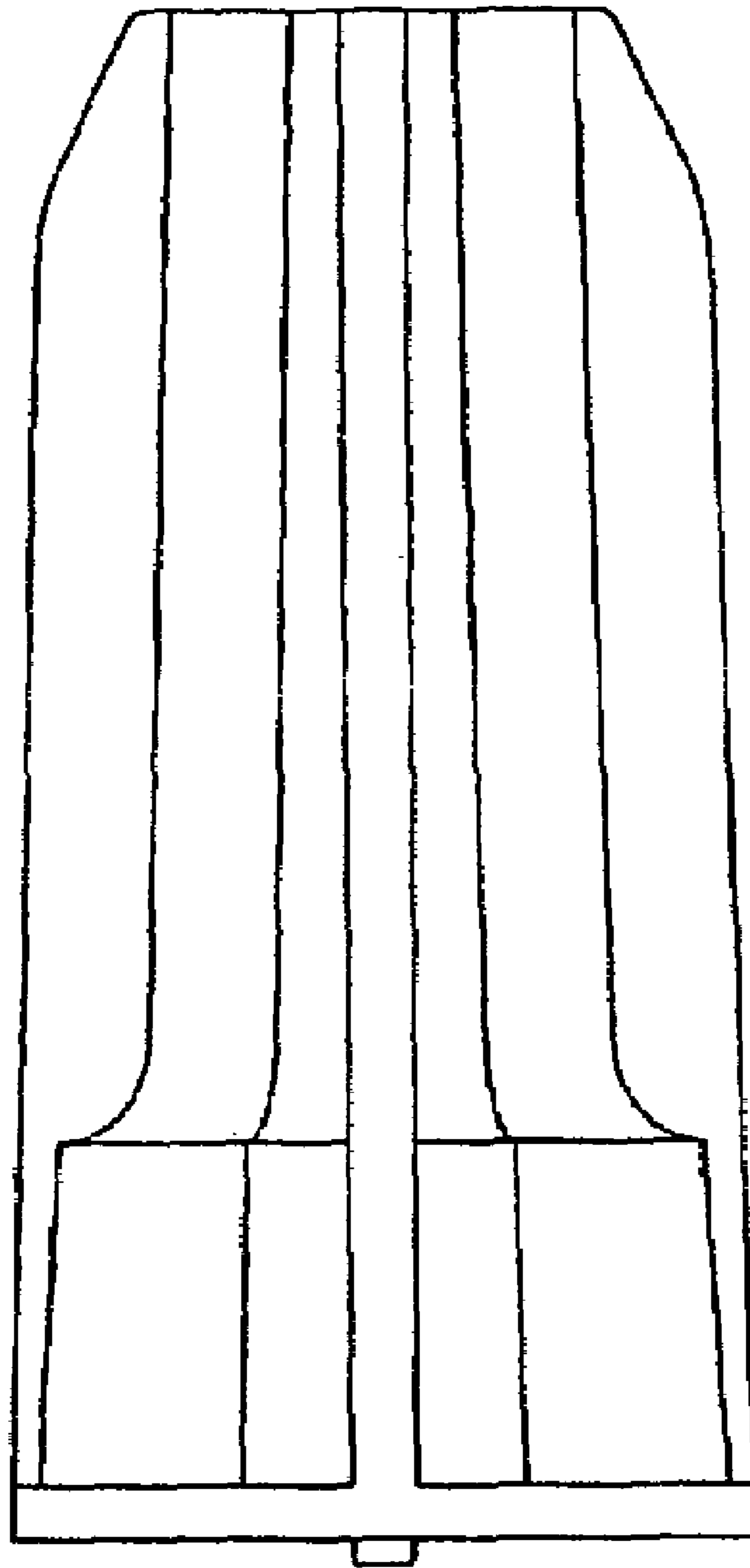


FIG. 7

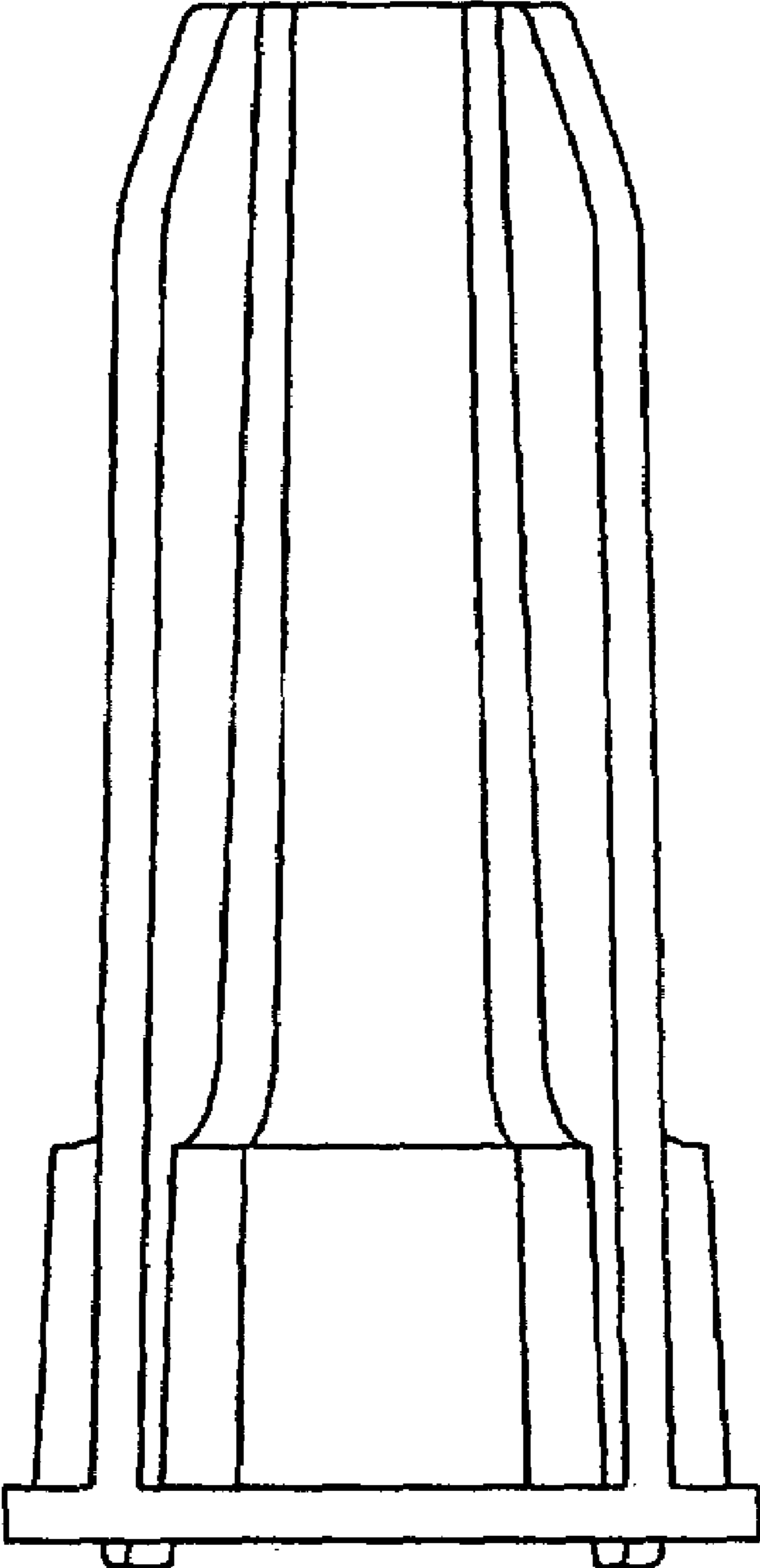


FIG.8

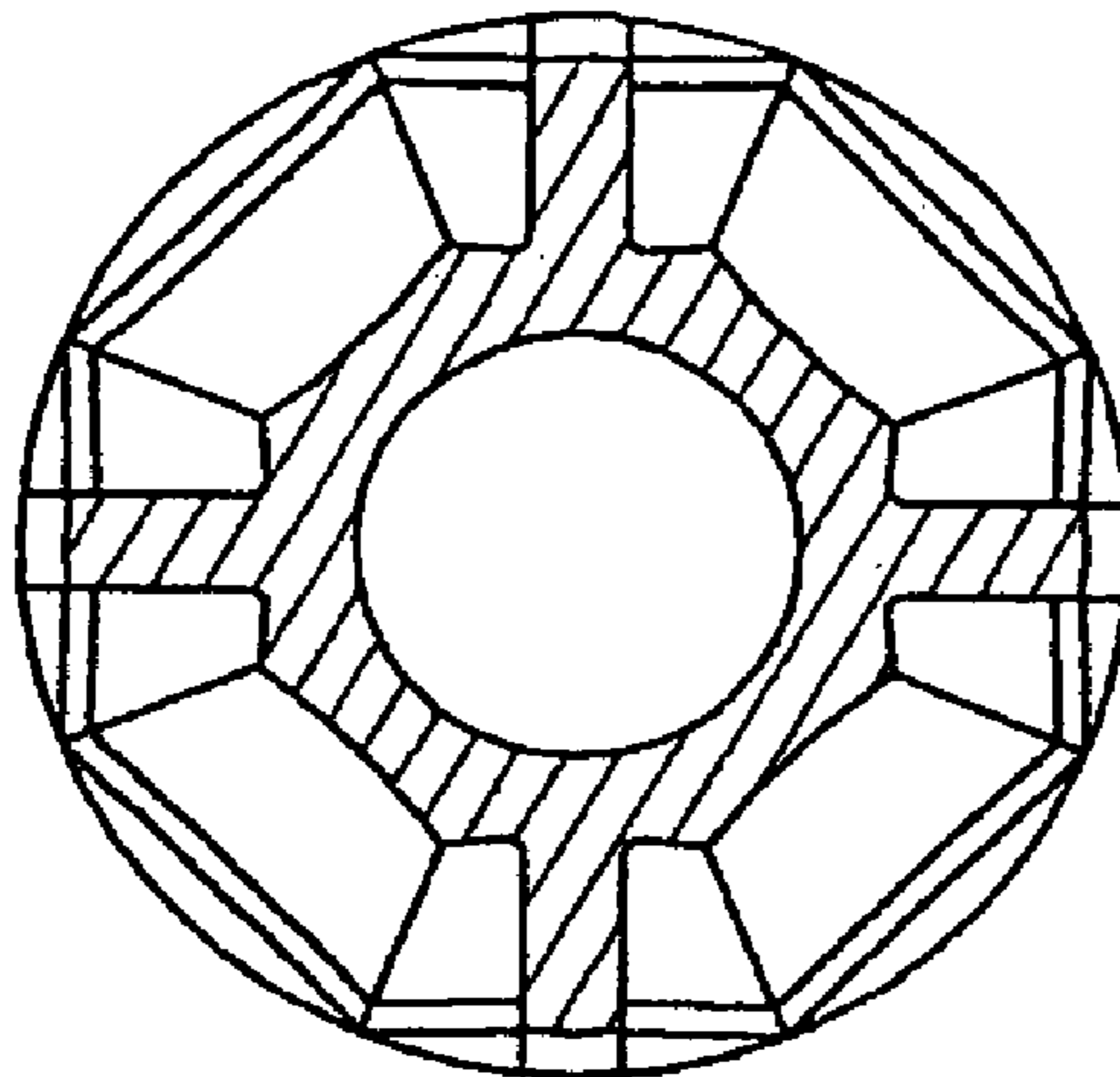


FIG. 9

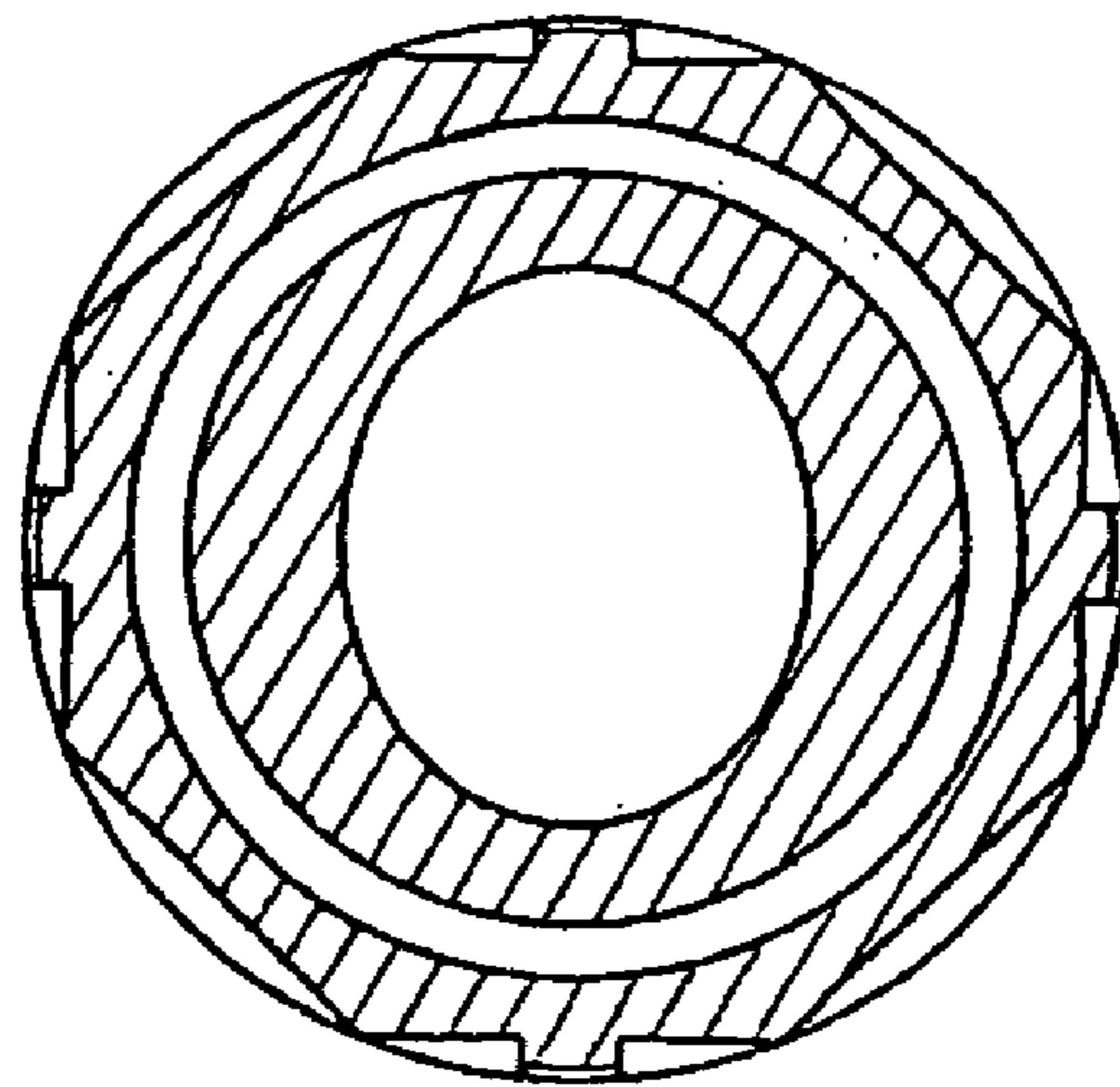


FIG. 10

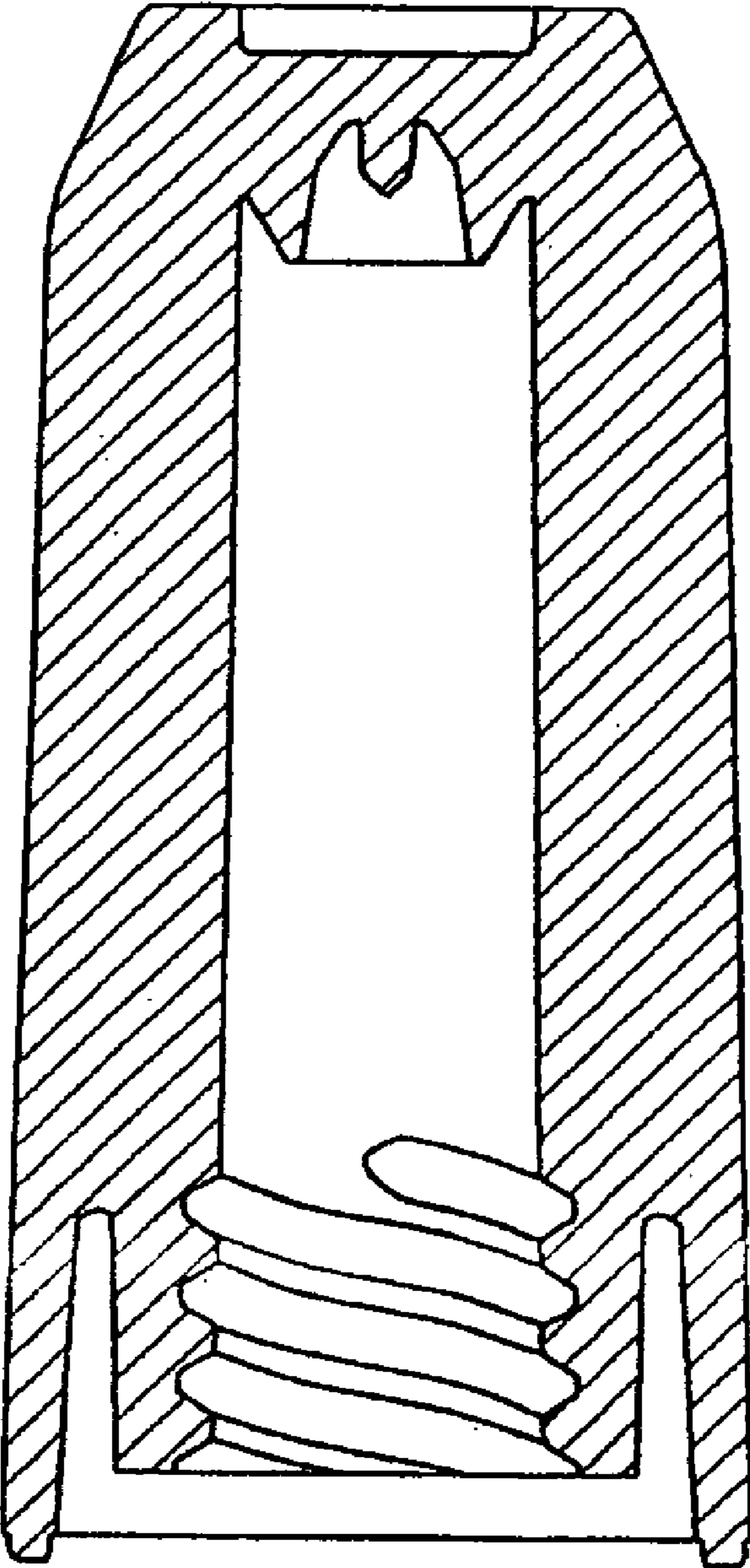


FIG. 11

