

US00D573464S

(12) **United States Design Patent**  
**Kogure et al.**

(10) **Patent No.:** **US D573,464 S**  
(45) **Date of Patent:** **\*\* Jul. 22, 2008**

(54) **CAP OF A CONTAINER**

(75) Inventors: **Akio Kogure**, Toyama (JP); **Yukio Fukushima**, Ibaraki (JP)

(73) Assignee: **Alteco Inc.**, Osaka (JP)

(\*\*) Term: **14 Years**

(21) Appl. No.: **29/270,764**

(22) Filed: **Jan. 4, 2007**

(51) **LOC (8) Cl.** ..... **09-07**

(52) **U.S. Cl.** ..... **D9/452**

(58) **Field of Classification Search** ..... D9/662,  
D9/661, 529, 504, 454, 453, 452, 448, 445,  
D9/444, 443, 435, 726, 503, 689, 429, 728,  
D9/682; 222/5, 148, 402.13; 220/915, 796,  
220/675, 284, 200, 212; 215/281, 222; D7/728,  
D7/608, 510; D11/152; D23/223  
See application file for complete search history.

(56) **References Cited**

**U.S. PATENT DOCUMENTS**

|              |         |               |       |        |
|--------------|---------|---------------|-------|--------|
| D167,725 S * | 9/1952  | Soffer        | ..... | D9/453 |
| D189,557 S * | 1/1961  | Soffer        | ..... | D9/453 |
| D201,586 S * | 7/1965  | Erkers        | ..... | D9/504 |
| D277,736 S * | 2/1985  | Long          | ..... | D9/443 |
| D310,969 S * | 10/1990 | Butler        | ..... | D9/453 |
| D317,127 S * | 5/1991  | Zubek         | ..... | D9/435 |
| D327,430 S * | 6/1992  | Farricielli   | ..... | D9/443 |
| D358,329 S * | 5/1995  | Dickie        | ..... | D9/443 |
| D362,623 S * | 9/1995  | Ma            | ..... | D9/453 |
| D366,616 S * | 1/1996  | Knickerbocker | ..... | D9/445 |
| D381,907 S * | 8/1997  | King          | ..... | D9/443 |

|              |        |                    |       |        |
|--------------|--------|--------------------|-------|--------|
| D437,786 S * | 2/2001 | van Swieten et al. | ..... | D9/529 |
| D443,512 S * | 6/2001 | Kishita et al.     | ..... | D9/443 |
| D461,502 S * | 8/2002 | Horie              | ..... | D19/66 |
| D491,469 S * | 6/2004 | Horie et al.       | ..... | D9/529 |
| D522,358 S * | 6/2006 | Peterson et al.    | ..... | D9/453 |
| D559,320 S * | 1/2008 | Nakabayashi et al. | ..... | D9/452 |

\* cited by examiner

*Primary Examiner*—Gary D. Watson  
*Assistant Examiner*—Susan Bennett Hattan  
(74) *Attorney, Agent, or Firm*—Louis Woo

(57) **CLAIM**

The ornamental design for a cap of a container.

**DESCRIPTION**

FIG. 1 is a top plan view of the cap of a container;  
FIG. 2 is a front elevational view thereof;  
FIG. 3 is a rear elevational view thereof;  
FIG. 4 is a bottom plan view thereof;  
FIG. 5 is a right side view thereof;  
FIG. 6 is a left side view thereof;  
FIG. 7 is a cross-sectional view taken along the line 7—7 in FIG. 2;  
FIG. 8 is a cross-sectional view taken along the line 8—8 in FIG. 2;  
FIG. 9 is a cross-sectional view taken along the line 9—9 in FIG. 1; and,  
FIG. 10 is a cross-sectional view taken along the line 10—10 in FIG. 1.

**1 Claim, 10 Drawing Sheets**

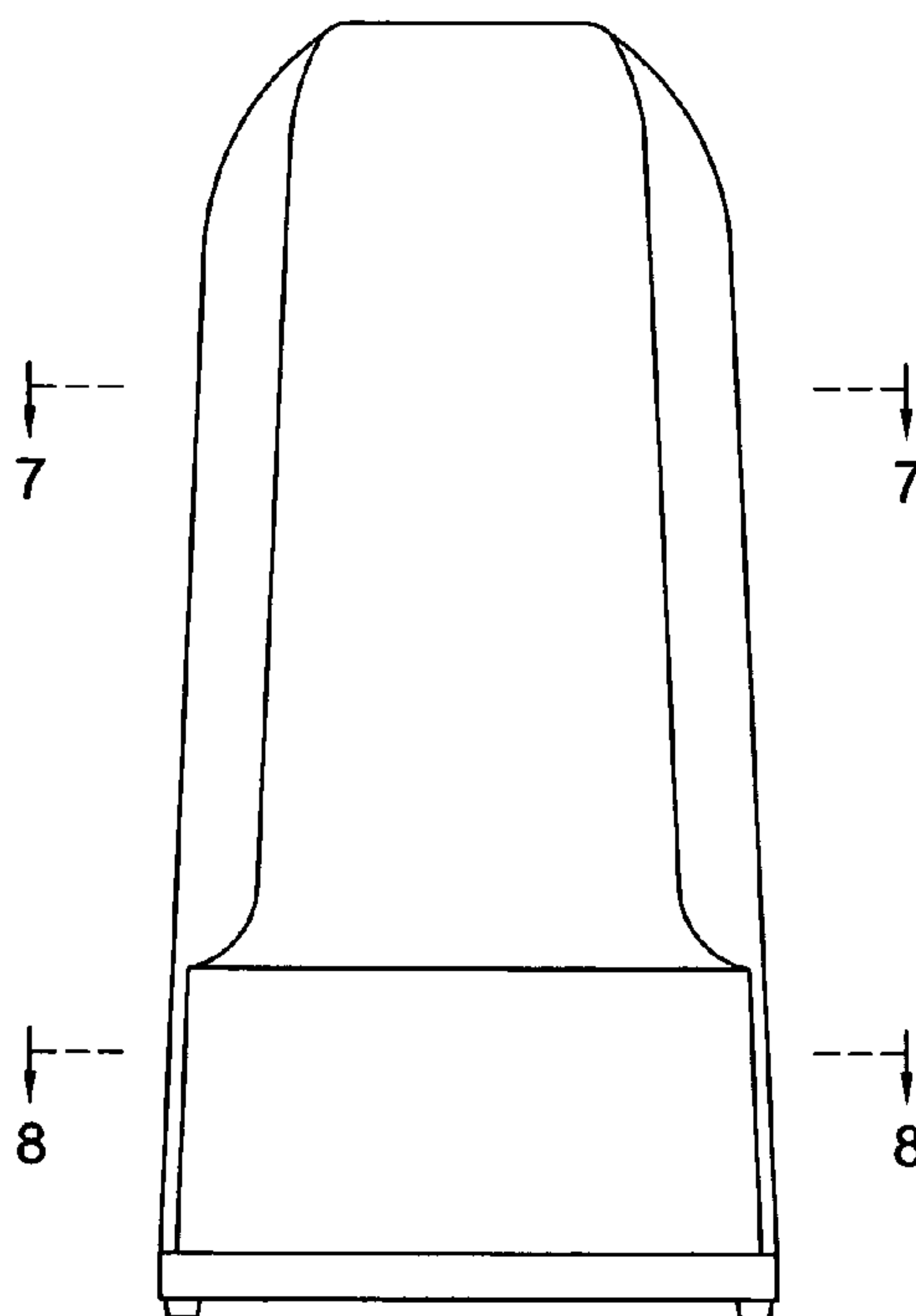


FIG. 1

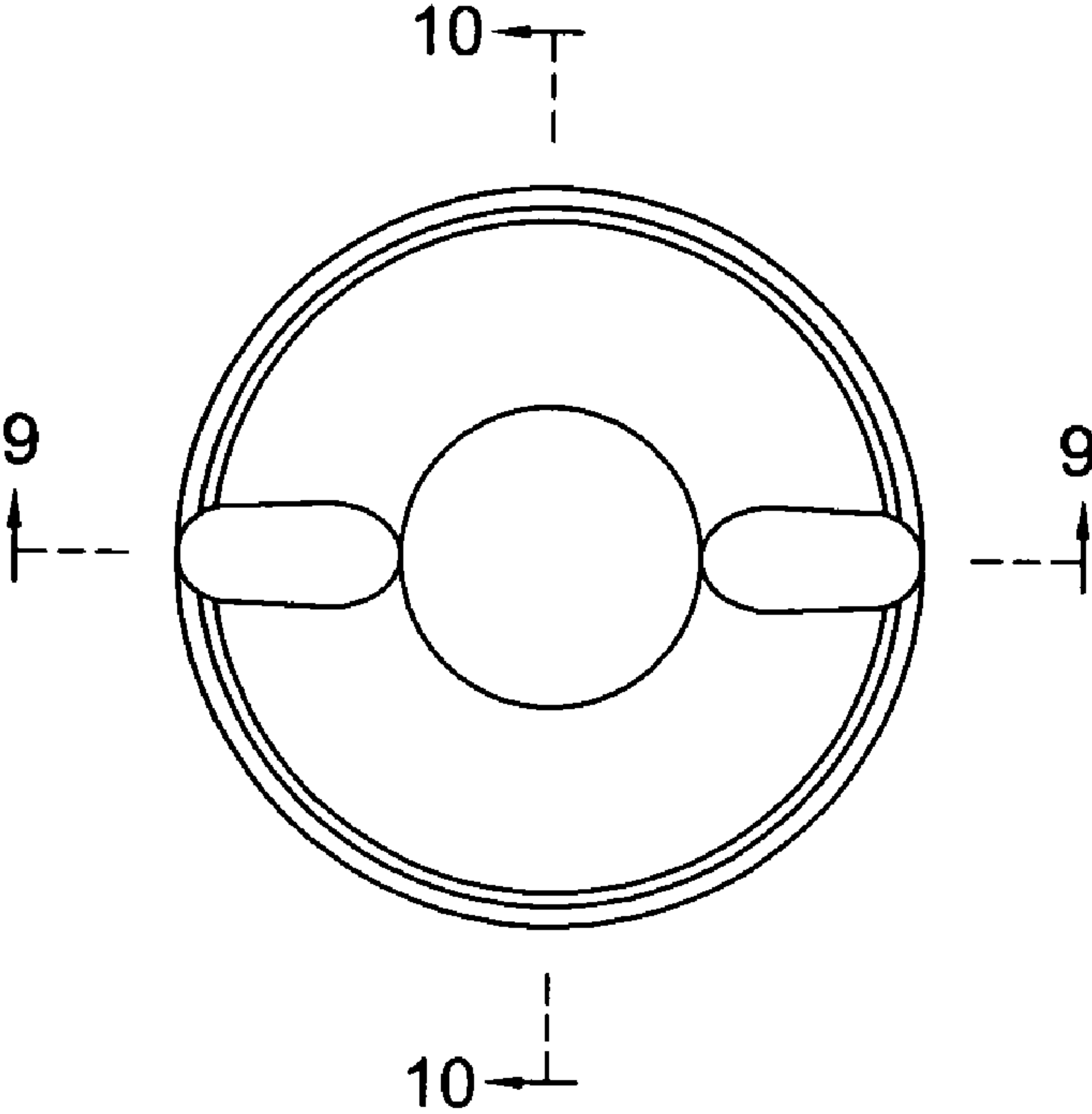


FIG. 2

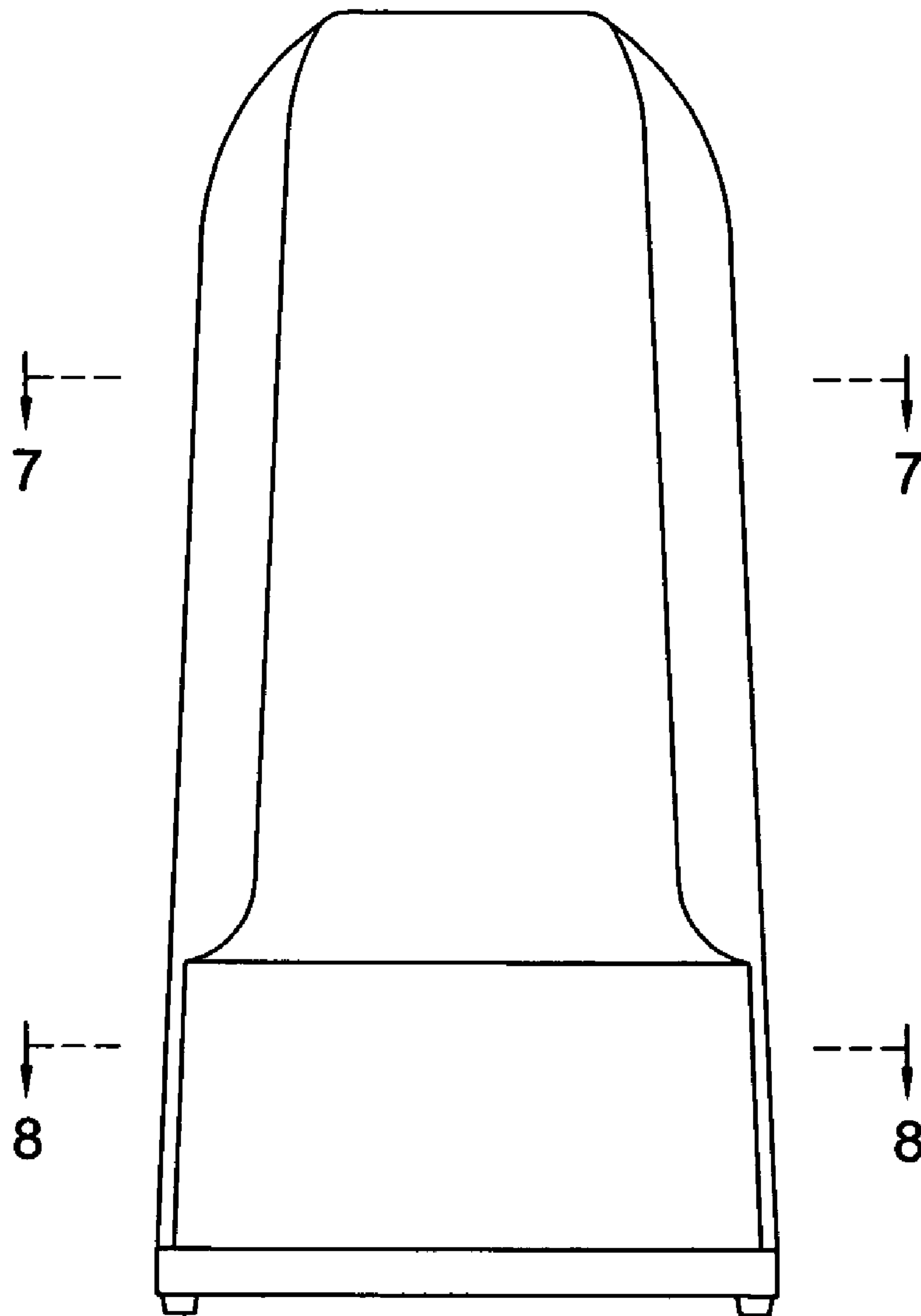


FIG. 3

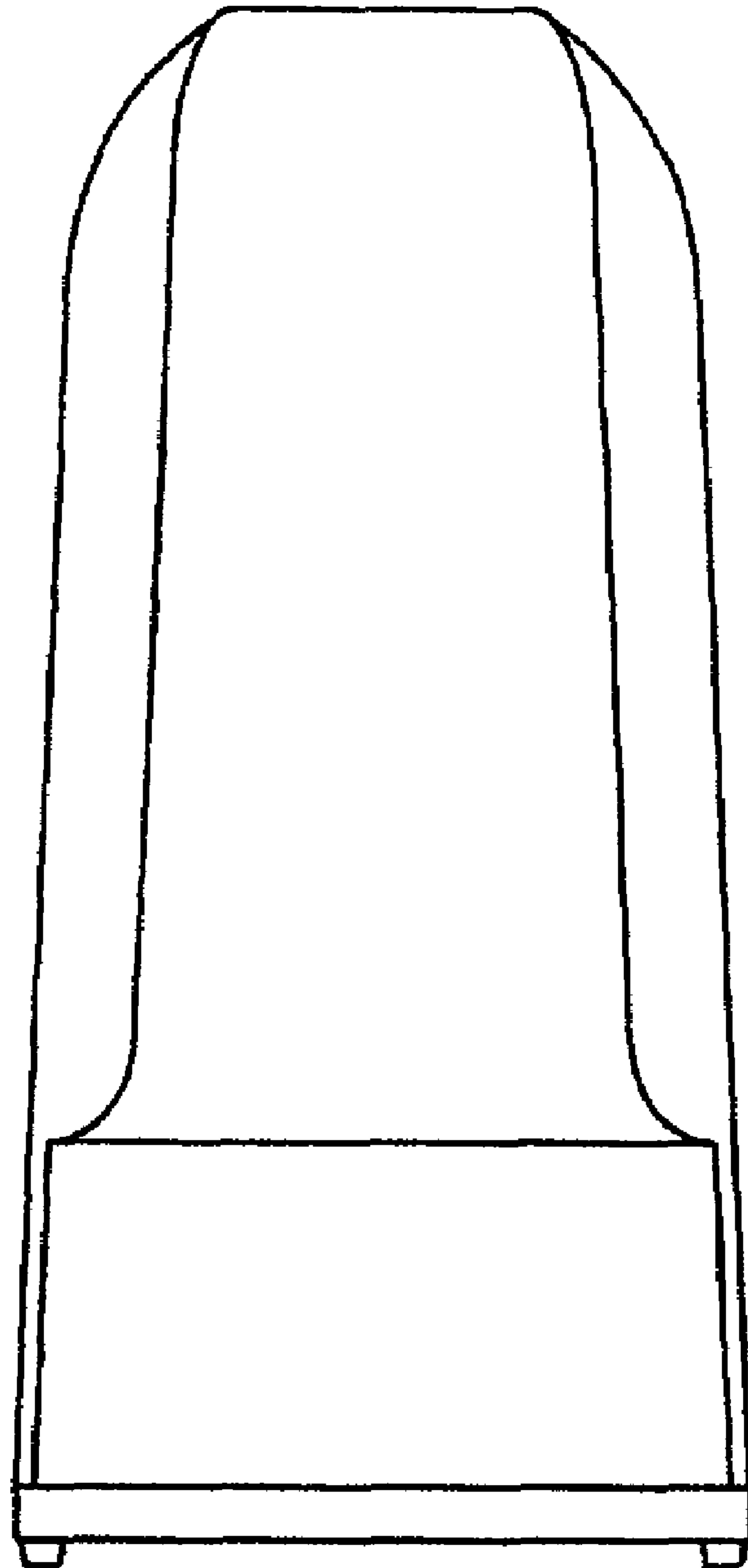
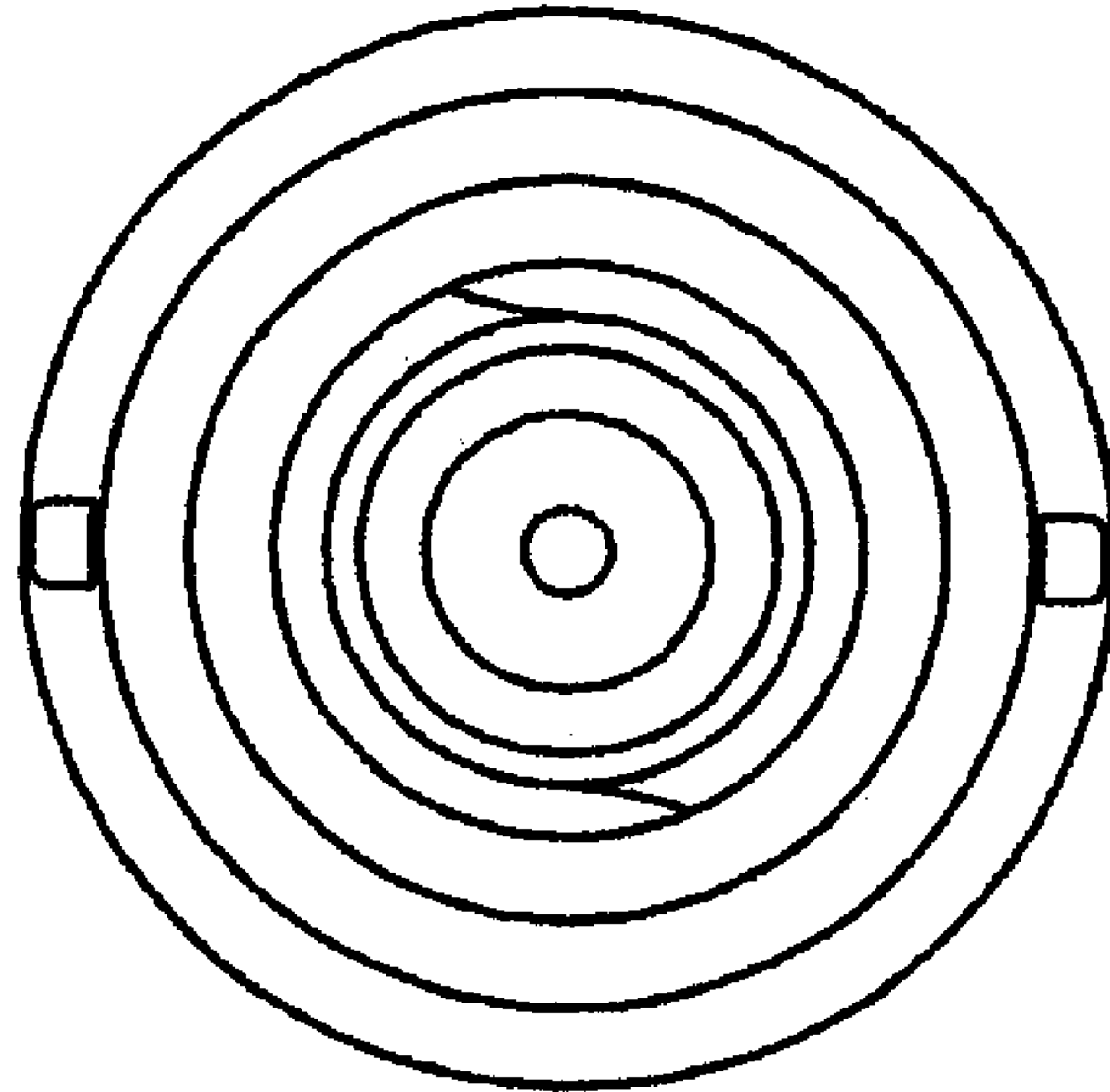


FIG.4



# FIG. 5

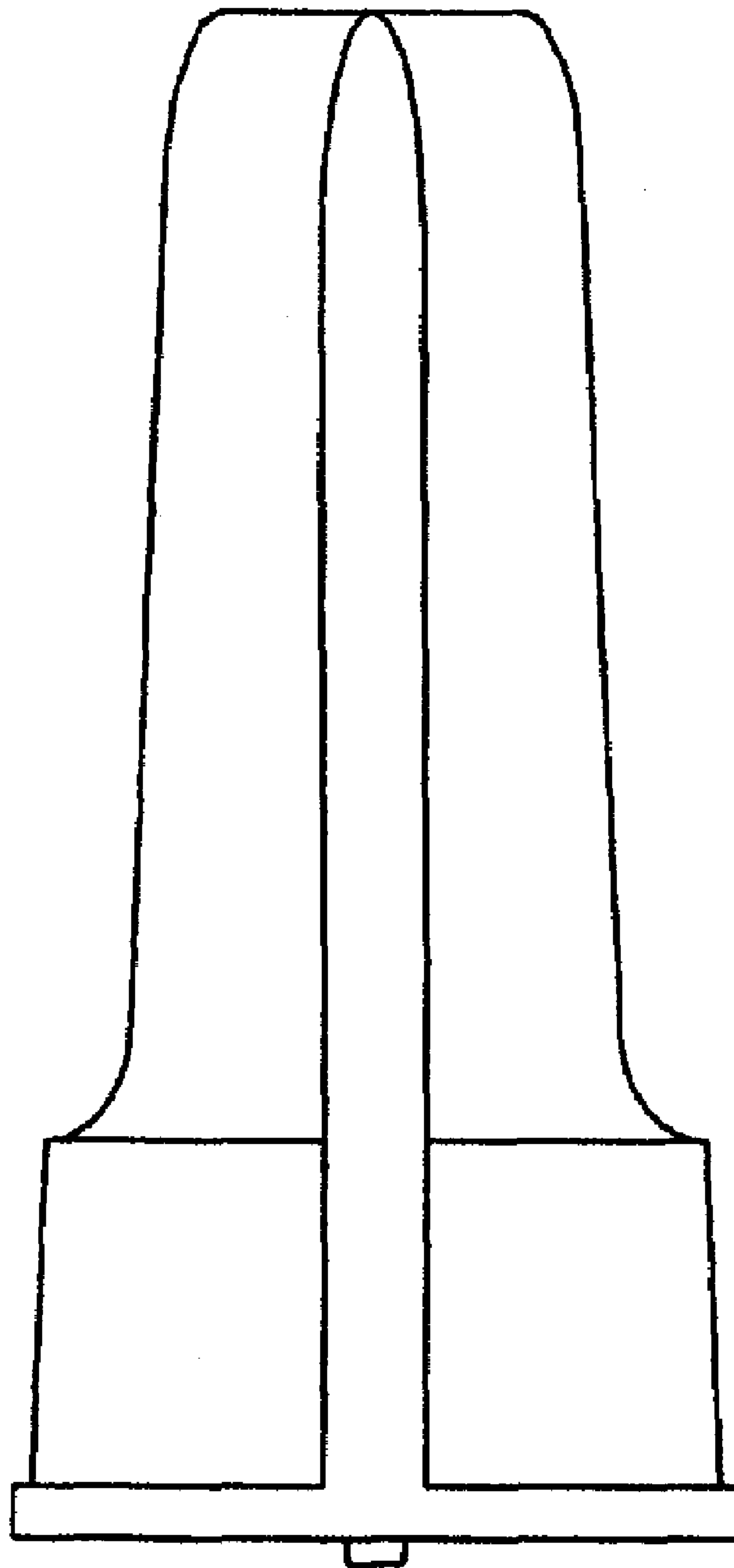


FIG. 6

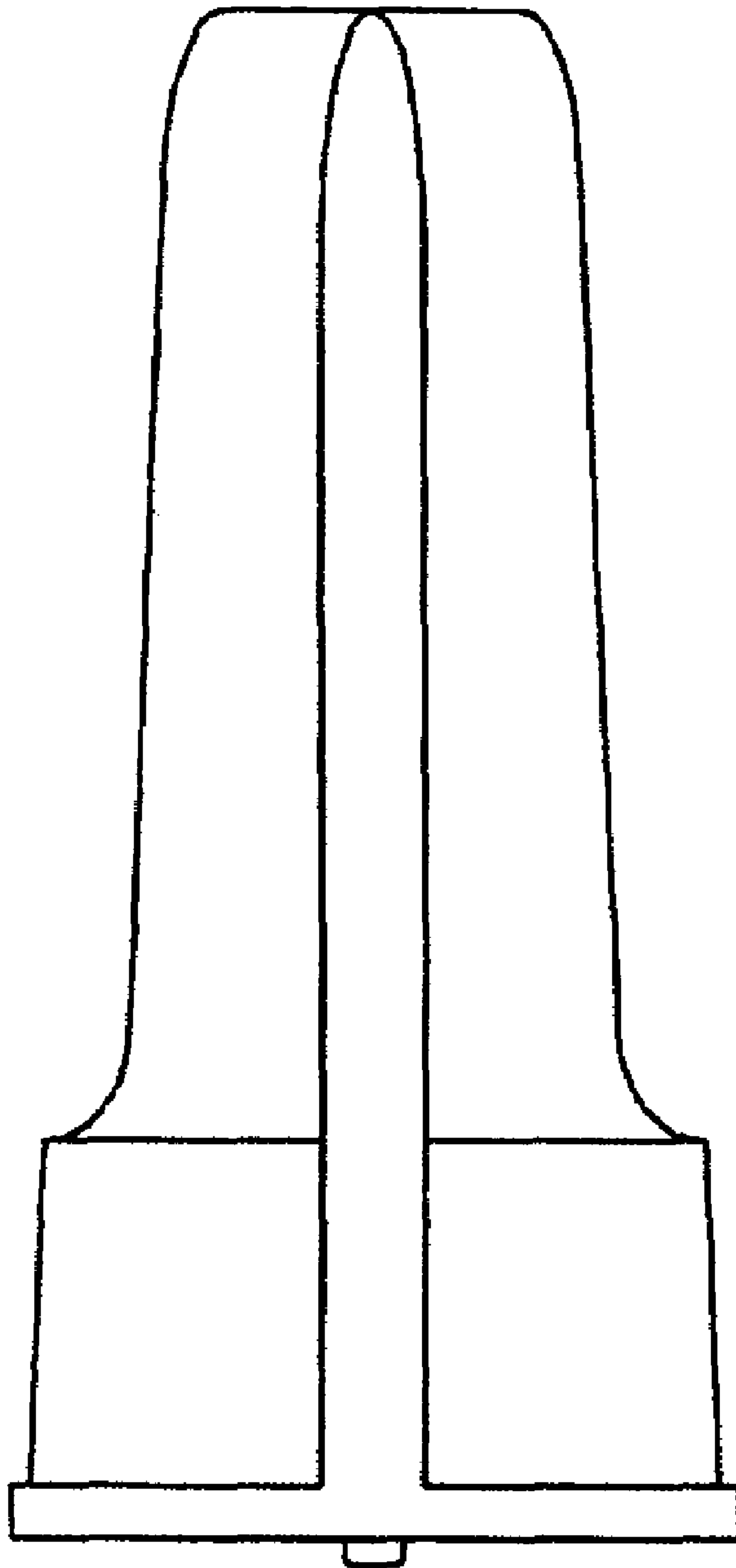


FIG. 7

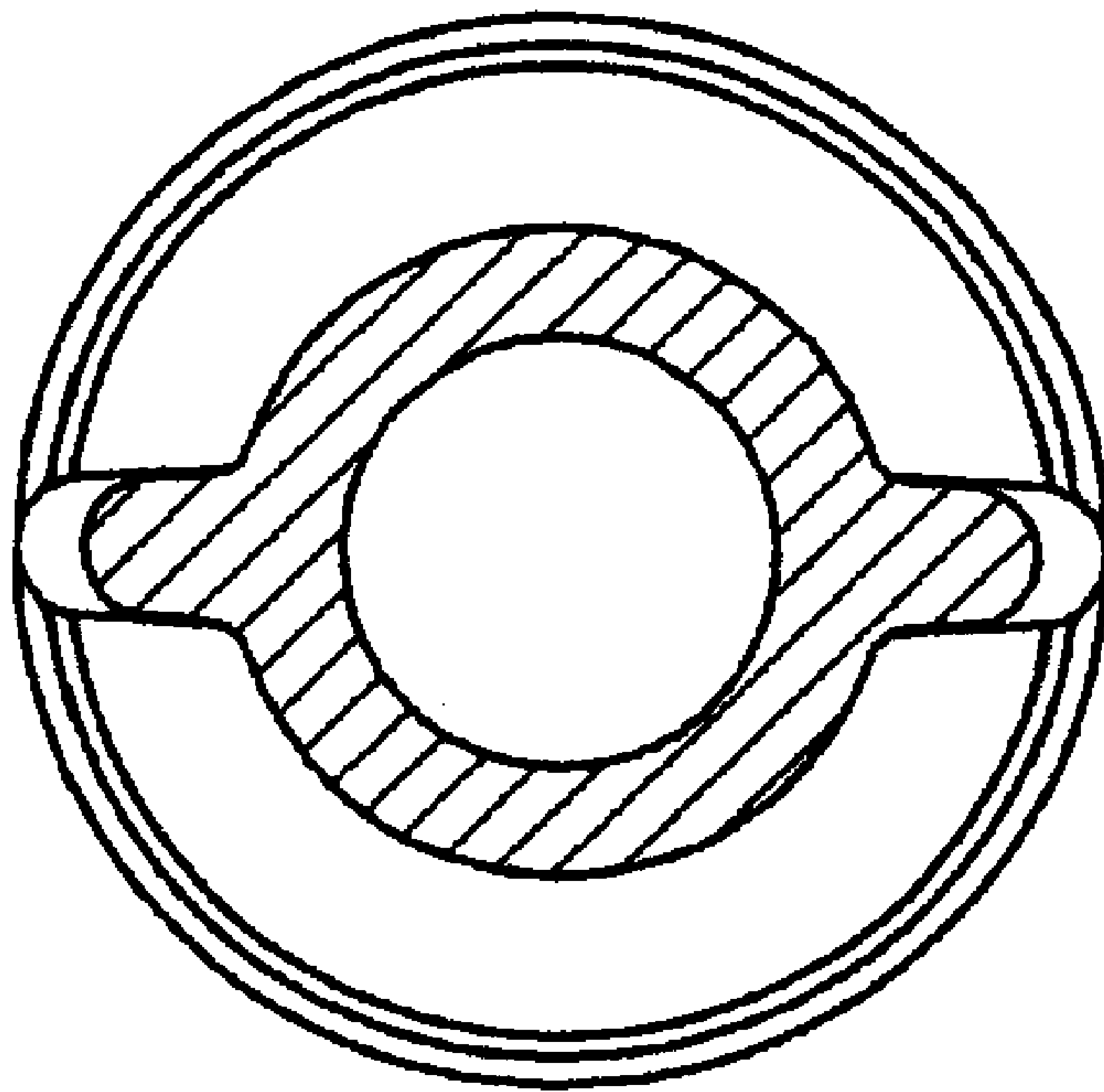




FIG. 8

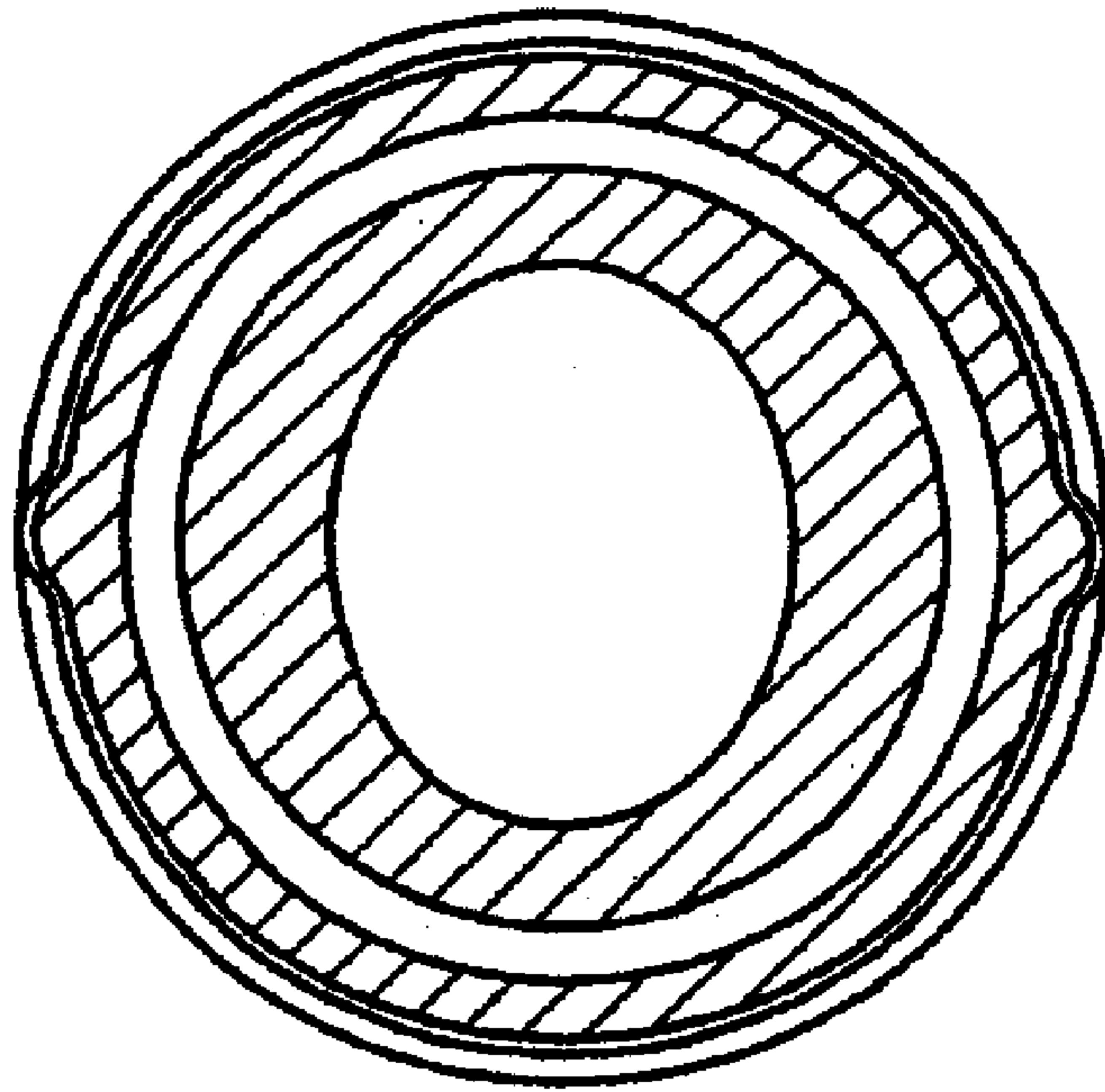
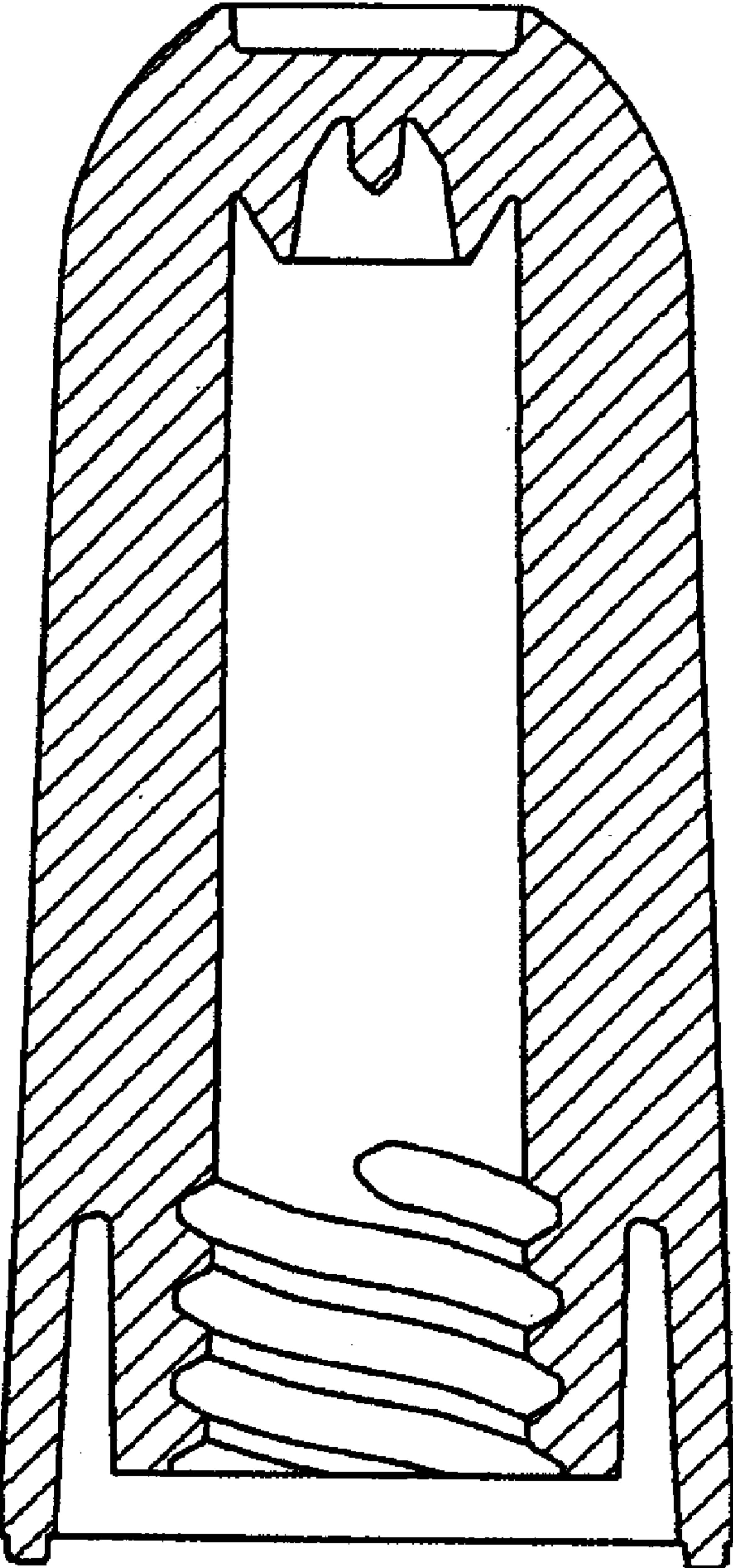


FIG. 9



# FIG. 10

