



US00D573463S

(12) **United States Design Patent**
Ohshima

(10) **Patent No.:** **US D573,463 S**
(45) **Date of Patent:** **** Jul. 22, 2008**

(54) **PUMP HEAD FOR CONTAINER**

(75) Inventor: **Yasuo Ohshima**, Tokyo (JP)

(73) Assignee: **Mitani Valve Co., Ltd**, Tokyo (JP)

(**) Term: **14 Years**

(21) Appl. No.: **29/297,370**

(22) Filed: **Nov. 9, 2007**

(30) **Foreign Application Priority Data**

May 11, 2007 (JP) 2007-012510

(51) **LOC (8) Cl.** **09-07**

(52) **U.S. Cl.** **D9/448**

(58) **Field of Classification Search** D9/682,
D9/448, 447, 435, 434; D6/542; D23/227,
D23/226, 213; 222/255, 251, 383.3, 383.1,
222/382

See application file for complete search history.

(56) **References Cited**

U.S. PATENT DOCUMENTS

D242,351 S	*	11/1976	Tada	D9/448
D243,333 S	*	2/1977	Tada	D23/226
D525,123 S	*	7/2006	Walters et al.	D9/448
D532,299 S	*	11/2006	Kuo	D9/448
D550,079 S	*	9/2007	Yang	D9/448
D551,549 S	*	9/2007	Maas et al.	D9/448
D553,497 S	*	10/2007	Maas et al.	D9/448

* cited by examiner

Primary Examiner—Gary D. Watson

Assistant Examiner—Susan Bennett Hatton

(74) *Attorney, Agent, or Firm*—Lucas & Mercanti, LLP

(57) **CLAIM**

I claim the ornamental design for a pump head for container, substantially as shown and described.

DESCRIPTION

FIG. 1 is a front elevational view of a pump head for container showing my new design;

FIG. 2 is a top plan view thereof;

FIG. 3 is a left side elevational view thereof;

FIG. 4 is a right side elevational view thereof;

FIG. 5 is a bottom plan view thereof;

FIG. 6 is a back elevational view thereof;

FIG. 7 is an end section view taken along line 7—7 of the top plan view as in FIG. 2;

FIG. 8 is an end section view taken along line 8—8 of the top plan view as in FIG. 2;

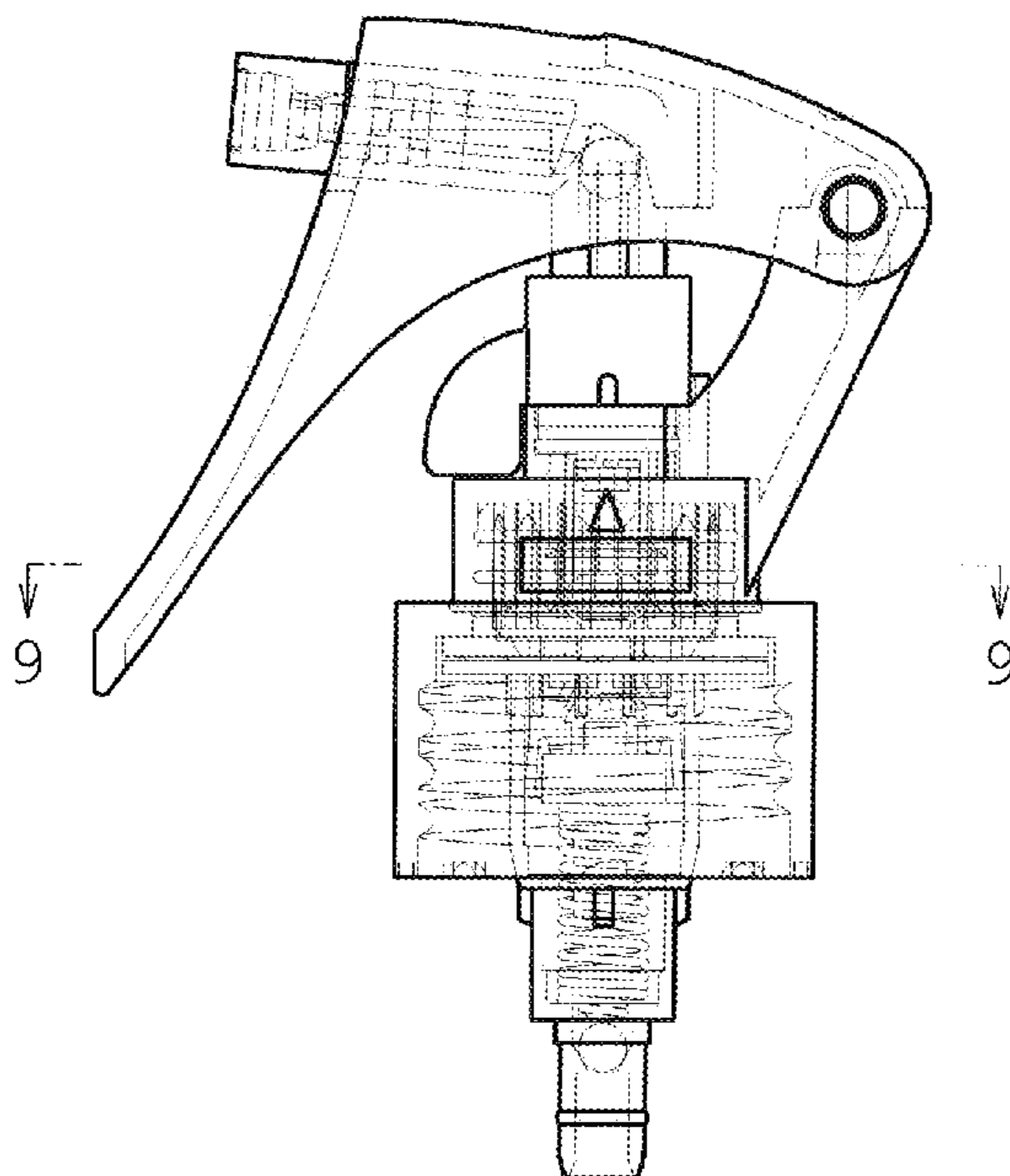
FIG. 9 is an end section view taken along line 9—9 of the front elevational view as in FIG. 1; and,

FIG. 10 is a front elevational view which shows the non-transparent parts with hatching.

The design is transparent except for the parts indicated in FIG. 10 by hatching.

All fine lines, except hatching, express the shape of inner parts which are visible through the transparent surface.

1 Claim, 7 Drawing Sheets



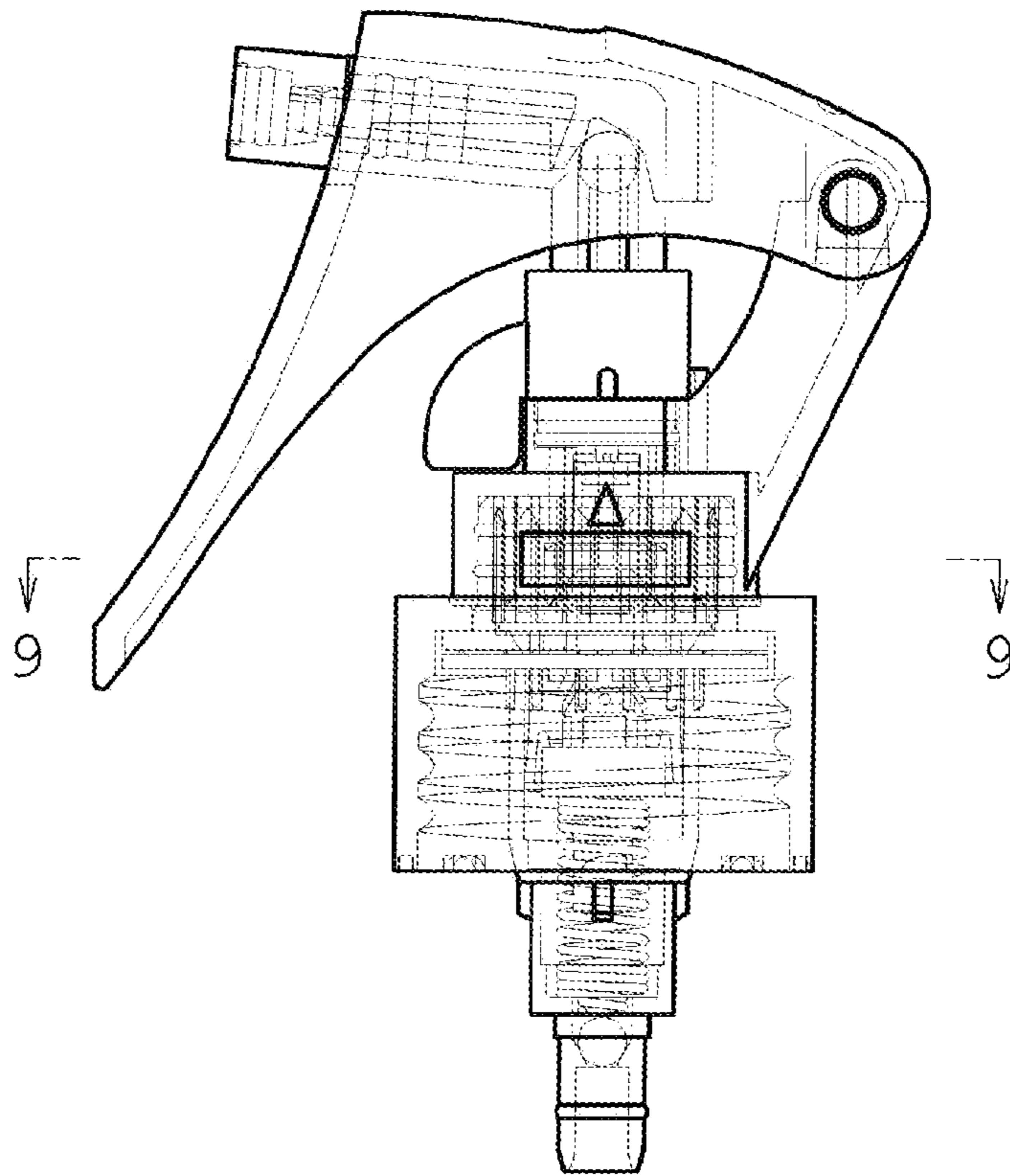


Figure 1

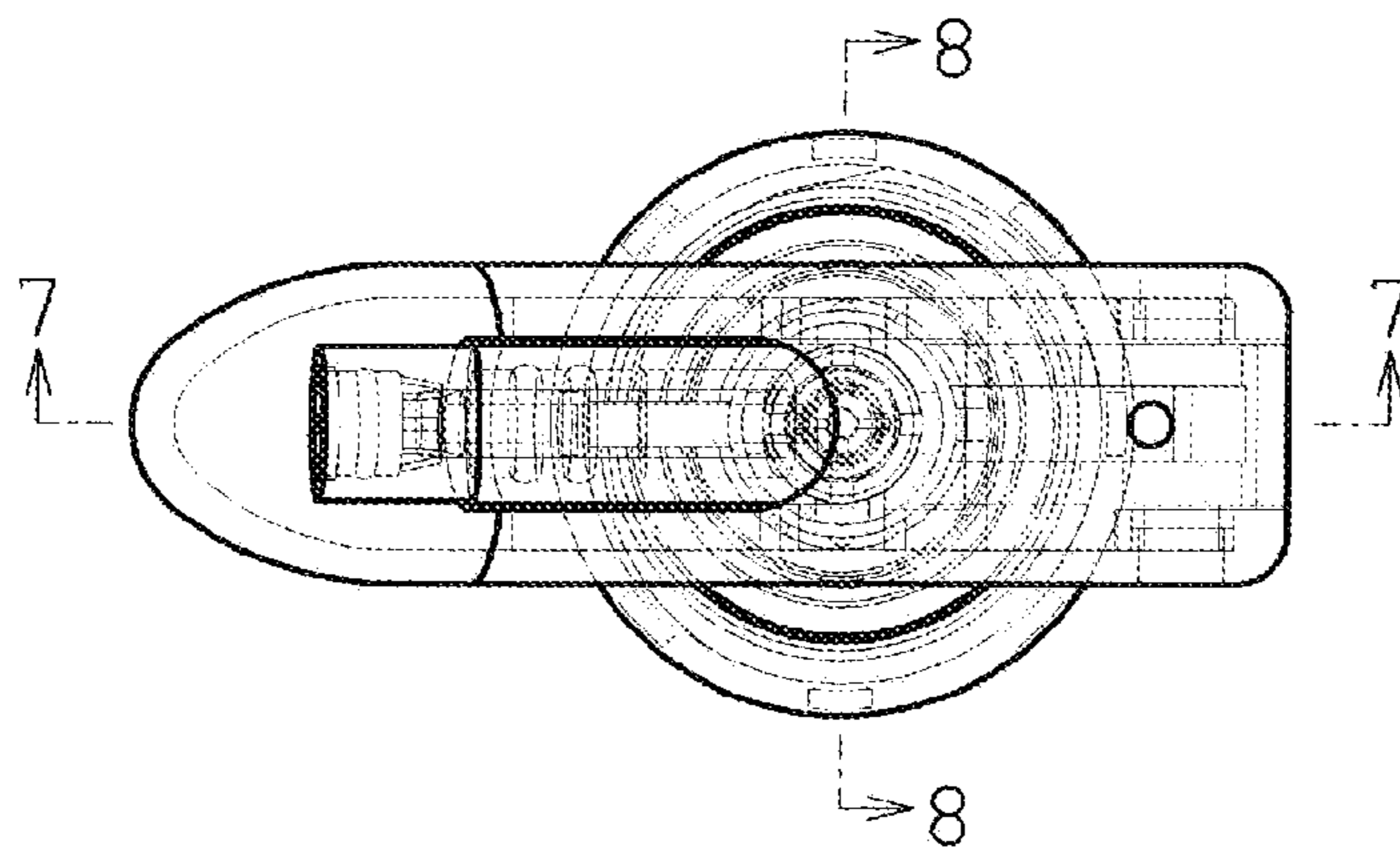


Figure 2

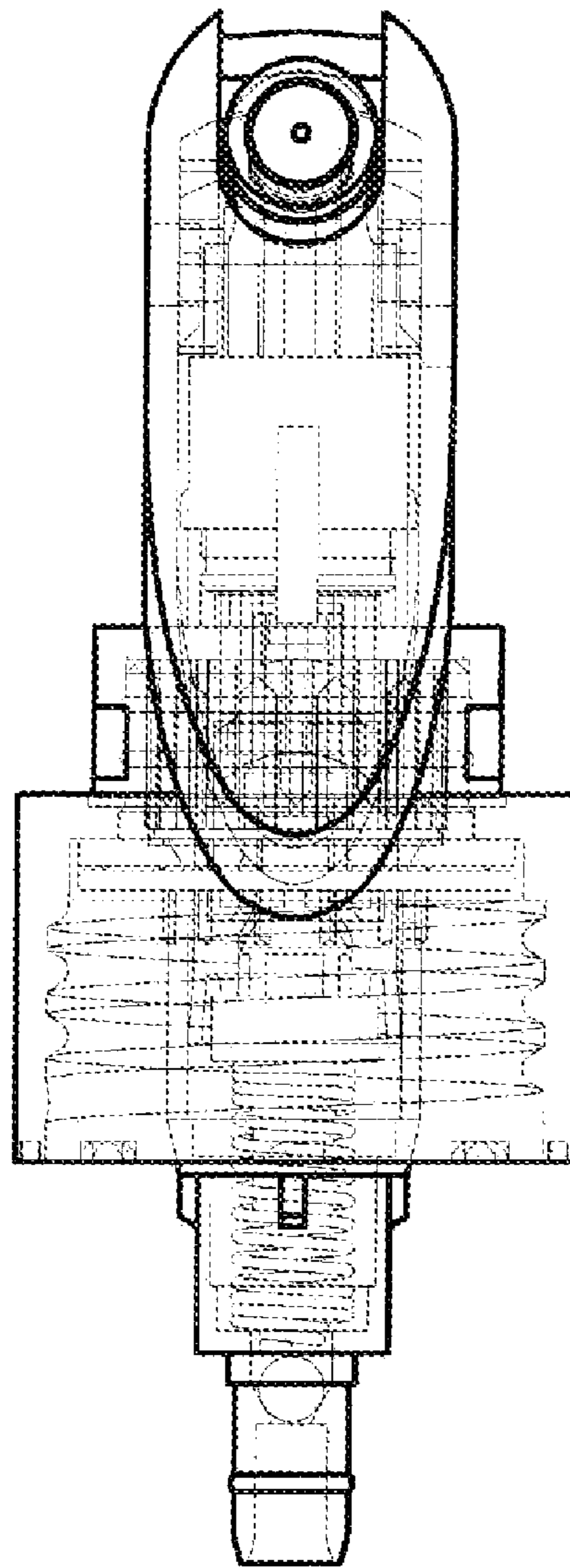


Figure 3

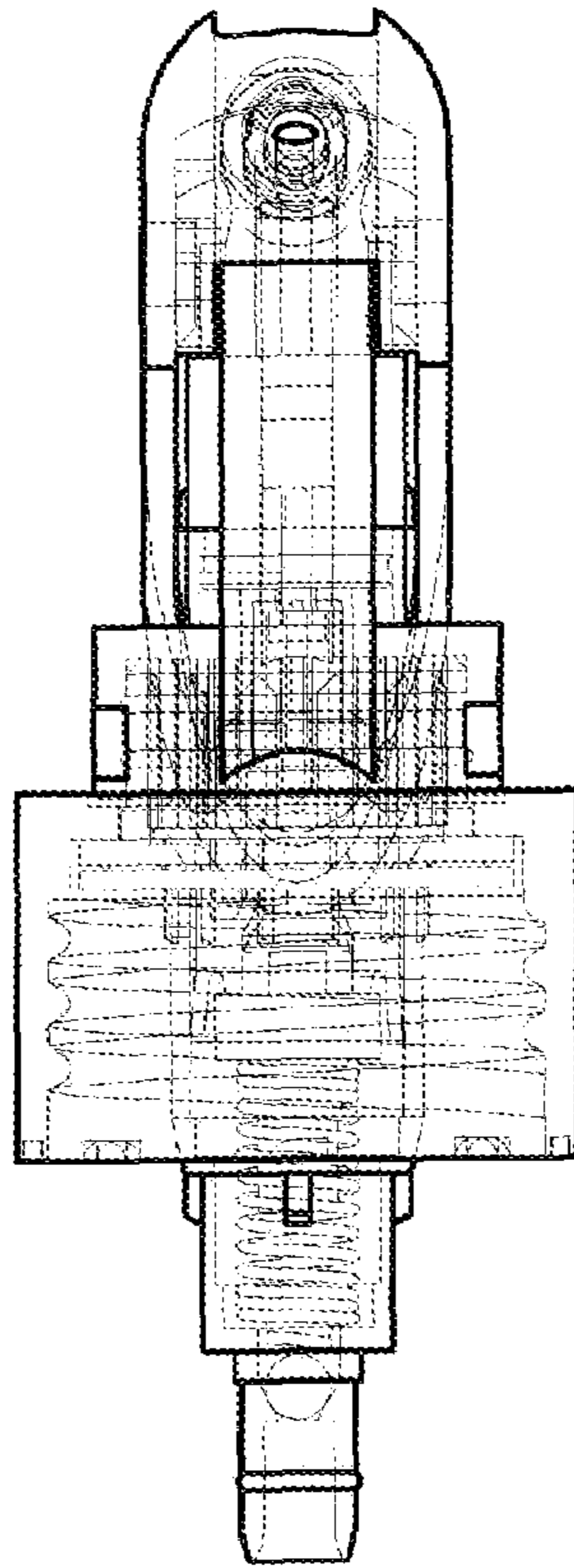


Figure 4

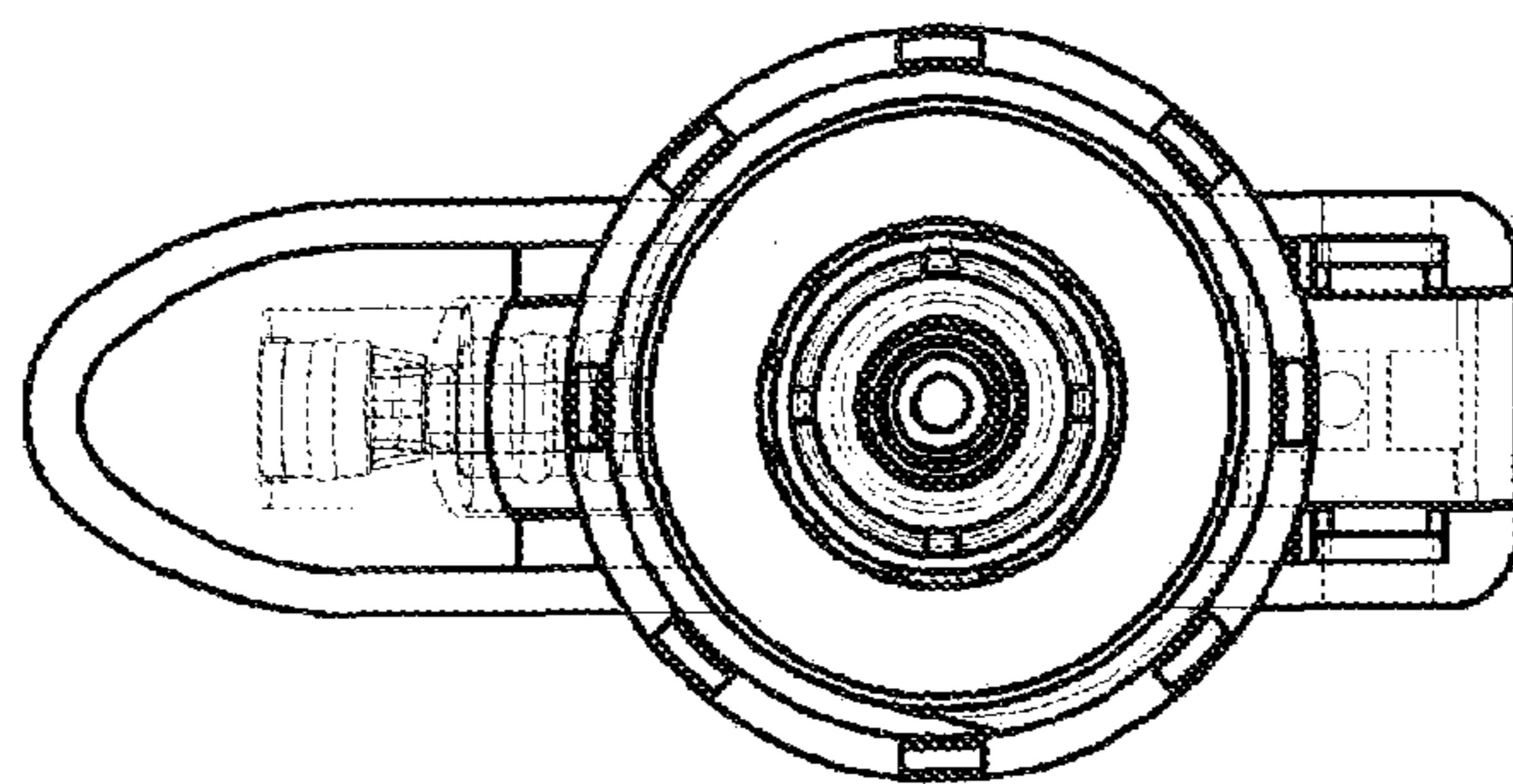


Figure 5

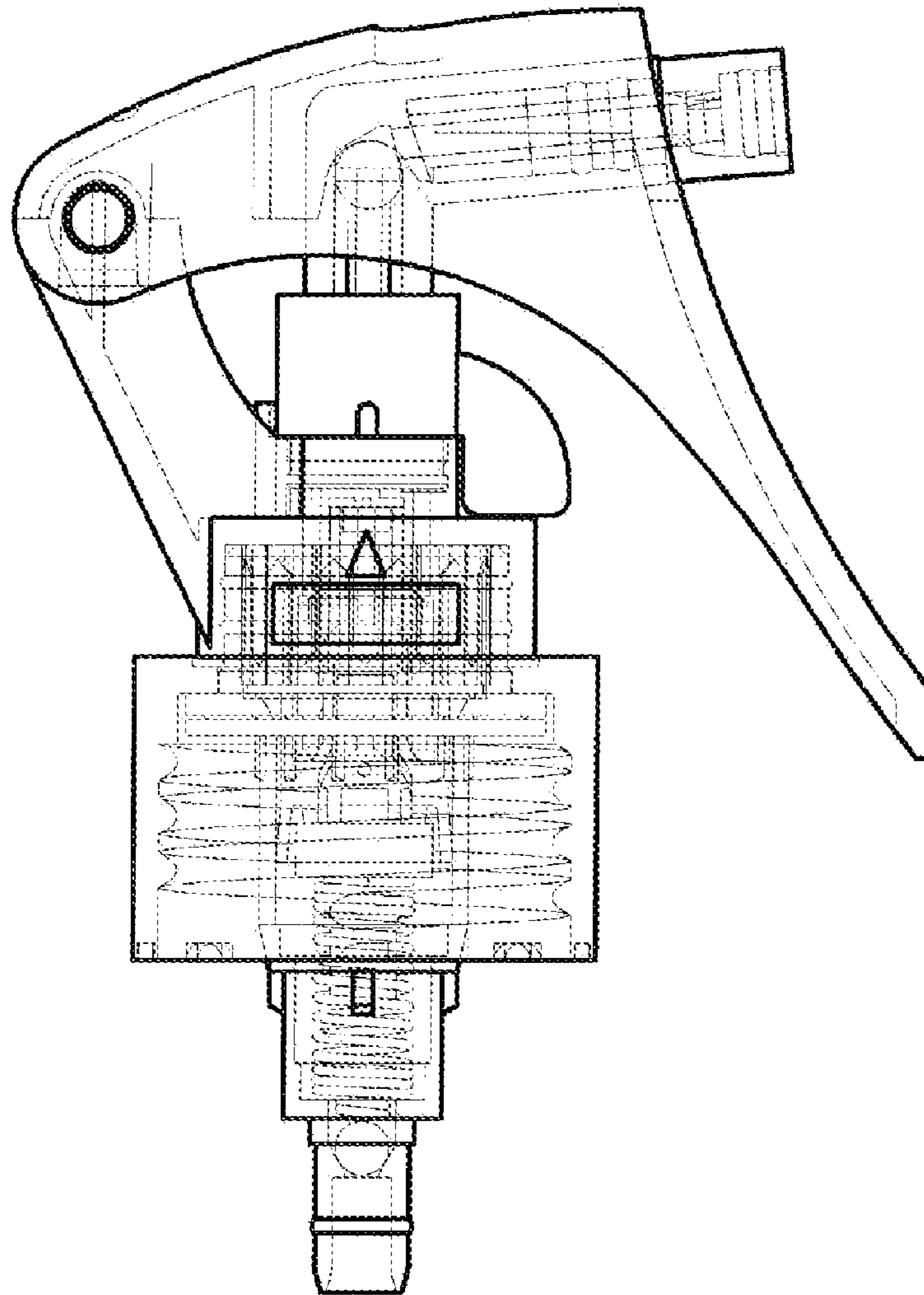


Figure 6

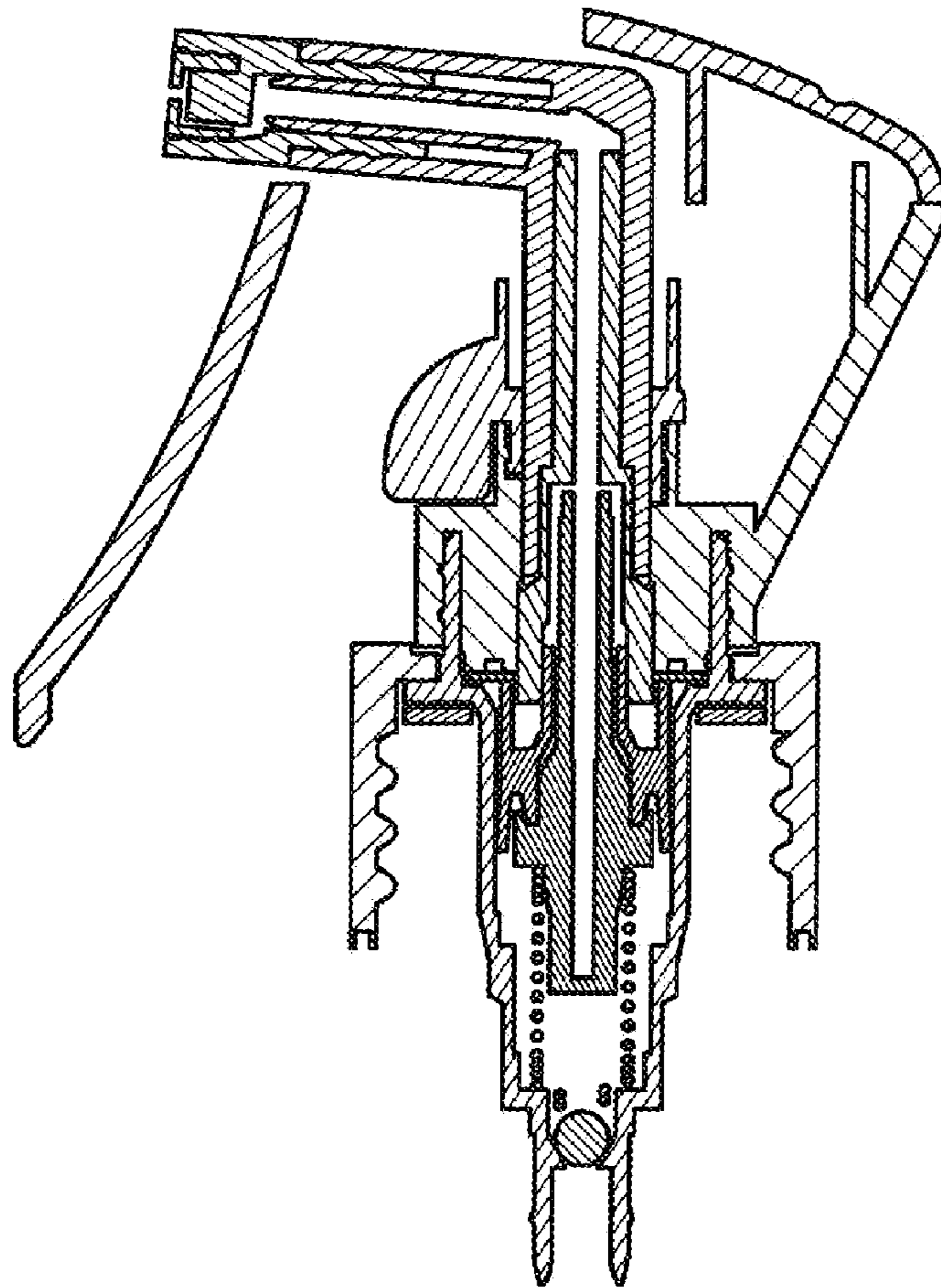


Figure 7

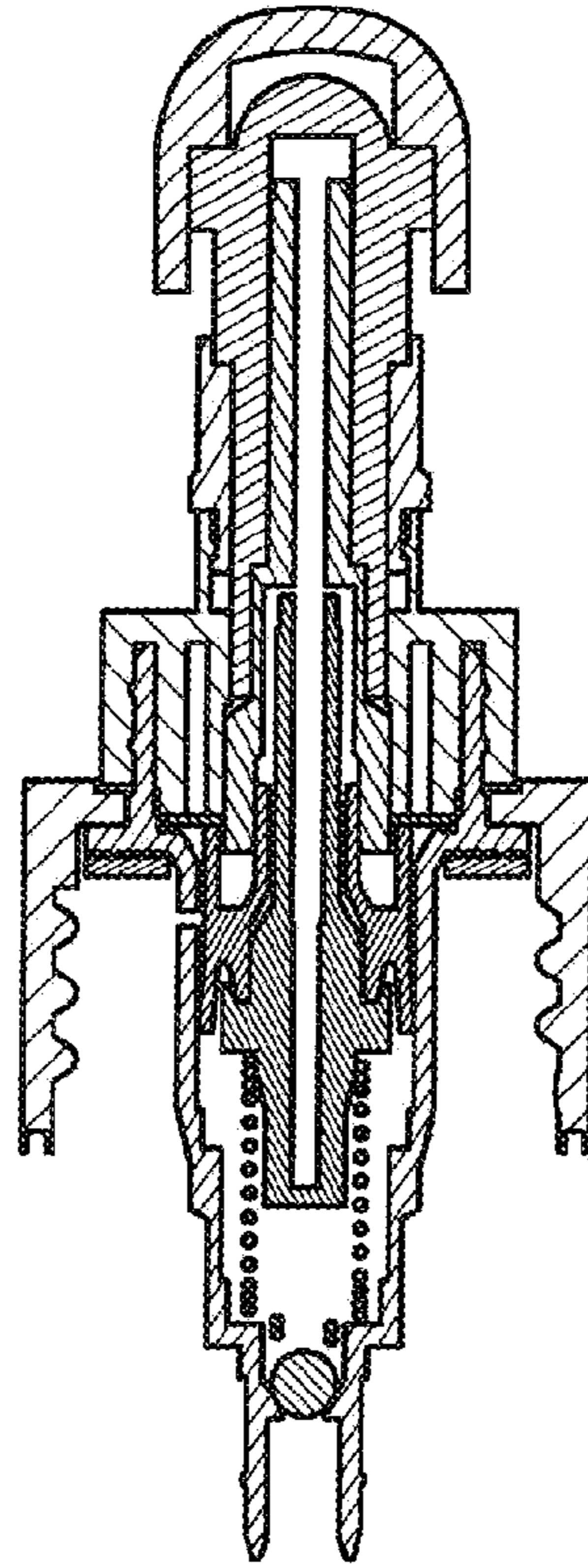


Figure 8

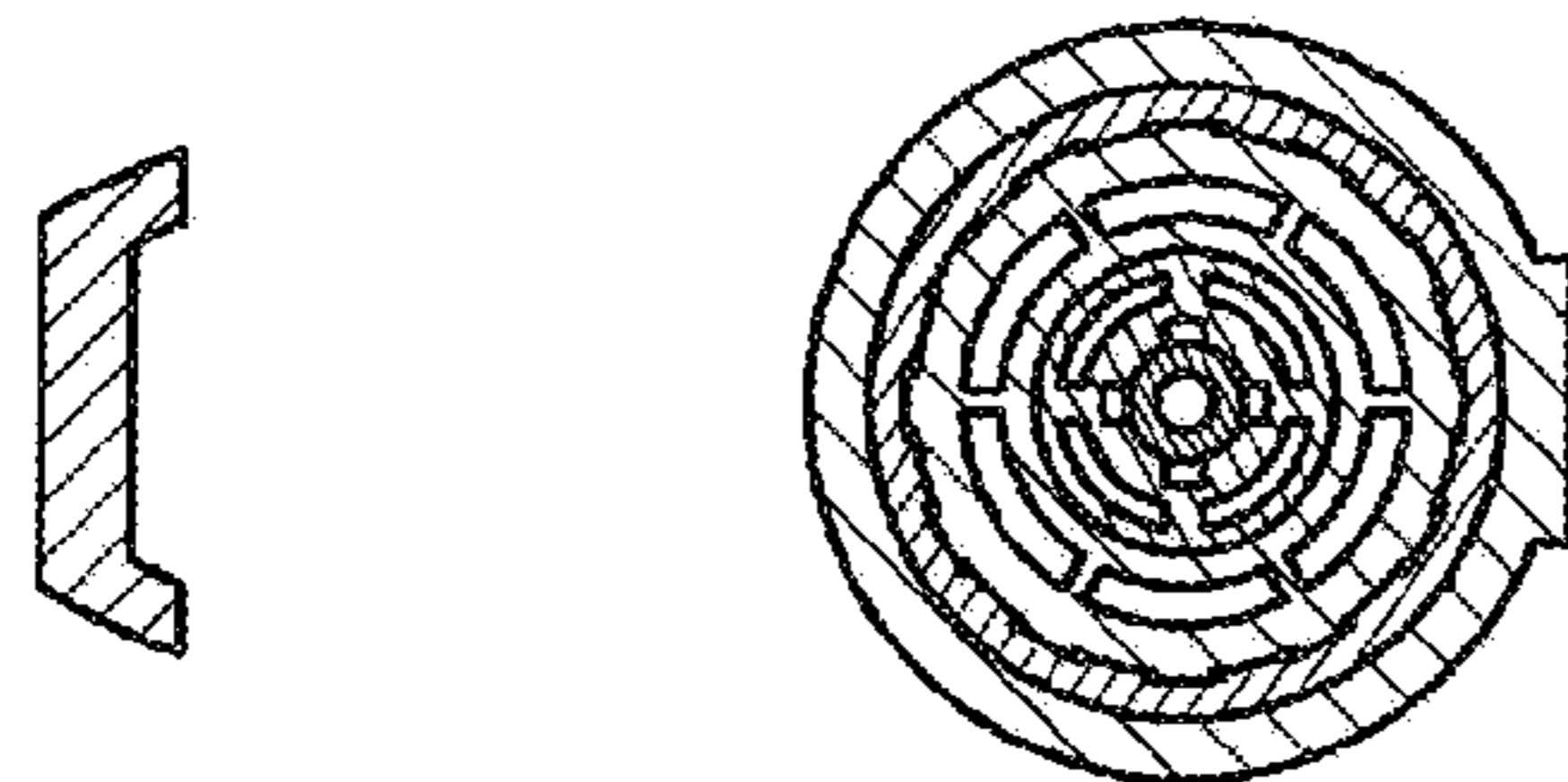


Figure 9

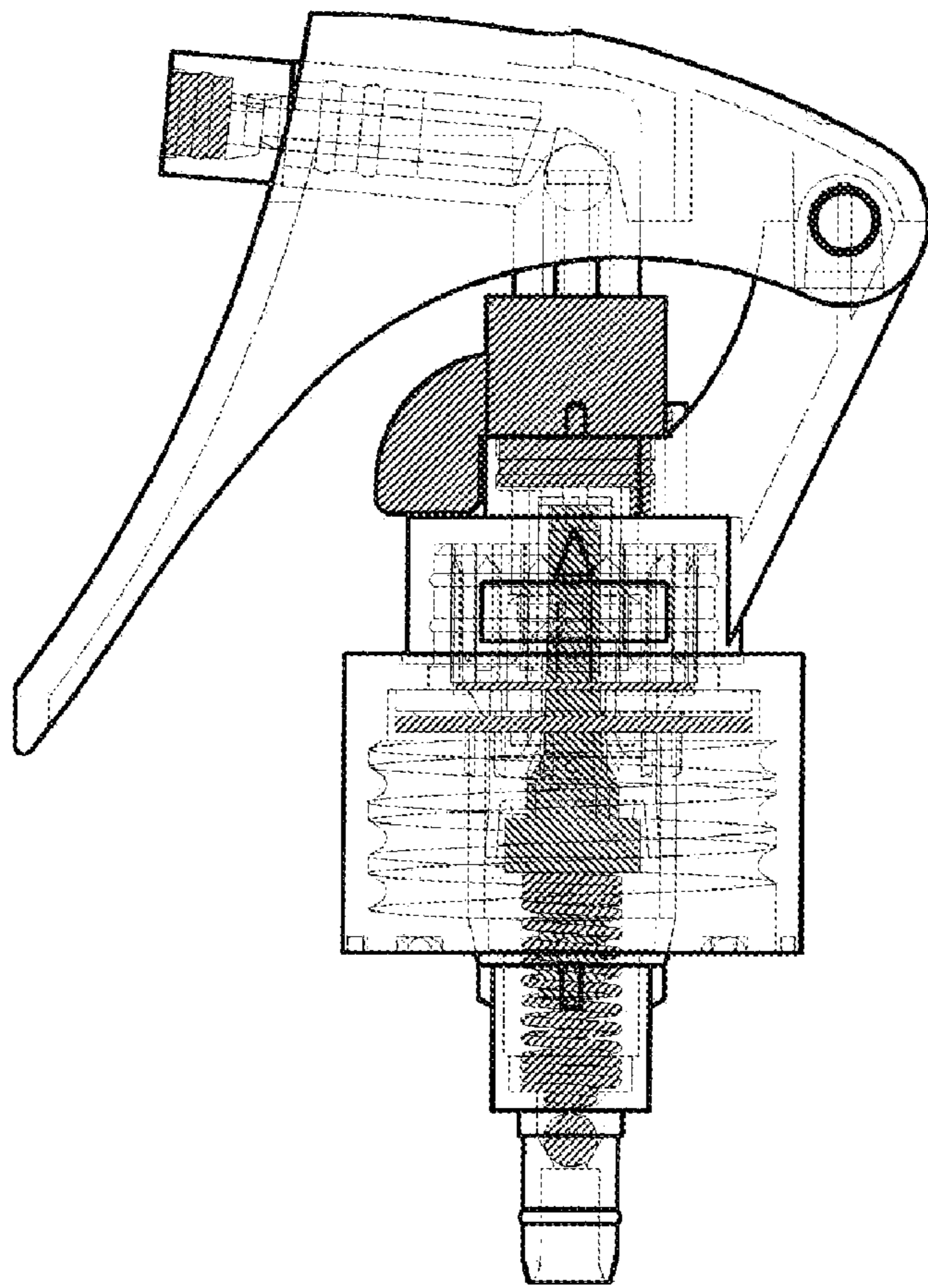


Figure 10