



US00D573460S

(12) **United States Design Patent**
Kawaguchi et al.

(10) **Patent No.:** **US D573,460 S**
(45) **Date of Patent:** **** Jul. 22, 2008**

(54) **CAP**
(75) Inventors: **Katsunori Kawaguchi**, Kobe (JP);
Keiko Nakamura, Yawata (JP)

D494,065 S * 8/2004 Hook D9/445
D514,934 S * 2/2006 Hook D9/445
D546,681 S * 7/2007 Botti et al. D9/444
D555,477 S * 11/2007 Mayers D9/451

(73) Assignee: **The Procter & Gamble Company**,
Cincinnati, OH (US)

* cited by examiner

(**) Term: **14 Years**

Primary Examiner—Gary D. Watson
Assistant Examiner—Susan Bennett Hattan

(21) Appl. No.: **29/262,083**

(74) *Attorney, Agent, or Firm*—Mark A. Charles; Kim
William Zerby; Steven W. Miller

(22) Filed: **Jun. 26, 2006**

(57) **CLAIM**

(51) **LOC (8) Cl.** **09-07**

The ornamental design for a cap, as shown and described.

(52) **U.S. Cl.** **D9/435; D9/434**

DESCRIPTION

(58) **Field of Classification Search** D9/454,
D9/453, 447, 445, 444, 440, 435; 220/DIG. 5,
220/DIG. 14, DIG. 12, 376; 215/354, 344,
215/323, 230

FIG. 1 is a perspective view of a cap, embodying our new
design;

FIG. 2 is a front view thereof;

FIG. 3 is a back view thereof;

FIG. 4 is a top plan view thereof;

FIG. 5 is a bottom view thereof; and

FIG. 6 is a right side view thereof; and,

FIG. 7 is a left side view thereof.

See application file for complete search history.

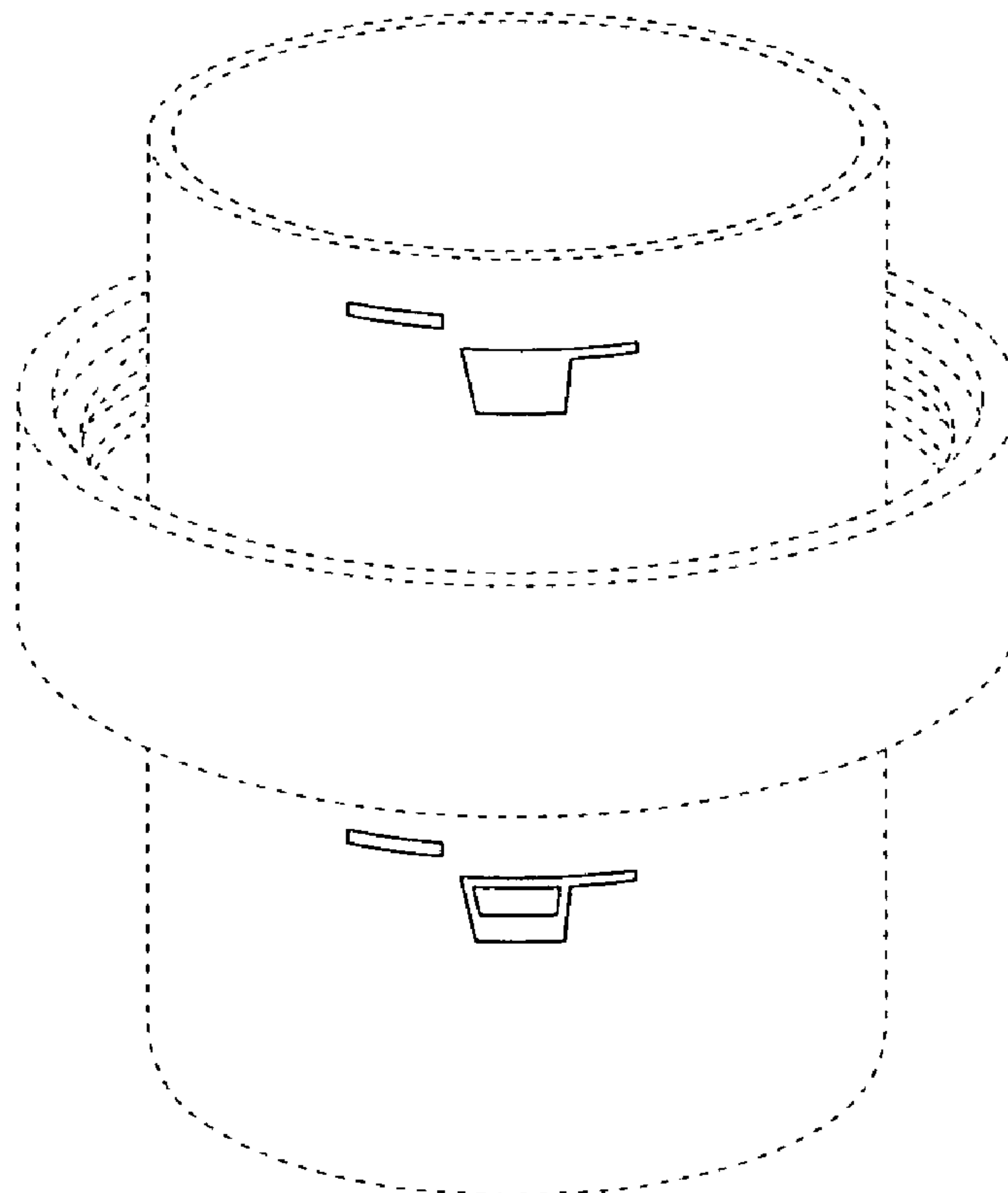
The broken lines shown in the drawings are for illustrative
purposes only and form no part of the claimed design.

(56) **References Cited**

U.S. PATENT DOCUMENTS

D382,482 S * 8/1997 Lathrop et al. D9/453
D443,820 S * 6/2001 Crawford et al. D9/453
D444,065 S * 6/2001 Crawford et al. D9/453
D444,384 S * 7/2001 Crawford et al. D9/453
D481,316 S * 10/2003 Hook D9/445
D494,064 S * 8/2004 Hook D9/445

1 Claim, 4 Drawing Sheets



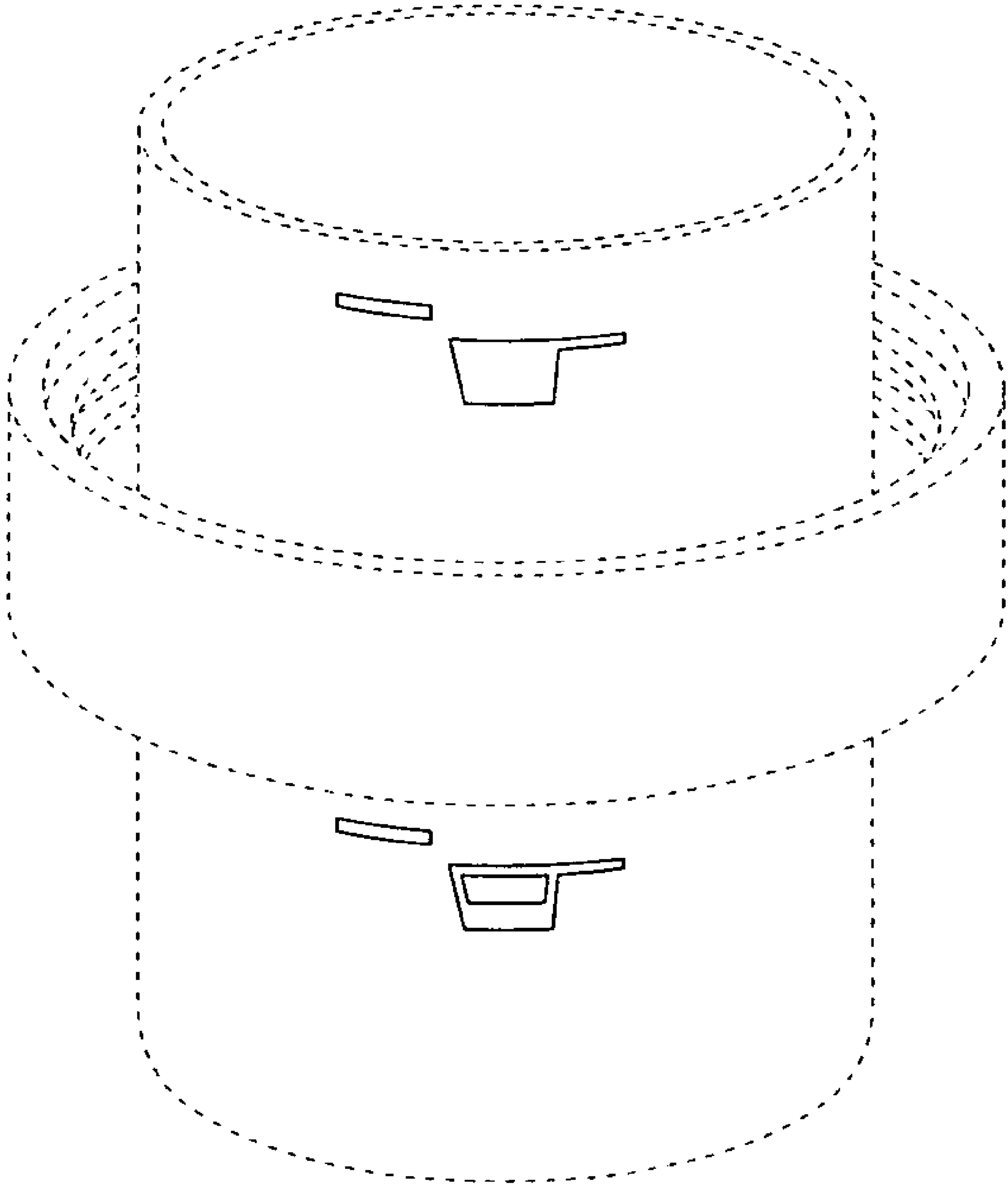


Fig. 1

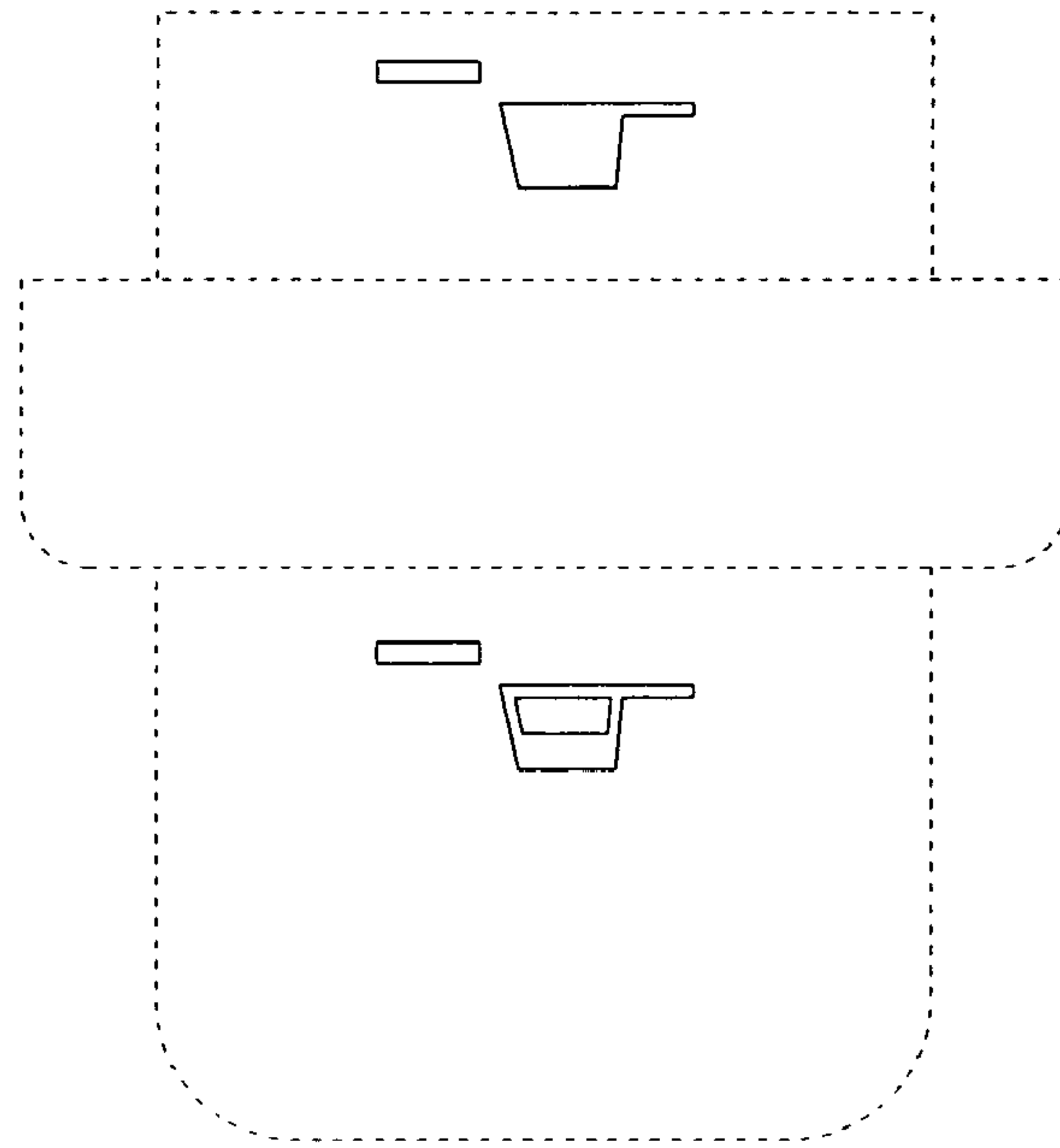


Fig. 2

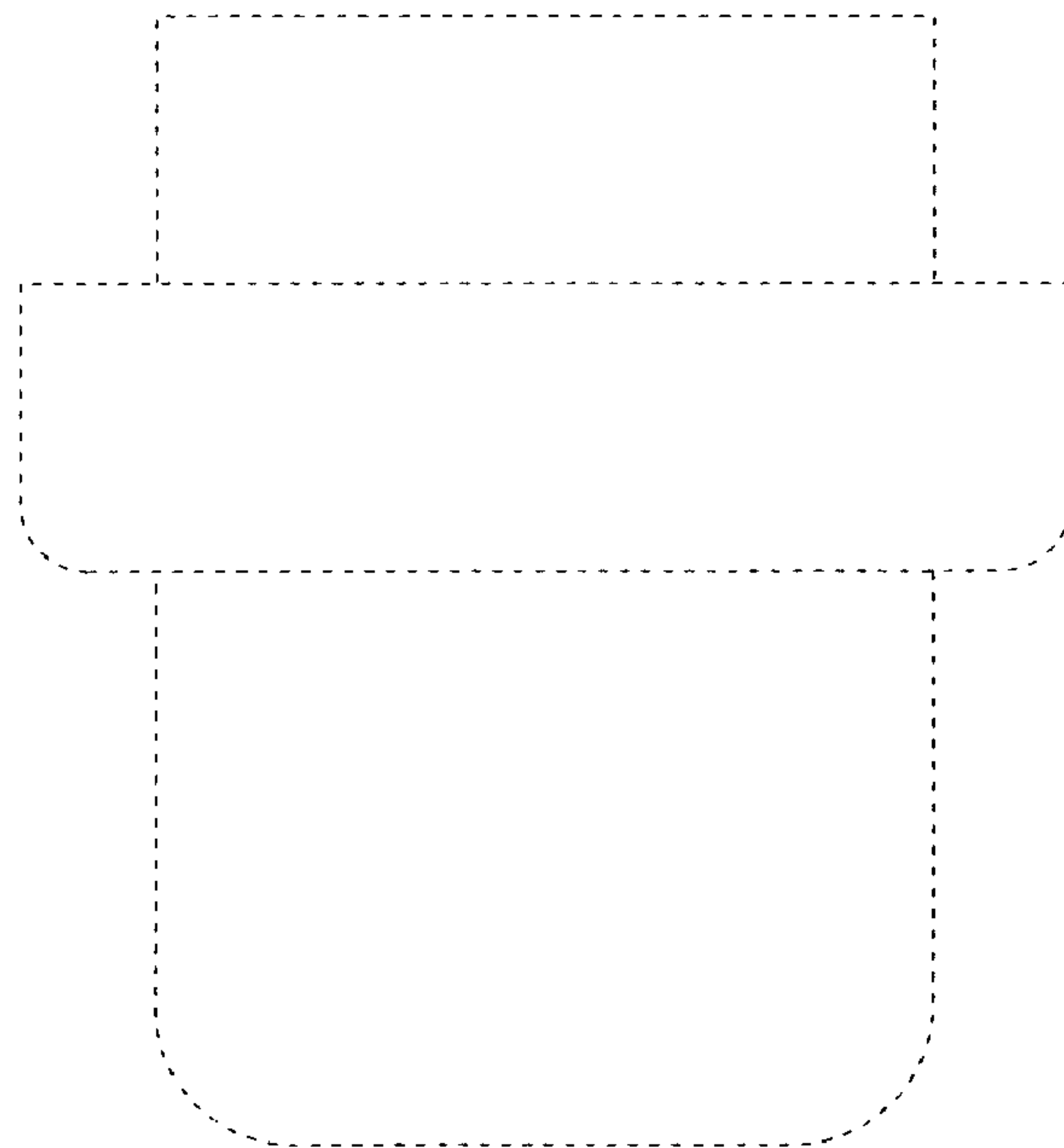


Fig. 3

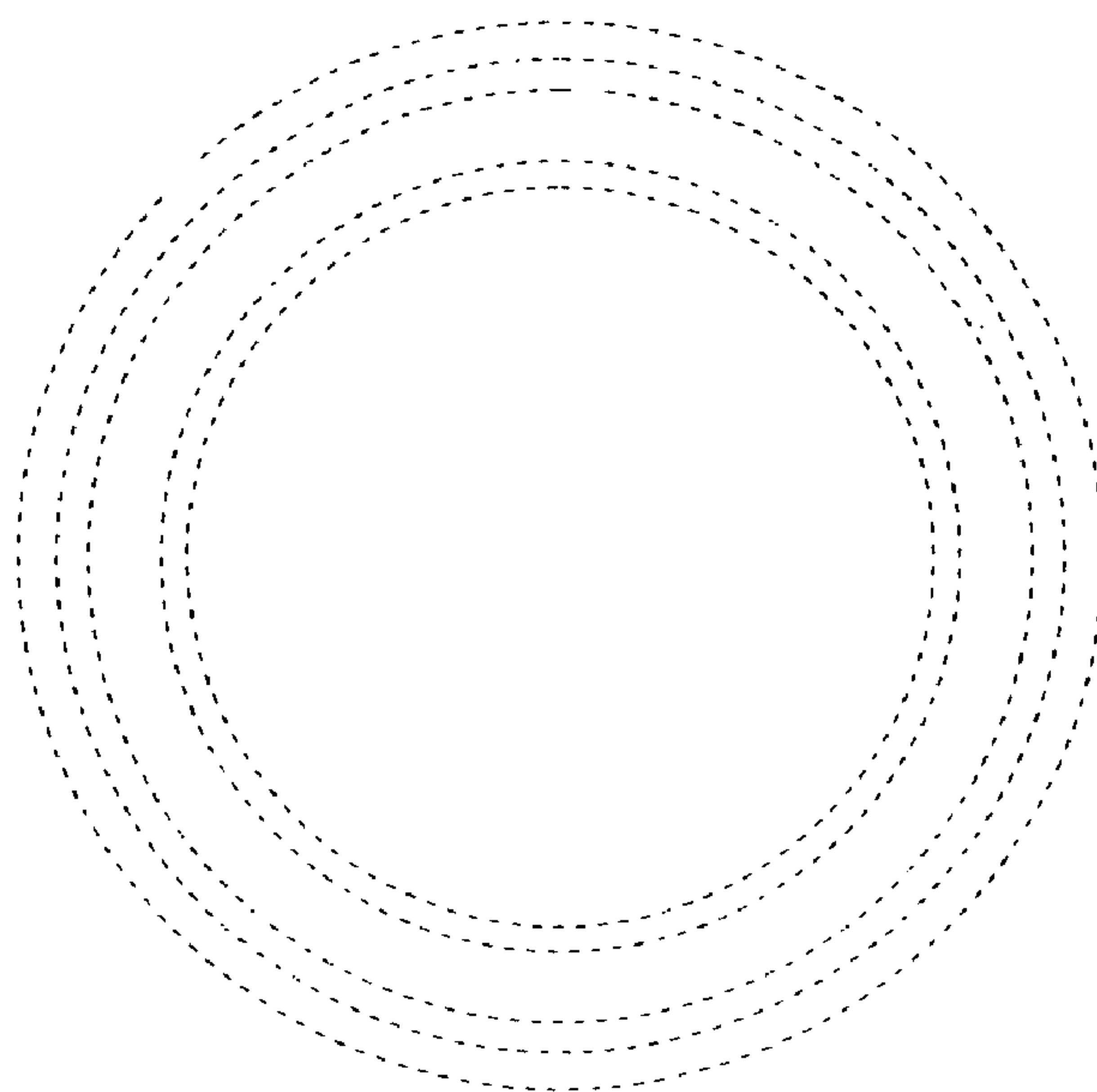


Fig. 4

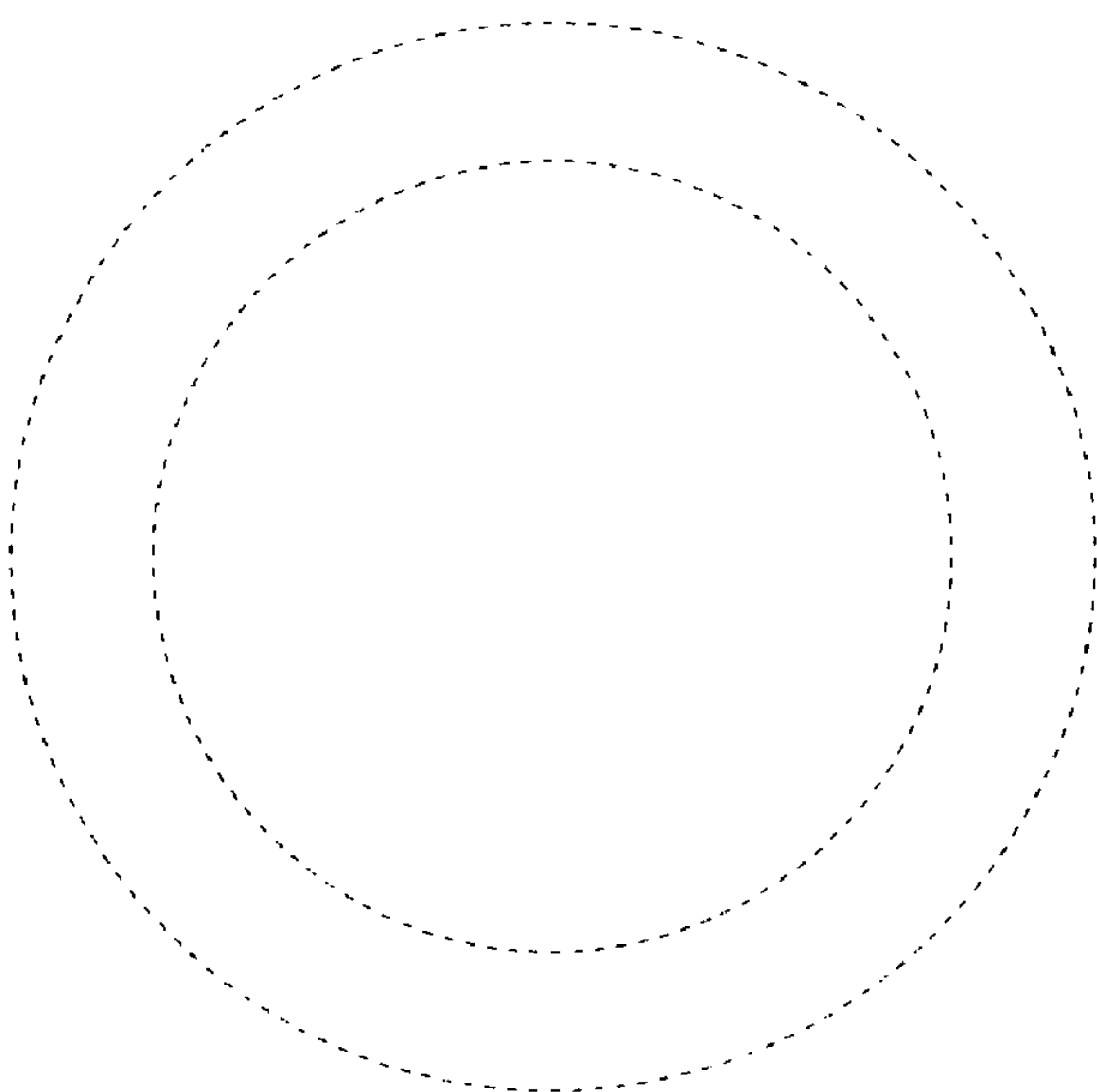


Fig. 5

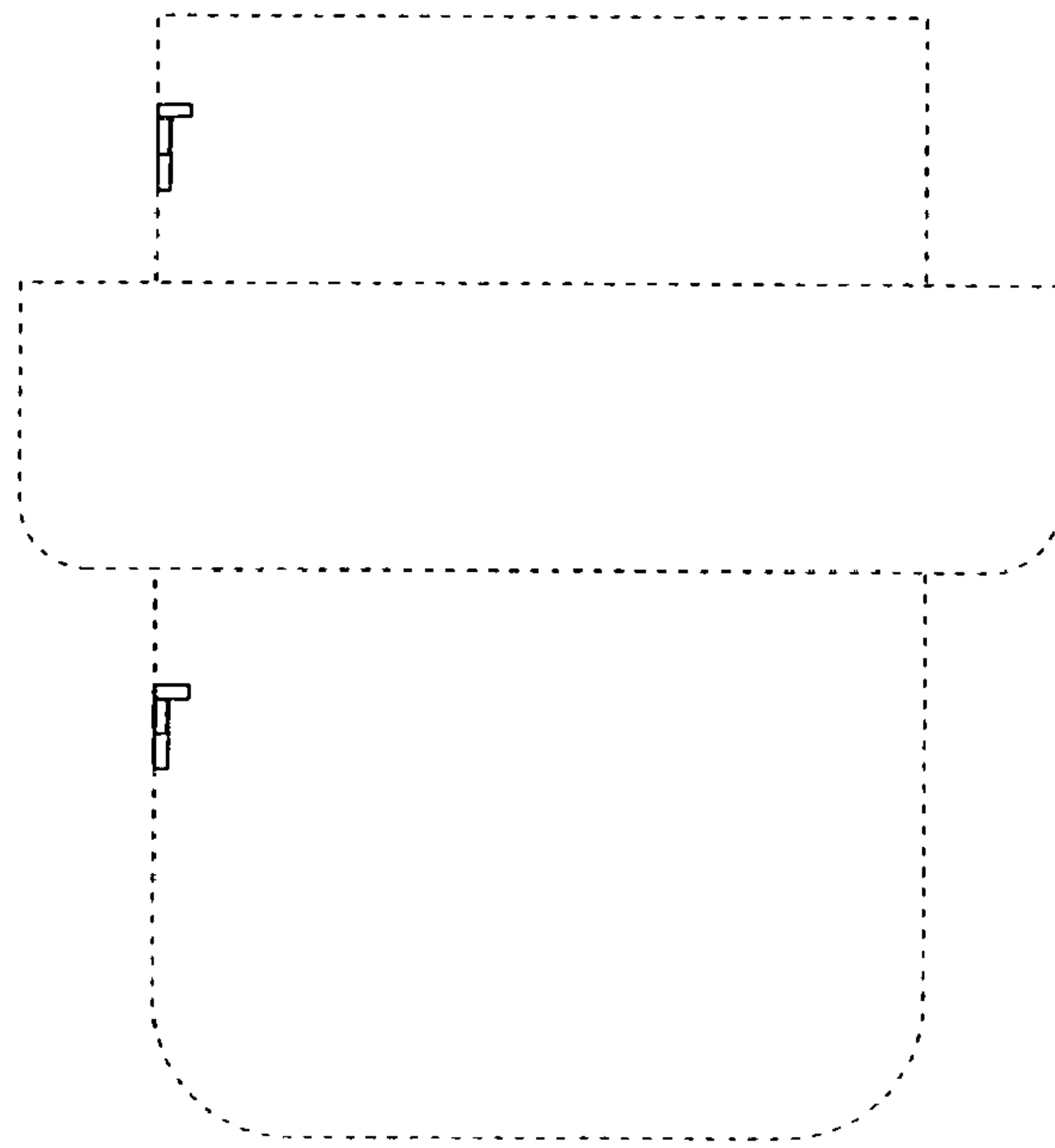


Fig. 6

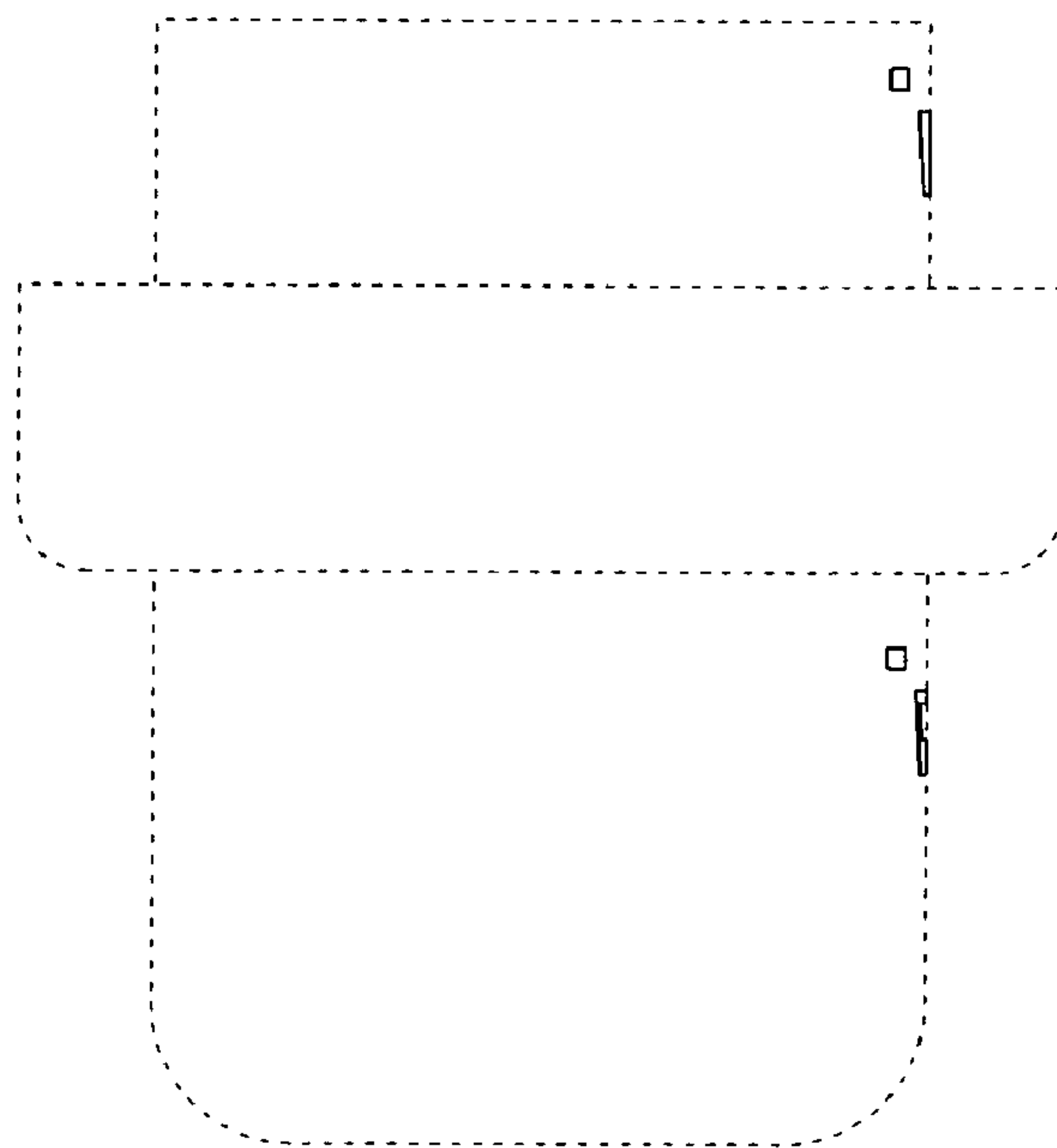


Fig. 7