



US00D573456S

(12) **United States Design Patent**
Deilmann

(10) **Patent No.:** **US D573,456 S**

(45) **Date of Patent:** **** Jul. 22, 2008**

(54) **CORD STOPPER**

* cited by examiner

(76) Inventor: **Clemens Deilmann**, Heubergstr. 25c,
D-83209 Prien (DE)

Primary Examiner—Holly H. Baynham

Assistant Examiner—Sheryl Friedman

(74) *Attorney, Agent, or Firm*—Bridget Sciamanna

(**) Term: **14 Years**

(57) **CLAIM**

(21) Appl. No.: **29/277,164**

The ornamental design for a cord stopper, as shown and described.

(22) Filed: **Feb. 16, 2007**

(51) **LOC (8) Cl.** **08-08**

(52) **U.S. Cl.** **D8/383**

(58) **Field of Classification Search** D8/383,
D8/333, 395; D11/215, 212; 24/115 G,
24/136 R, 115 M

See application file for complete search history.

DESCRIPTION

FIG. 1 is a first side view of a cord stopper showing our design;

FIG. 2 is a top view of the upper side of the cord stopper;

FIG. 3 is a second side view;

FIG. 4 is a perspective back view;

FIG. 5 is a perspective front view;

FIG. 6 is a top view of the underside of the cord stopper;

FIG. 7 is a top view photograph of the front side; and,

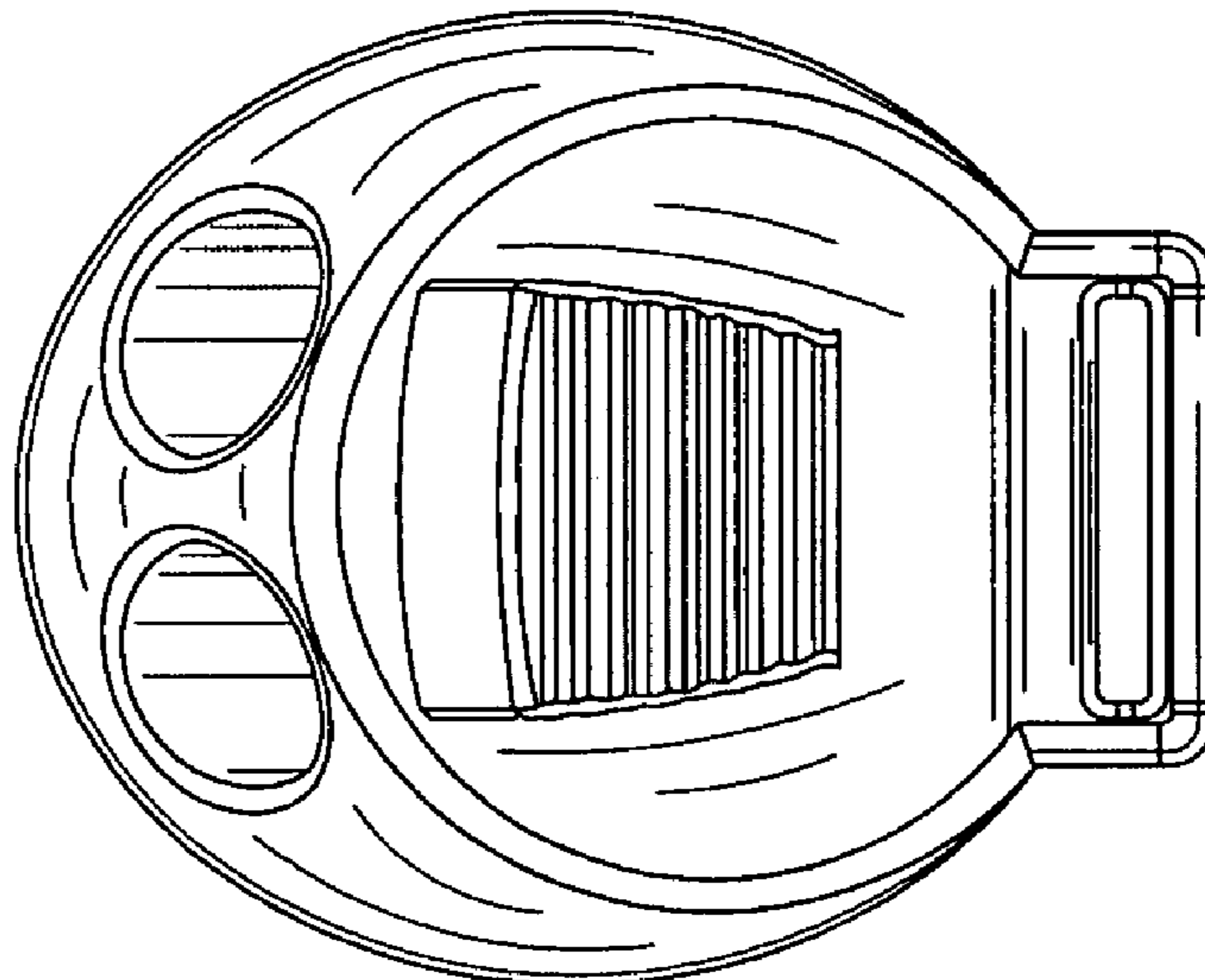
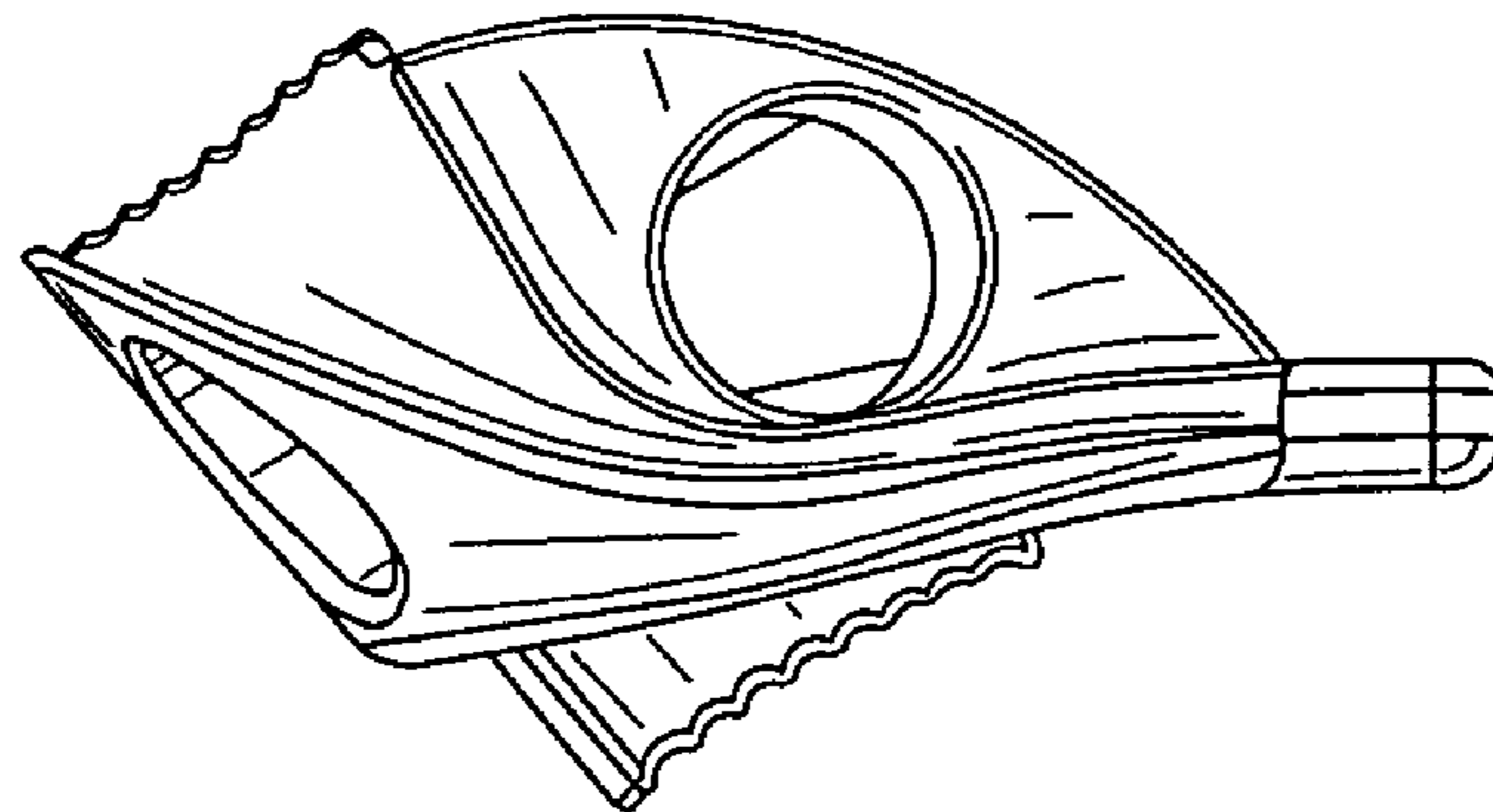
FIG. 8 is a top view photograph of the back side of the cord stopper.

(56) **References Cited**

U.S. PATENT DOCUMENTS

| | | | | |
|----------------|---------|--------------|-------|--------|
| D247,345 S * | 2/1978 | Mulholland | | D8/383 |
| D452,138 S * | 12/2001 | Murata | | D8/383 |
| D543,445 S * | 5/2007 | Latal et al. | | D8/383 |
| D551,066 S * | 9/2007 | Takahashi | | D8/383 |
| D551,067 S * | 9/2007 | Kawamura | | D8/383 |
| D552,460 S * | 10/2007 | Takahashi | | D8/383 |
| 7,299,527 B1 * | 11/2007 | Gyure | | 24/198 |

1 Claim, 3 Drawing Sheets



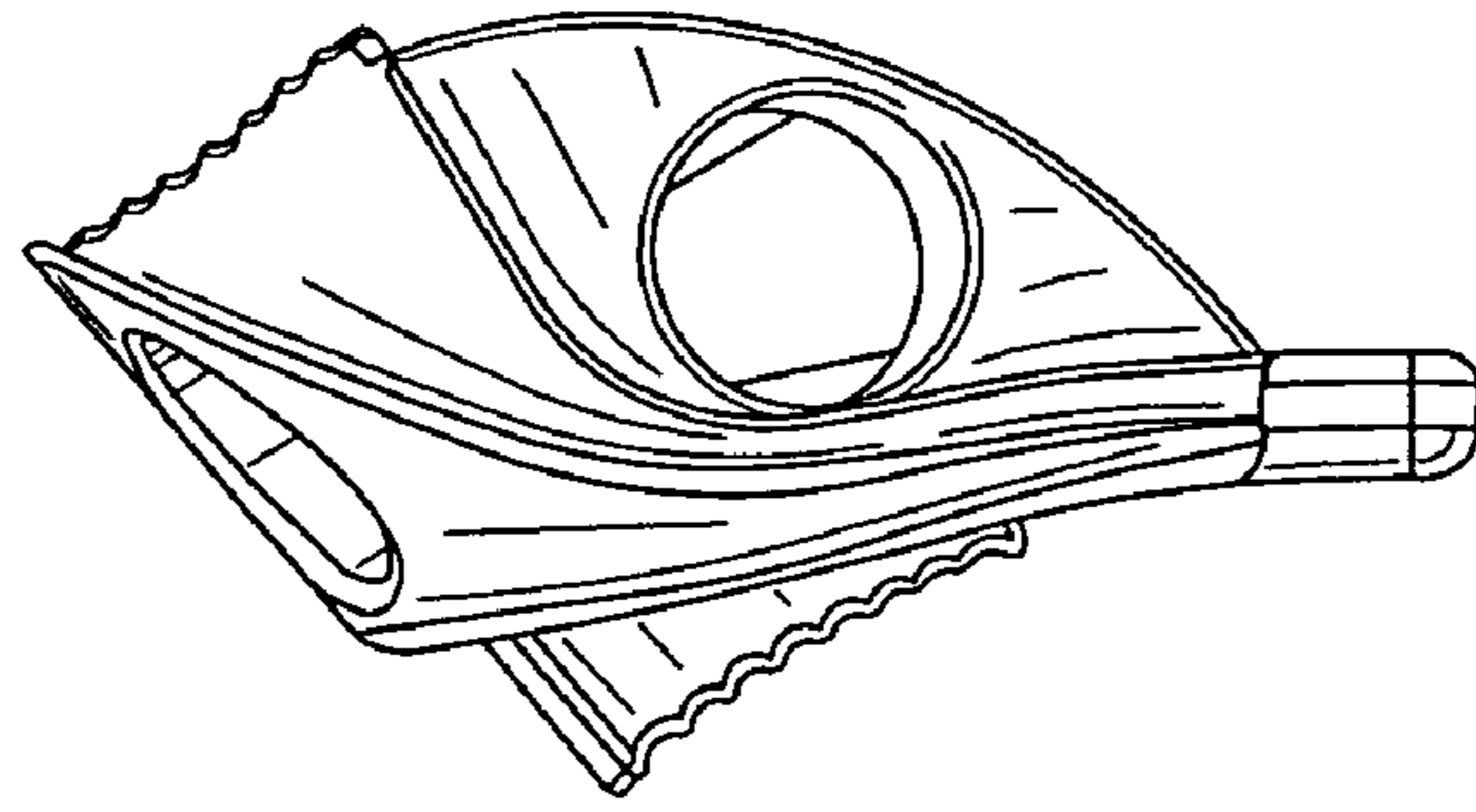


FIG. 1

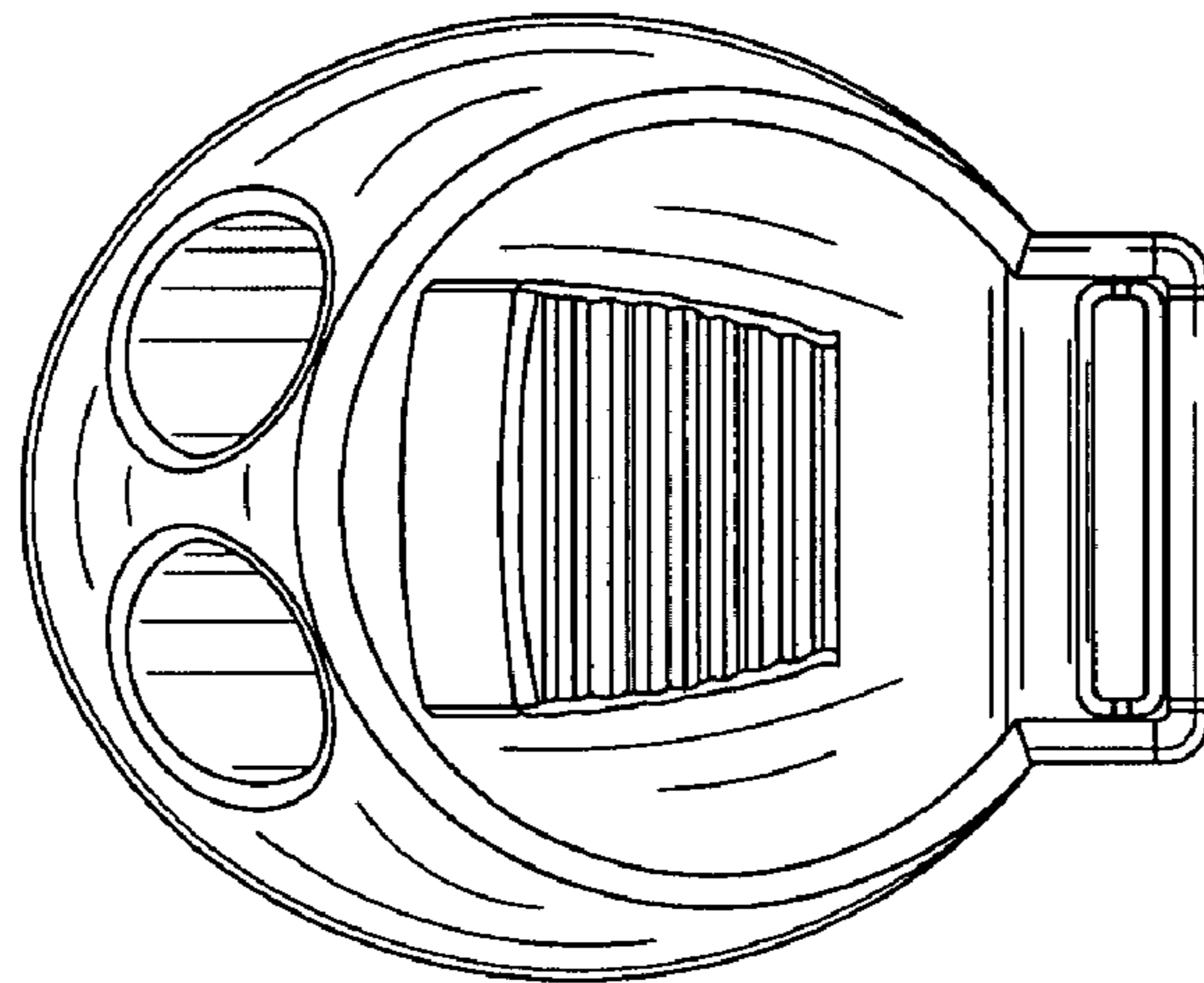


FIG. 2

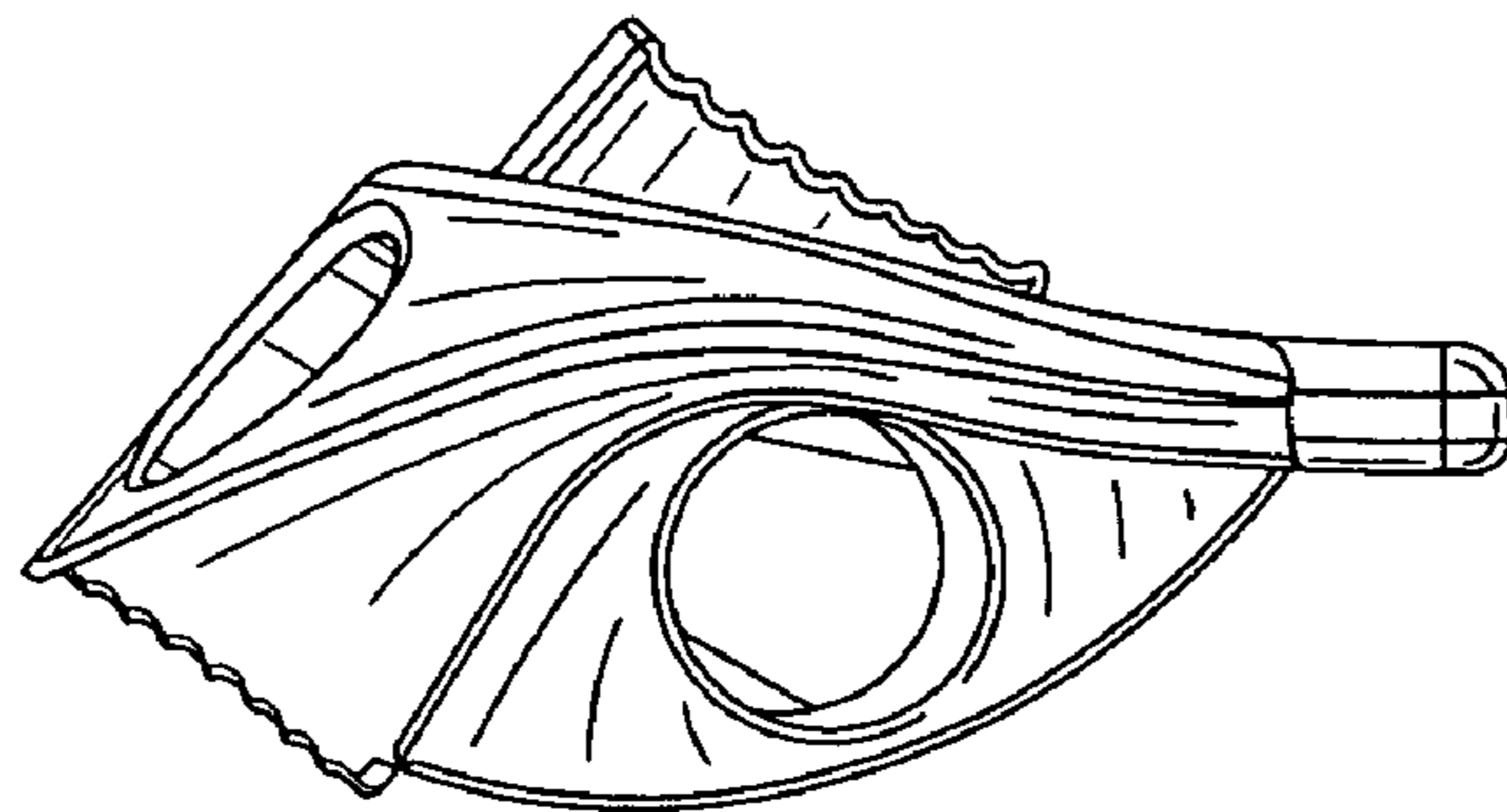


FIG. 3

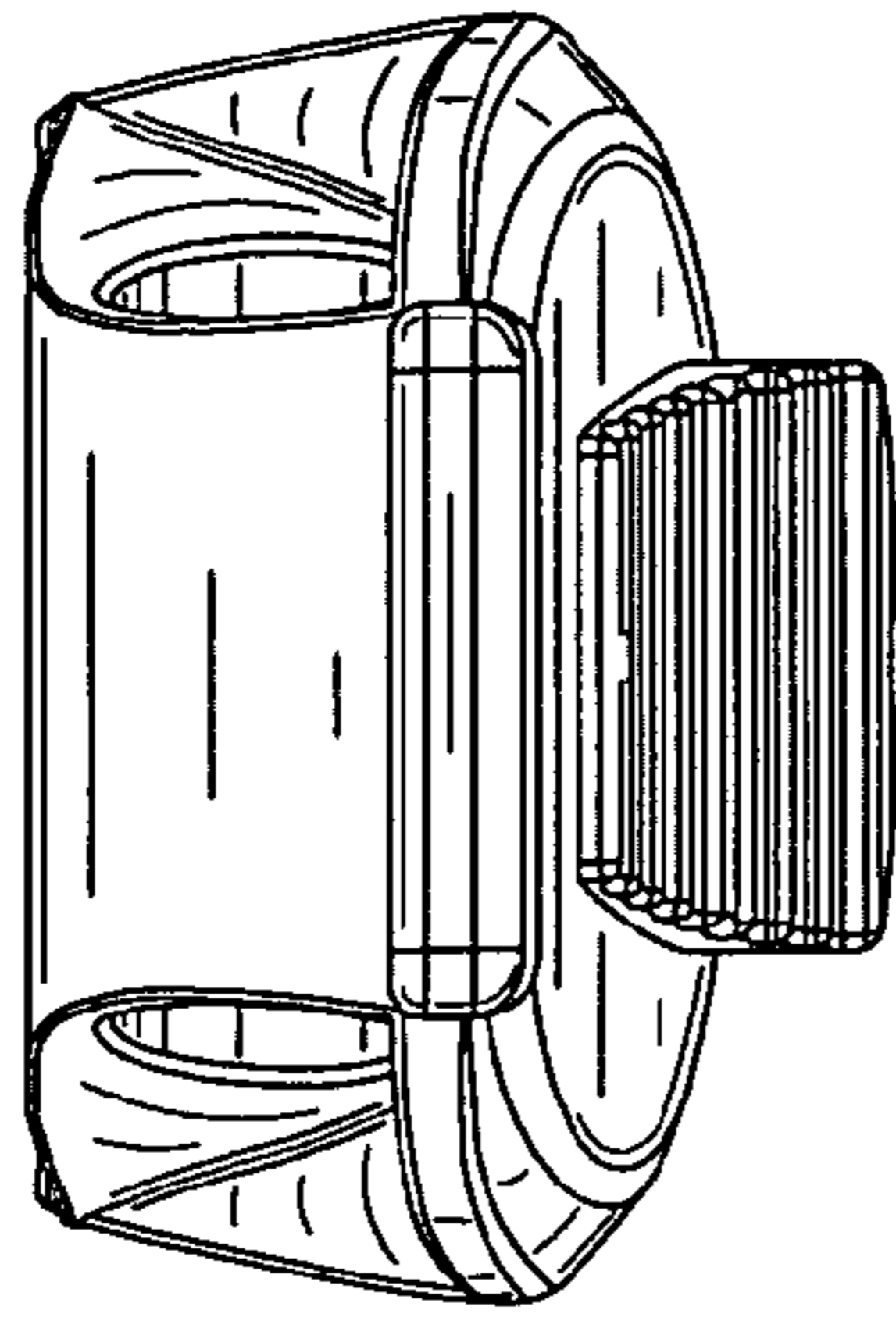


FIG. 4

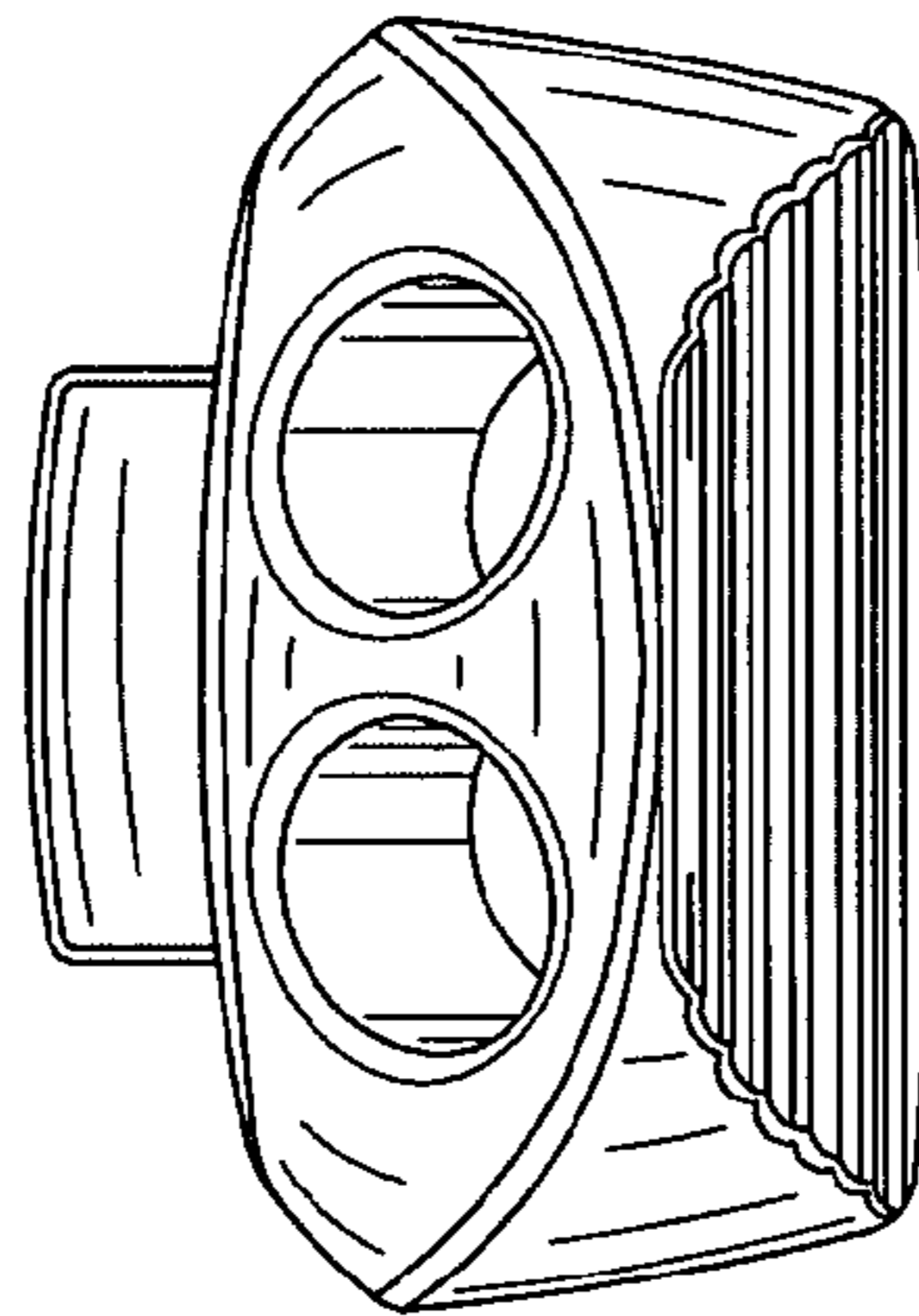


FIG. 5

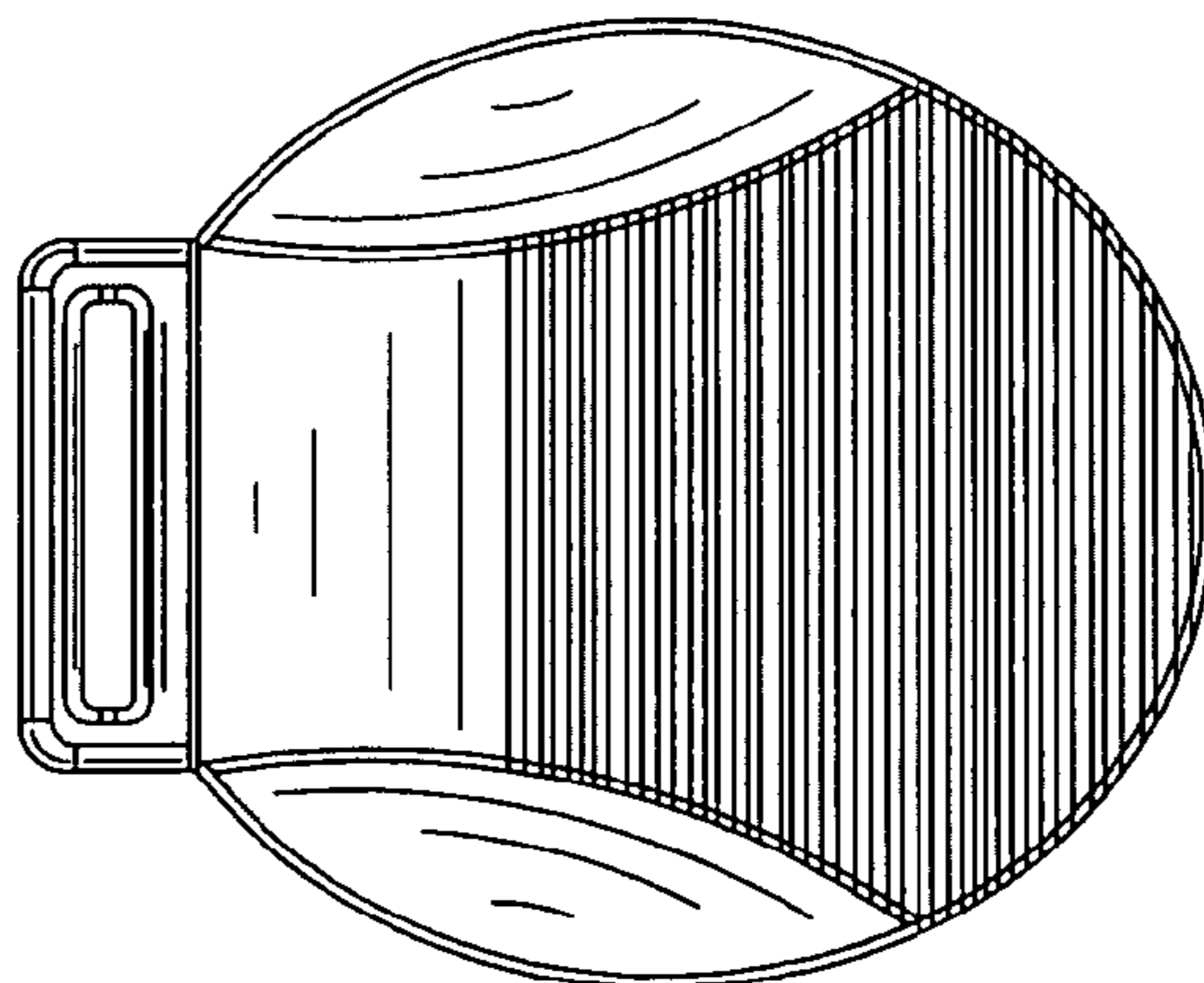


FIG. 6

