



US00D573455S

(12) **United States Design Patent**  
**Ryman**

(10) **Patent No.:** **US D573,455 S**  
(45) **Date of Patent:** **\*\* Jul. 22, 2008**

(54) **TWIST CONNECTOR**

(75) Inventor: **Morgan Ryman**, Anderstorp (SE)

(73) Assignee: **Aba of Sweden AB**, Anderstorp (SE)

(\*\*) Term: **14 Years**

(21) Appl. No.: **29/274,477**

(22) Filed: **Apr. 27, 2007**

(30) **Foreign Application Priority Data**

Oct. 31, 2006 (EM) ..... 000614060

(51) **LOC (8) Cl.** ..... **08-08**

(52) **U.S. Cl.** ..... **D8/382; D23/262**

(58) **Field of Classification Search** ..... D8/382,  
D8/383, 394; D23/262, 264, 265

See application file for complete search history.

(56) **References Cited**

**U.S. PATENT DOCUMENTS**

- 2,455,180 A \* 11/1948 Kennedy ..... 285/404
- D317,352 S \* 6/1991 Takeuchi ..... D23/265
- 5,925,853 A \* 7/1999 Miller ..... 174/87
- 6,467,817 B1 \* 10/2002 Rhyman ..... 285/319
- D484,592 S \* 12/2003 Ryhman et al. .... D24/128

- D529,793 S \* 10/2006 Kuroda ..... D8/382
- D547,168 S \* 7/2007 Churchill ..... D8/382
- D560,764 S \* 1/2008 Gibb et al. .... D23/265

\* cited by examiner

*Primary Examiner*—Holly H. Baynham

*Assistant Examiner*—Sheryl Friedman

(74) *Attorney, Agent, or Firm*—Birch, Stewart, Kolasch & Birch, LLP

(57) **CLAIM**

The ornamental design for a twist connector, as shown and described.

**DESCRIPTION**

FIG. 1 is a perspective view of a twist connector showing my new design;

FIG. 2 is a bottom plan view thereof;

FIG. 3 is a left side elevational view thereof;

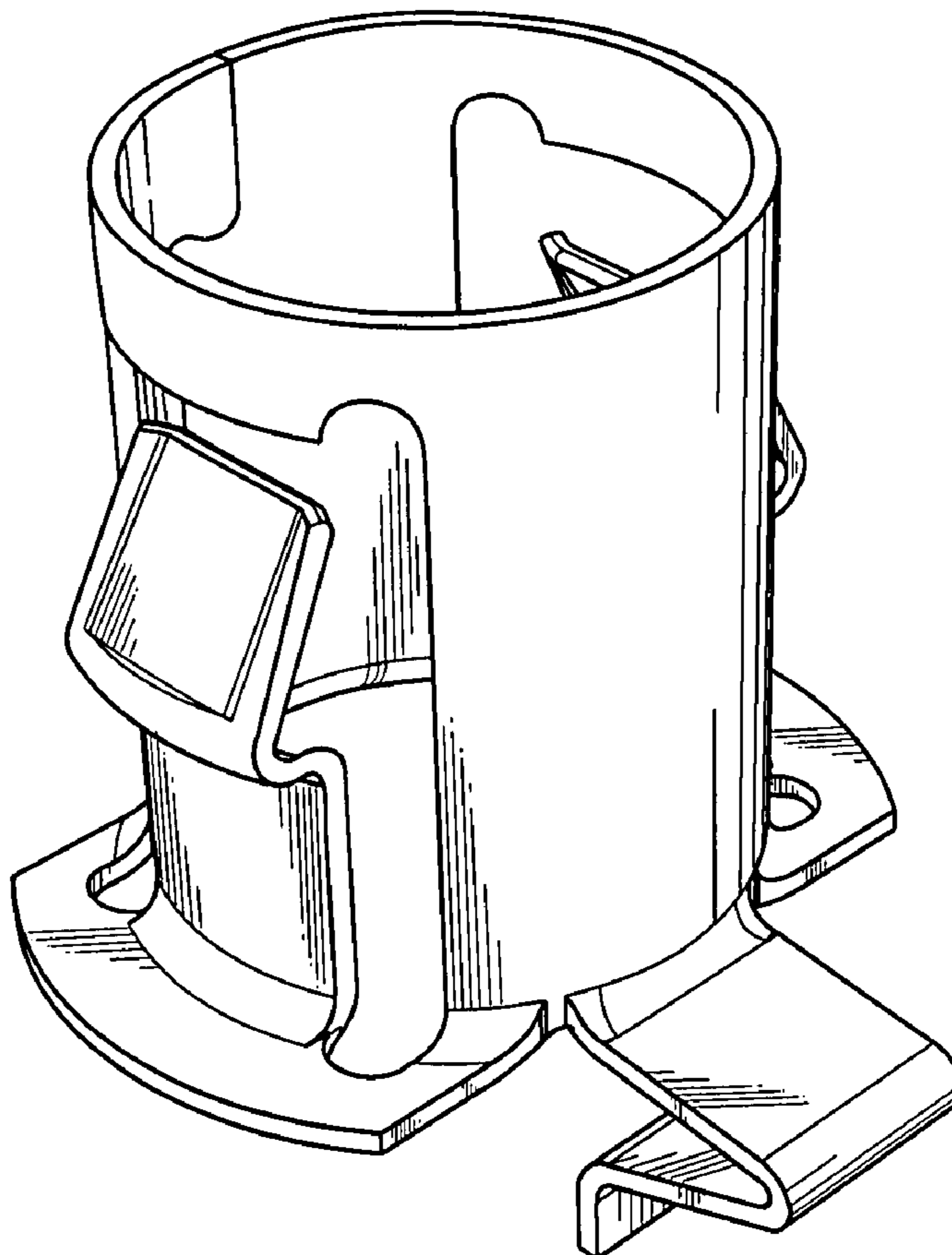
FIG. 4 is a front plan view thereof;

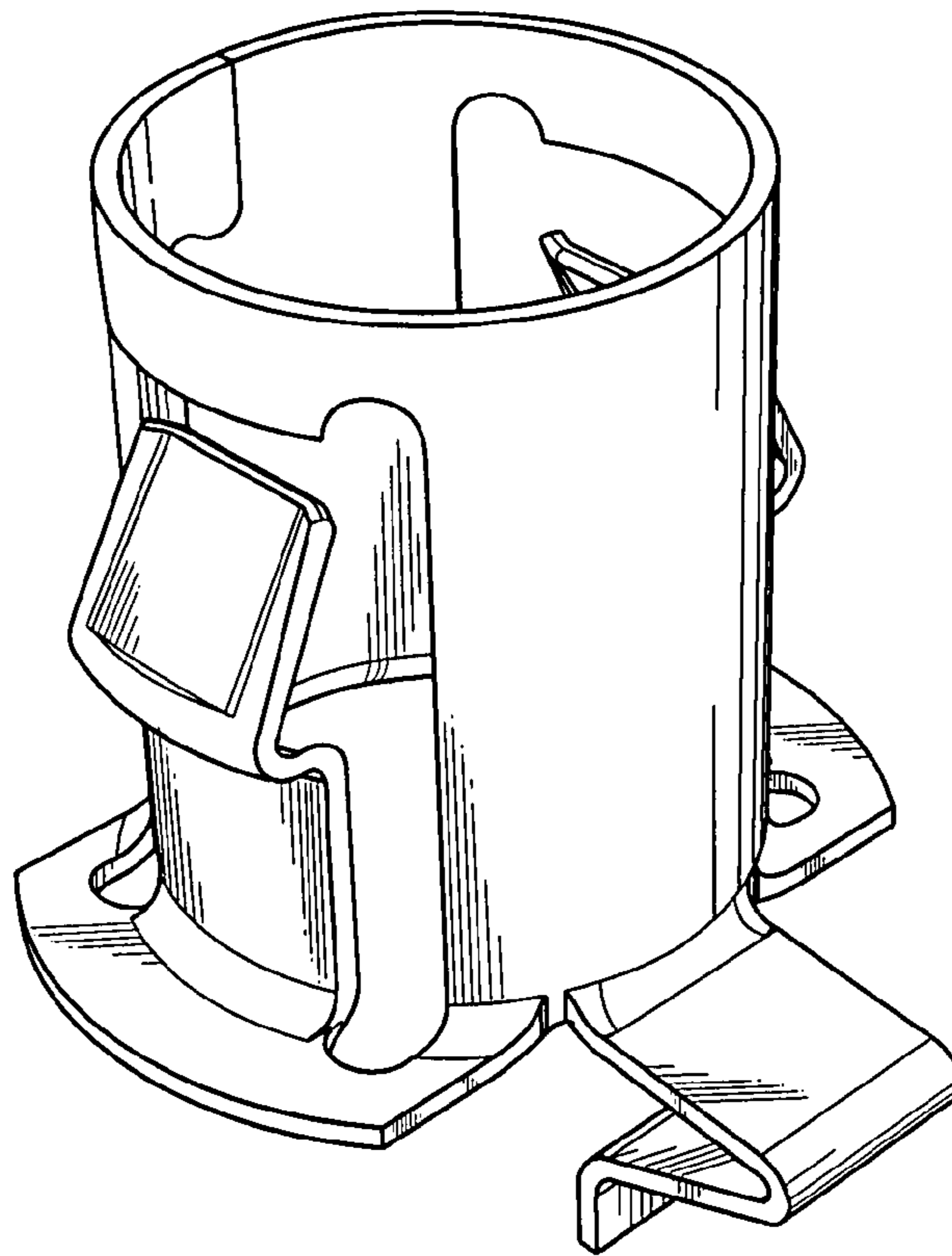
FIG. 5 is a top plan view thereof;

FIG. 6 is a right side elevational view thereof; and,

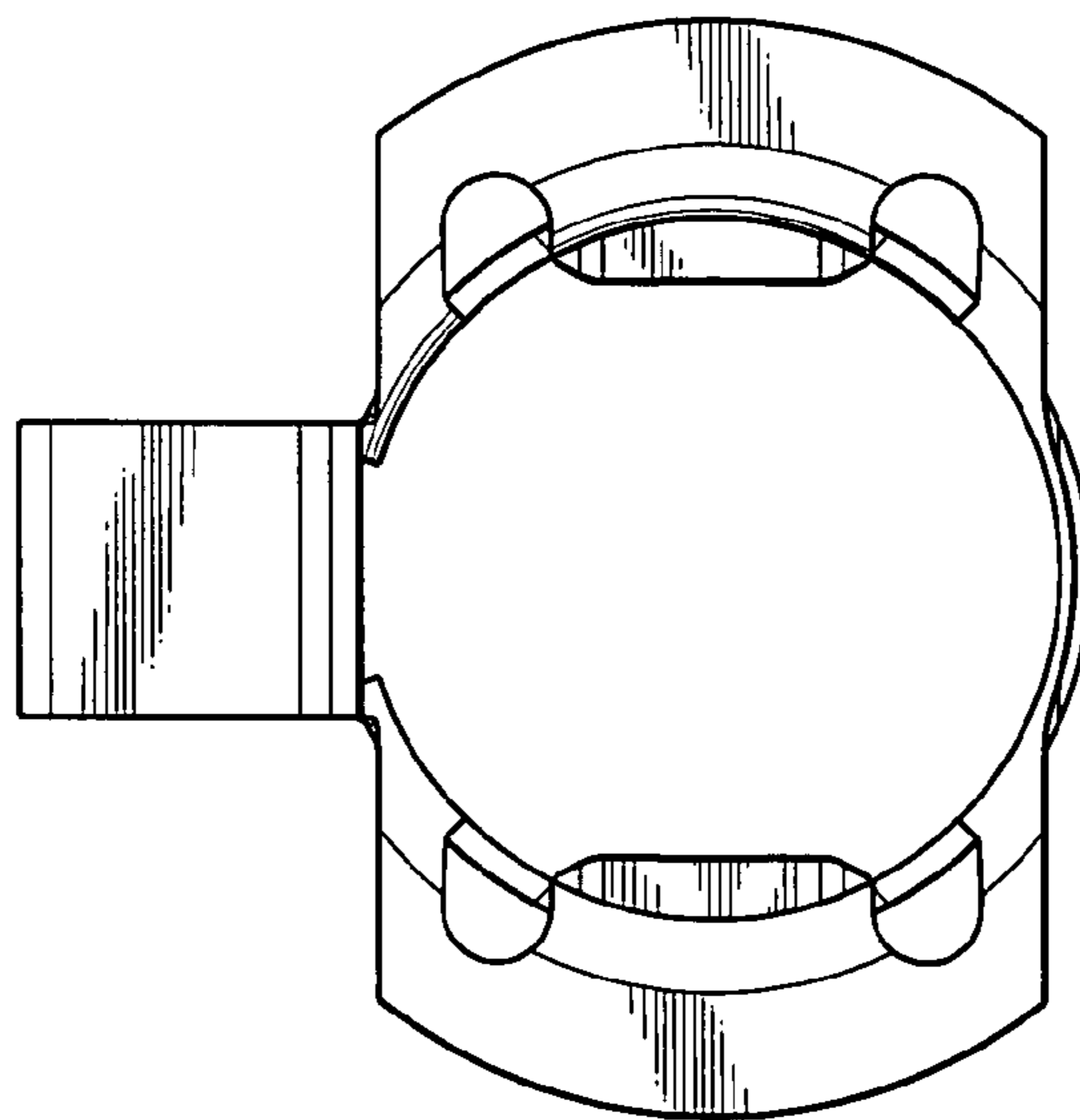
FIG. 7 is a rear elevational view thereof.

**1 Claim, 3 Drawing Sheets**

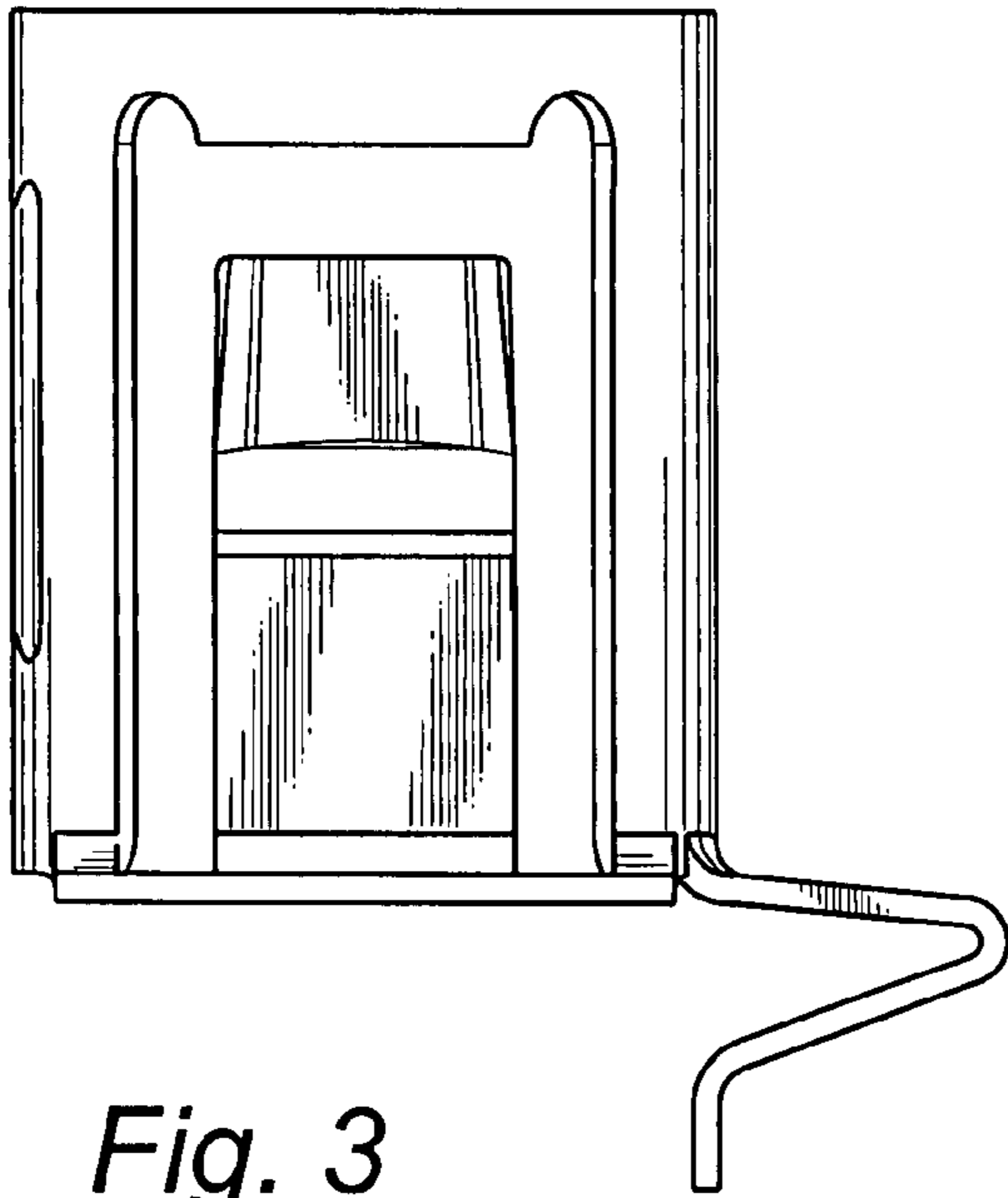




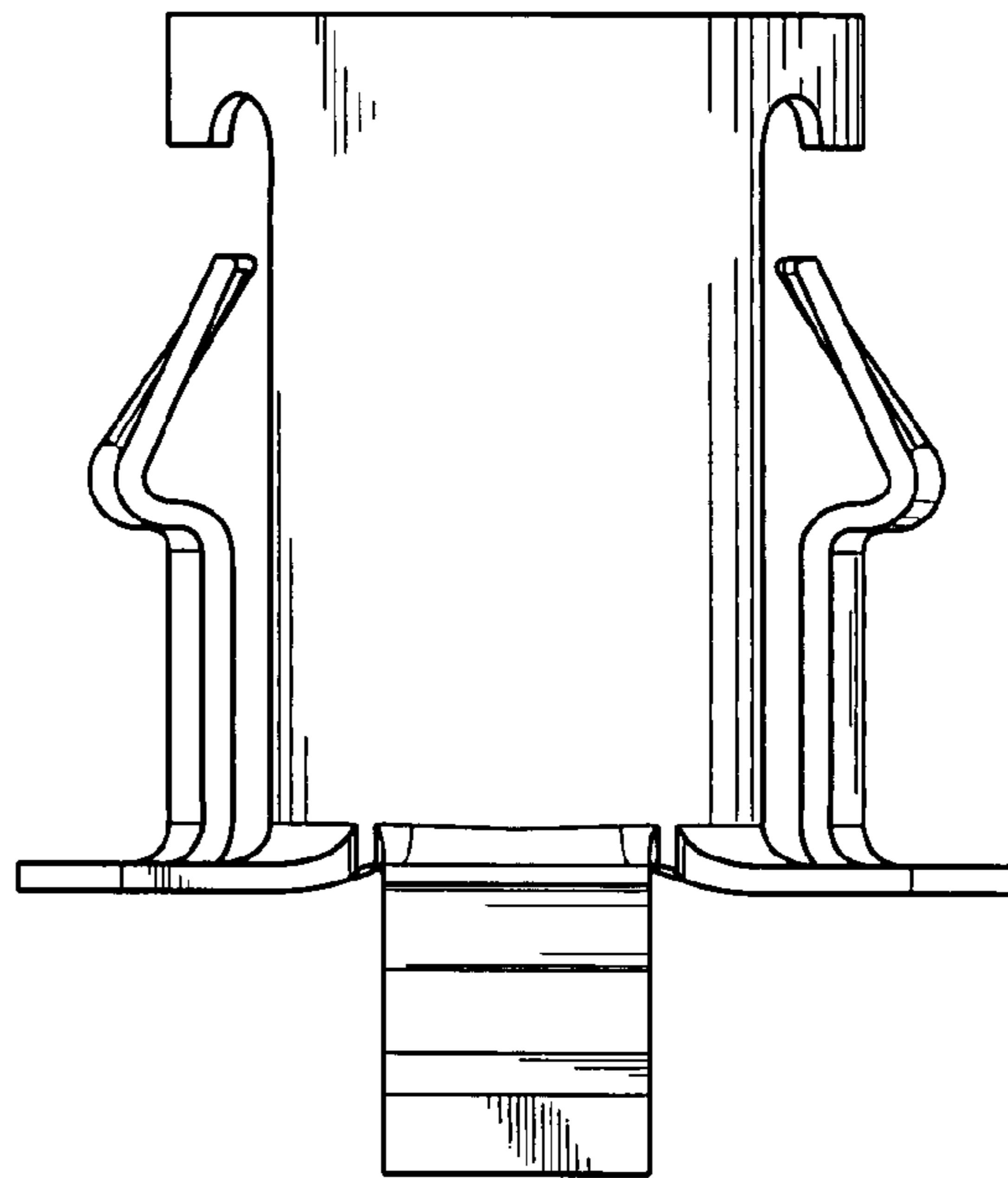
*Fig. 1*



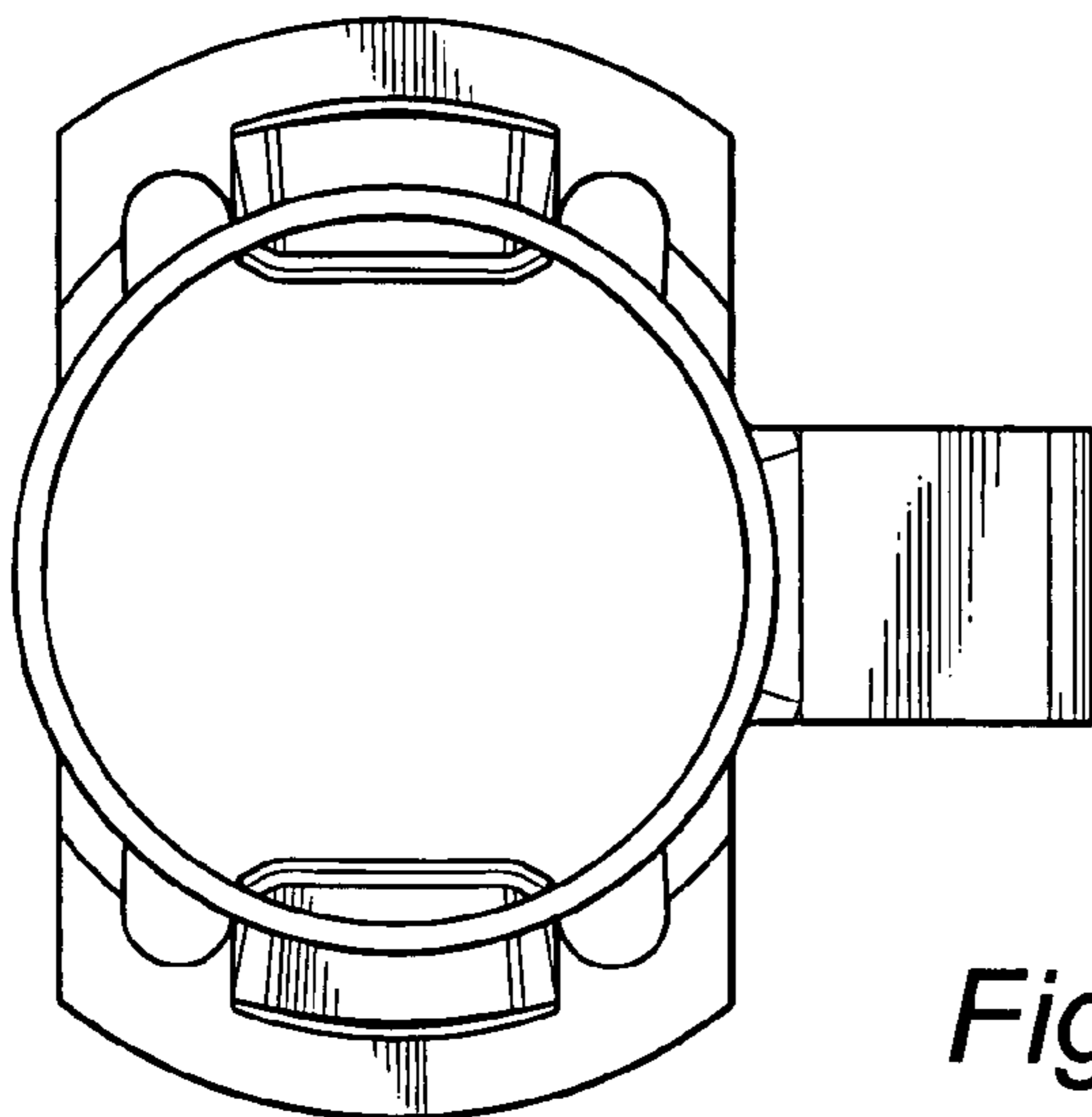
*Fig. 2*



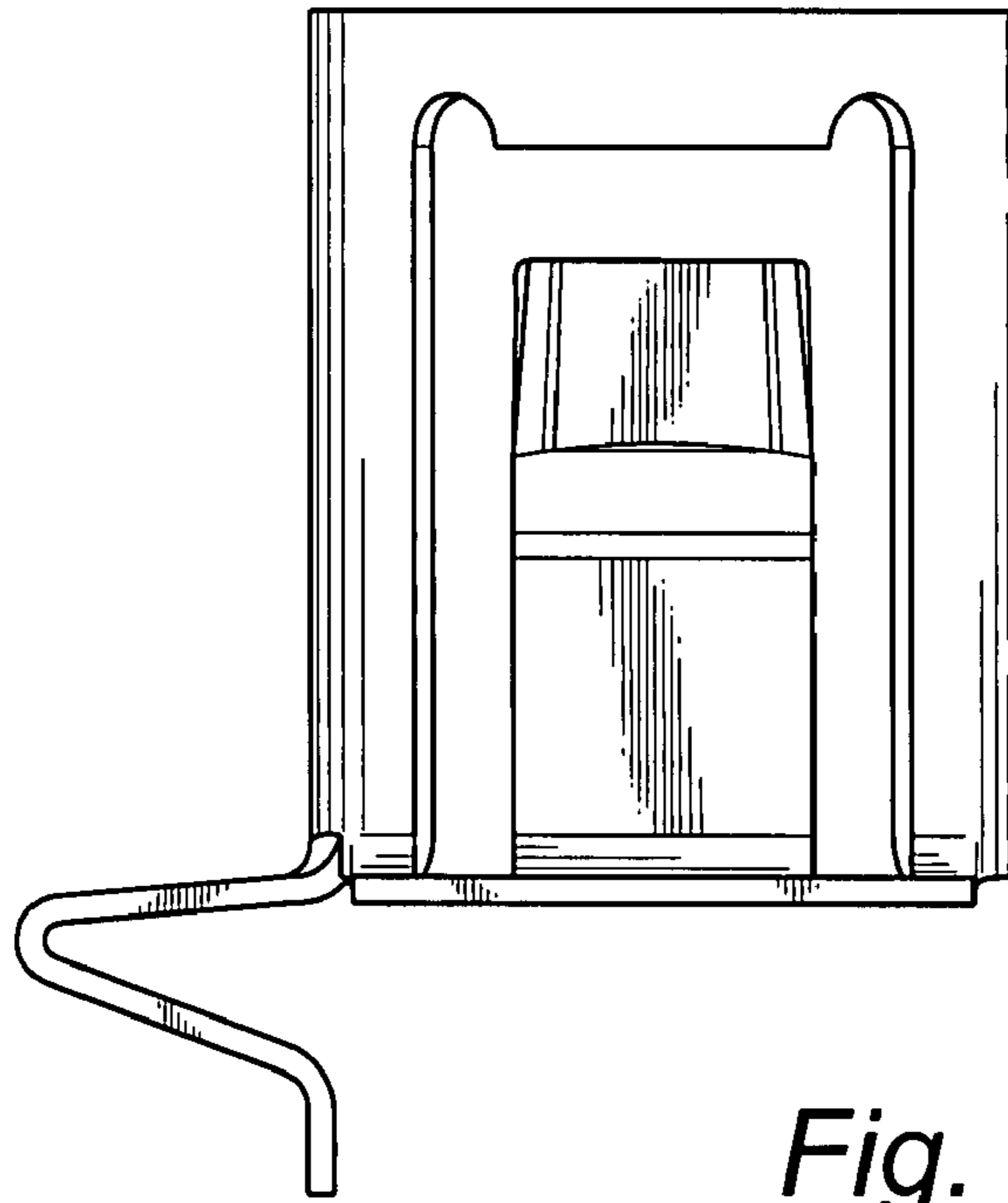
*Fig. 3*



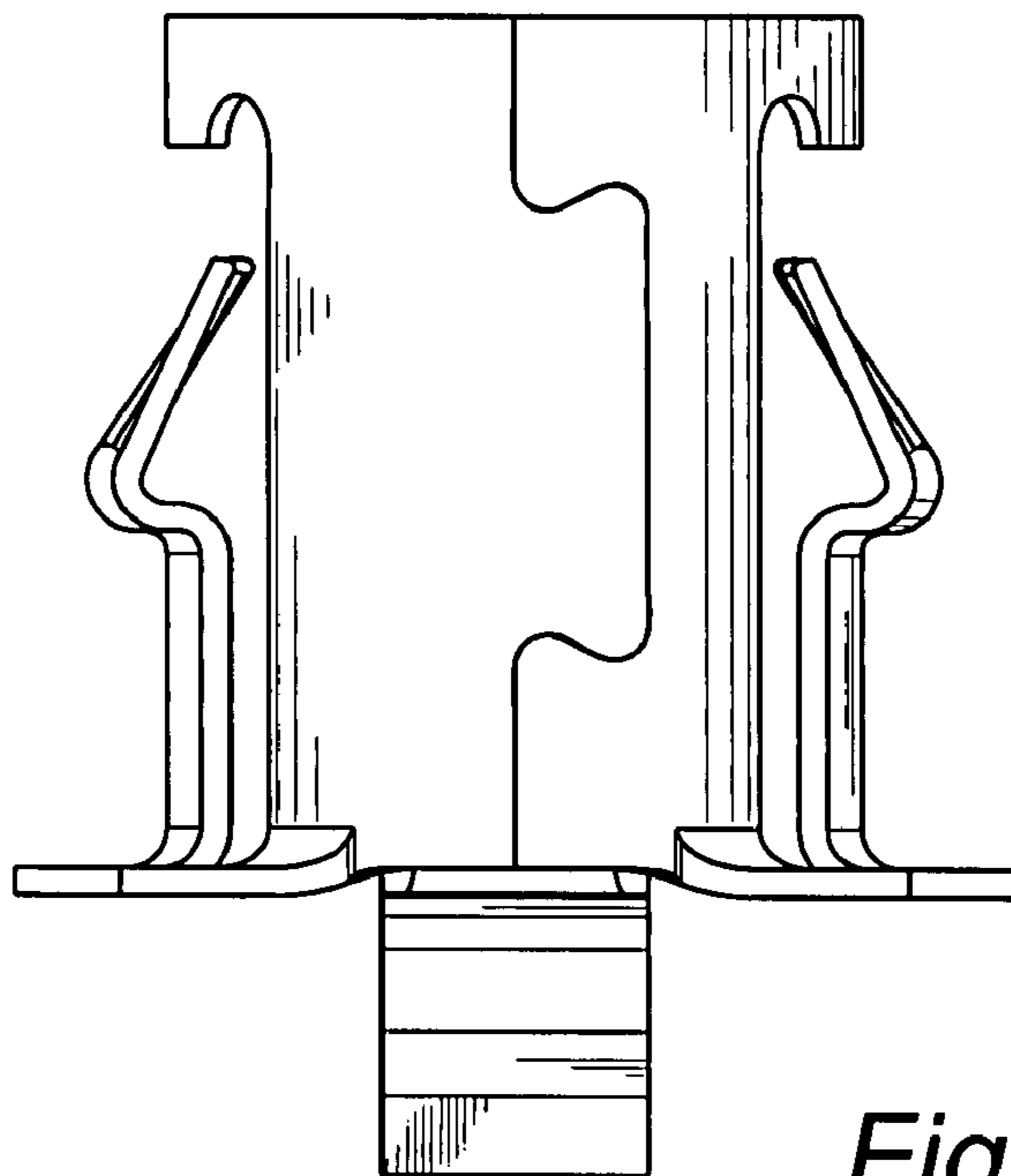
*Fig. 4*



*Fig. 5*



*Fig. 6*



*Fig. 7*