



US00D573452S

(12) **United States Design Patent**
Graffunder et al.

(10) **Patent No.:** **US D573,452 S**
(45) **Date of Patent:** **** Jul. 22, 2008**

(54) **CASTER**

(75) Inventors: **Gabriele Graffunder**, Wuppertal (DE);
Winfried Venne, Wuppertal (DE)

(73) Assignee: **TENTE GmbH & Co. KG**,
Wermelskirchen (DE)

(**) Term: **14 Years**

(21) Appl. No.: **29/272,624**

(22) Filed: **Feb. 13, 2007**

(30) **Foreign Application Priority Data**

Aug. 16, 2006 (DE) 4 06 04 276

(51) **LOC (8) Cl.** **08-05**

(52) **U.S. Cl.** **D8/375**

(58) **Field of Classification Search** D8/375;
D34/27; D3/318; D12/501, 209, 208, 207;
188/1.12; 16/47, 46, 45, 35 R, 35 D, 31 R,
16/29, 22, 18 R, 18 CG

See application file for complete search history.

(56) **References Cited**

U.S. PATENT DOCUMENTS

D448,278 S * 9/2001 Chi D8/375

D486,382 S * 2/2004 Sedgwick et al. D8/375
D505,316 S * 5/2005 Topel D8/375
2007/0089265 A1 * 4/2007 Lin 16/35 R

* cited by examiner

Primary Examiner—Gary D. Watson

Assistant Examiner—Susan Bennett Hattan

(74) *Attorney, Agent, or Firm*—Collard & Roe, P.C.

(57) **CLAIM**

The ornamental design for a caster, as shown and described.

DESCRIPTION

FIG. 1 shows a side view of my design for a caster;
FIG. 2 shows a front view thereof;
FIG. 3 shows an opposite side view thereof;
FIG. 4 shows a rear view thereof;
FIG. 5 shows a top view thereof;
FIG. 6 shows a bottom view thereof; and,
FIG. 7 shows a perspective view thereof.

1 Claim, 4 Drawing Sheets

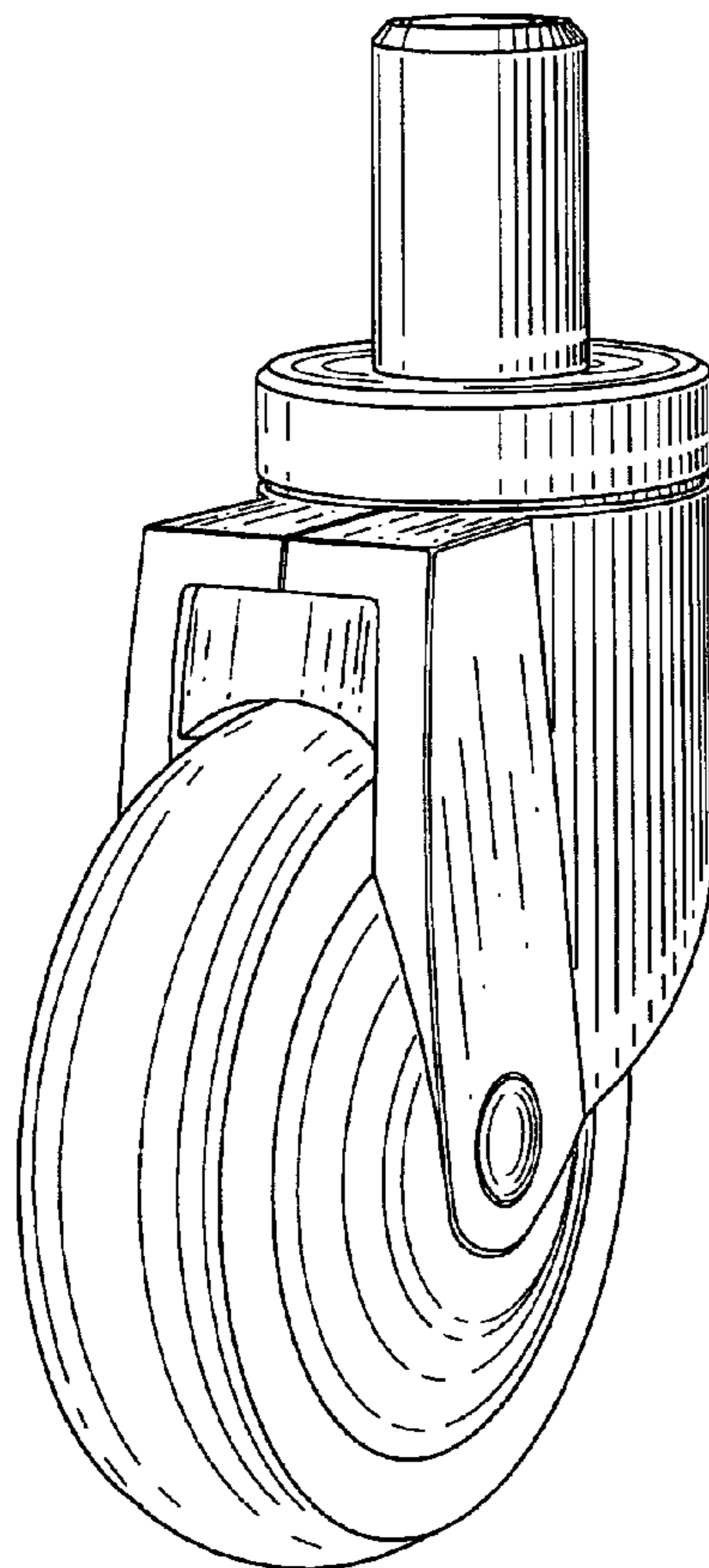


FIG.1

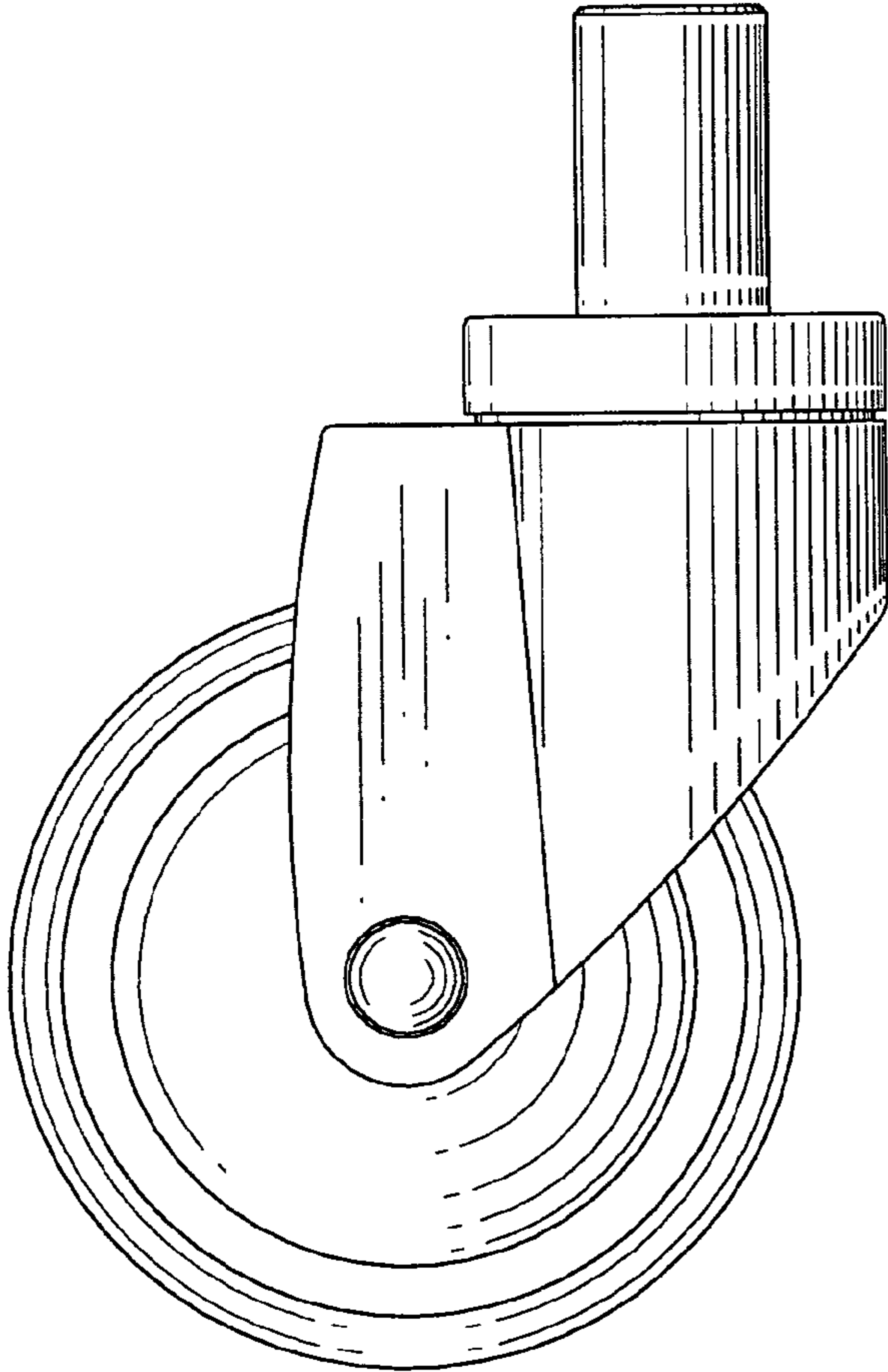


FIG.2

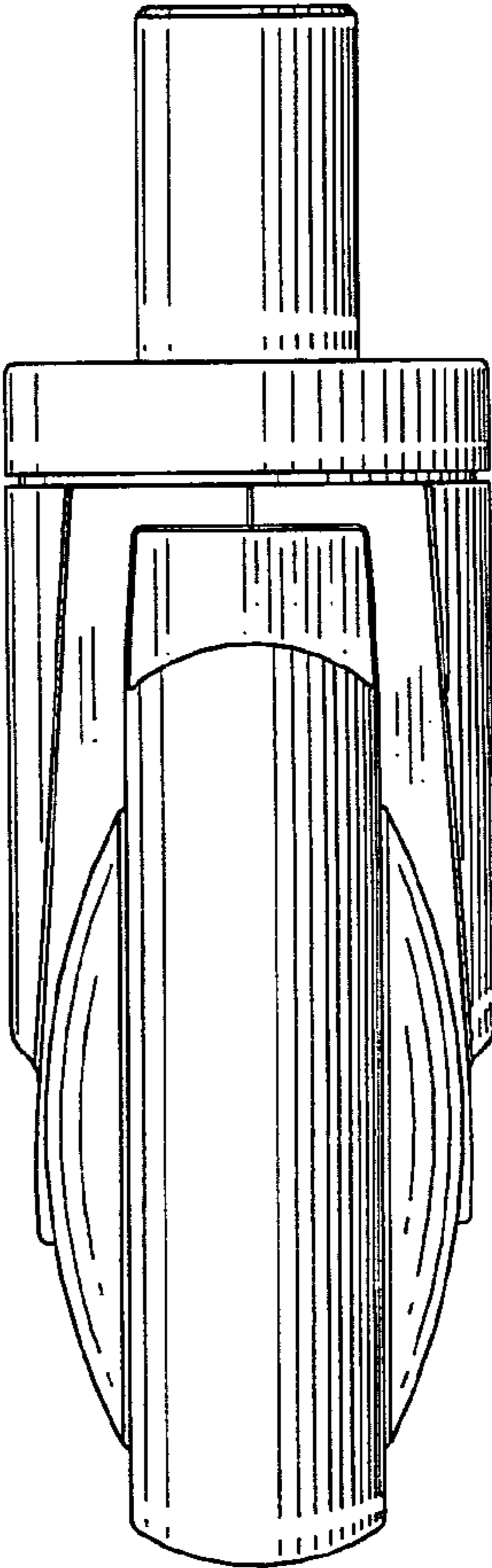


FIG.3

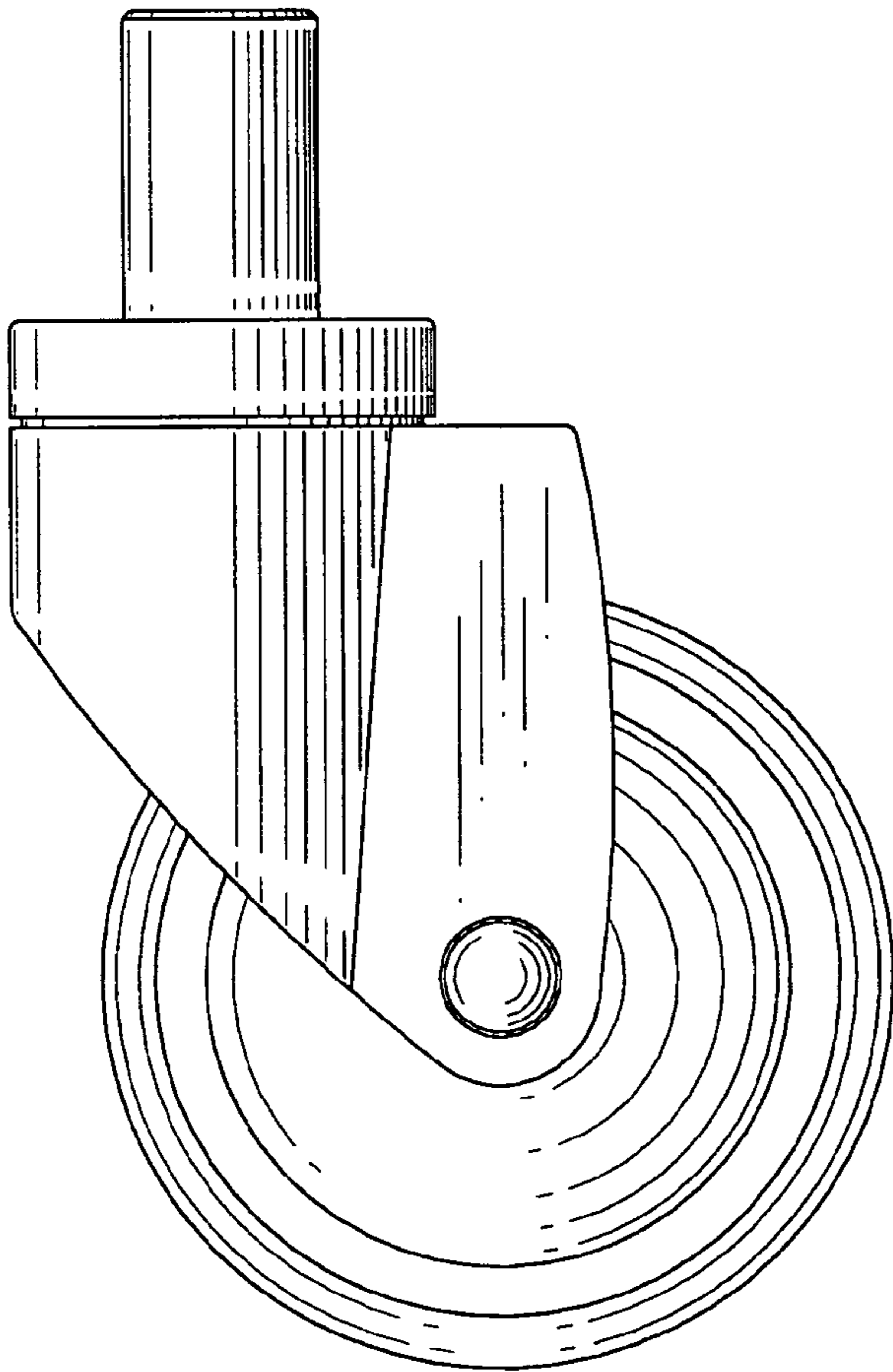


FIG.4

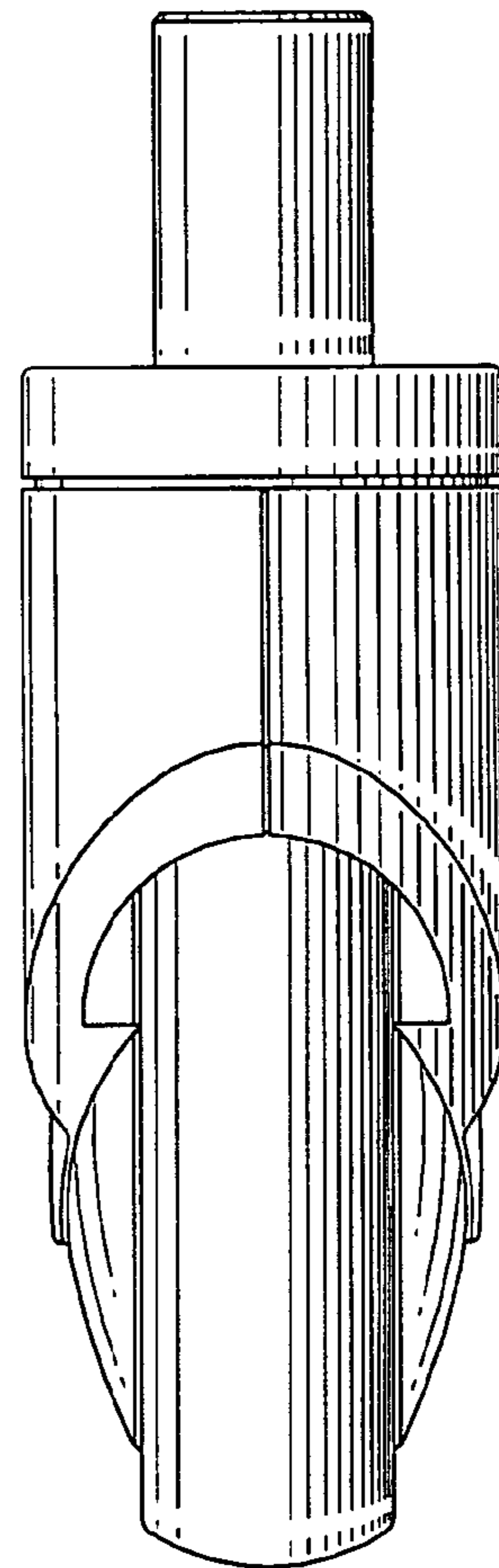


FIG.5

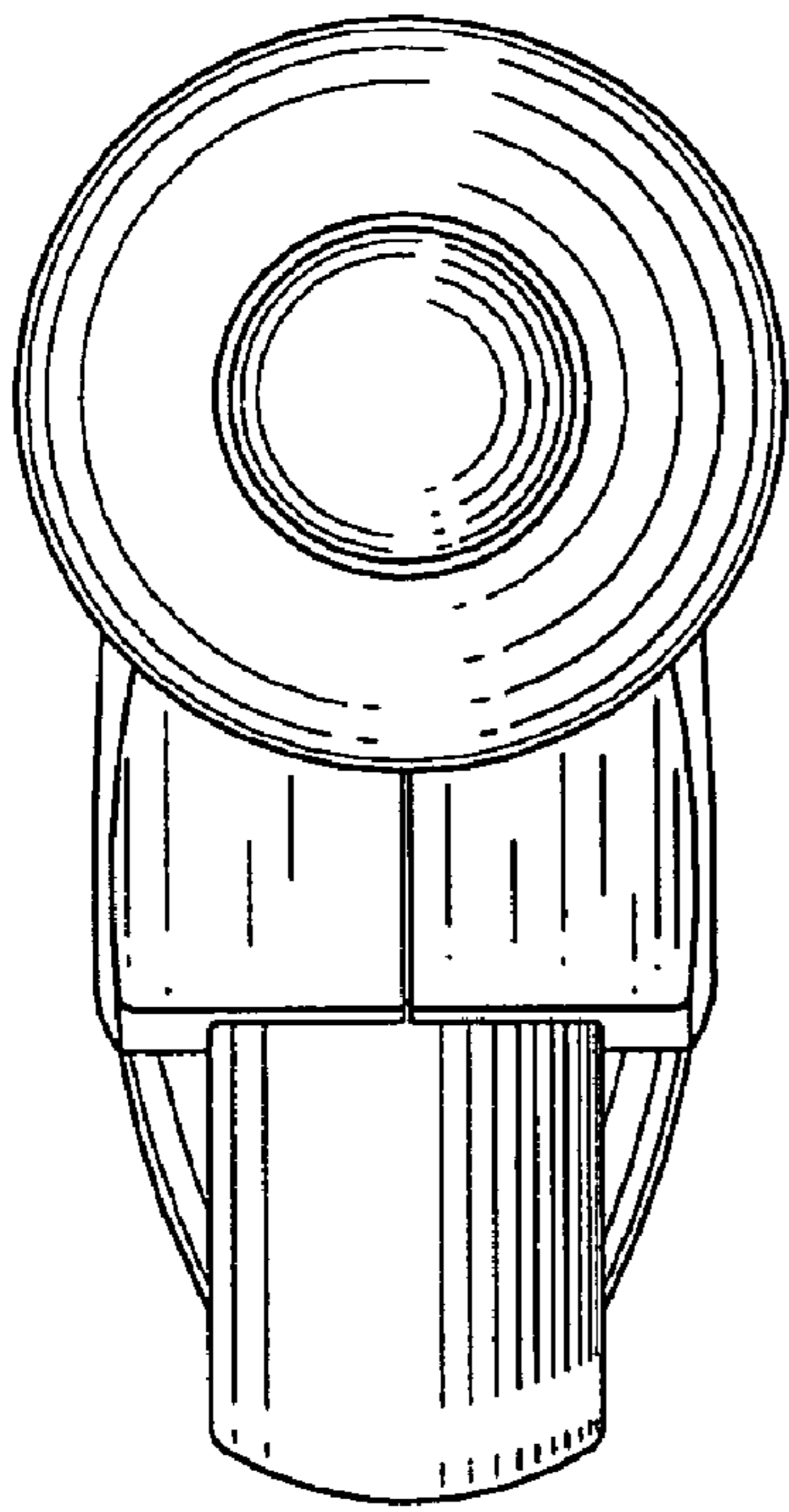


FIG.6

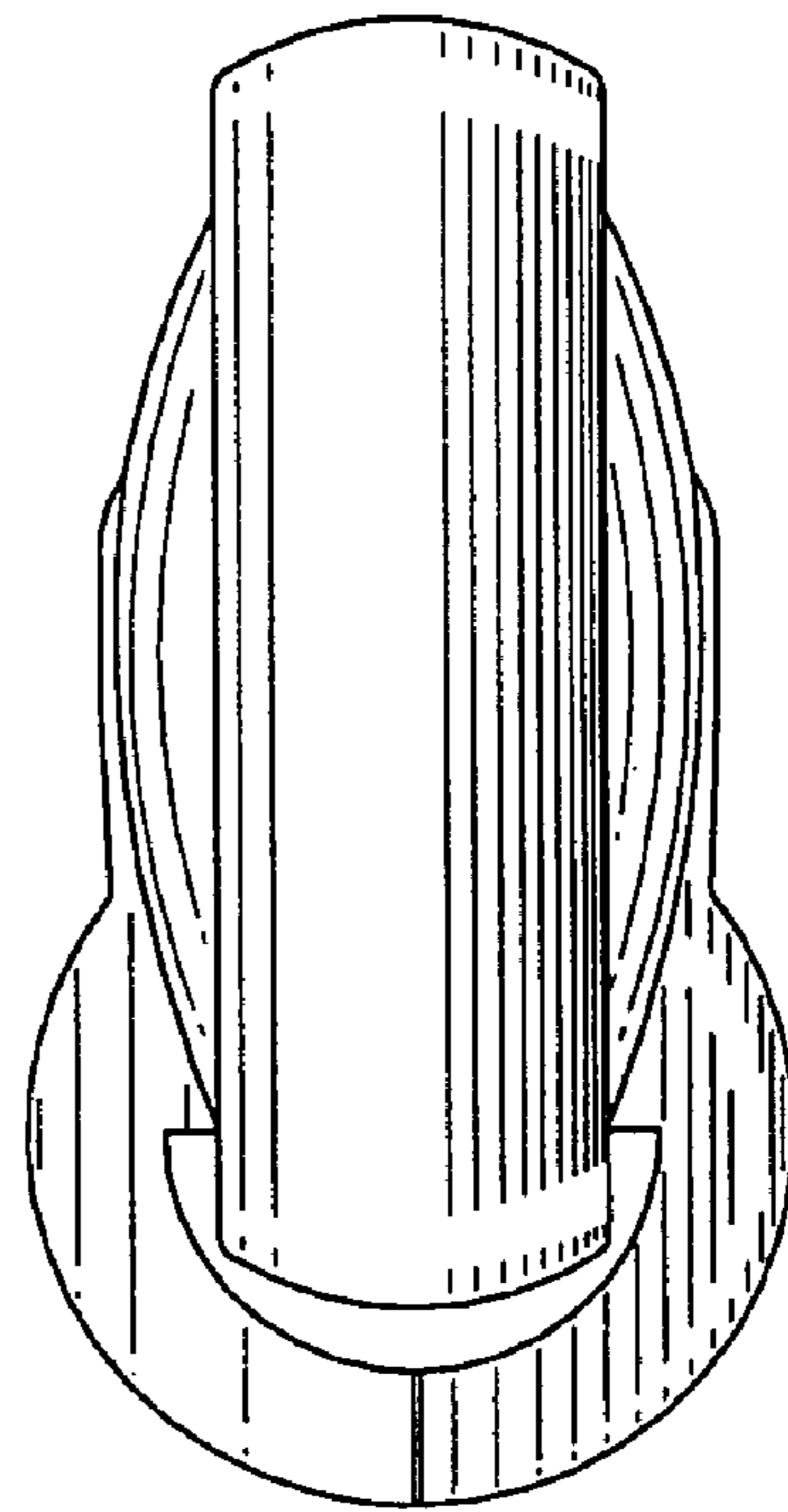


FIG.7

